

Digital Audio Processing

for D950

- 1. Control System**
- 2. DSP Core**
- 3. PE / PEAES Board**
- 4. MADI / MEMNET Board**
- 5. DI9m Frames**
- 6. DI9m Input Interface Cards**
- 7. DI9m Output Interface Cards**
- 8. DI9m Connection Units**

Prepared and edited by
Studer Professional Audio GmbH
Technical Documentation
Althardstrasse 30
CH-8105 Regensdorf – Switzerland
<http://www.studer.ch>

Copyright by Studer Professional Audio GmbH
Printed in Switzerland
Order no. 10.27.4340 (Ed. 0303)

Subject to change

CONTENTS OF DIAGRAM SECTIONS, NUMERICAL ORDER

Assembly No.	Assembly	Section
1.940.480.20	D19m TDIF In	6
1.940.481.20	D19m TDIF In with AES Out	6
1.940.485.20	D19m TDIF Out	7
1.940.486.20	D19m TDIF Out with AES In	7
1.940.490.22	D19m Alesis ADAT In	6
1.940.491.22	D19m Alesis ADAT In with AES Out	6
1.940.495.20	D19m Alesis ADAT Out	7
1.940.496.20	D19m Alesis ADAT Out with AES In	7
1.940.500	Block Diagram D19m MADI Coaxial	7
1.940.500.21	D19m MADI Coaxial	7
1.940.510	Block Diagram MADI Optical	7
1.940.510.21	D19m MADI Optical	7
1.940.511.21	D19m MADI Optical	7
1.940.520	Block Diagram D19m MADO Coaxial	6
1.940.520.21	D19m MADO Coaxial	6
1.940.530	Block Diagram MADO Optical	6
1.940.530.21	D19m MADO Optical	6
1.940.531.20	D19m MADO Optical	6
1.940.540	Block Diagram D19m SFC Board	6
1.940.540.23	D19m SFC Board	6
1.940.550.00	Back Plane	5
1.940.551.00	Back Plane MkII	5
1.940.557.00	D19m Sync Receiver	5
1.940.558.00	Optical/Coax Interface	5
1.940.560.21	D19m C4 AD Board	6
1.940.561.21	D19m C4 AD NS Board	6
1.940.570.21	D19m C4 DA Board 24 Bit	7
1.940.571.21	D19m DA Board 24 Bit	7
1.940.575.22	D19m MicLine Input Board	6
1.940.576.22	Processor Board	6
1.940.577.00	RS422 to Optical Converter	7
1.940.579.00	RS422 to Optical Converter	7
1.940.580.21	D19m AESI Board	6
1.940.585.22	D19m AESO Board	7
1.940.589.00	Supply Status Board	5
1.940.592.00	D19m Rack Bus 5/15	5
1.940.593.00	Supply Status Board	5
1.940.596.81	Fan Regulation	5
1.940.606.00	Power Supply 5 V/16 A	5
1.940.607.00	Power Supply ± 15 V/3.5 A	5
1.940.610.00	Connection Board S39m C4AD/C4DA Card	8
1.940.611.00	Connection Board BNC AESI-Card	8
1.940.612.00	Connection Board BNC AESO-Card	8
1.940.613.00	Connection Board S30f-C4AD	8
1.940.614.00	Connection Board S30m-C4DA	8
1.940.615.00	Connection Board D15f AESI-Card	8
1.940.616.81	Connection Board D15m AESO-Card	8
1.940.617.81	XLR Connection AES/EBU Input	8
1.940.618.81	XLR Connection AES/EBU Output	8
1.940.619.81	D25+D25 Connection Unit	8
1.940.625.00	Connection Board D15f C4AD-Card	8
1.940.626.00	Connection Board D15m C4DA-Card	8

Assembly No.	Assembly	Section
1.940.627.81	XLR Connection Analog Input	8
1.940.628.81	XLR Connection Analog Output	8
1.940.630.81	Control Connection	5
1.940.635.00	Connection Board 2xD15f 8xAESI-Card	8
1.940.636.00	Connection Board 2xD15m 8xAFSO-Card	8
1.940.637.81	XLR Connection 4xAES/EBU Input	8
1.940.638.81	XLR Connection 4xAES/EBU Output	8
1.950.300	Block Diagram Control System	1
1.950.597.81	PSU Back Plane	2
1.950.598.00	PSU Connection Board	2
1.950.601.00	Power Supply 5V/100A	2
1.950.605	Block Diagram PEAES Board	3
1.950.605.26	PEAES Board	3
1.950.610	Block Diagram PE Board	3
1.950.610.26	PE Board	3
1.950.616.20	MADI Board 96k	4
1.950.621.20	MEMNET Board 96k	4
1.950.650	Block Diagram Core Back Plane	2
1.950.650.00	Core Back Plane	2
1.950.690	Block Diagram Core	2

CONTENTS OF DIAGRAM SECTIONS, ALPHABETICAL ORDER

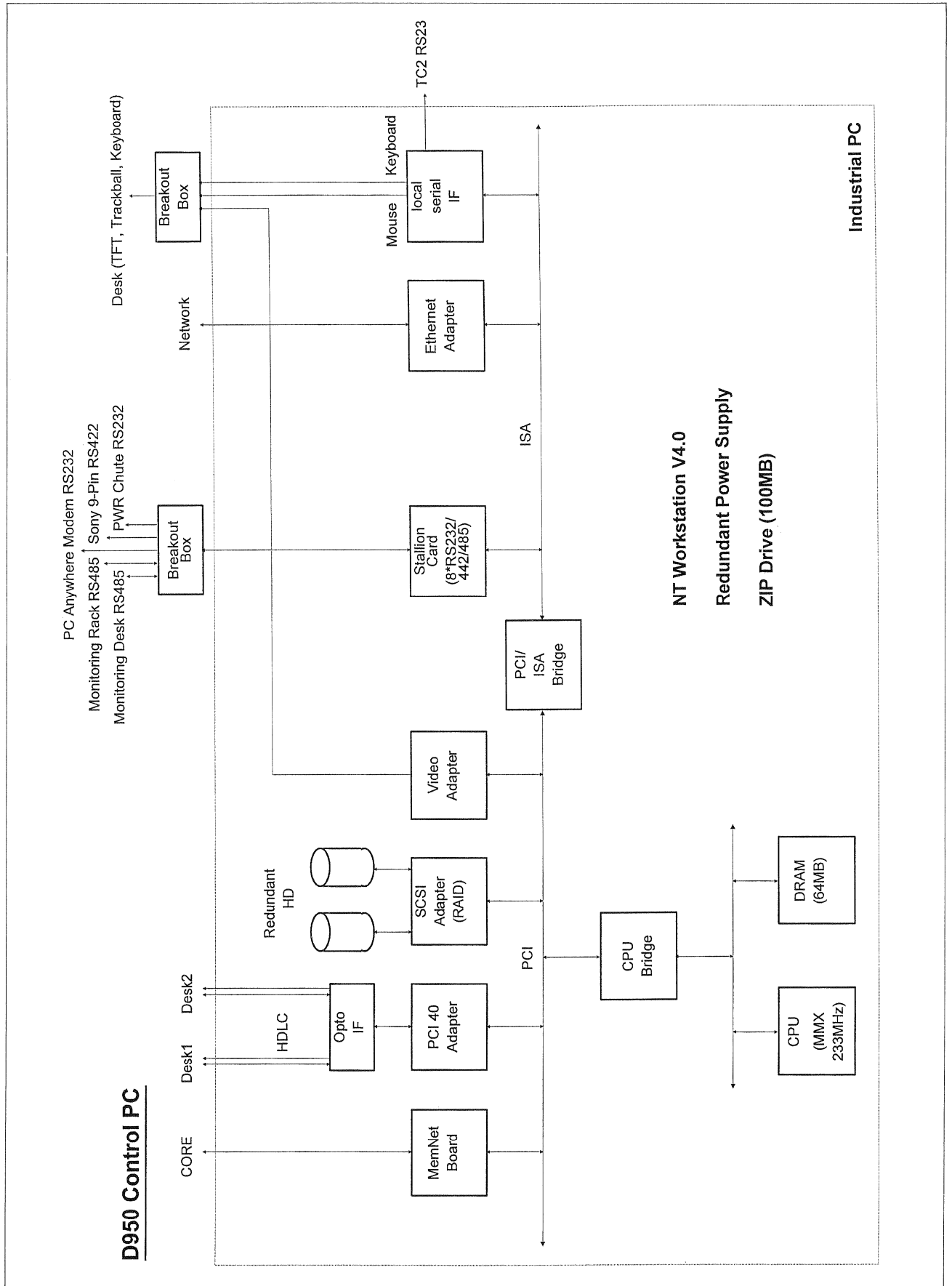
Assembly	Assembly No.	Section
Back Plane	1.940.550.00	5
Back Plane MkII	1.940.551.00	5
Block Diagram Control System	1.950.300	1
Block Diagram Core	1.950.690	2
Block Diagram Core Back Plane	1.950.650	2
Block Diagram D19m MADl Coaxial	1.940.500	7
Block Diagram D19m MAD0 Coaxial	1.940.520	6
Block Diagram D19m SFC Board	1.940.540	6
Block Diagram MADl Optical	1.940.510	7
Block Diagram MAD0 Optical	1.940.530	6
Block Diagram PE Board	1.950.610	3
Block Diagram PEAES Board	1.950.605	3
Connection Board 2xD15f 8xAESI-Card	1.940.635.00	8
Connection Board 2xD15m 8xAESO-Card	1.940.636.00	8
Connection Board BNC AESI-Card	1.940.611.00	8
Connection Board BNC AESO-Card	1.940.612.00	8
Connection Board D15f AESI-Card	1.940.615.00	8
Connection Board D15f C4AD-Card	1.940.625.00	8
Connection Board D15m AESO-Card	1.940.616.81	8
Connection Board D15m C4DA-Card	1.940.626.00	8
Connection Board S30f-C4AD	1.940.613.00	8
Connection Board S30m-C4DA	1.940.614.00	8
Connection Board S39m C4AD/C4DA Card	1.940.610.00	8
Control Connection	1.940.630.81	5
Core Back Plane	1.950.650.00	2
D19m AESI Board	1.940.580.21	6
D19m AESO Board	1.940.585.22	7
D19m Alesis ADAT In	1.940.490.22	6
D19m Alesis ADAT In with AES Out	1.940.491.22	6
D19m Alesis ADAT Out	1.940.495.20	7
D19m Alesis ADAT Out with AES In	1.940.496.20	7
D19m C4 AD Board	1.940.560.21	6
D19m C4 AD NS Board	1.940.561.21	6
D19m C4 DA Board 24 Bit	1.940.570.21	7
D19m DA Board 24 Bit	1.940.571.21	7
D19m MADl Coaxial	1.940.500.21	7
D19m MADl Optical	1.940.510.21	7
D19m MADl Optical	1.940.511.21	7
D19m MAD0 Coaxial	1.940.520.21	6
D19m MAD0 Optical	1.940.530.21	6
D19m MAD0 Optical	1.940.531.20	6
D19m MicLine Input Board	1.940.575.22	6
D19m Rack Bus 5/15	1.940.592.00	5
D19m SFC Board	1.940.540.23	6
D19m Sync Receiver	1.940.557.00	5
D19m TDIF In	1.940.480.20	6
D19m TDIF In with AES Out	1.940.481.20	6
D19m TDIF Out	1.940.485.20	7
D19m TDIF Out with AES In	1.940.486.20	7
D25+D25 Connection Unit	1.940.619.81	8
Fan Regulation	1.940.596.81	5
MADl Board 96k	1.950.616.20	4

Assembly	Assembly No.	Section
MEMNET Board 96k	1.950.621.20	4
Optical/Coax Interface	1.940.558.00	5
PE Board	1.950.610.26	3
PEAES Board	1.950.605.26	3
Power Supply ± 15 V/3.5 A	1.940.607.00	5
Power Supply 5 V/16 A	1.940.606.00	5
Power Supply 5V/100A	1.950.601.00	2
Processor Board	1.940.576.22	6
PSU Back Plane	1.950.597.81	2
PSU Connection Board	1.950.598.00	2
RS422 to Optical Converter	1.940.577.00	7
RS422 to Optical Converter	1.940.579.00	7
Supply Status Board	1.940.589.00	5
Supply Status Board	1.940.593.00	5
XLR Connection 4xAES/EBU Input	1.940.637.81	8
XLR Connection 4xAES/EBU Output	1.940.638.81	8
XLR Connection AES/EBU Input	1.940.617.81	8
XLR Connection AES/EBU Output	1.940.618.81	8
XLR Connection Analog Input	1.940.627.81	8
XLR Connection Analog Output	1.940.628.81	8

DIAGRAMS CONTROL SYSTEM

	Assembly No.	Diagram	Component Layout	Parts List
<i>Block Diagram Control System</i>	<i>1.950.300</i>	-	-	-

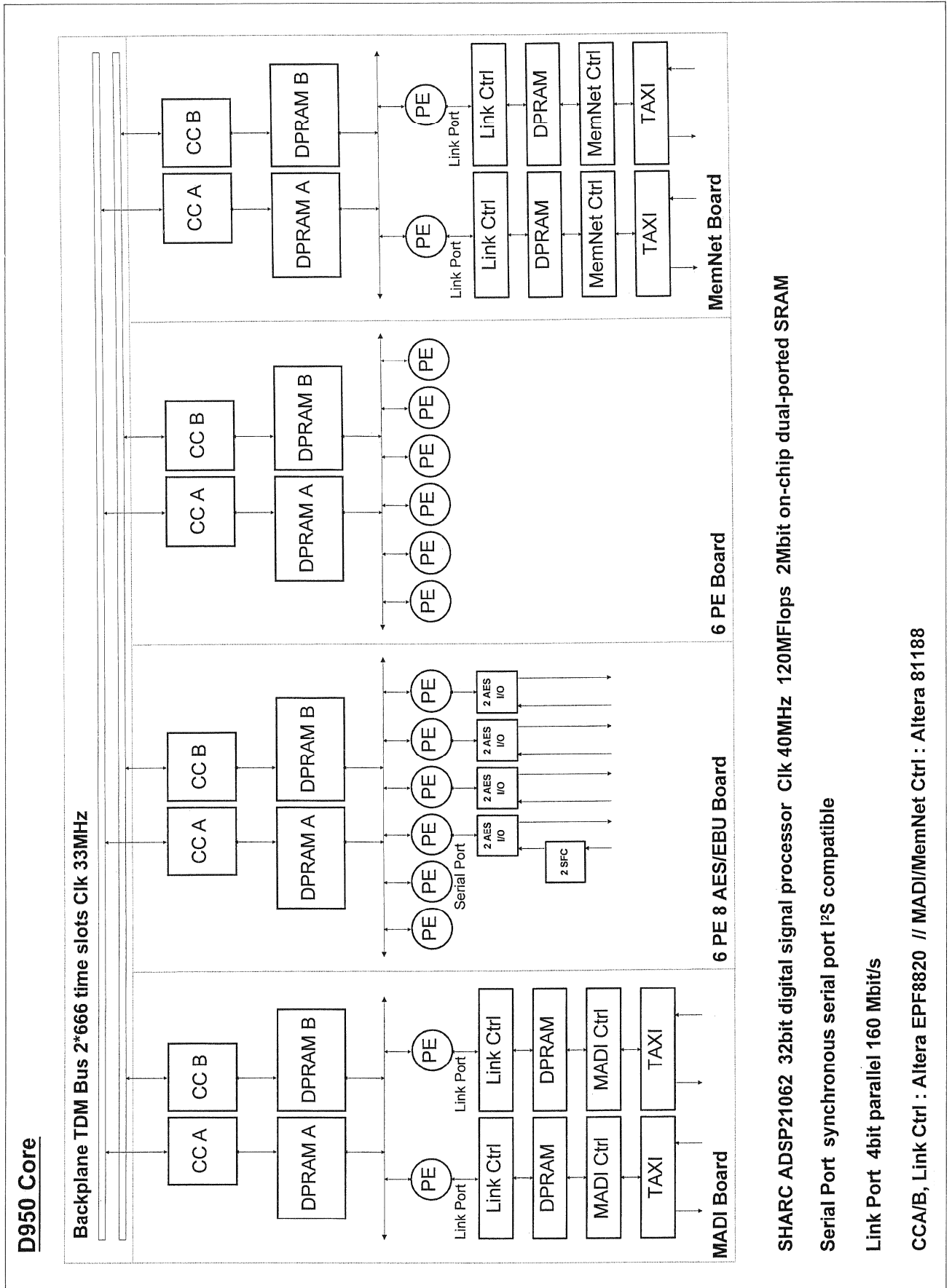
Block Diagram
Control System I.950.300.00



DIAGRAMS DSP CORE

	Assembly No.	Diagram	Component Layout	Parts List
<i>Block Diagram Core</i>	<i>1.950.690</i>	-	-	-
Power Supply 5V/100A	1.950.601.00	-	.00	-
PSU Back Plane	1.950.597.81	.81	.81	.81
PSU Connection Board	1.950.598.00	.00	.00	.00
<i>Block Diagram Core Back Plane</i>	<i>1.950.650</i>	-	-	-
Core Back Plane	1.950.650.00	.00	.00	.00

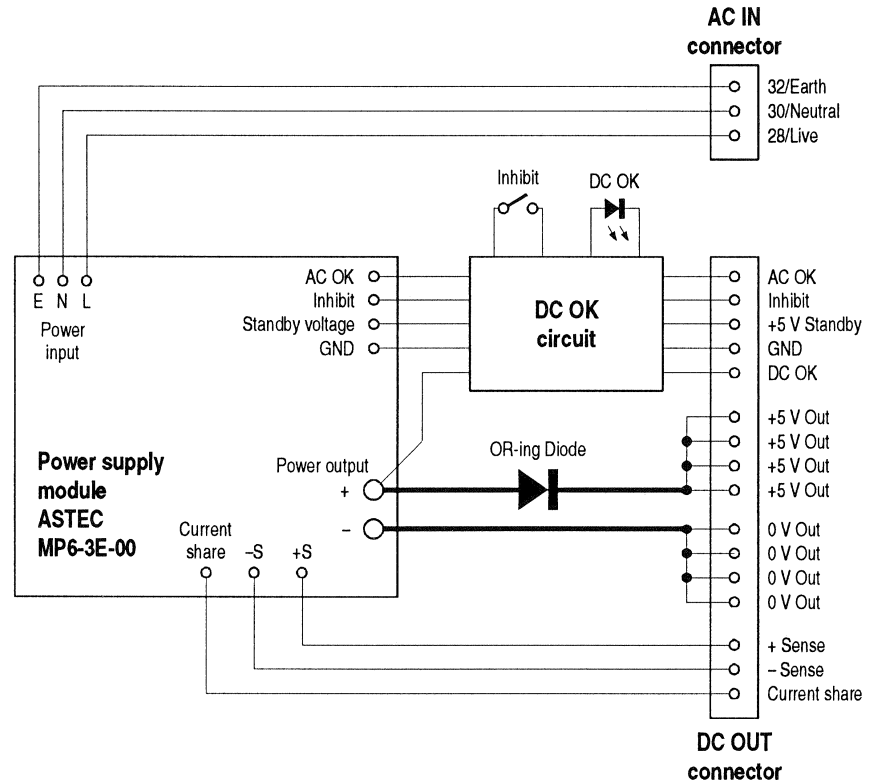
Block Diagram
Core I.950.690.81



2 POWER SUPPLY UNIT

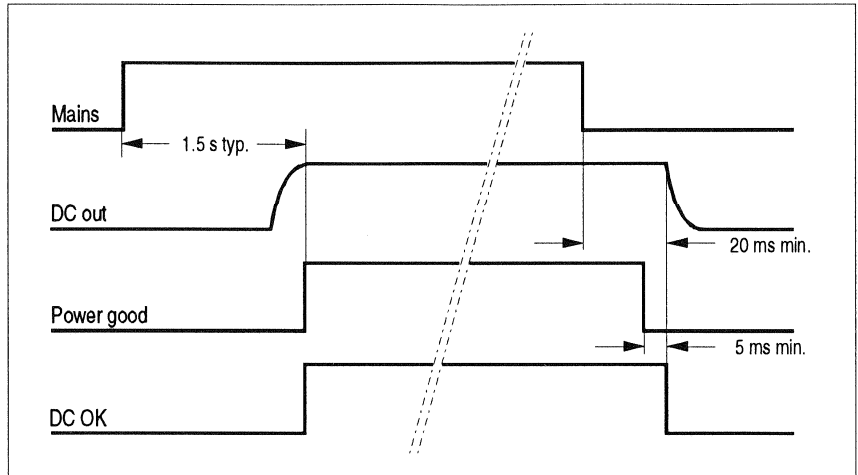
1.950.601.00

2.1 Block diagram

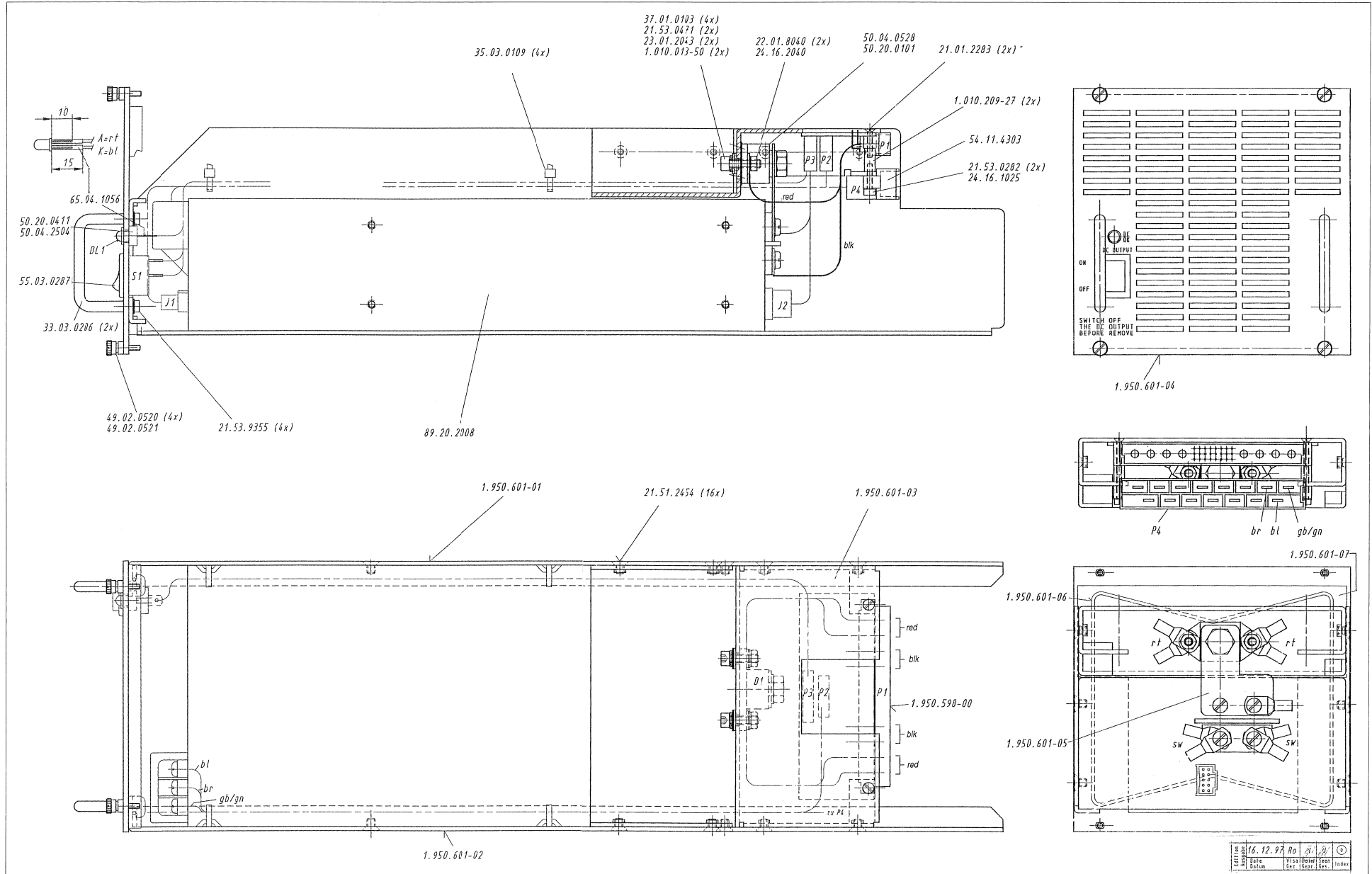


2.2 Specifications

- Mains voltages:** 100...240 V_{AC} ±10%
- Power factor:** 0.99 typ.
- Mains frequency:** 47...440 Hz
- Efficiency:** typ. 70%
- Output power:** 5 V/100 A
Integrated OR-ing diode for N+1 redundancy operation.
- Output:** Short-circuit, overcurrent, overvoltage, and thermal protection.
- Power down (logic inhibit):** Control input, TTL compatible, active low.
- Power good:** Output, open collector, TTL compatible, active high.
- DC OK:** Output, open collector, TTL compatible, active high; and green LED indicator on the front panel.
- Standby voltage:** 5 V/250 mA
- Current share:** If individual unit outputs are in parallel, the "Single wire parallel" lines are tied together; this provides forced current sharing of the outputs. Can also be used as a relative current monitor, using a proportional voltage (2...6 V). *This output must not be loaded, a buffer has to be used.*

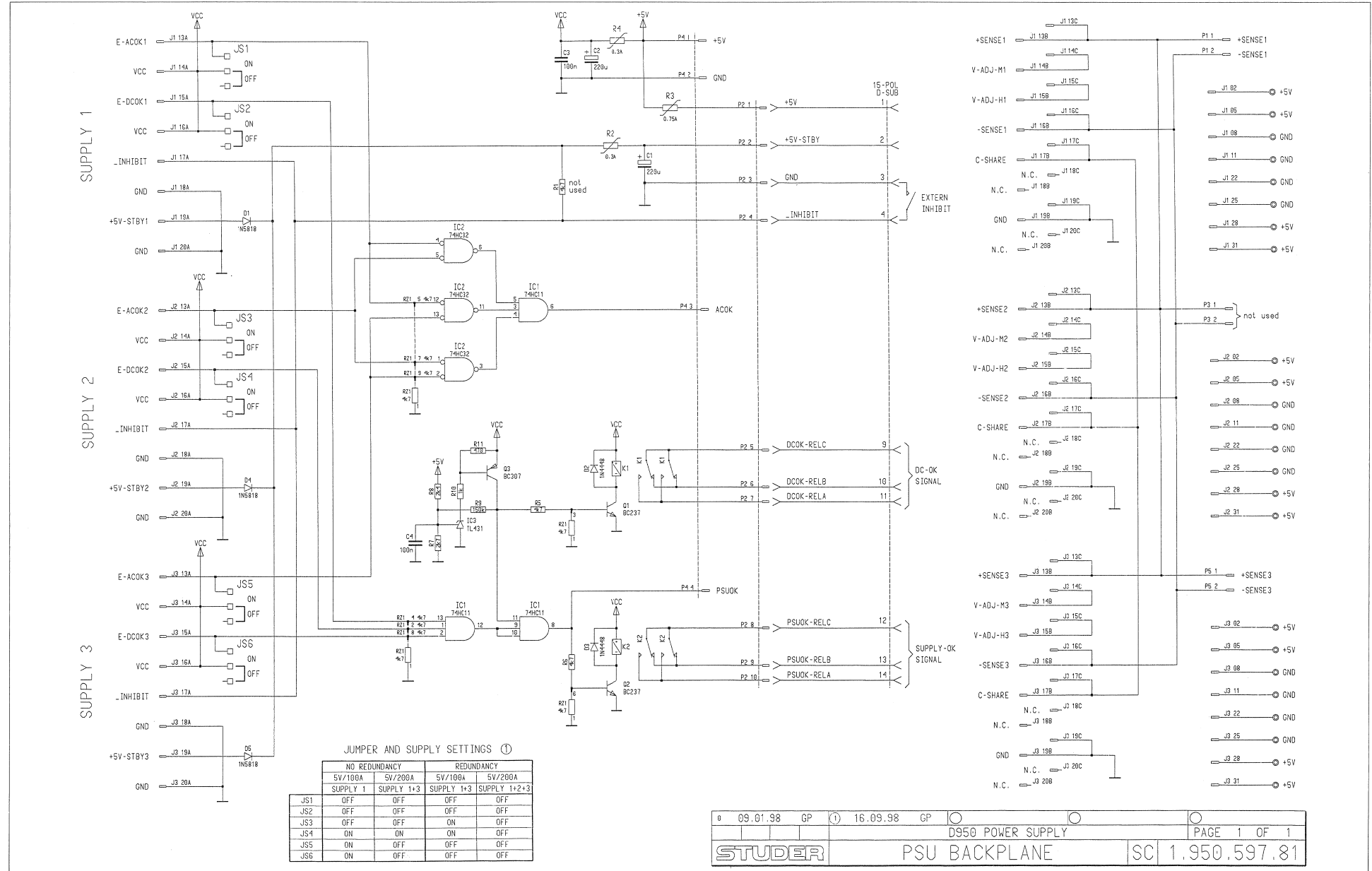


Power Supply 5V/100A 1.950.601.00





PSU Back Plane 1.950.597.81

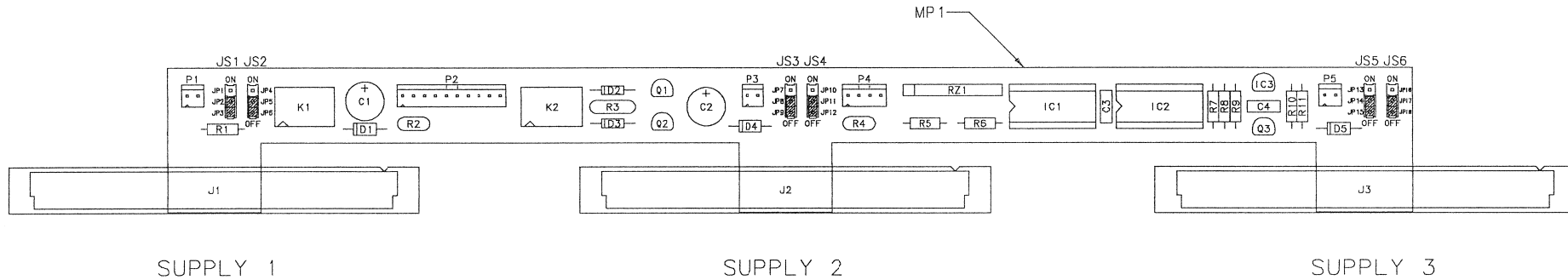


JUMPER AND SUPPLY SETTINGS ①

	NO REDUNDANCY		REDUNDANCY	
	5V/100A	5V/200A	5V/100A	5V/200A
	SUPPLY 1	SUPPLY 1+3	SUPPLY 1+3	SUPPLY 1+2+3
JS1	OFF	OFF	OFF	OFF
JS2	OFF	OFF	OFF	OFF
JS3	OFF	OFF	ON	OFF
JS4	ON	ON	ON	OFF
JS5	ON	OFF	OFF	OFF
JS6	ON	OFF	OFF	OFF



PSU Back Plane 1.950.597.81



JUMPER AND SUPPLY SETTINGS ①

	NO REDUNDANCY		REDUNDANCY	
	5V/100A	5V/200A	5V/100A	5V/200A
	SUPPLY 1	SUPPLY 1+3	SUPPLY 1+3	SUPPLY 1+2+3
JS1	OFF	OFF	OFF	OFF
JS2	OFF	OFF	OFF	OFF
JS3	OFF	OFF	ON	OFF
JS4	ON	ON	ON	OFF
JS5	ON	OFF	OFF	OFF
JS6	ON	OFF	OFF	OFF

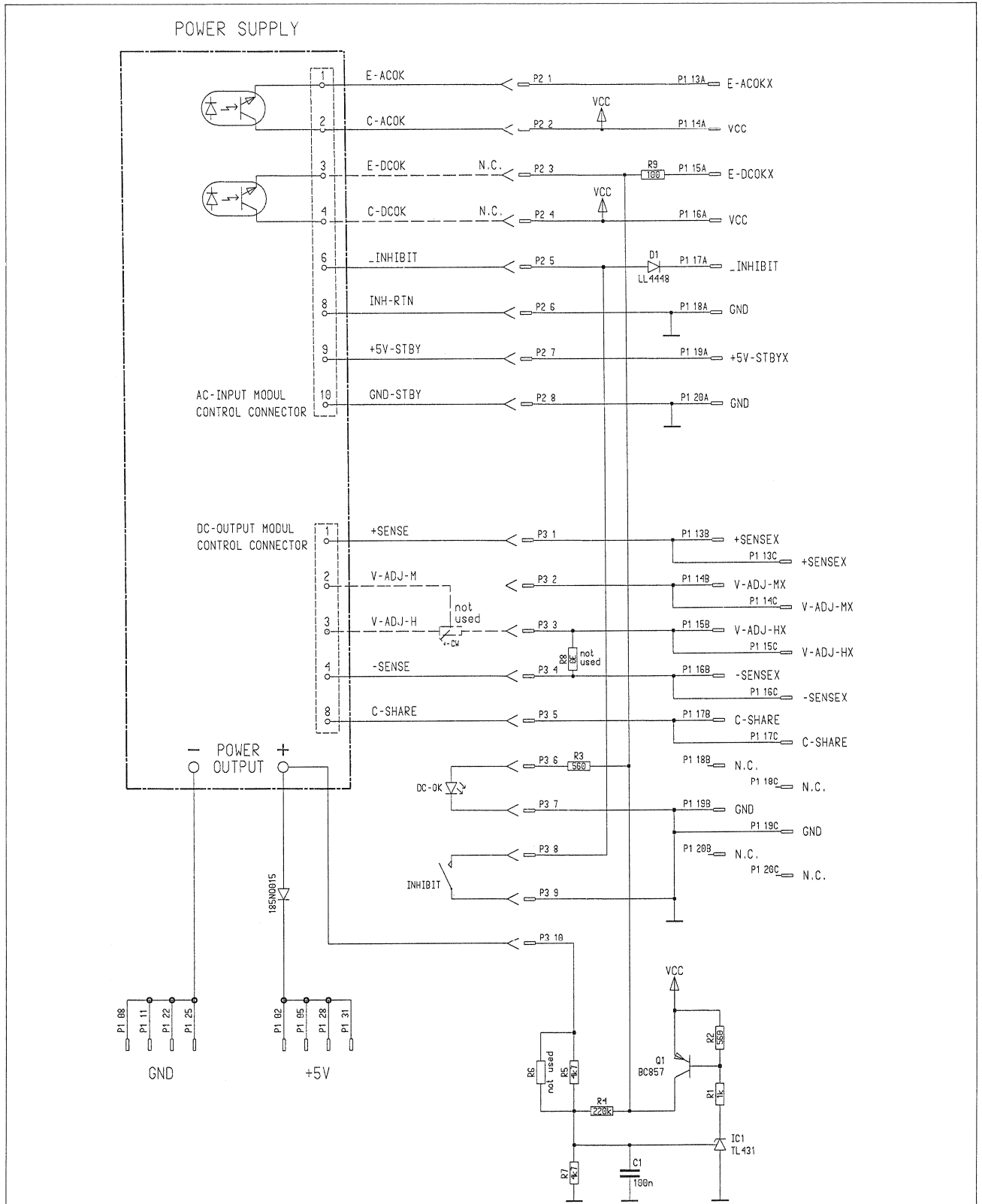
Idx.	Pos.	Part No.	Qty.	Type/Val.	Description	Idx.	Pos.	Part No.	Qty.	Type/Val.	Description
0	C 1	59.22.3221	220u		EL 10V, 20%, RM5	0	MP 1	1.950.597.12			PSU BACK PLANE PCB
0	C 2	59.22.3221	220u		EL 10V, 20%, RM5	0	MP 2	1.950.597.10			NR, ETIKETTE
0	C 3	59.06.0104	100n		PETP, 63V, 10%, RM5	0	MP 3	43.01.0108		Label	ESE-WARNschild
0	C 4	59.06.0104	100n		PETP, 63V, 10%, RM5	0	P 1	54.12.0702	2p		Stecker gerade PCB
0	D 1	50.04.0512	1N5818		D 1N 5818, 1N 5819,	0	P 2	54.12.0710	10p		Stecker gerade PCB
0	D 2	50.04.0125	1N4448		75V, 150mA, 4ns, DO-35	0	P 3	not used	2p		Stecker gerade PCB
0	D 3	50.04.0125	1N4448		75V, 150mA, 4ns, DO-35	0	P 4	54.12.0704	4p		Stecker gerade PCB
0	D 4	50.04.0512	1N5818		D 1N 5818, 1N 5819,	0	P 5	54.12.0702	2p		Stecker gerade PCB
0	D 5	50.04.0512	1N5818		D 1N 5818, 1N 5819,	0	Q 1	50.03.0436		BC237B	BC 237 B, 547 B, 550 B,
0	IC 1	50.17.1011	74HC11		IC ... 74 HC 11 ..	.A	0	Q 2	50.03.0436	BC237B	BC 237 B, 547 B, 550 B,
0	IC 2	50.17.1032	74HC32		IC ... 74 HC 32 ..	.A	0	Q 3	50.03.0515	BC307B	BC 307 B, BC 557 B, PNP
0	IC 3	50.10.0108	TL431		IC TL 431 CLP,		0	R 1	not used	4k7	MF, 1%, 0207
0	J 1	54.11.4451	24*9p		EU-M		0	R 2	57.92.7012	0.3A	POLY-PTC, 60V
0	J 2	54.11.4451	24*9p		EU-M		0	R 3	57.92.7020	0.75A	POLY-PTC, 60V
0	J 3	54.11.4451	24*9p		EU-M		0	R 4	57.92.7012	0.3A	POLY-PTC, 60V
0	JP 1	54.01.0020	1p		Pin 0.63*0.63		0	R 5	57.11.3472	4k7	MF, 1%, 0207
0	JP 2	54.01.0020	1p		Pin 0.63*0.63		0	R 6	57.11.3472	4k7	MF, 1%, 0207
0	JP 3	54.01.0020	1p		Pin 0.63*0.63		0	R 7	57.11.3272	2k7	MF, 1%, 0207
0	JP 4	54.01.0020	1p		Pin 0.63*0.63		0	R 8	57.11.3242	2k4	MF, 1%, 0207
0	JP 5	54.01.0020	1p		Pin 0.63*0.63		0	R 9	57.11.3154	150k	MF, 1%, 0207
0	JP 6	54.01.0020	1p		Pin 0.63*0.63		0	R 10	57.11.3102	1k0	MF, 1%, 0207
0	JP 7	54.01.0020	1p		Pin 0.63*0.63		0	R 11	57.11.3471	470R	MF, 1%, 0207
0	JP 8	54.01.0020	1p		Pin 0.63*0.63		0	RZ 1	57.88.4472	8*4k7	2%, SIP 9
0	JP 9	54.01.0020	1p		Pin 0.63*0.63		0	XIC 1	53.03.0167	14p	DIL 0.3", lot, gerade
0	JP 10	54.01.0020	1p		Pin 0.63*0.63		0	XIC 2	53.03.0167	14p	DIL 0.3", lot, gerade
0	JP 11	54.01.0020	1p		Pin 0.63*0.63						
0	JP 12	54.01.0020	1p		Pin 0.63*0.63						
0	JP 13	54.01.0020	1p		Pin 0.63*0.63						
0	JP 14	54.01.0020	1p		Pin 0.63*0.63						
0	JP 15	54.01.0020	1p		Pin 0.63*0.63						
0	JP 16	54.01.0020	1p		Pin 0.63*0.63						
0	JP 17	54.01.0020	1p		Pin 0.63*0.63						
0	JP 18	54.01.0020	1p		Pin 0.63*0.63						
0	JS 1	54.01.0021	Jumper		0.63 * 0.63mm						
0	JS 2	54.01.0021	Jumper		0.63 * 0.63mm						
0	JS 3	54.01.0021	Jumper		0.63 * 0.63mm						
0	JS 4	54.01.0021	Jumper		0.63 * 0.63mm						
0	JS 5	54.01.0021	Jumper		0.63 * 0.63mm						
0	JS 6	54.01.0021	Jumper		0.63 * 0.63mm						
0	K 1	59.04.0198	2u		5V 125V 2A Ag/Au						
0	K 2	59.04.0198	2u		5V 125V 2A Ag/Au						

Comments:

End of List

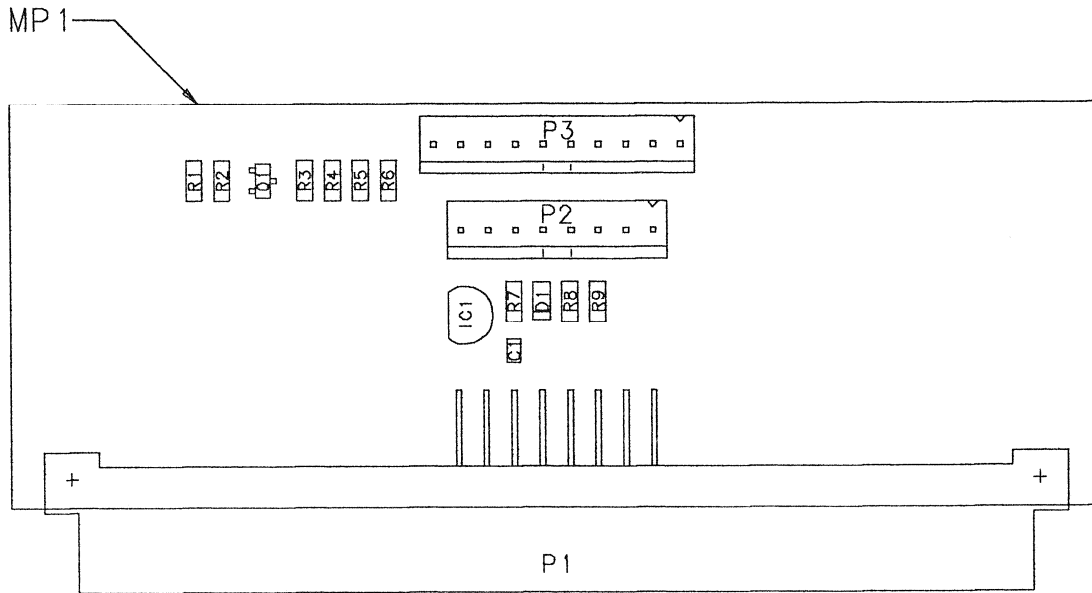
Edition	15.09.98	CP							
Author									
Checked									
Index									

PSU Connection Board I.950.598.00



0	25.11.97	GP					
D950 POWER SUPPLY						PAGE 1 OF 1	
STUDER		PSU CONNECTION BOARD			SC	1.950.598.00	

PSU Connection Board 1.950.598.00



Modifikation						③
Änderung						②
						①
Edition	25.11.97	GP	/	/	/	④
Ausgabe	Datum	Vize	Gez.	Checked	Gepr.	Seen
						Gez.
Copy to:	Kopie fuer:					
Number:	1.950.598.00					

STUDER REGENSDORF	Designation: Benennung:	PSU CONNECTION BOARD
-----------------------------	----------------------------	----------------------

Idx.	Pos.	Part No.	Qty.	Type/Val.	Description
0	C 1	59.60.3337	100n		CER 50V, 10%, X7R, 0805
0	D 1	50.60.8001	4448		200mA 75V 4ns SOD 60
0	IC 1	50.10.0106	TL431		IC TL 431 CLP,
0	MP 1	1.950.598.11			PSU CONNECTION PCB
0	MP 2	1.950.598.10			NR. ETIKETTE
0	MP 3	43.01.0108	Label		ESE-WARNSCHILD
0	P 1	54.11.4401	24+8p		EU-M
0	P 2	54.12.0708	8p		Stecker gerade PCB
0	P 3	54.12.0710	10p		Stecker gerade PCB
0	Q 1	50.60.1001	BC857B		PNP 45V 100mA SOT 23
0	R 1	57.60.1102	1K		MF, 1%, 0204, E24
0	R 2	57.60.1561	560R		MF, 1%, 0204, E24
0	R 3	57.60.1561	560R		MF, 1%, 0204, E24
0	R 4	57.60.1224	220K		MF, 1%, 0204, E24
0	R 5	57.60.1472	4K7		MF, 1%, 0204, E24
0	R 6	not used	220K		MF, 1%, 0204, E24
0	R 7	57.60.1472	4K7		MF, 1%, 0204, E24
0	R 8	not used	0R0		MF, 0204
0	R 9	57.60.1101	100R		MF, 1%, 0204, E24

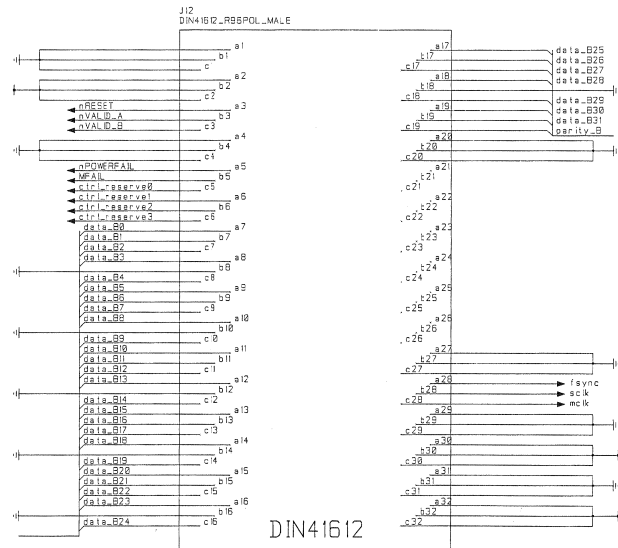
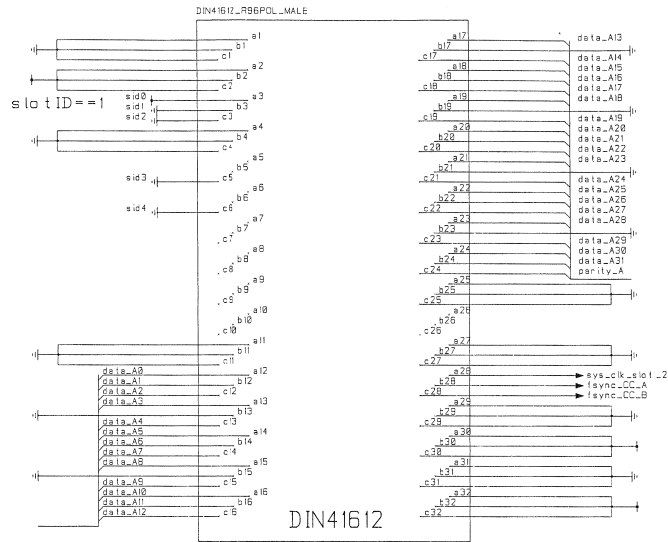
End of List

Comments:

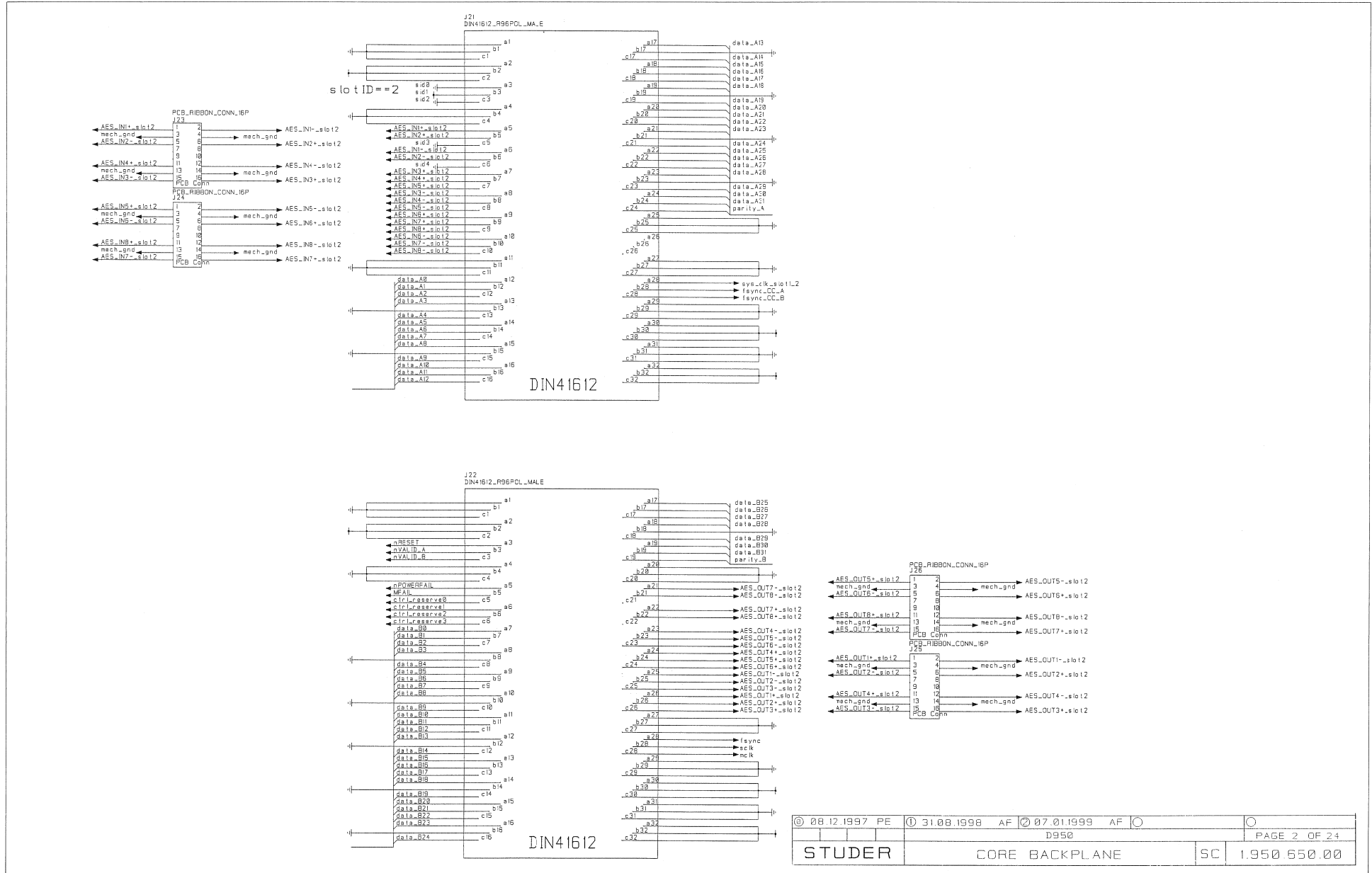
Block Diagram
Core Back Plane 1.950.650



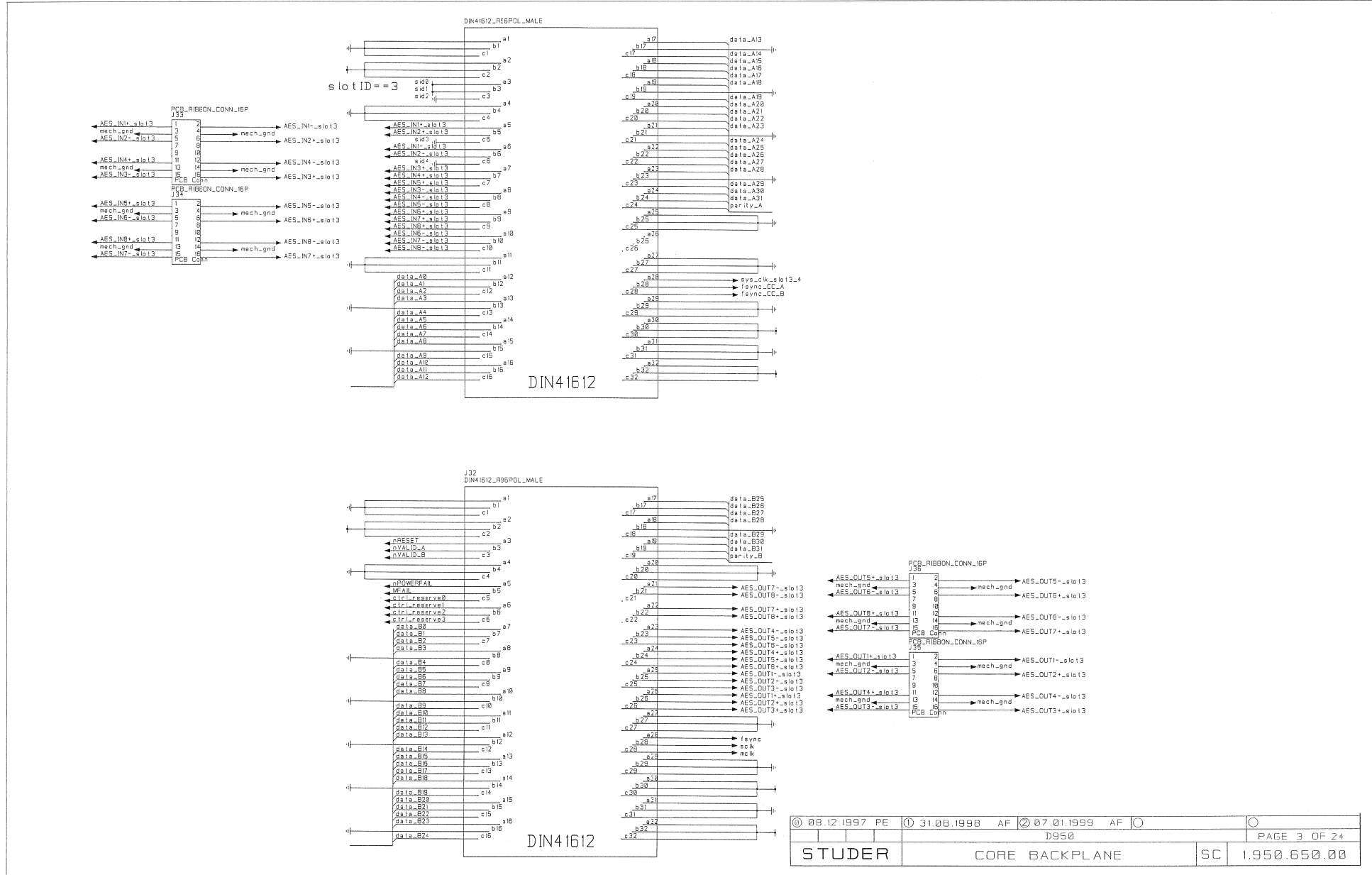
Core Back Plane I.950.650.00



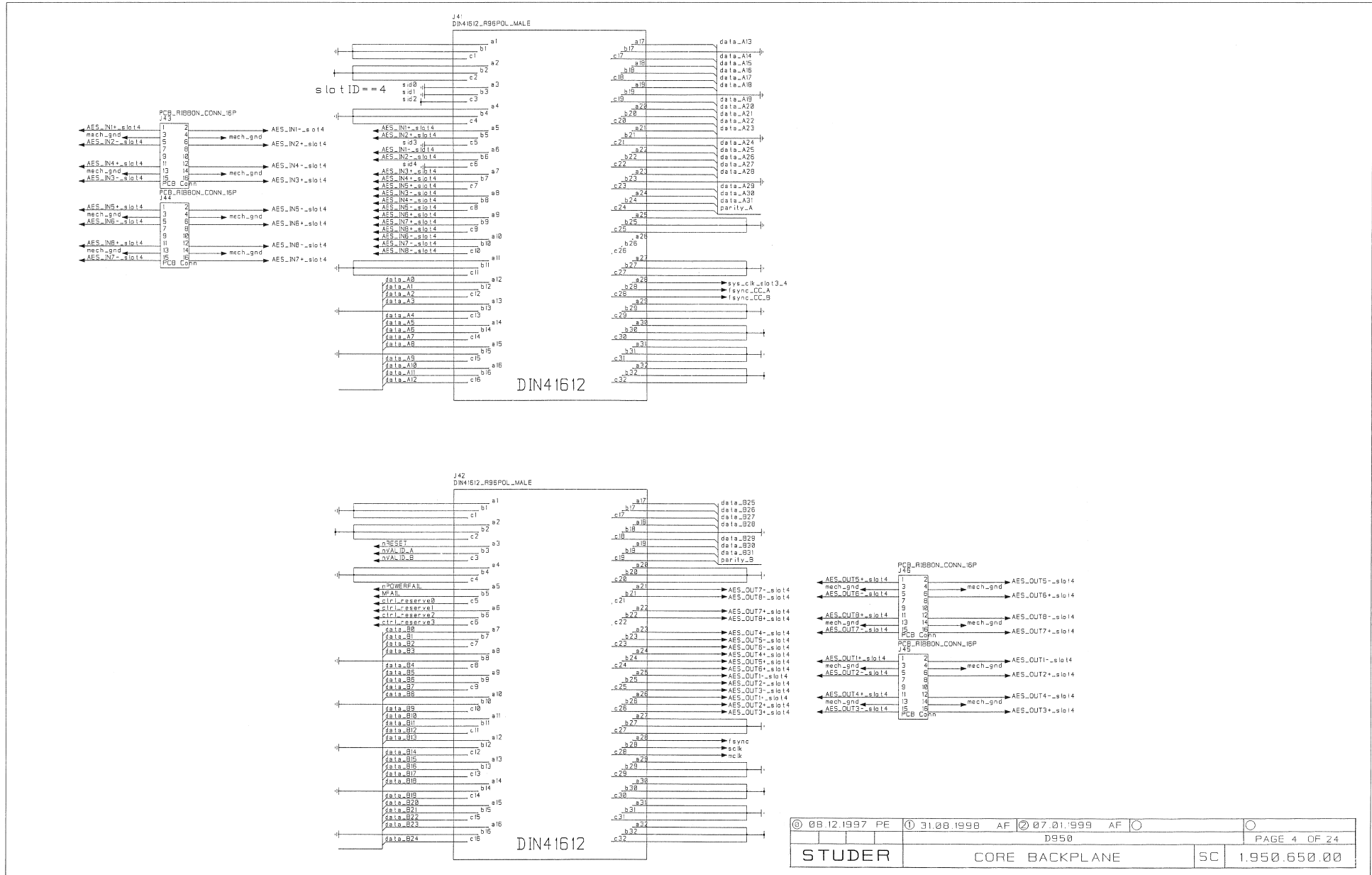
Core Back Plane I.950.650.00



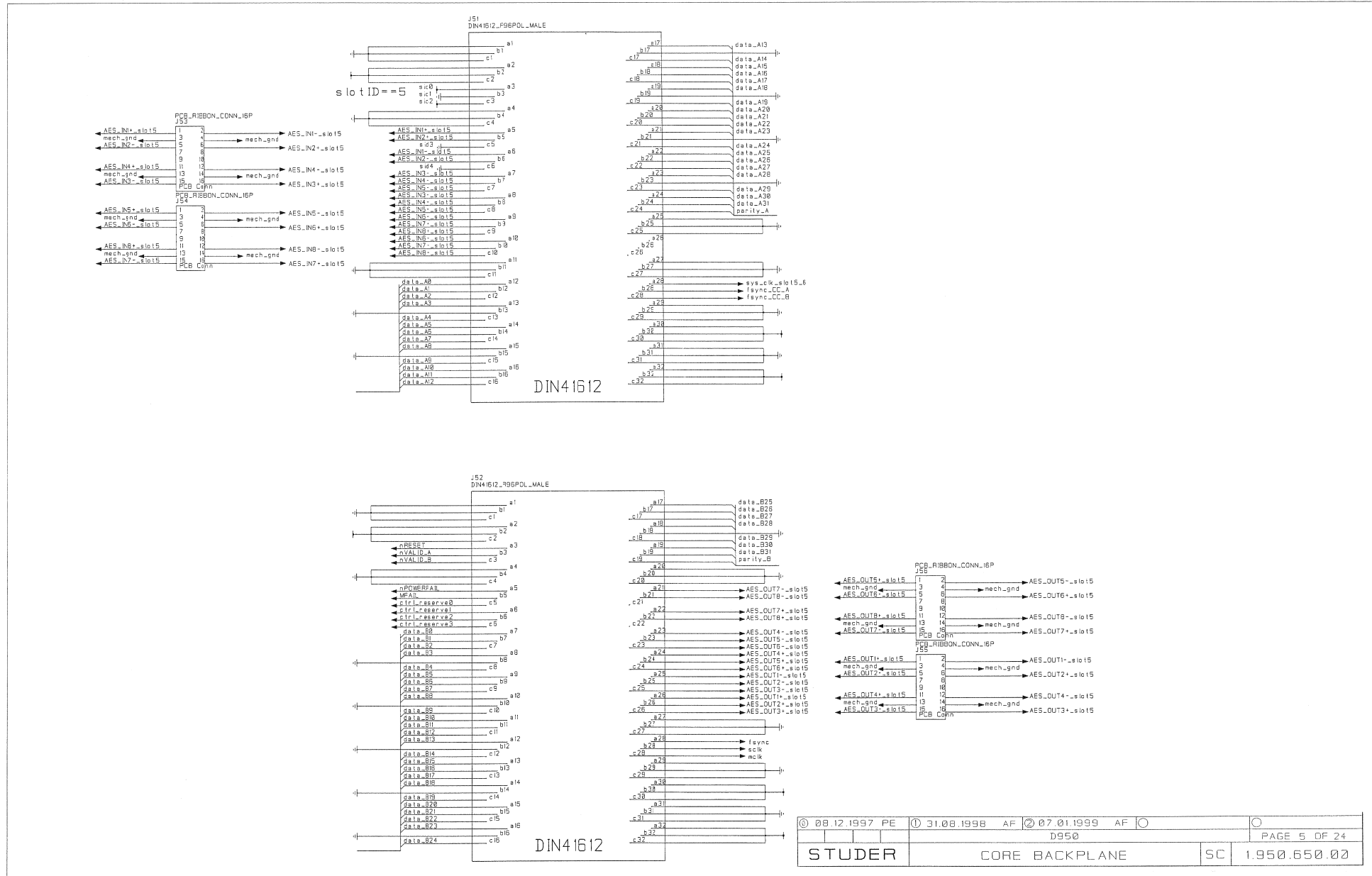
Core Back Plane 1.950.650.00



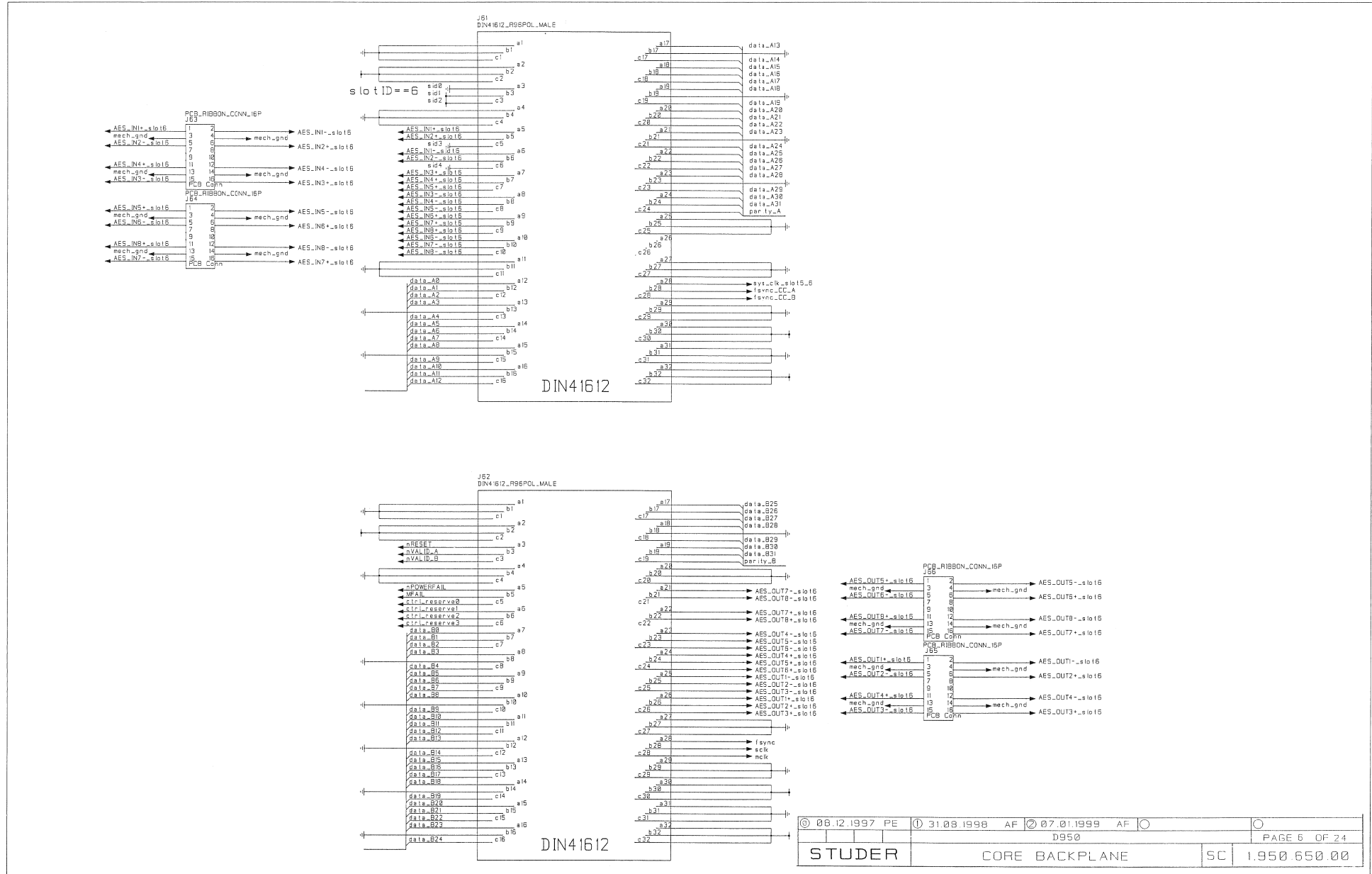
Core Back Plane 1.950.650.00



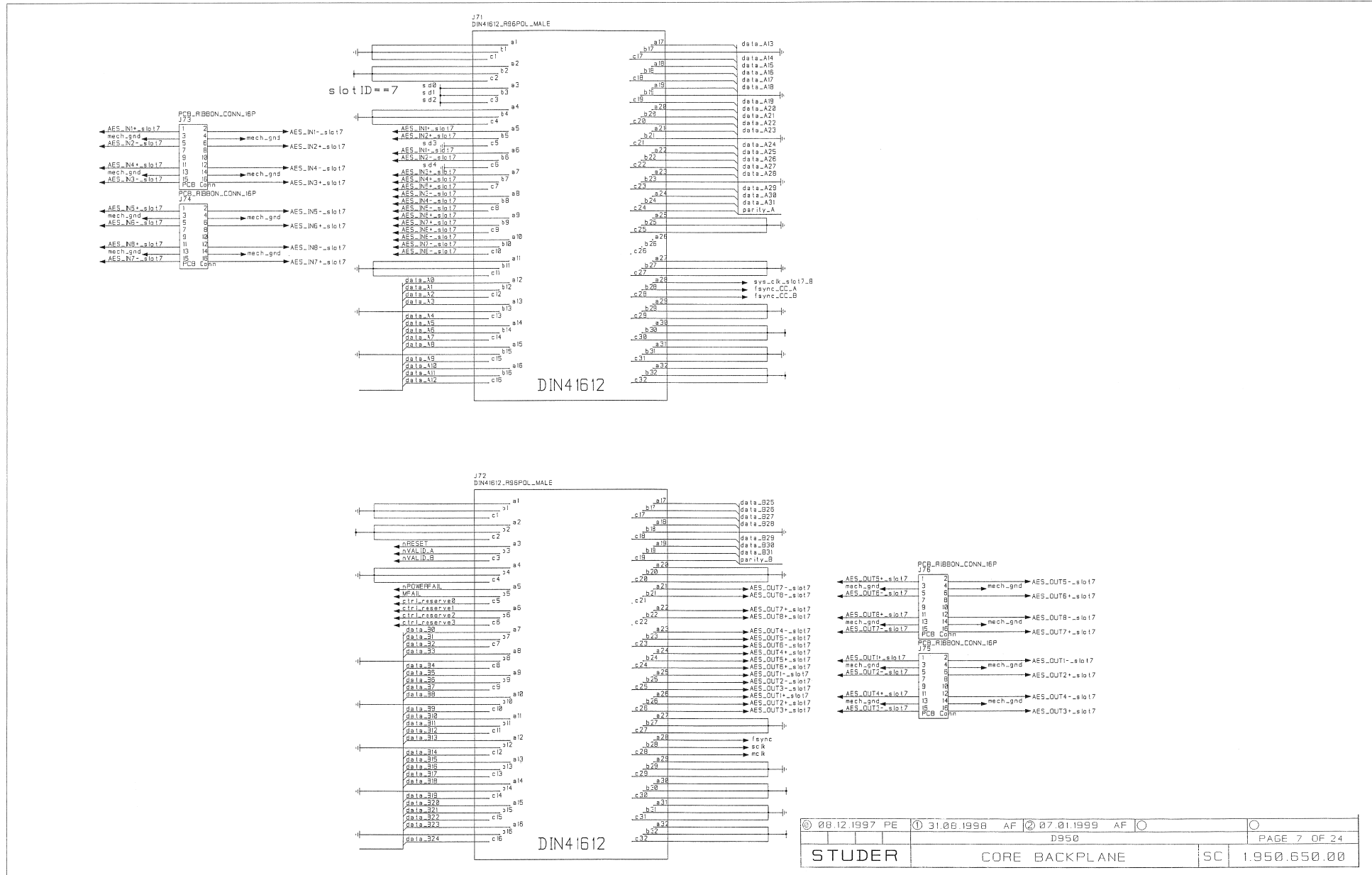
Core Back Plane I.950.650.00



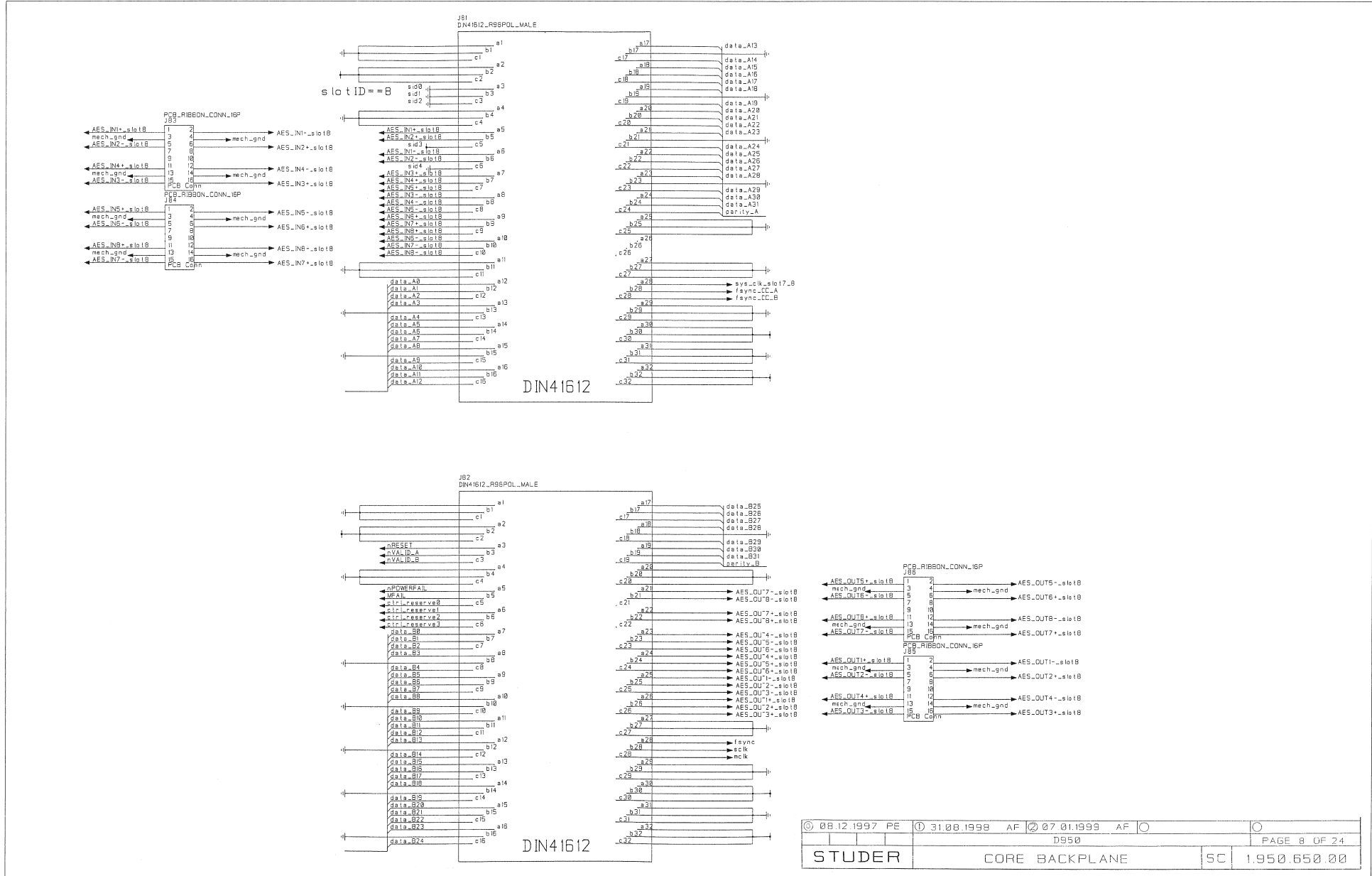
Core Back Plane 1.950.650.00



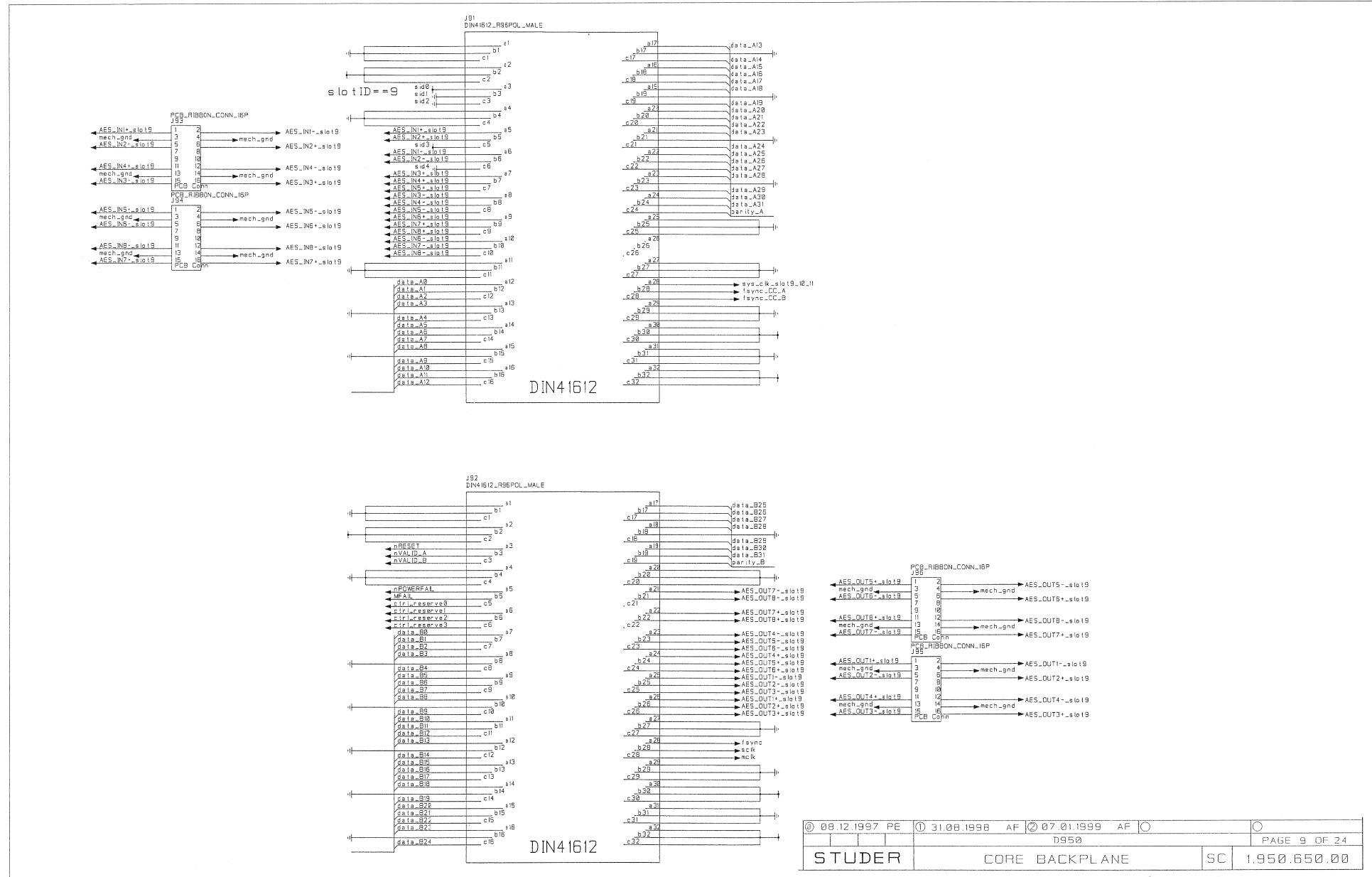
Core Back Plane 1.950.650.00



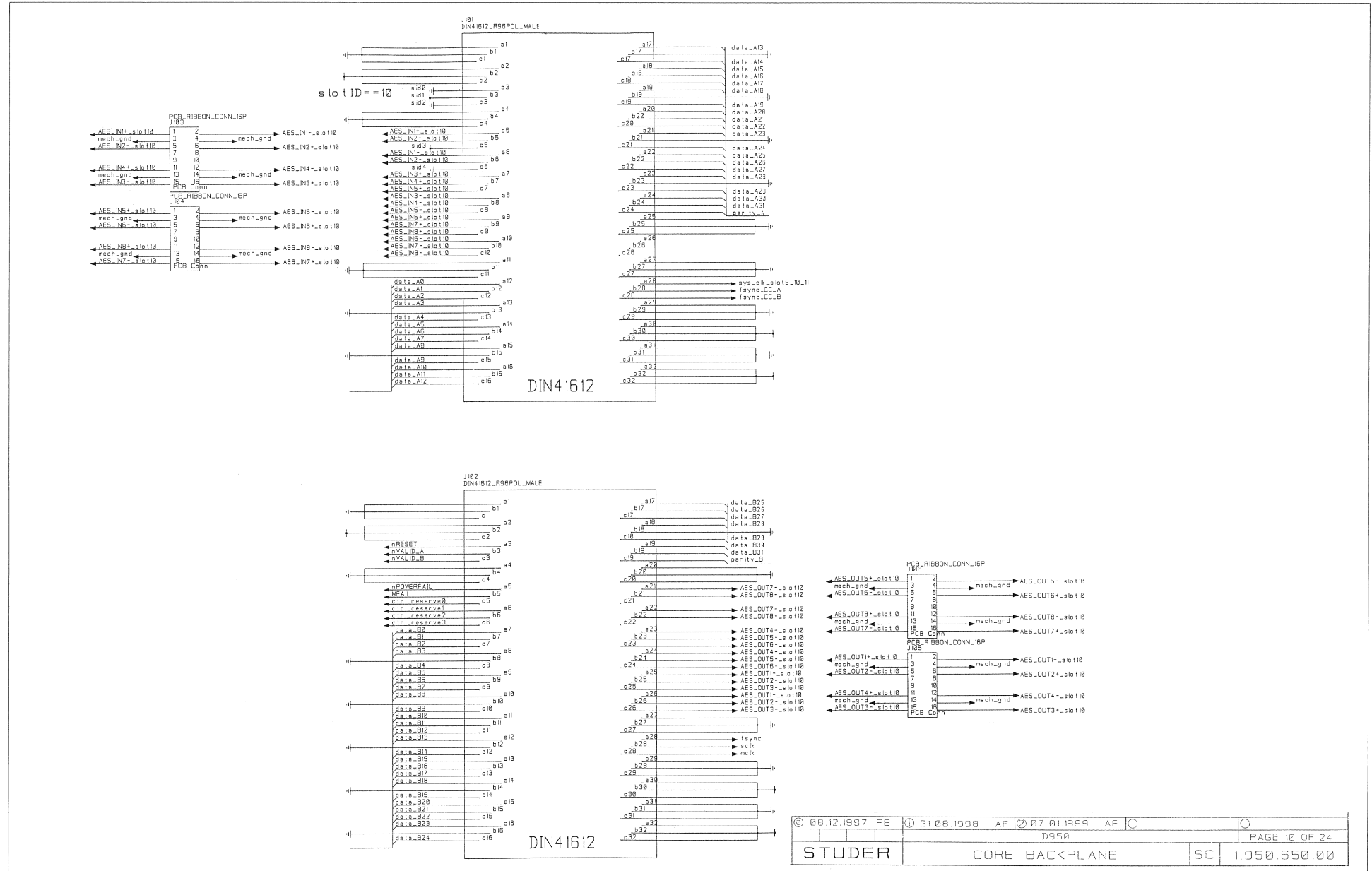
Core Back Plane 1.950.650.00



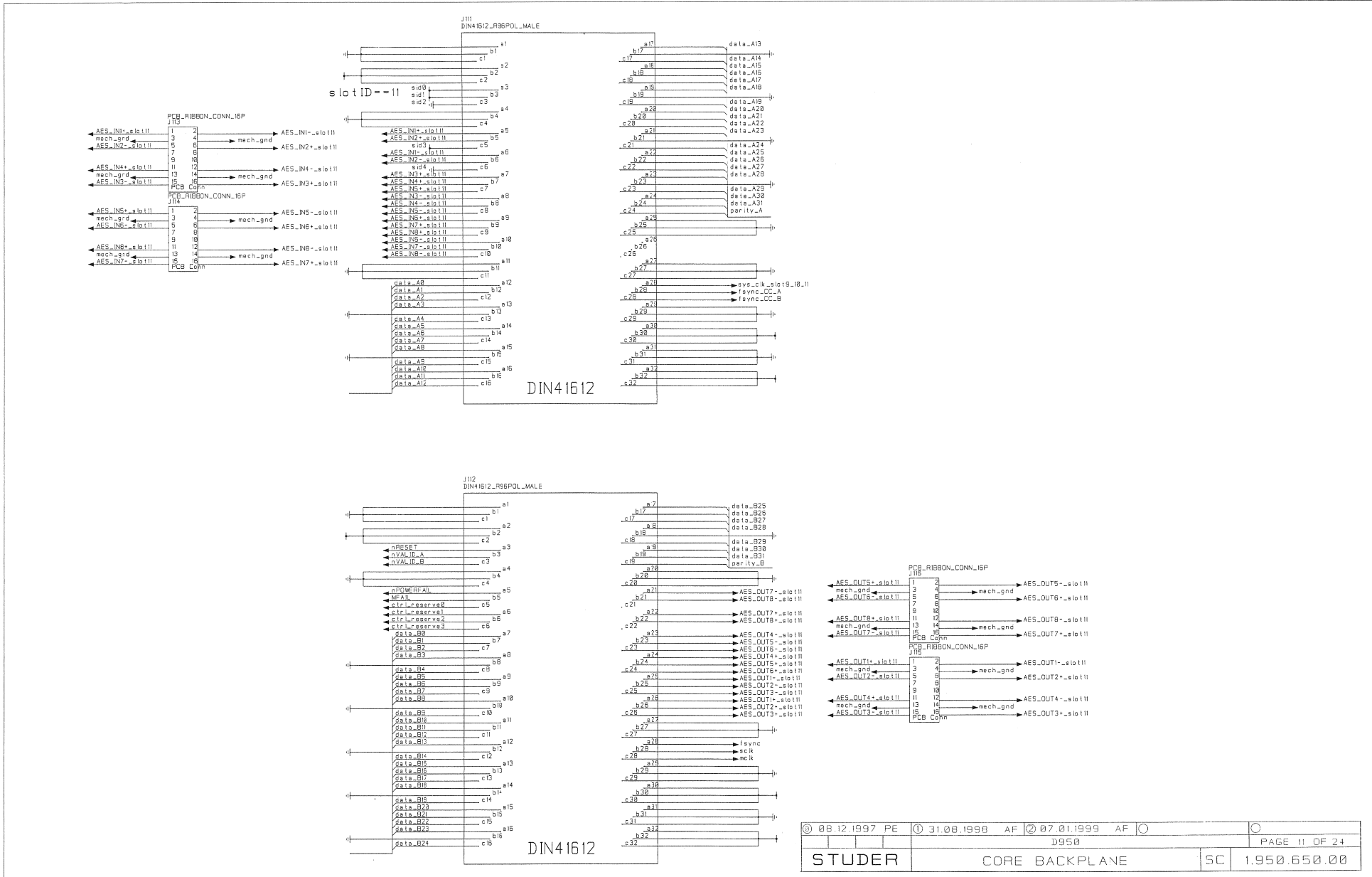
Core Back Plane 1.950.650.00



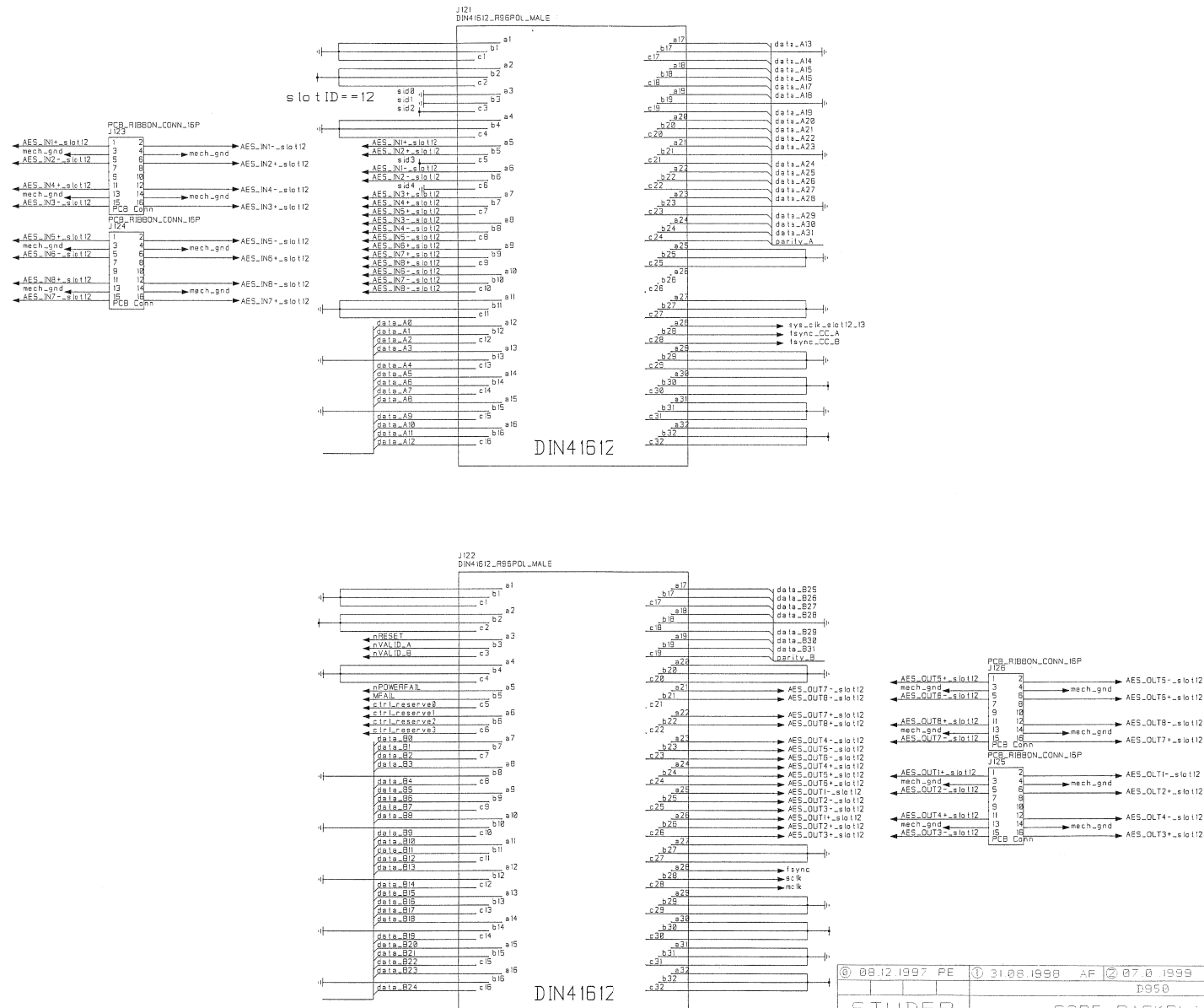
Core Back Plane 1.950.650.00



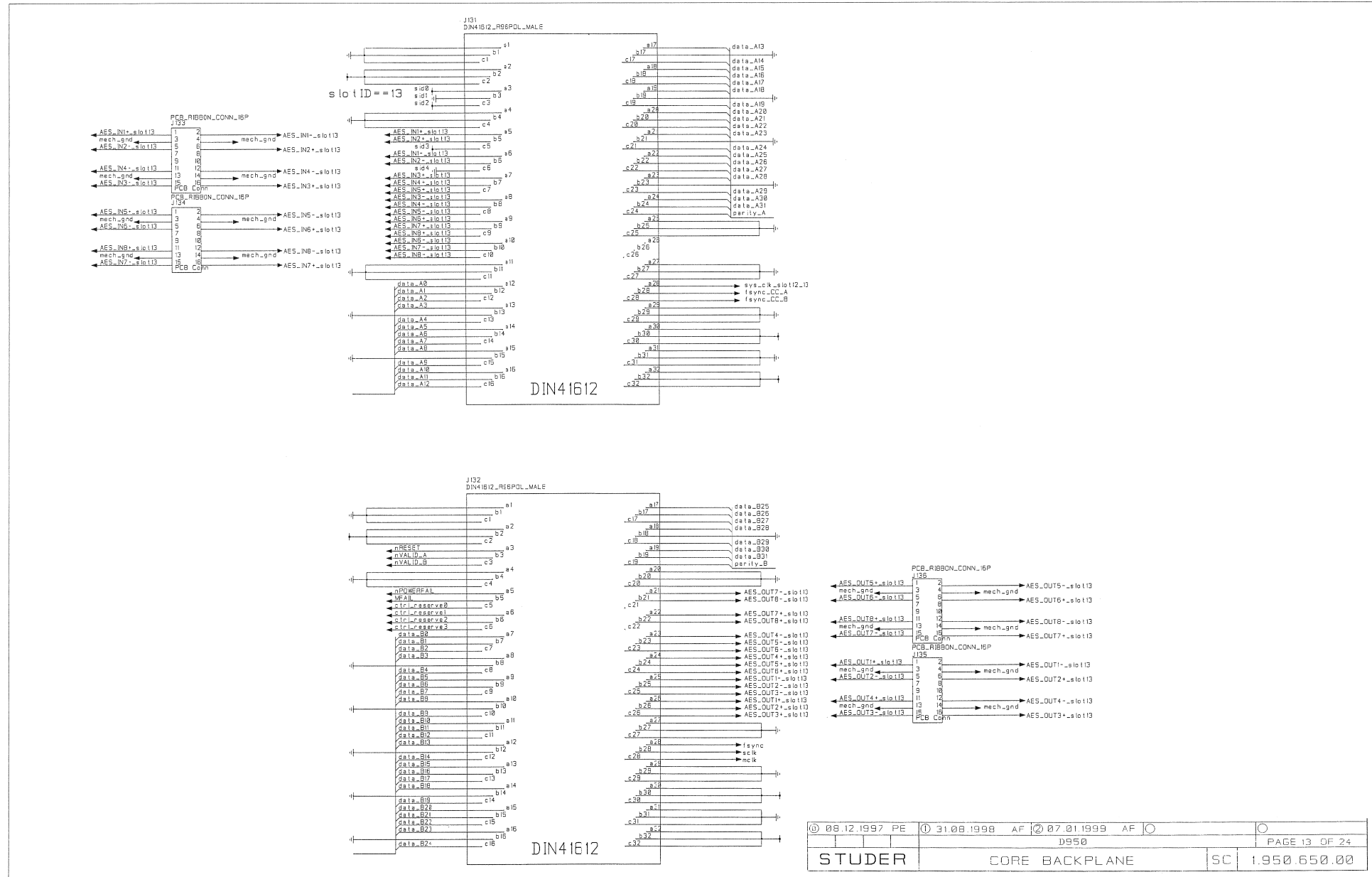
Core Back Plane 1.950.650.00



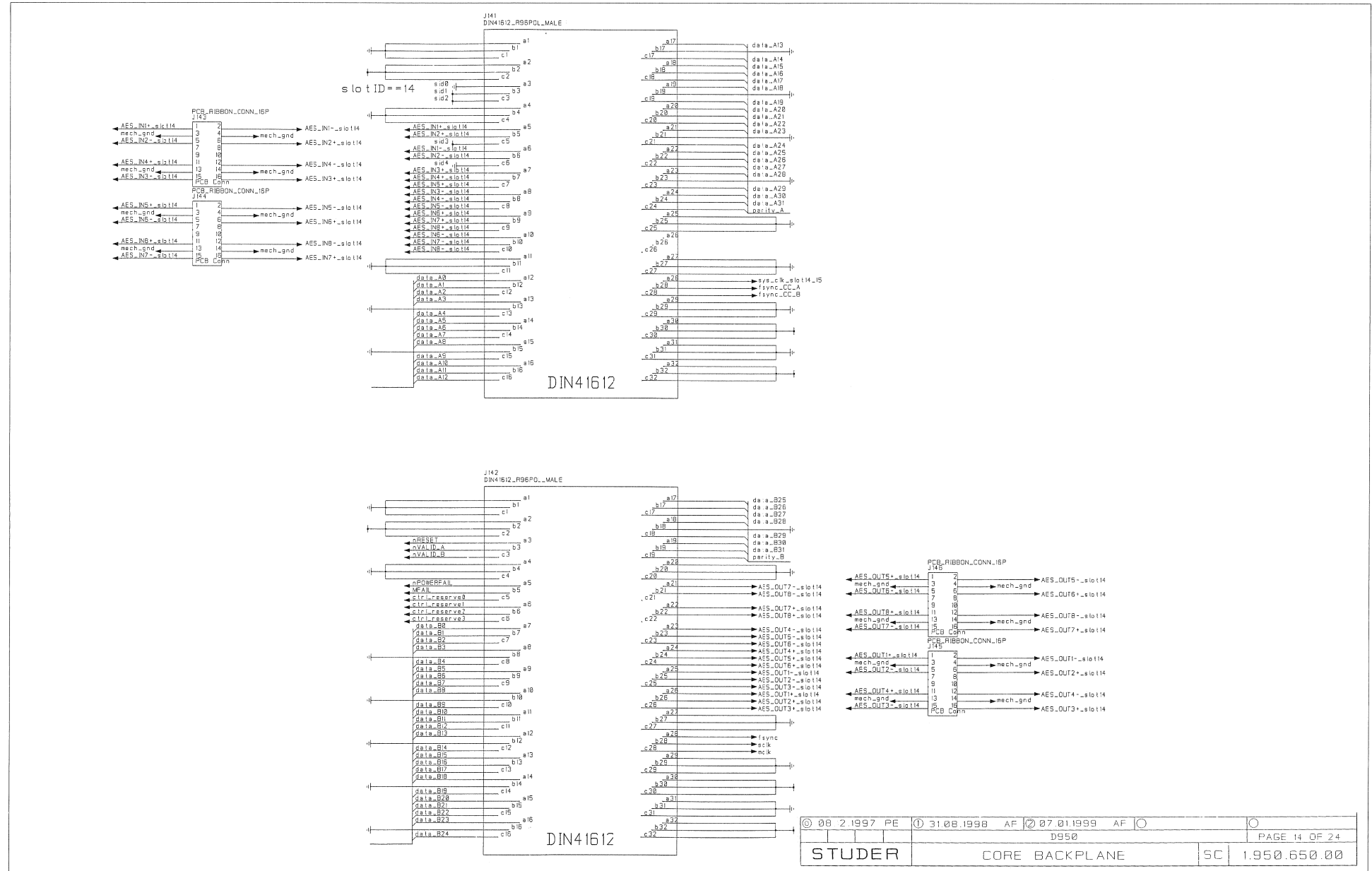
Core Back Plane 1.950.650.00



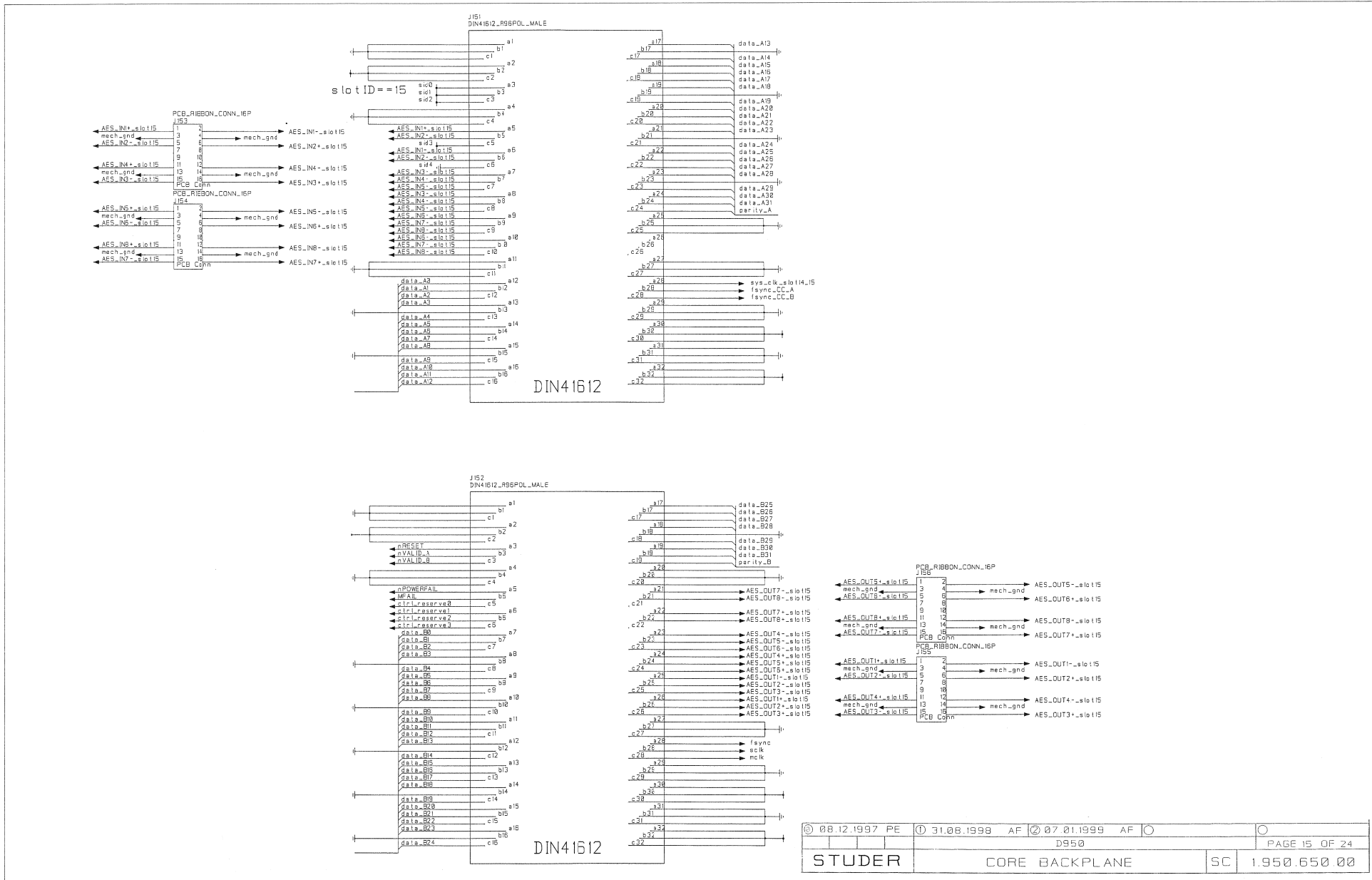
Core Back Plane 1.950.650.00



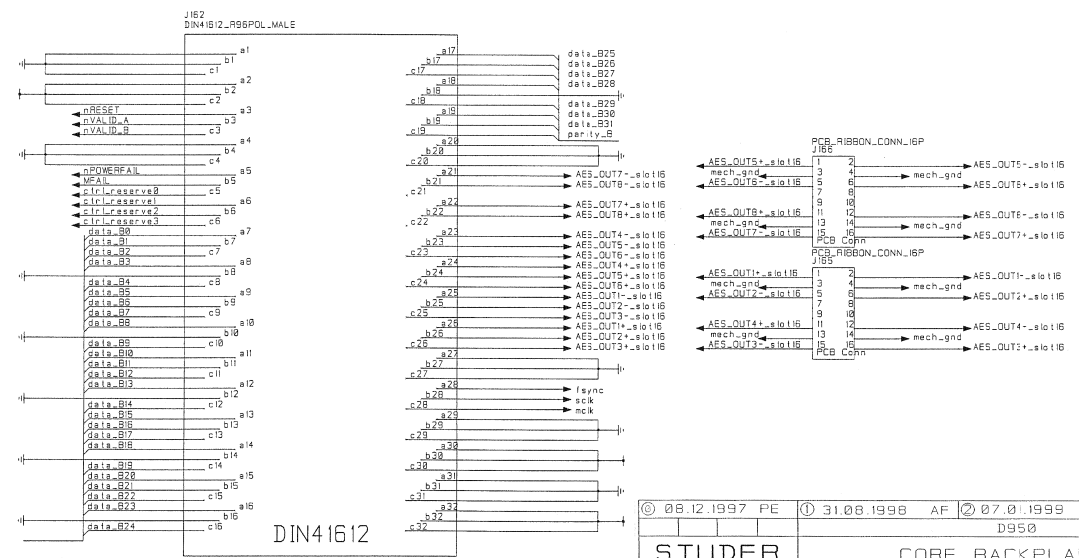
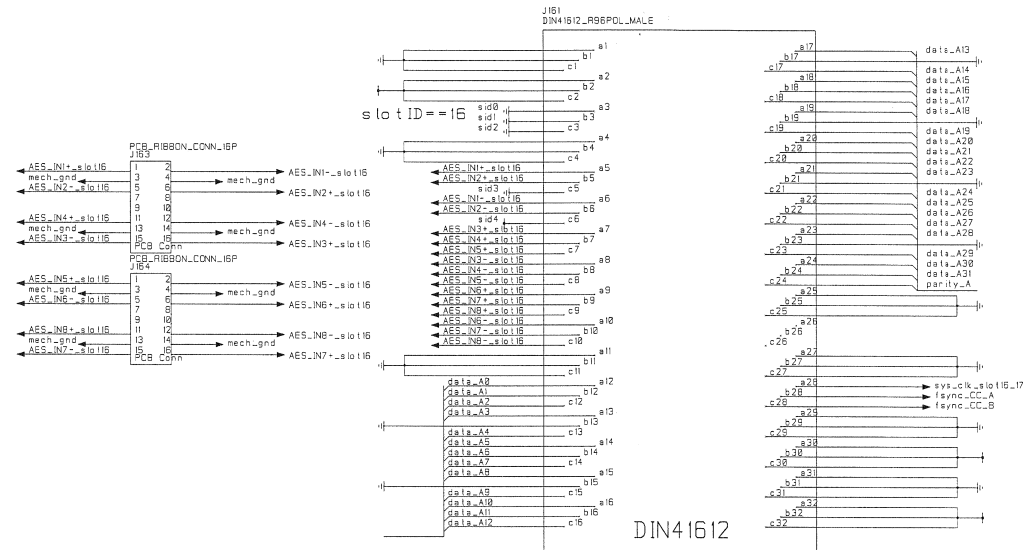
Core Back Plane 1.950.650.00



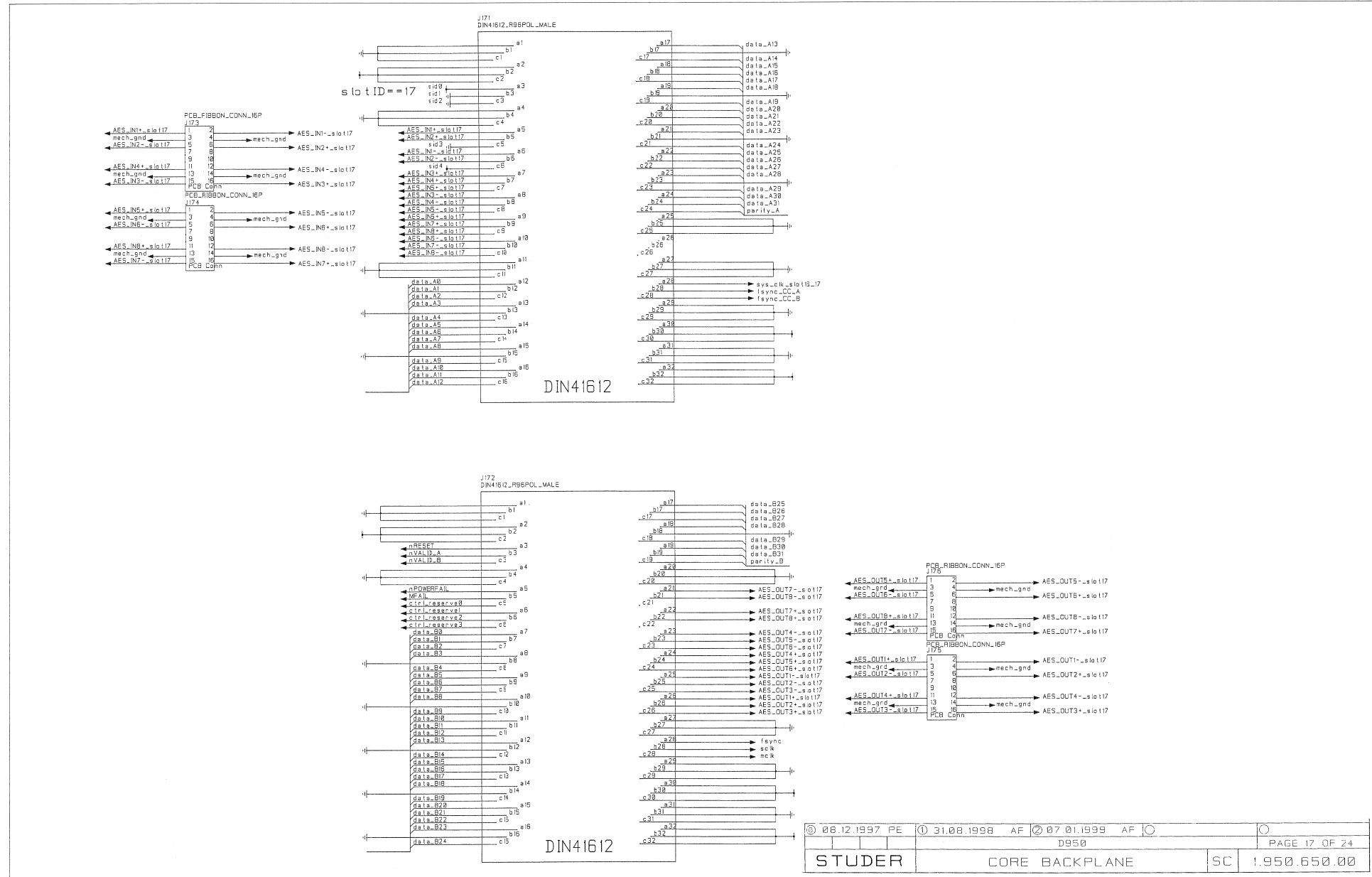
Core Back Plane 1.950.650.00



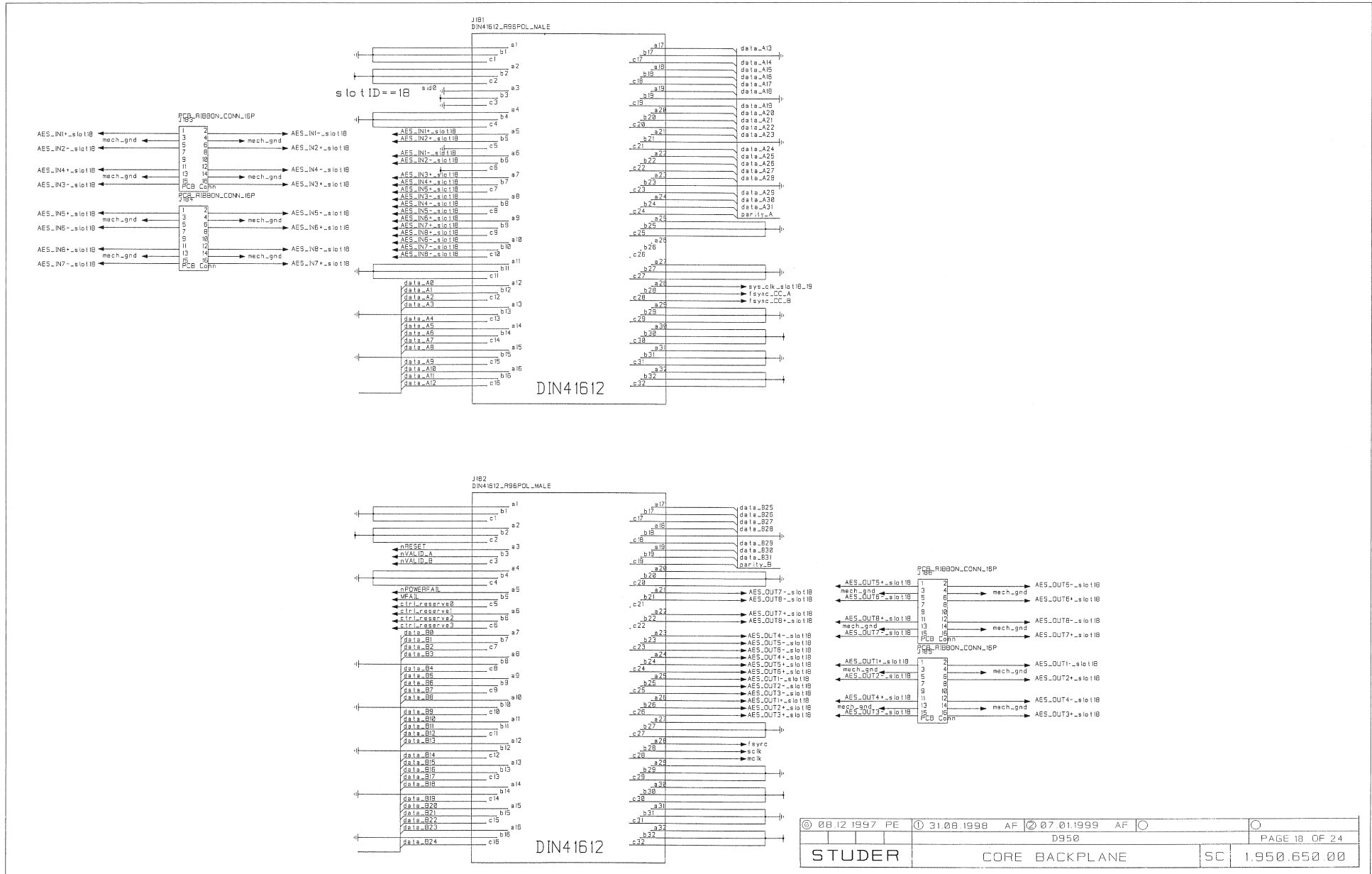
Core Back Plane 1.950.650.00



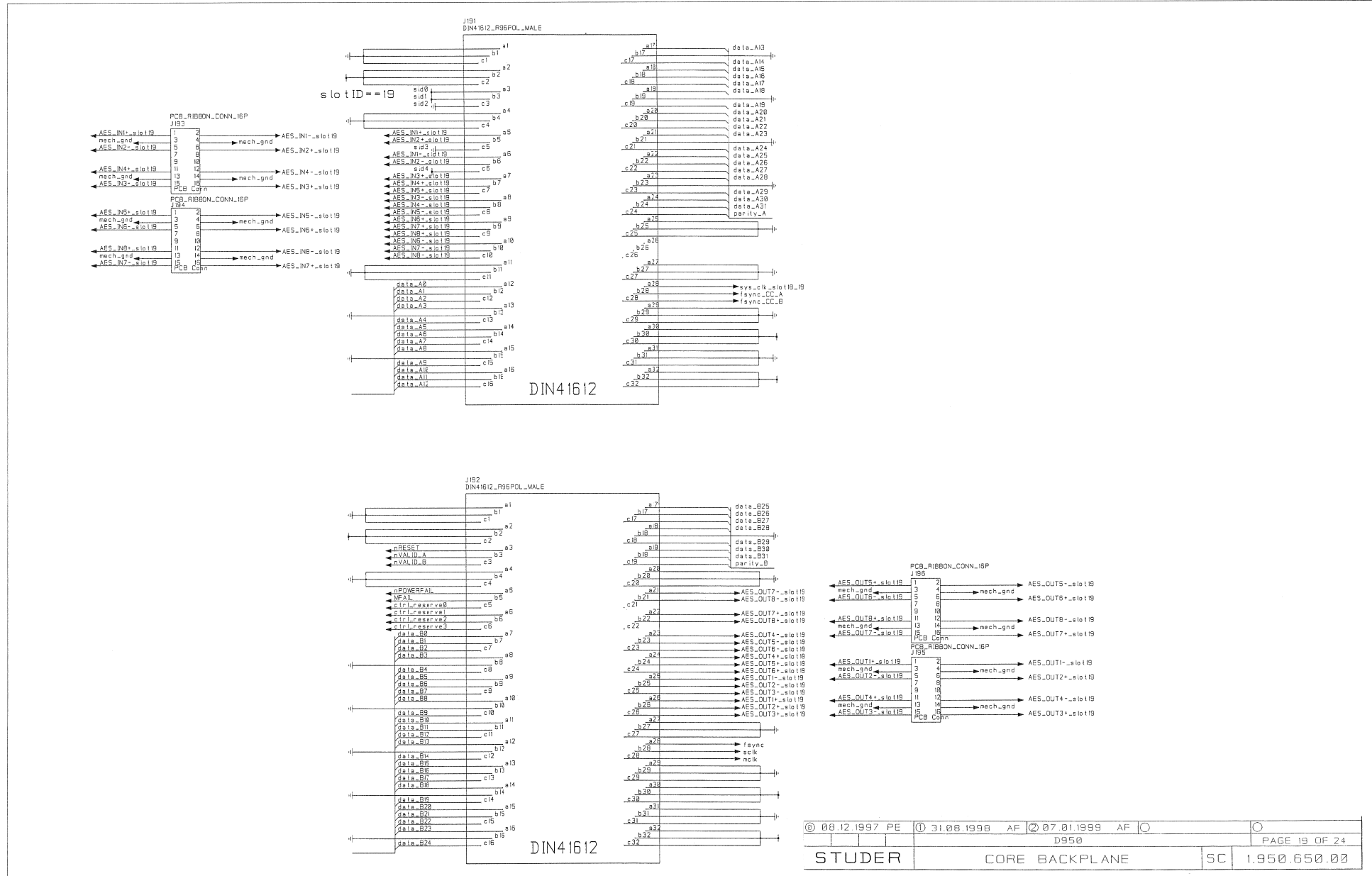
Core Back Plane 1.950.650.00



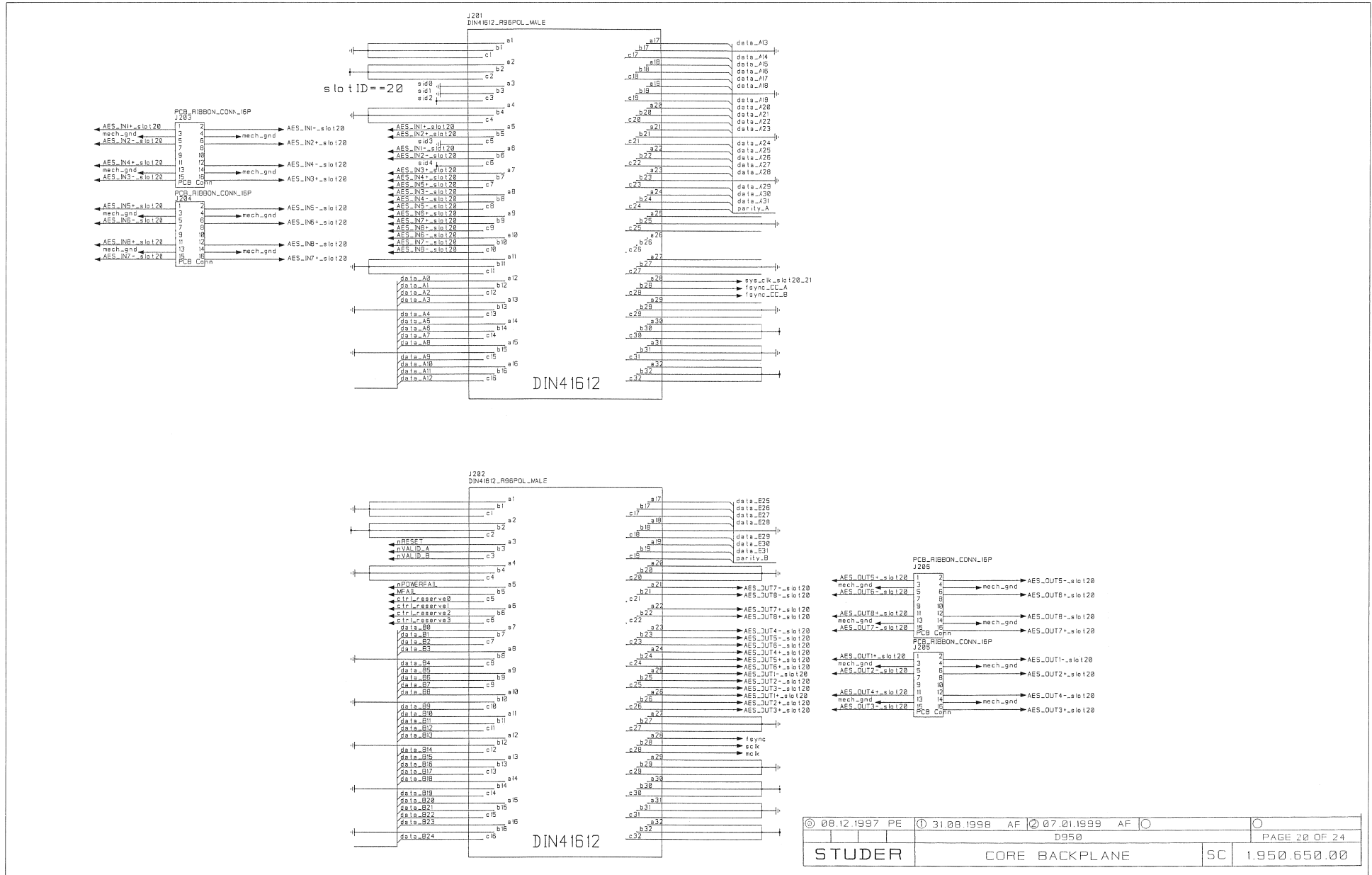
Core Back Plane 1.950.650.00



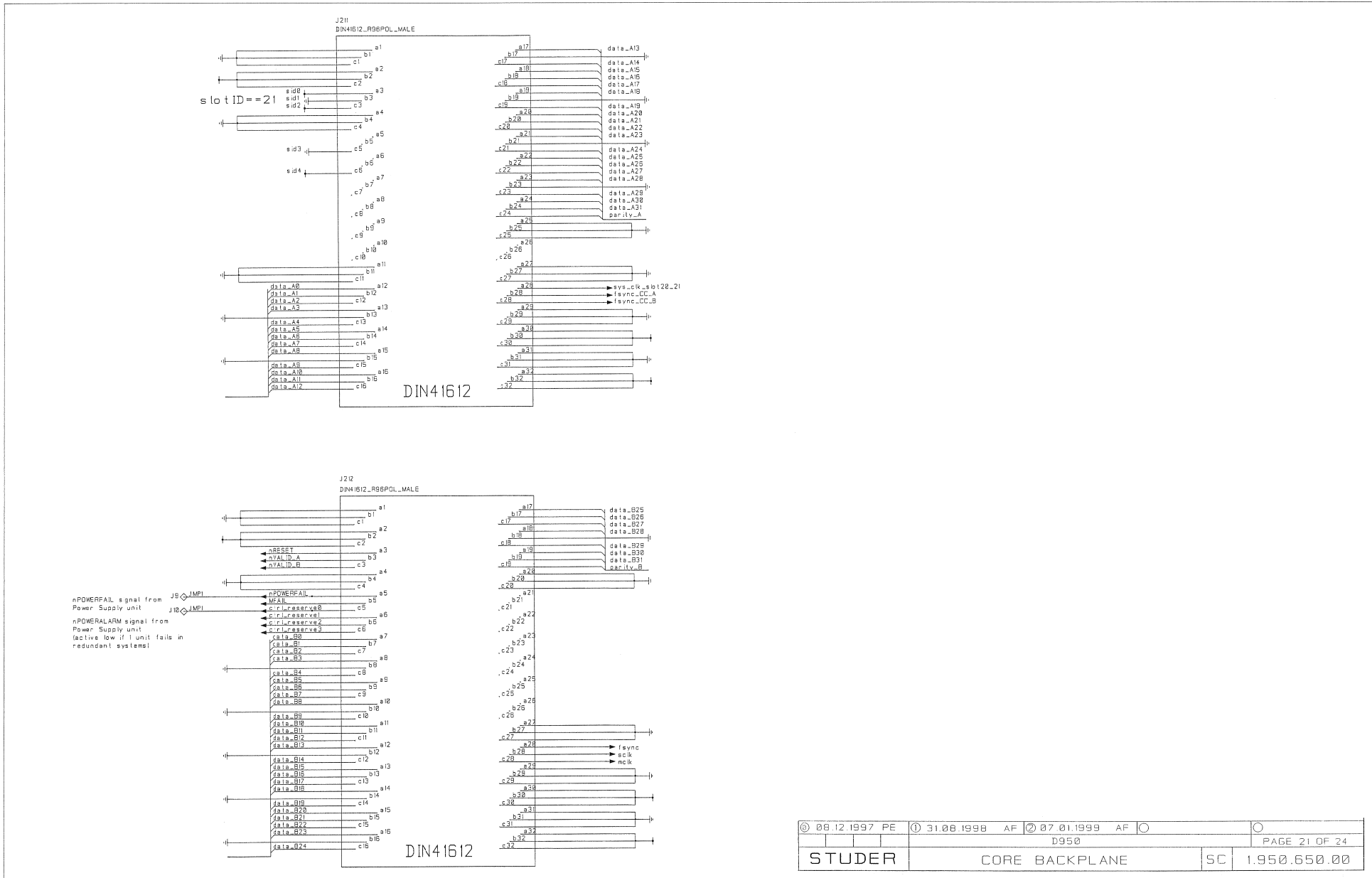
Core Back Plane 1.950.650.00



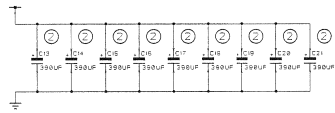
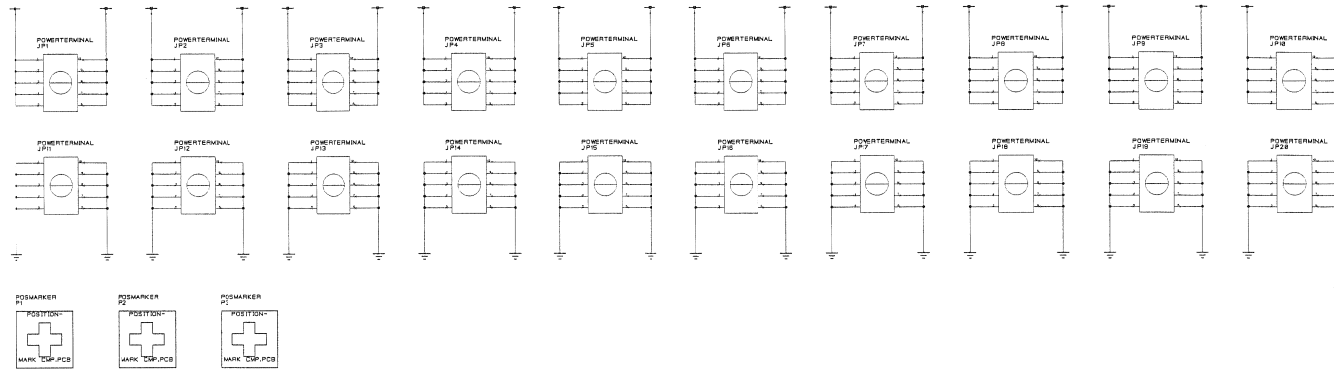
Core Back Plane 1.950.650.00



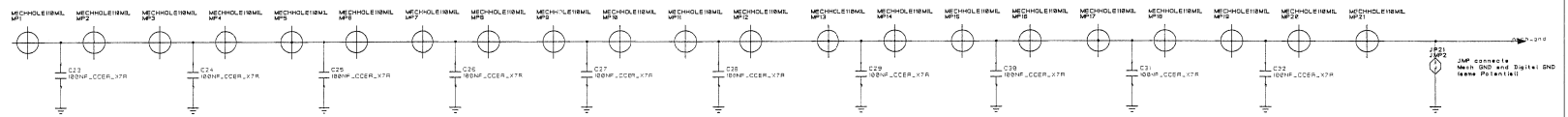
Core Back Plane 1.950.650.00



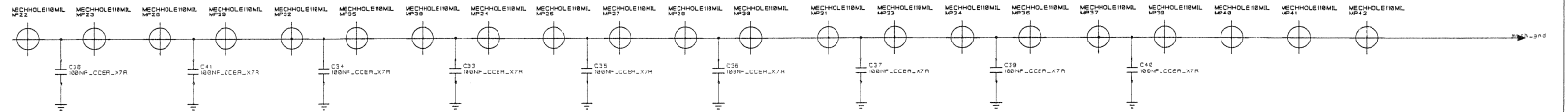
Core Back Plane 1.950.650.00



TOP ROW MECH HOLES



BOTTOM ROW MECH HOLES



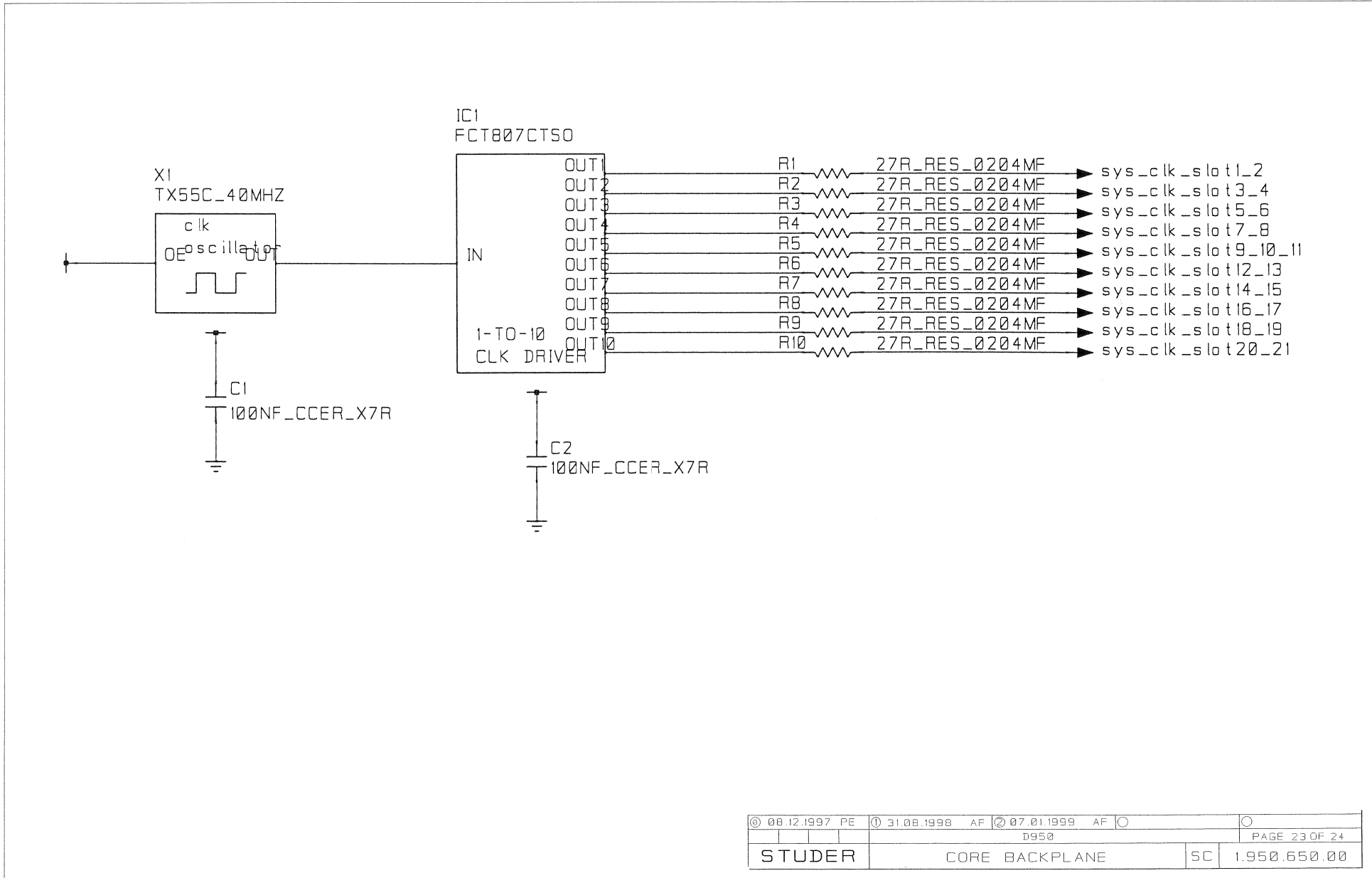
MIDDLE ROW MECH HOLES



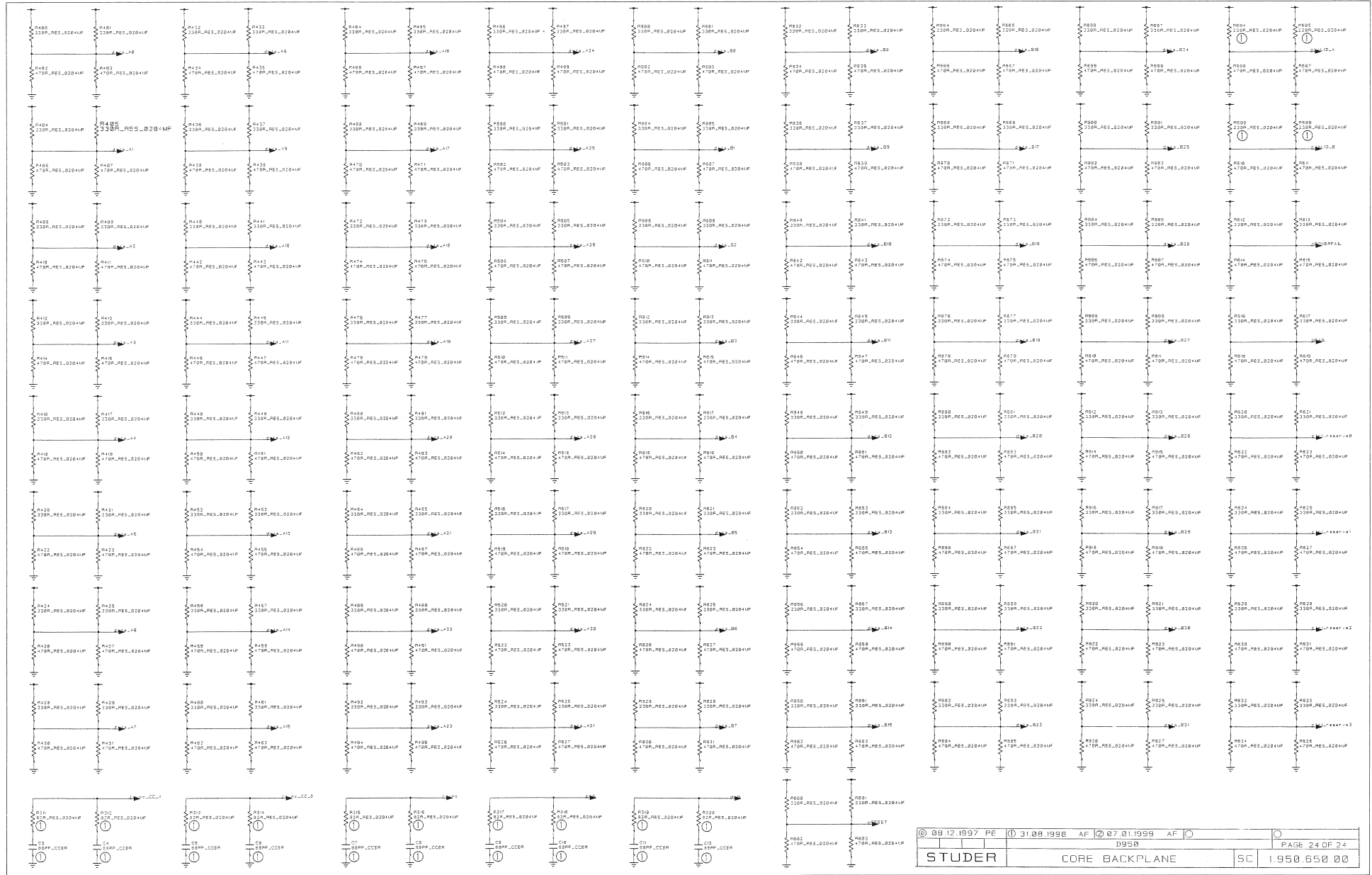
mechanical holes for PCB fixation

Rem: 100nF Cap build low impedance path between Mech Gnd and Digital Gnd for high frequency EMI disturbances

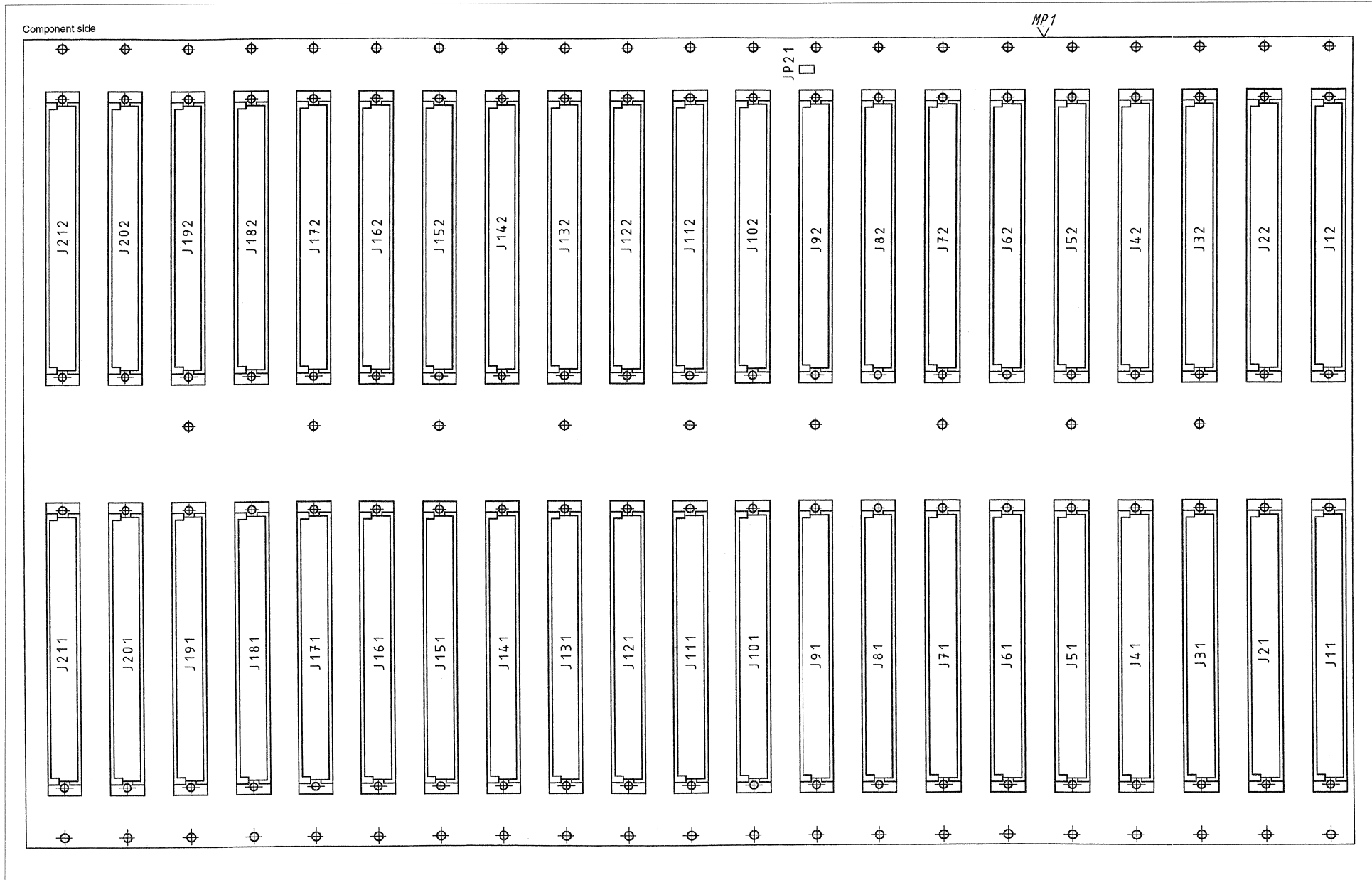
Core Back Plane 1.950.650.00



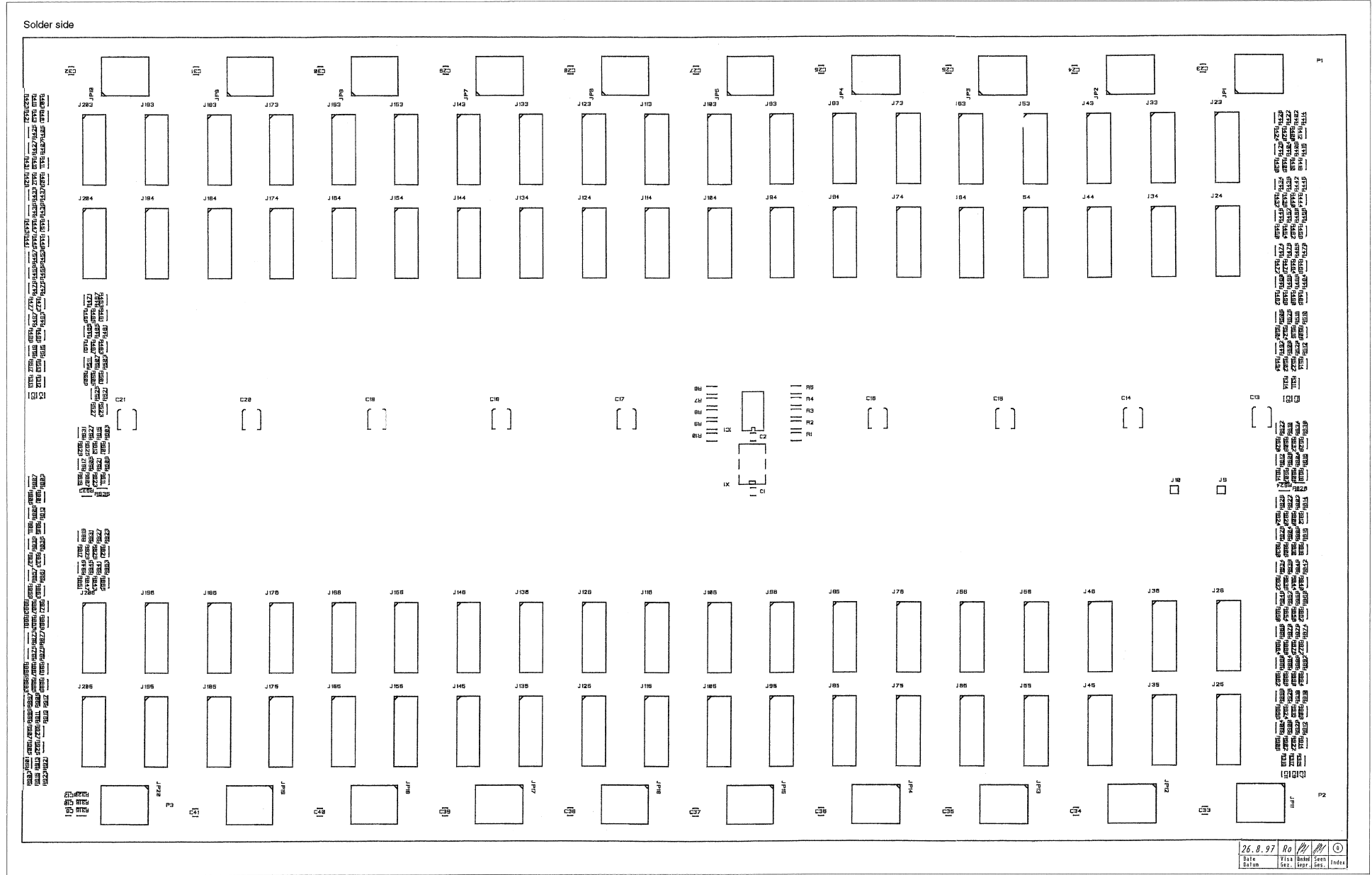
Core Back Plane 1.950.650.00



Core Back Plane 1.950.650.00



Core Back Plane 1.950.650.00



26. 8. 97	Ro			
Date	Visa	Bank	Seit	Index
Edm	Seq.	top	Exp.	

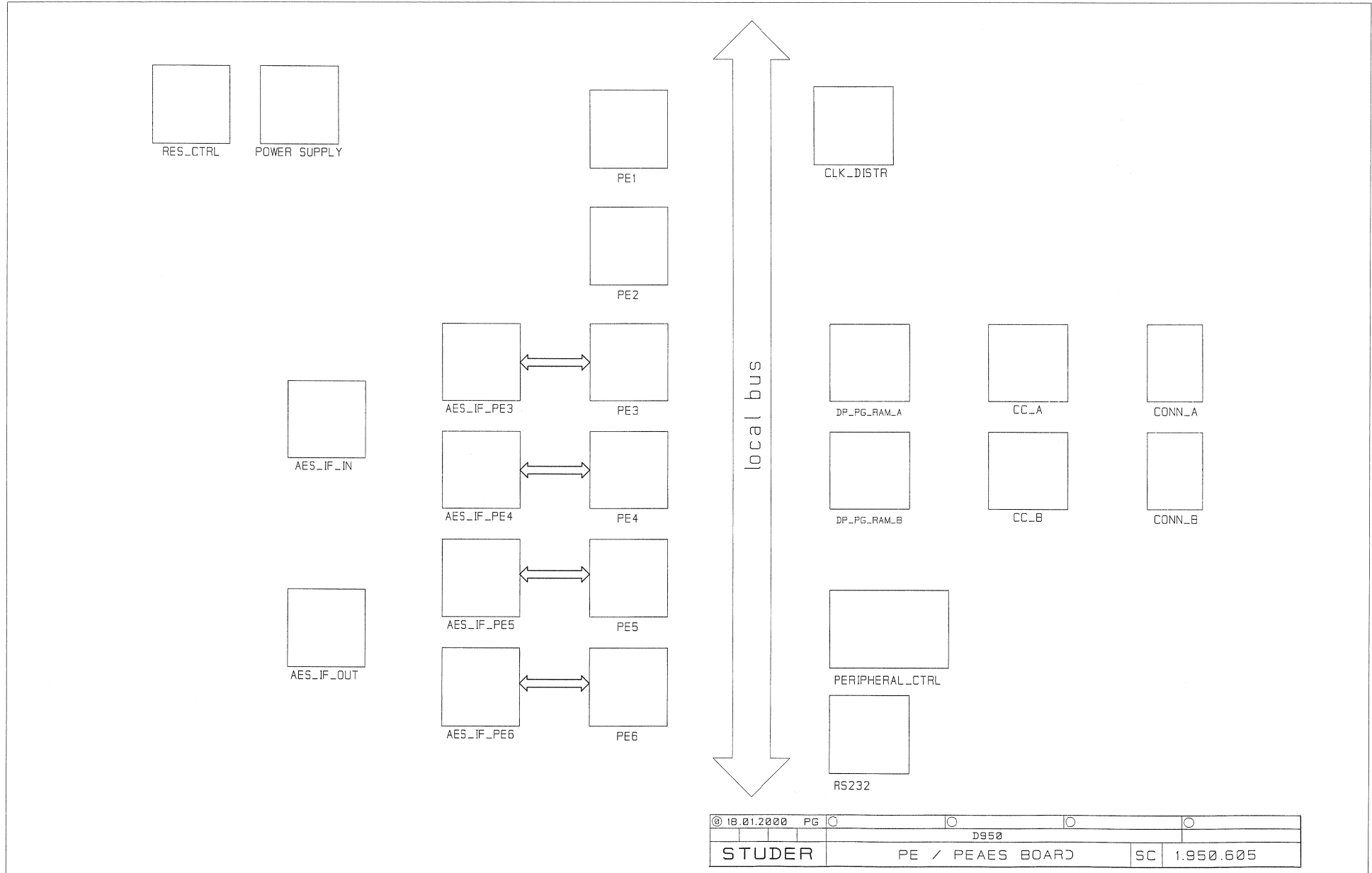
Core Back Plane 1.950.650.00

Idx	Pos.	Part No.	Qty.	Type/Val.	Description	Idx	Pos.	Part No.	Qty.	Type/Val.	Description	Idx	Pos.	Part No.	Qty.	Type/Val.	Description	Idx	Pos.	Part No.	Qty.	Type/Val.	Description
0	C 1	59.80.3337	100n		CER 50V, 10%, X7R, 0905	0	J 84	54.14.4019	16p		1/20" Au, gerade, Actionpin	0	JP 9	53.05.0147	1p		Kabelklemme mit 10 Action-Pins	0	R 449	57.80.1331	330R	MF, 1%, 0204, E24	
0	C 2	59.80.3337	100n		CER 50V, 10%, X7R, 0905	0	J 85	54.14.4018	16p		1/20" Au, gerade, Actionpin	0	JP 10	53.05.0147	1p		Kabelklemme mit 10 Action-Pins	0	R 450	57.80.1471	470R	MF, 1%, 0204, E24	
1	C 3	59.80.2345	89p		CER 50V, 5%, C0G, 0805	0	J 86	54.14.4018	16p		1/20" Au, gerade, Actionpin	0	JP 11	53.05.0147	1p		Kabelklemme mit 10 Action-Pins	0	R 451	57.80.1471	470R	MF, 1%, 0204, E24	
1	C 4	59.80.2345	89p		CER 50V, 5%, C0G, 0805	0	J 91	1.940.550.01			MESSELERLEISTE 96 pol DIN 41612	0	JP 12	53.05.0147	1p		Kabelklemme mit 10 Action-Pins	0	R 452	57.80.1331	330R	MF, 1%, 0204, E24	
1	C 5	59.80.2345	89p		CER 50V, 5%, C0G, 0805	0	J 92	1.940.550.01			MESSELERLEISTE 96 pol DIN 41612	0	JP 13	53.05.0147	1p		Kabelklemme mit 10 Action-Pins	0	R 453	57.80.1331	330R	MF, 1%, 0204, E24	
1	C 6	59.80.2345	89p		CER 50V, 5%, C0G, 0805	0	J 93	54.14.4018	16p		1/20" Au, gerade, Actionpin	0	JP 14	53.05.0147	1p		Kabelklemme mit 10 Action-Pins	0	R 454	57.80.1471	470R	MF, 1%, 0204, E24	
1	C 7	59.80.2345	89p		CER 50V, 5%, C0G, 0805	0	J 94	54.14.4018	16p		1/20" Au, gerade, Actionpin	0	JP 15	53.05.0147	1p		Kabelklemme mit 10 Action-Pins	0	R 455	57.80.1471	470R	MF, 1%, 0204, E24	
1	C 8	59.80.2345	89p		CER 50V, 5%, C0G, 0805	0	J 95	54.14.4018	16p		1/20" Au, gerade, Actionpin	0	JP 16	53.05.0147	1p		Kabelklemme mit 10 Action-Pins	0	R 456	57.80.1331	330R	MF, 1%, 0204, E24	
1	C 9	59.80.2345	89p		CER 50V, 5%, C0G, 0805	0	J 96	54.14.4018	16p		1/20" Au, gerade, Actionpin	0	JP 17	53.05.0147	1p		Kabelklemme mit 10 Action-Pins	0	R 457	57.80.1331	330R	MF, 1%, 0204, E24	
1	C 10	59.80.2345	89p		CER 50V, 5%, C0G, 0805	0	J 101	1.940.550.01			MESSELERLEISTE 96 pol DIN 41612	0	JP 18	53.05.0147	1p		Kabelklemme mit 10 Action-Pins	0	R 458	57.80.1471	470R	MF, 1%, 0204, E24	
1	C 11	59.80.2345	89p		CER 50V, 5%, C0G, 0805	0	J 102	1.940.550.01			MESSELERLEISTE 96 pol DIN 41612	0	JP 19	53.05.0147	1p		Kabelklemme mit 10 Action-Pins	0	R 459	57.80.1471	470R	MF, 1%, 0204, E24	
1	C 12	59.80.2345	89p		CER 50V, 5%, C0G, 0805	0	J 103	54.14.4018	16p		1/20" Au, gerade, Actionpin	0	JP 20	53.05.0147	1p		Kabelklemme mit 10 Action-Pins	0	R 460	57.80.1331	330R	MF, 1%, 0204, E24	
2	C 13	59.22.9532	390u		EL 8.3V, 20%, RM5, low ESR	0	J 104	54.14.4018	16p		1/20" Au, gerade, Actionpin	0	JP 21	54.01.0020	1p		Pin 0.63*0.63	0	R 461	57.80.1331	330R	MF, 1%, 0204, E24	
2	C 14	59.22.9532	390u		EL 8.3V, 20%, RM5, low ESR	0	J 105	54.14.4018	16p		1/20" Au, gerade, Actionpin							0	R 462	57.80.1471	470R	MF, 1%, 0204, E24	
2	C 15	59.22.9532	390u		EL 8.3V, 20%, RM5, low ESR	0	J 106	54.14.4018	16p		1/20" Au, gerade, Actionpin	0	MP 1	1.950.650.11			BACK PLANE PCB	0	R 463	57.80.1471	470R	MF, 1%, 0204, E24	
2	C 16	59.22.9532	390u		EL 8.3V, 20%, RM5, low ESR	0	J 111	1.940.550.01			MESSELERLEISTE 96 pol DIN 41612	0	MP 2	1.950.650.04			NR. ETIKETTE 5 * 20	0	R 464	57.80.1331	330R	MF, 1%, 0204, E24	
2	C 17	59.22.9532	390u		EL 8.3V, 20%, RM5, low ESR	0	J 112	1.940.550.01			MESSELERLEISTE 96 pol DIN 41612							0	R 465	57.80.1471	470R	MF, 1%, 0204, E24	
2	C 18	59.22.9532	390u		EL 8.3V, 20%, RM5, low ESR	0	J 113	54.14.4018	16p		1/20" Au, gerade, Actionpin	0	R 1	57.80.1560	56R	MF, 1%, 0204, E24		0	R 466	57.80.1471	470R	MF, 1%, 0204, E24	
2	C 19	59.22.9532	390u		EL 8.3V, 20%, RM5, low ESR	0	J 114	54.14.4018	16p		1/20" Au, gerade, Actionpin	0	R 2	57.80.1560	56R	MF, 1%, 0204, E24		0	R 467	57.80.1471	470R	MF, 1%, 0204, E24	
2	C 20	59.22.9532	390u		EL 8.3V, 20%, RM5, low ESR	0	J 115	54.14.4018	16p		1/20" Au, gerade, Actionpin	0	R 4	57.80.1560	56R	MF, 1%, 0204, E24		0	R 468	57.80.1331	330R	MF, 1%, 0204, E24	
2	C 21	59.22.9532	390u		EL 8.3V, 20%, RM5, low ESR	0	J 116	54.14.4018	16p		1/20" Au, gerade, Actionpin	0	R 5	57.80.1560	56R	MF, 1%, 0204, E24		0	R 469	57.80.1331	330R	MF, 1%, 0204, E24	
0	C 23	59.80.3337	100n		CER 50V, 10%, X7R, 0805	0	J 121	1.940.550.01			MESSELERLEISTE 96 pol DIN 41612	0	R 6	57.80.1560	56R	MF, 1%, 0204, E24		0	R 470	57.80.1471	470R	MF, 1%, 0204, E24	
0	C 24	59.80.3337	100n		CER 50V, 10%, X7R, 0805	0	J 122	1.940.550.01			MESSELERLEISTE 96 pol DIN 41612	0	R 7	57.80.1560	56R	MF, 1%, 0204, E24		0	R 471	57.80.1471	470R	MF, 1%, 0204, E24	
0	C 25	59.80.3337	100n		CER 50V, 10%, X7R, 0805	0	J 123	54.14.4018	16p		1/20" Au, gerade, Actionpin	0	R 8	57.80.1560	56R	MF, 1%, 0204, E24		0	R 472	57.80.1471	470R	MF, 1%, 0204, E24	
0	C 26	59.80.3337	100n		CER 50V, 10%, X7R, 0805	0	J 124	54.14.4018	16p		1/20" Au, gerade, Actionpin	0	R 9	57.80.1560	56R	MF, 1%, 0204, E24		0	R 473	57.80.1331	330R	MF, 1%, 0204, E24	
0	C 27	59.80.3337	100n		CER 50V, 10%, X7R, 0805	0	J 125	54.14.4018	16p		1/20" Au, gerade, Actionpin	0	R 10	57.80.1560	56R	MF, 1%, 0204, E24		0	R 474	57.80.1471	470R	MF, 1%, 0204, E24	
0	C 28	59.80.3337	100n		CER 50V, 10%, X7R, 0805	0	J 126	54.14.4018	16p		1/20" Au, gerade, Actionpin	1	R 11	57.80.1820	82R	MF, 1%, 0204, E24		0	R 475	57.80.1471	470R	MF, 1%, 0204, E24	
0	C 29	59.80.3337	100n		CER 50V, 10%, X7R, 0805	0	J 131	1.940.550.01			MESSELERLEISTE 96 pol DIN 41612	1	R 312	57.80.1820	82R	MF, 1%, 0204, E24		0	R 476	57.80.1331	330R	MF, 1%, 0204, E24	
0	C 30	59.80.3337	100n		CER 50V, 10%, X7R, 0805	0	J 132	1.940.550.01			MESSELERLEISTE 96 pol DIN 41612	1	R 313	57.80.1820	82R	MF, 1%, 0204, E24		0	R 477	57.80.1331	330R	MF, 1%, 0204, E24	
0	C 31	59.80.3337	100n		CER 50V, 10%, X7R, 0805	0	J 133	54.14.4018	16p		1/20" Au, gerade, Actionpin	1	R 314	57.80.1820	82R	MF, 1%, 0204, E24		0	R 478	57.80.1471	470R	MF, 1%, 0204, E24	
0	C 32	59.80.3337	100n		CER 50V, 10%, X7R, 0805	0	J 134	54.14.4018	16p		1/20" Au, gerade, Actionpin	1	R 315	57.80.1820	82R	MF, 1%, 0204, E24		0	R 479	57.80.1471	470R	MF, 1%, 0204, E24	
0	C 33	59.80.3337	100n		CER 50V, 10%, X7R, 0805	0	J 135	54.14.4018	16p		1/20" Au, gerade, Actionpin	1	R 316	57.80.1820	82R	MF, 1%, 0204, E24		0	R 480	57.80.1331	330R	MF, 1%, 0204, E24	
0	C 34	59.80.3337	100n		CER 50V, 10%, X7R, 0805	0	J 136	54.14.4018	16p		1/20" Au, gerade, Actionpin	1	R 317	57.80.1820	82R	MF, 1%, 0204, E24		0	R 481	57.80.1331	330R	MF, 1%, 0204, E24	
0	C 35	59.80.3337	100n		CER 50V, 10%, X7R, 0805	0	J 141	1.940.550.01			MESSELERLEISTE 96 pol DIN 41612	1	R 318	57.80.1820	82R	MF, 1%, 0204, E24		0	R 482	57.80.1471	470R	MF, 1%, 0204, E24	
0	C 36	59.80.3337	100n		CER 50V, 10%, X7R, 0805	0	J 142	1.940.550.01			MESSELERLEISTE 96 pol DIN 41612	1	R 319	57.80.1820	82R	MF, 1%, 0204, E24		0	R 483	57.80.1471	470R	MF, 1%, 0204, E24	
0	C 37	59.80.3337	100n		CER 50V, 10%, X7R, 0805	0	J 143	54.14.4018	16p		1/20" Au, gerade, Actionpin	0	R 320	57.80.1820	82R	MF, 1%, 0204, E24		0	R 484	57.80.1331	330R	MF, 1%, 0204, E24	
0	C 38	59.80.3337	100n		CER 50V, 10%, X7R, 0805	0	J 144	54.14.4018	16p		1/20" Au, gerade, Actionpin	0	R 400	57.80.1331	330R	MF, 1%, 0204, E24		0	R 485	57.80.1331	330R	MF, 1%, 0204, E24	
0	C 39	59.80.3337	100n		CER 50V, 10%, X7R, 0805	0	J 145	54.14.4018	16p		1/20" Au, gerade, Actionpin	0	R 401	57.80.1331	330R	MF, 1%, 0204, E24		0	R 486	57.80.1471	470R	MF, 1%, 0204, E24	
0	C 40	59.80.3337	100n		CER 50V, 10%, X7R, 0805	0	J 146	54.14.4018	16p		1/20" Au, gerade, Actionpin	0	R 402	57.80.1471	470R	MF, 1%, 0204, E24		0	R 487	57.80.1471	470R	MF, 1%, 0204, E24	
0	C 41	59.80.3337	100n		CER 50V, 10%, X7R, 0805	0	J 149	1.940.550.01			MESSELERLEISTE 96 pol DIN 41612	0	R 405	57.80.1331	330R	MF, 1%, 0204, E24		0	R 488	57.80.1331	330R	MF, 1%, 0204, E24	
0						0	J 152	1.940.550.01			MESSELERLEISTE 96 pol DIN 41612	0	R 403	57.80.1471	470R	MF, 1%, 0204, E24		0	R 489	57.80.1331	330R	MF, 1%, 0204, E24	
0						0	J 153	54.14.4018	16p		1/20" Au, gerade, Actionpin	0	R 404	57.80.1331	330R	MF, 1%, 0204, E24		0	R 490	57.80.1471	470R	MF, 1%, 0204, E24	
0						0	J 154	54.14.4018	16p		1/20" Au, gerade, Actionpin	0	R 406	57.80.1471	470R	MF, 1%, 0204, E24		0	R 491	57.80.1471	470R	MF, 1%, 0204, E24	
0						0	J 155	54.14.4018	16p		1/20" Au, gerade, Actionpin	0	R 407	57.80.1471	470R	MF, 1%, 0204, E24		0	R 492	57.80.1331	330R	MF, 1%, 0204, E24	
0	J 8	54.01.0020	1p		Pin 0.63*0.63	0	J 156	54.14.4018	16p		1/20" Au, gerade, Actionpin	0	R 408	57.80.1331	330R	MF, 1%, 0204, E24		0	R 493	57.80.1331	330R	MF, 1%, 0204, E24	
0	J 10	54.01.0020	1p		Pin 0.63*0.63	0	J 159	54.14.4018	16p		1/20" Au, gerade, Actionpin	0	R 409	57.80.1331	330R	MF, 1%, 0204, E24		0	R 494	57.80.1471	470R	MF, 1%, 0204, E24	
0	J 11	1.940.550.01			MESSELERLEISTE 96 pol DIN 41612	0	J 161	1.940.550.01			MESSELERLEISTE 96 pol DIN 41612	0	R 410	57.80.1331	330R	MF, 1%, 0204, E24		0	R 495	57.80.1471	470R	MF, 1%, 0204, E24	
0	J 12	1.940.550.01			MESSELERLEISTE 96 pol DIN 41612	0	J 162	1.940.550.01			MESSELERLEISTE 96 pol DIN 41612	0	R 411	57.80.1471	470R	MF, 1%, 0204, E24		0	R 496	57.80.1331	330R	MF, 1%, 0204, E24	
0	J 21	1.940.550.01			MESSELERLEISTE 96 pol DIN 41612	0	J 163	54.14.4018	16p		1/20" Au, gerade, Actionpin	0	R 412	57.80.1331	330R	MF, 1%, 0204, E24		0	R 497	57.80.1331	330R	MF, 1%, 0204, E24	
0	J 22	1.940.550.01			MESSELERLEISTE 96 pol DIN 41612	0	J 164	54.14.4018	16p		1/20" Au, gerade, Actionpin	0	R 413	57.80.1331	3								

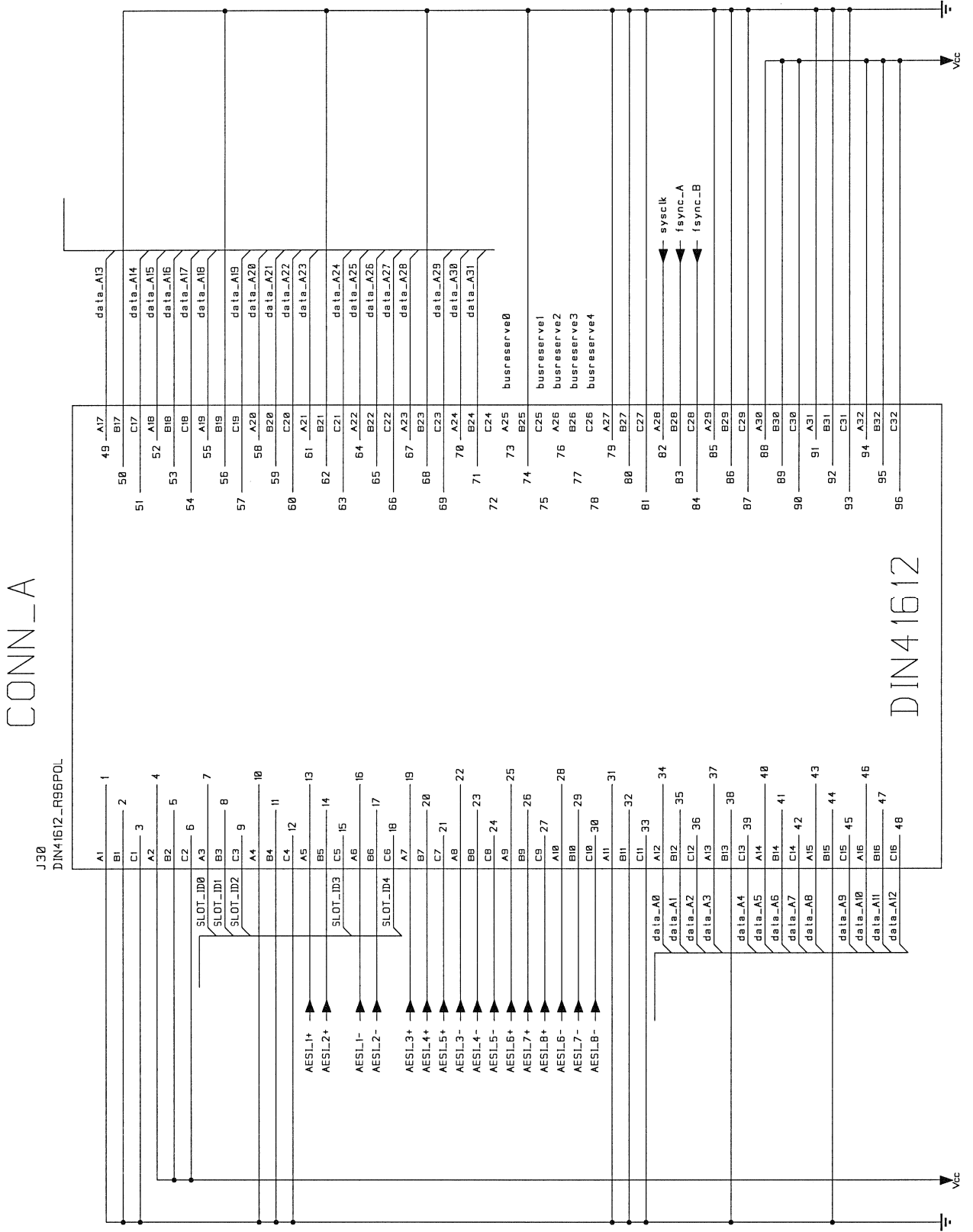
DIAGRAMS PE/PEAES BOARD

	Assembly No.	Diagram	Component Layout	Parts List
<i>Block Diagram PEAES Board</i>	1.950.605	-	-	-
<i>Block Diagram PE Board</i>	1.950.610			
PEAES Board	1.950.605.26	1.950.605.26	1.950.605.26	1.950.605.26
PE Board	1.950.610.26		1.950.610.26	1.950.610.26

Block Diagram
 PEAES Board 1.950.605
 PE Board 1.950.610

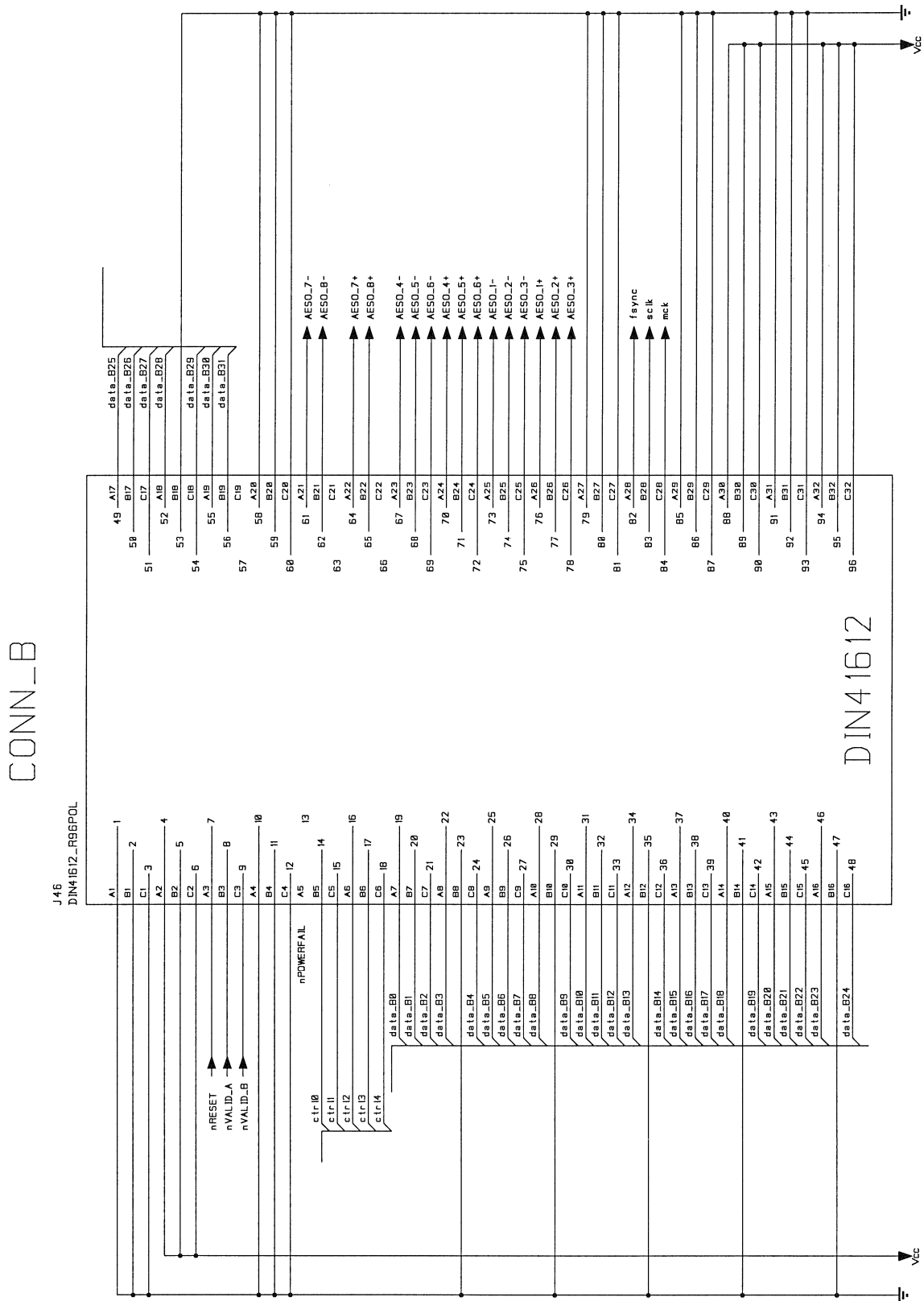


PEAES Board 1.950.605.26 (0)
PE Board 1.950.610.26 (0)

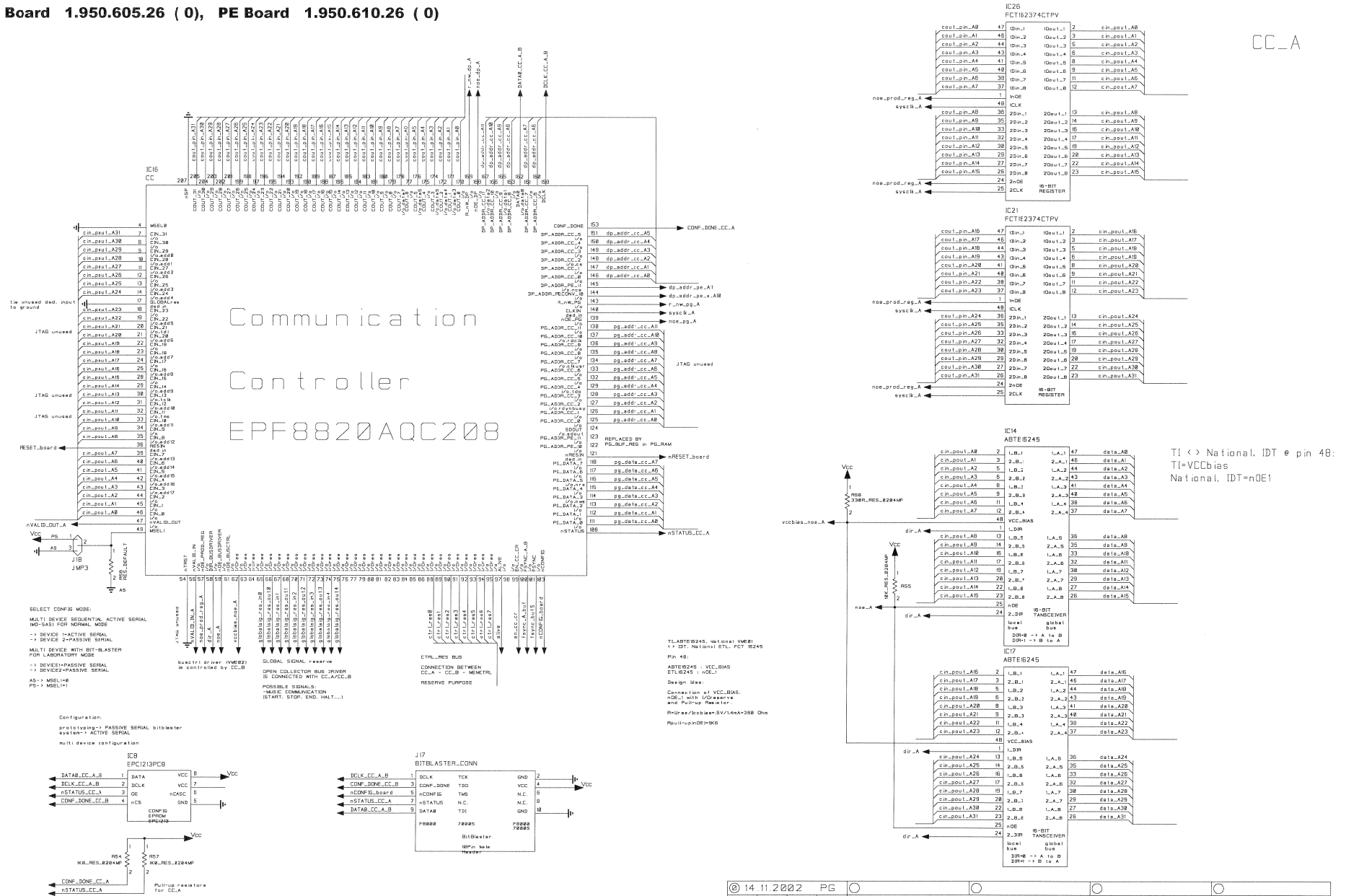


© 14.11.2002	PG									
STUDER							PE / PEAES BOARD			PAGE 1 of 23
							1.950.605.26			

PEAES Board 1.950.605.26 (0)
PE Board 1.950.610.26 (0)

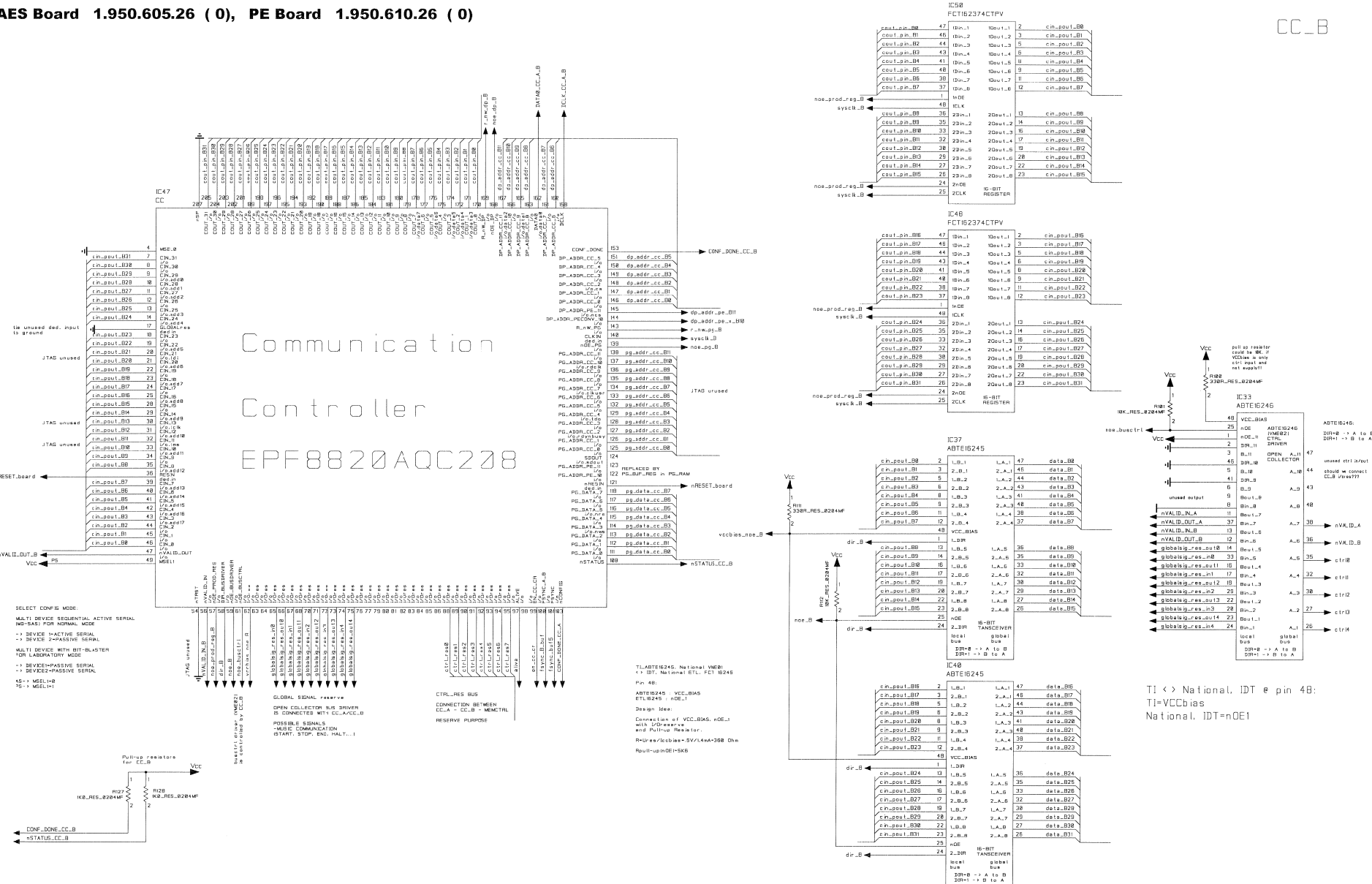


PEAES Board 1.950.605.26 (0), PE Board 1.950.610.26 (0)

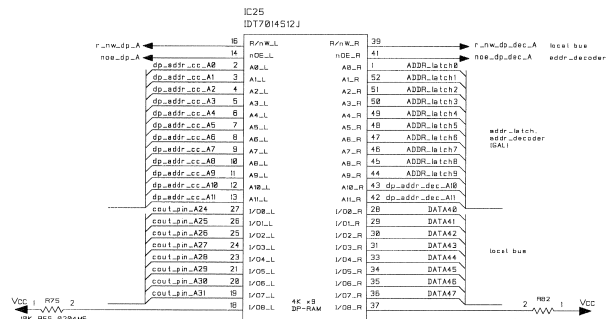
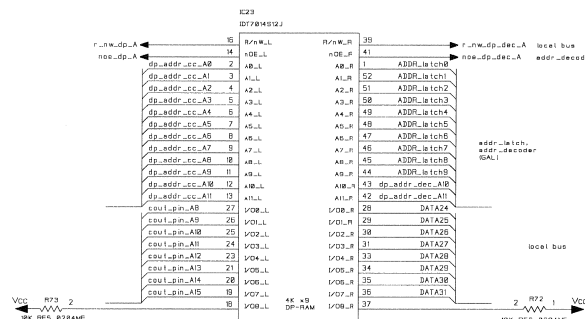
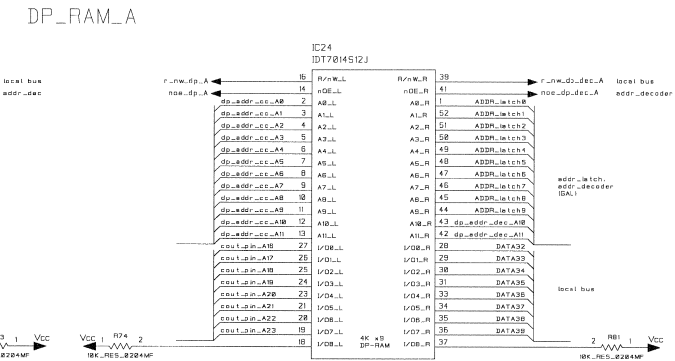
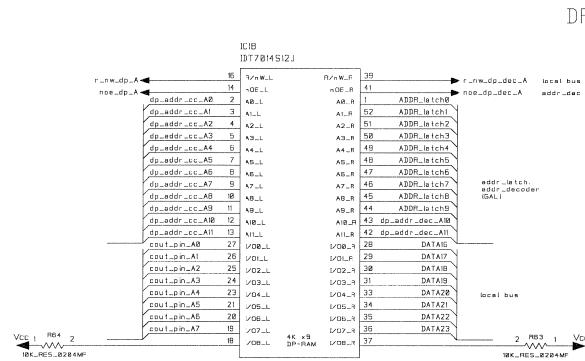
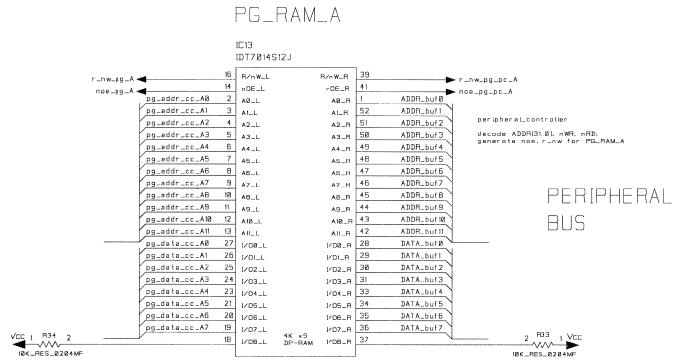


Communication Controller EPF8820AQC208

PEAES Board 1.950.605.26 (0), PE Board 1.950.610.26 (0)

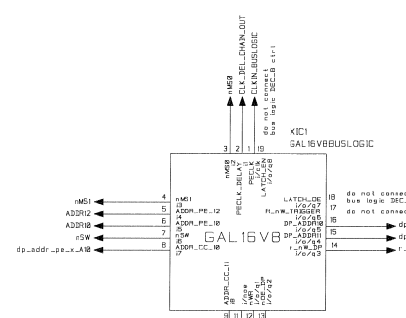


PEAES Board 1.950.605.26 (0), PE Board 1.950.610.26 (0)



DP_RAM_A/B:
nMS0 -> DP_A/B read
nMS1 -> DP_A/B write

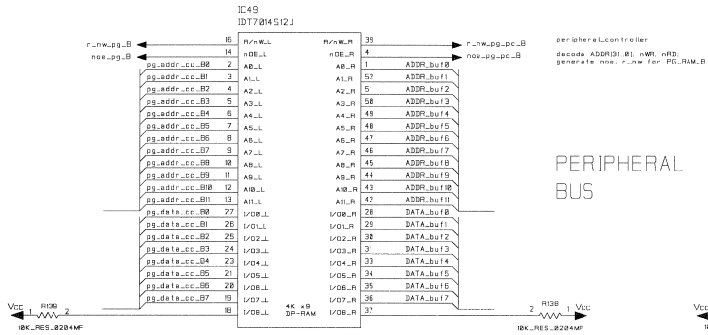
ADDR_DECODER_A



- >PG_bitmap_A offset: 0x30400fff
- >ccmode_A: 0x30400ffe
- >PG_bitmap_B offset: 0x30401fff
- >ccmode_B: 0x30401ffe

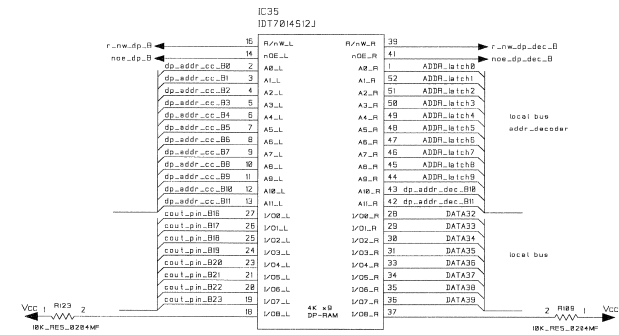
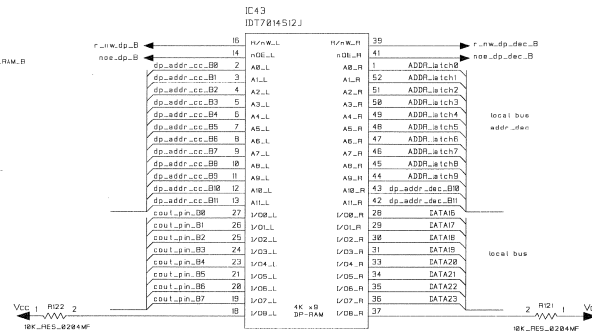
PEAES Board 1.950.605.26 (0), PE Board 1.950.610.26 (0)

PG_RAM_B

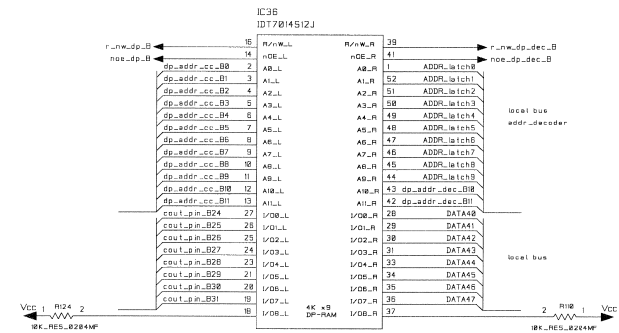
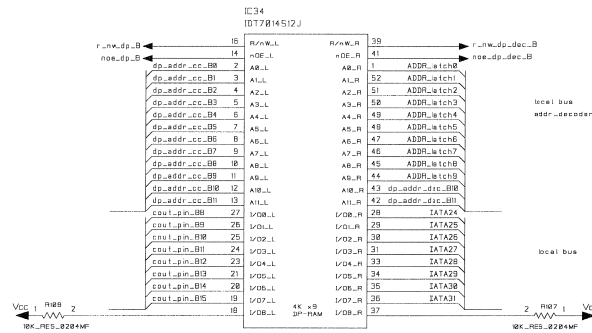


PERIPHERAL BUS

DP_RAM_B

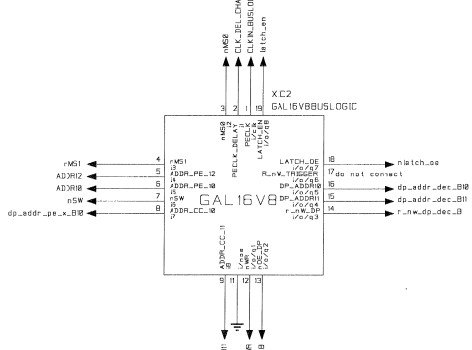


DP_RAM_A/B:
 nMS0 -> DP_A/B read
 nMS1 -> DP_A/B write

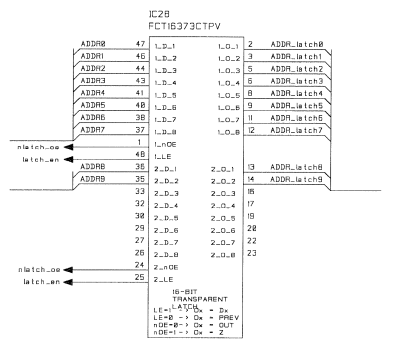


ADDR_DECODER_B

->PG_bitmap_A offset: 0x30400fff
 ->ccmode_A: 2x30400ffe
 ->PG_bitmap_B offset: 0x30401fff
 ->ccmode_B: 2x30401ffe



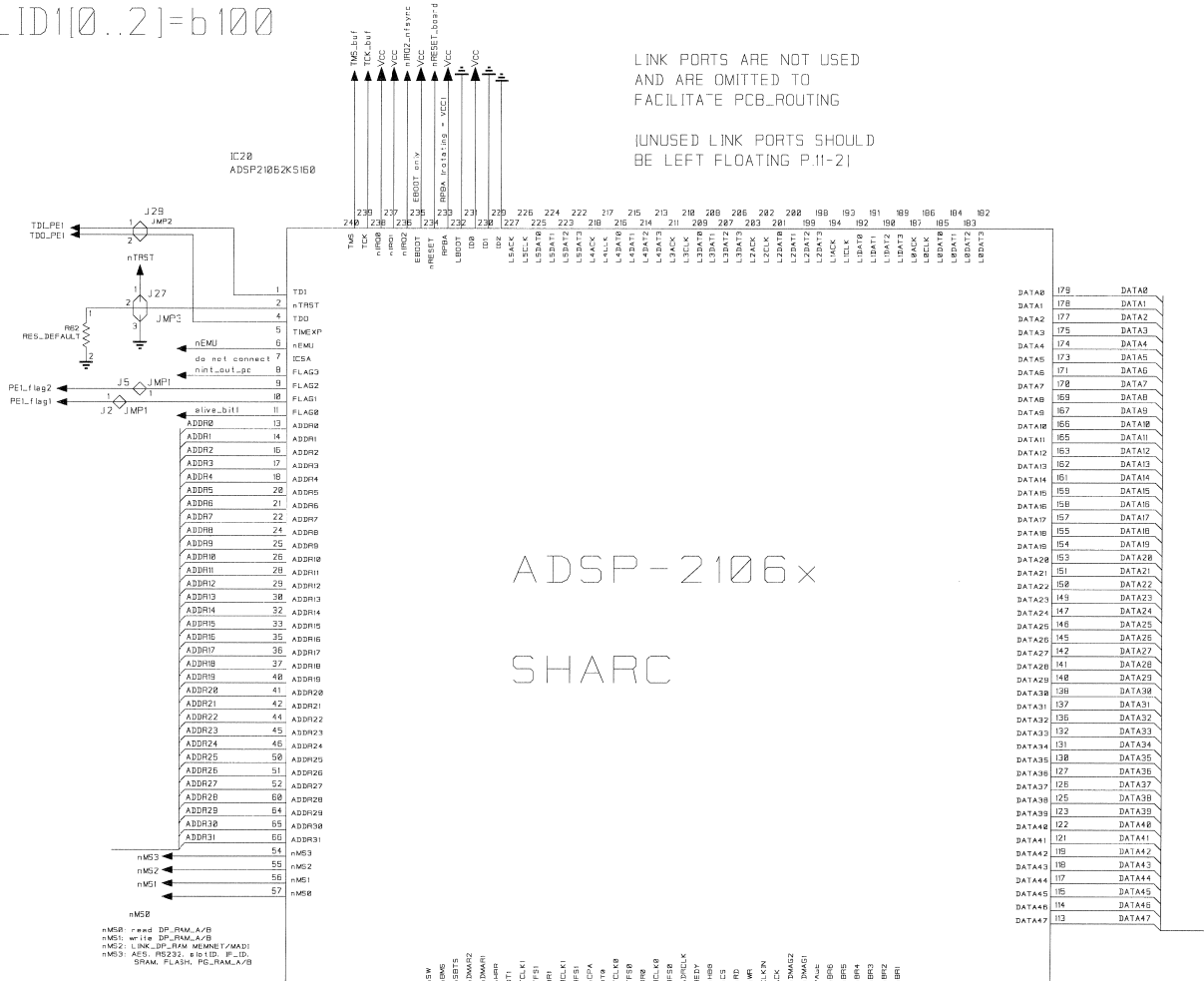
ADDR_LATCH_DP_A/B



PEAES Board 1.950.605.26 (0), PE Board 1.950.610.26 (0)

PE_ID1[0..2]=b100

PE_1

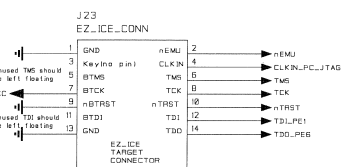
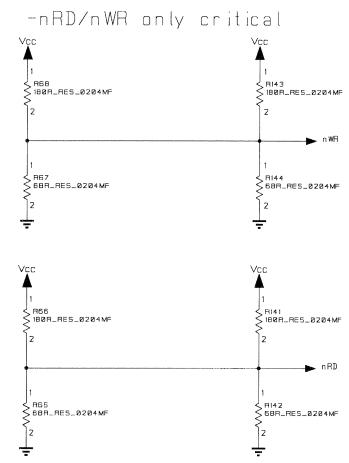


LINK PORTS ARE NOT USED AND ARE OMITTED TO FACILITATE PCB ROUTING

UNUSED LINK PORTS SHOULD BE LEFT FLOATING P11-21

ADSP-2106x SHARC

PARALLEL TERMINATION ON LOCAL BUS



BOUNDARY SCAN board testing is not implemented!!! TCK,TMS are buffered (Peripheral Ctrl sheet)

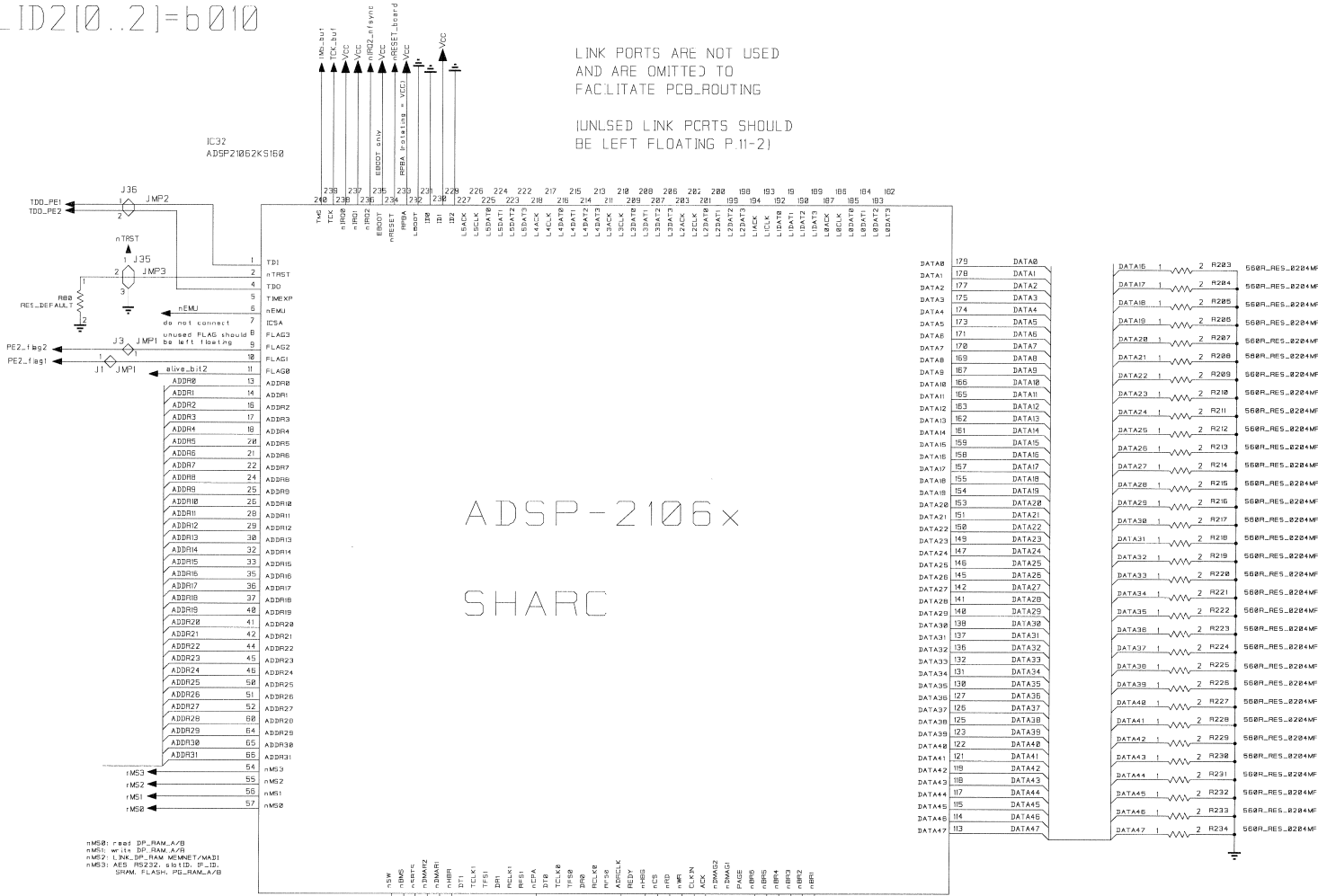
```
nIRQ2=nsfync
comment:
nIRQ2 has highest priority
nIRQ has to be active low (edge or level sensitivel)
-> invert fsync (periph_ctrll)
```

PEAES Board 1.950.605.26 (0), PE Board 1.950.610.26 (0)

PE_ID2[0..2]=b 010

PE_2

LINK PORTS ARE NOT USED AND ARE OMITTED TO FACILITATE PCB_ROUTING UNLSEED LINK PCRTS SHOULD BE LEFT FLOATING P.11-21



ADSP-2106x SHARC

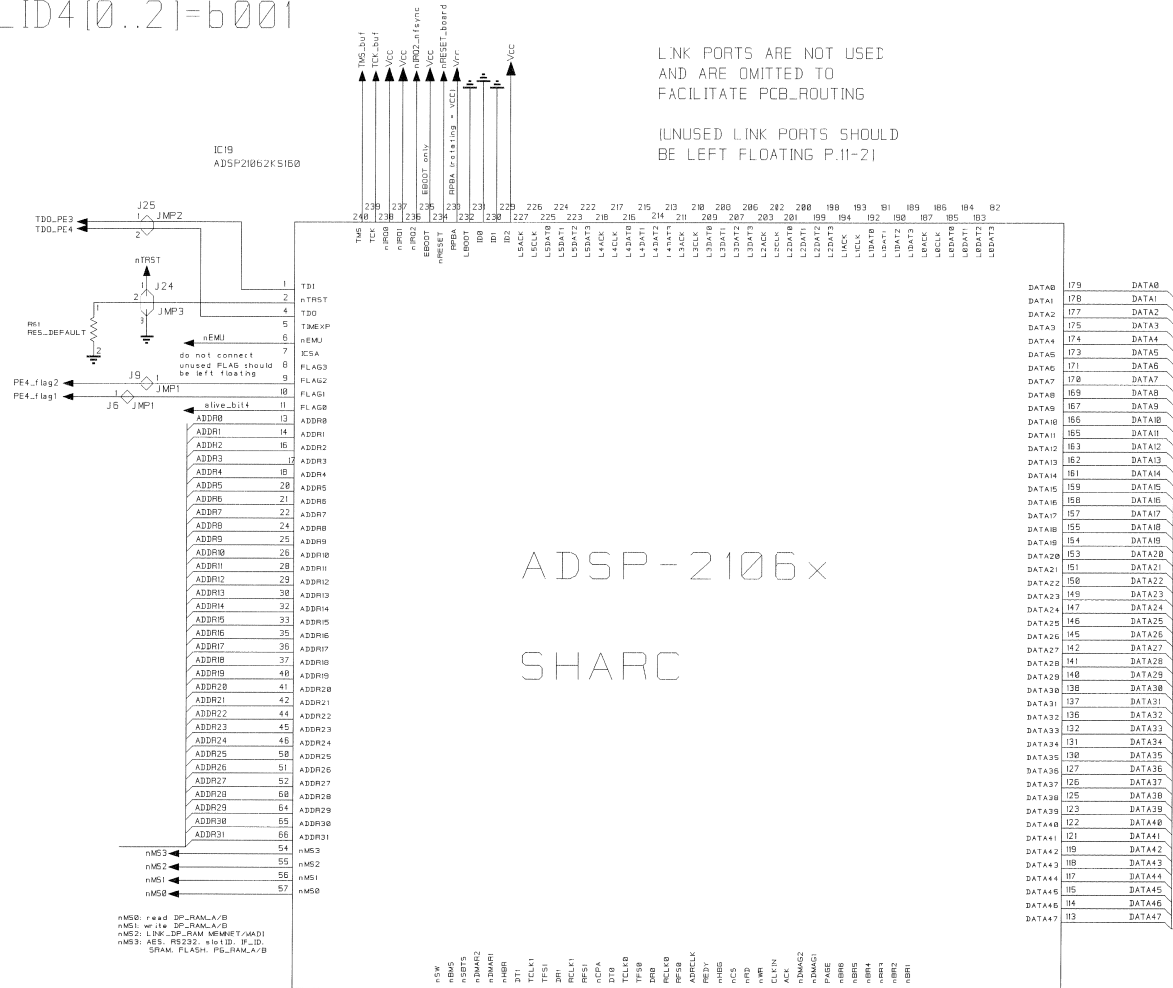
DATA0	179	DATA0
DATA1	178	DATA1
DATA2	177	DATA2
DATA3	176	DATA3
DATA4	174	DATA4
DATA5	173	DATA5
DATA6	171	DATA6
DATA7	170	DATA7
DATA8	169	DATA8
DATA9	167	DATA9
DATA10	166	DATA10
DATA11	165	DATA11
DATA12	163	DATA12
DATA13	162	DATA13
DATA14	161	DATA14
DATA15	159	DATA15
DATA16	158	DATA16
DATA17	157	DATA17
DATA18	155	DATA18
DATA19	154	DATA19
DATA20	153	DATA20
DATA21	151	DATA21
DATA22	150	DATA22
DATA23	149	DATA23
DATA24	147	DATA24
DATA25	146	DATA25
DATA26	145	DATA26
DATA27	142	DATA27
DATA28	141	DATA28
DATA29	140	DATA29
DATA30	138	DATA30
DATA31	137	DATA31
DATA32	136	DATA32
DATA33	132	DATA33
DATA34	131	DATA34
DATA35	130	DATA35
DATA36	127	DATA36
DATA37	126	DATA37
DATA38	125	DATA38
DATA39	123	DATA39
DATA40	122	DATA40
DATA41	121	DATA41
DATA42	119	DATA42
DATA43	118	DATA43
DATA44	117	DATA44
DATA45	115	DATA45
DATA46	114	DATA46
DATA47	113	DATA47
DATA17	1	R203
DATA18	1	R204
DATA19	1	R205
DATA20	1	R206
DATA21	1	R207
DATA22	1	R208
DATA23	1	R210
DATA24	1	R211
DATA25	1	R212
DATA26	1	R213
DATA27	1	R214
DATA28	1	R215
DATA29	1	R216
DATA30	1	R217
DATA31	1	R218
DATA32	1	R219
DATA33	1	R220
DATA34	1	R221
DATA35	1	R222
DATA36	1	R223
DATA37	1	R224
DATA38	1	R225
DATA39	1	R226
DATA40	1	R227
DATA41	1	R228
DATA42	1	R229
DATA43	1	R230
DATA44	1	R232
DATA45	1	R233
DATA46	1	R234
DATA47	1	R234
		568L_RES_0204MF
		568L_RES_0204MF
		568L_RES_0204MF
		568L_RES_0204MF
		568L_RES_0204MF
		568L_RES_0204MF
		568L_RES_0204MF
		568L_RES_0204MF
		568L_RES_0204MF
		568L_RES_0204MF
		568L_RES_0204MF
		568L_RES_0204MF
		568L_RES_0204MF
		568L_RES_0204MF
		568L_RES_0204MF
		568L_RES_0204MF
		568L_RES_0204MF
		568L_RES_0204MF
		568L_RES_0204MF
		568L_RES_0204MF
		568L_RES_0204MF
		568L_RES_0204MF
		568L_RES_0204MF
		568L_RES_0204MF
		568L_RES_0204MF
		568L_RES_0204MF
		568L_RES_0204MF
		568L_RES_0204MF
		568L_RES_0204MF
		568L_RES_0204MF
		568L_RES_0204MF
		568L_RES_0204MF

MS0: #001 DP_RAM_A/B
 MS1: #010 DP_RAM_A/B
 MS2: #100 DP_RAM_A/B
 MS3: #01100 DP_RAM_A/B
 MS4: #011010 DP_RAM_A/B

PEAES Board 1.950.605.26 (0), PE Board 1.950.610.26 (0)

PE_ID4[0..2]=b001

PE_4



```

nMS0 read DP_RAM_A/D
nMS1 write DP_RAM_A/D
nMS2 LHM_DP_RAM_MEMORY/ADD1
nMS3 AES_RS232_nSID_IF_ID_
SRAM_FLASH_PG_RAM_A/D

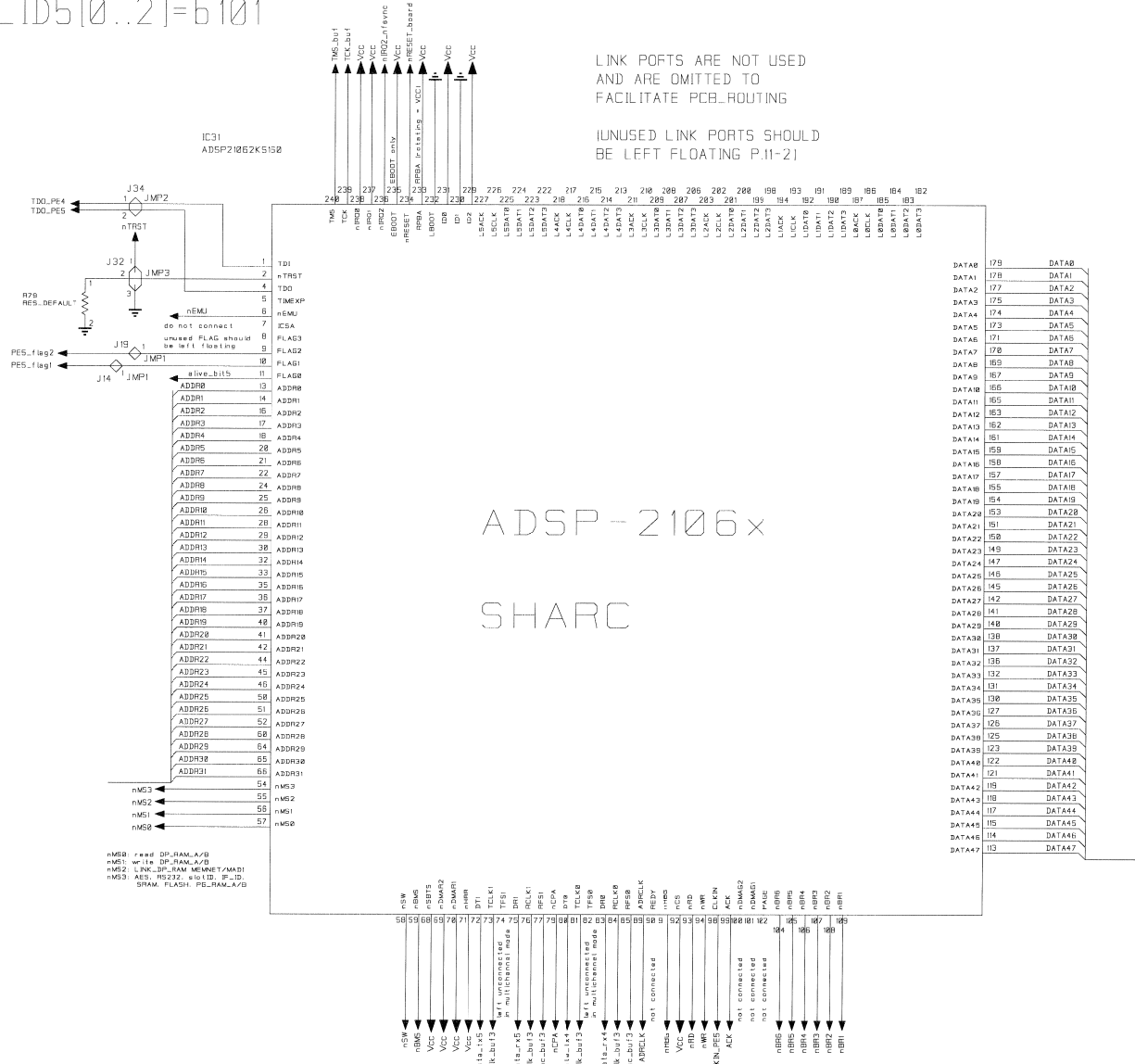
```

SPI connection:
 SPI in multichannel mode
 each PE and its attached AES_LIFs
 have separate fsync, scl, mck signals
 from the clock driver.
 The sdata line are Point-to-Point connections
 FS and SCLK are inputs for the PE and the LIFs

PEAES Board 1.950.605.26 (0), PE Board 1.950.610.26 (0)

PE_ID5[0..2]=b101

PE_5



LINK PORTS ARE NOT USED
AND ARE OMITTED TO
FACILITATE PCB ROUTING

UNUSED LINK PORTS SHOULD
BE LEFT FLOATING P.11-21

ADSP-2106x
SHARC

SPORT connection:
SPORT in multichannel mode
each PE and the attached AES-LTPs
have separate fsync, nck, mcl signals
from the clock driver.

The sdsw line are Point-to-Point connections
FS and SELK are inputs for the PE and the LTPs

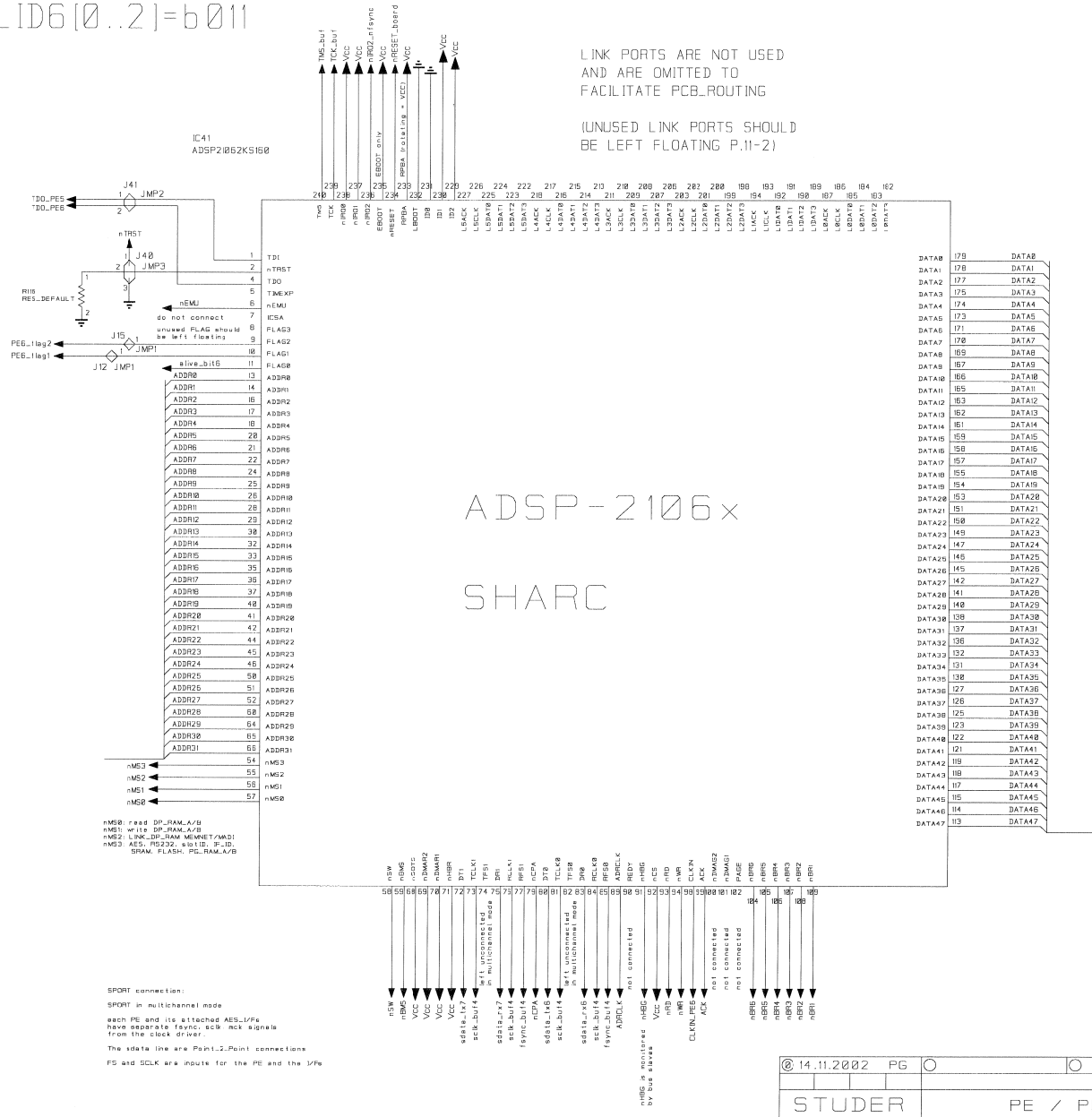
PEAES Board 1.950.605.26 (0), PE Board 1.950.610.26 (0)

PE_ID6[0..2]=b011

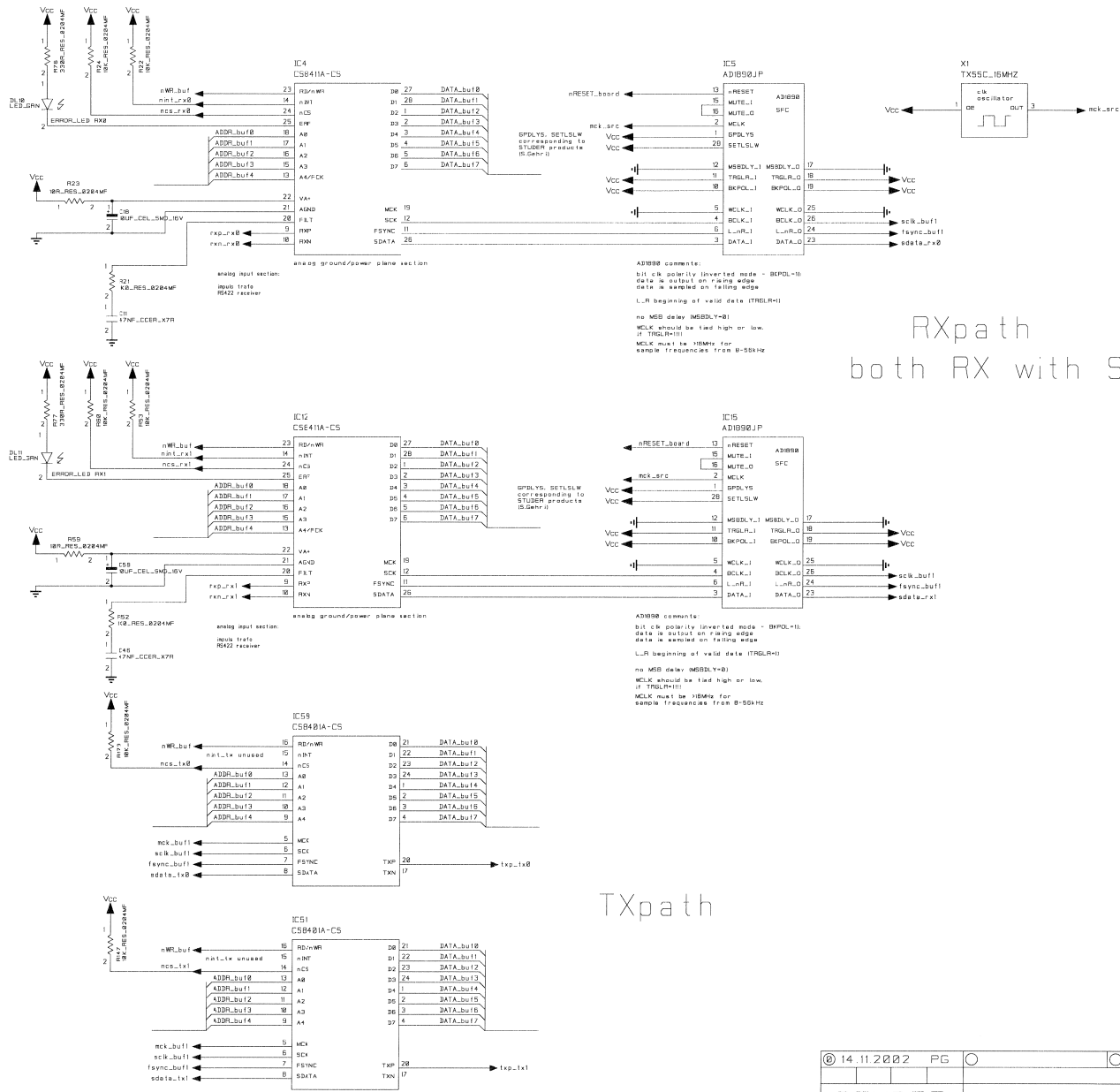
PE_6

LINK PORTS ARE NOT USED
AND ARE OMITTED
FACILITATE PCB ROUTING

(UNUSED LINK PORTS SHOULD
BE LEFT FLOATING P.11-2)



PEAES Board 1.950.605.26 (0), PE Board 1.950.610.26 (0)

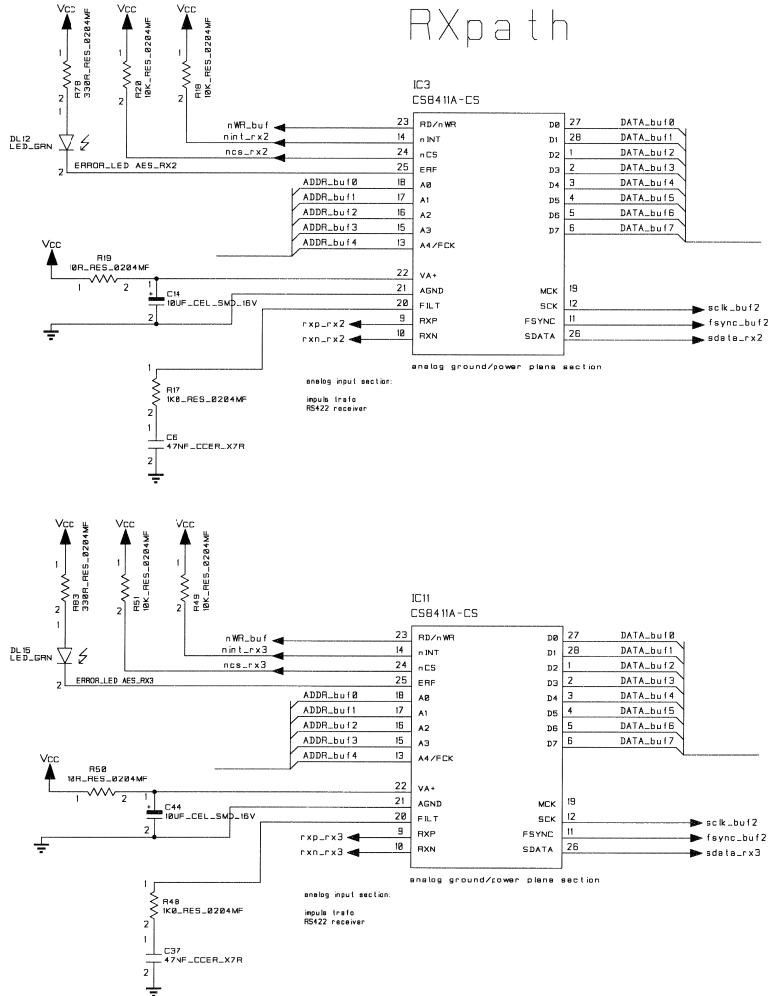


AES_IF_PE3
 RX0; RX1
 SRC0; SRC1
 TX0; TX1

RXpath
 both RX with SRC!!

Txpath

PEAES Board 1.950.605.26 (0), PE Board 1.950.610.26 (0)

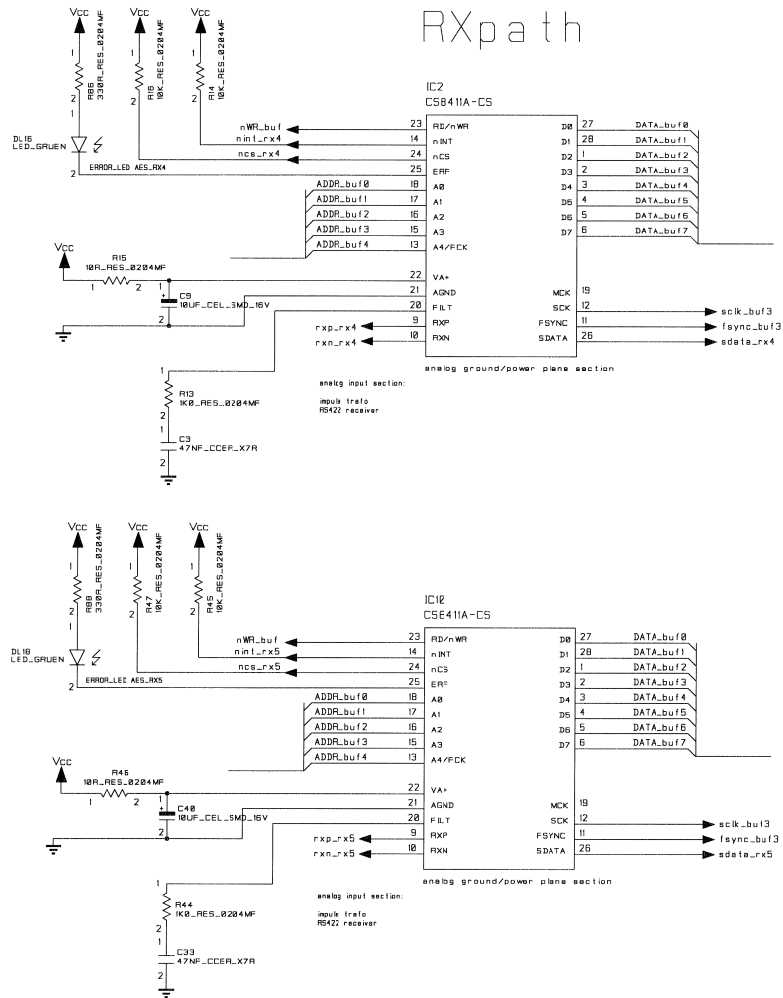


AES_IF_PE4

RX2; RX3

TX2; TX3

PEAES Board 1.950.605.26 (0), PE Board 1.950.610.26 (0)



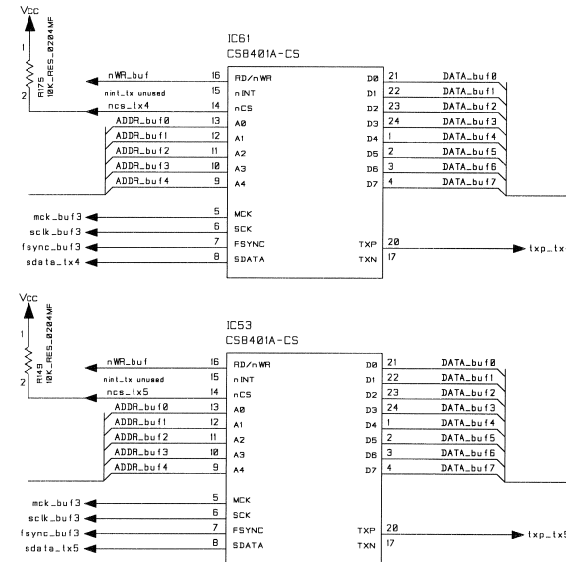
RX path

TX path

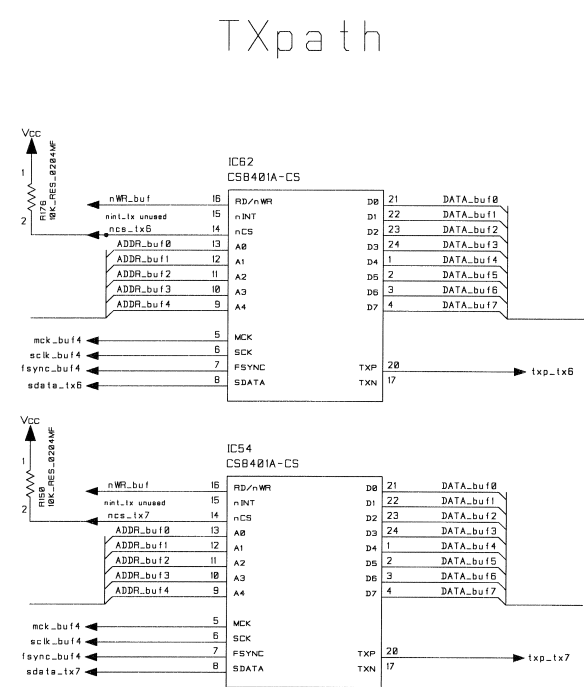
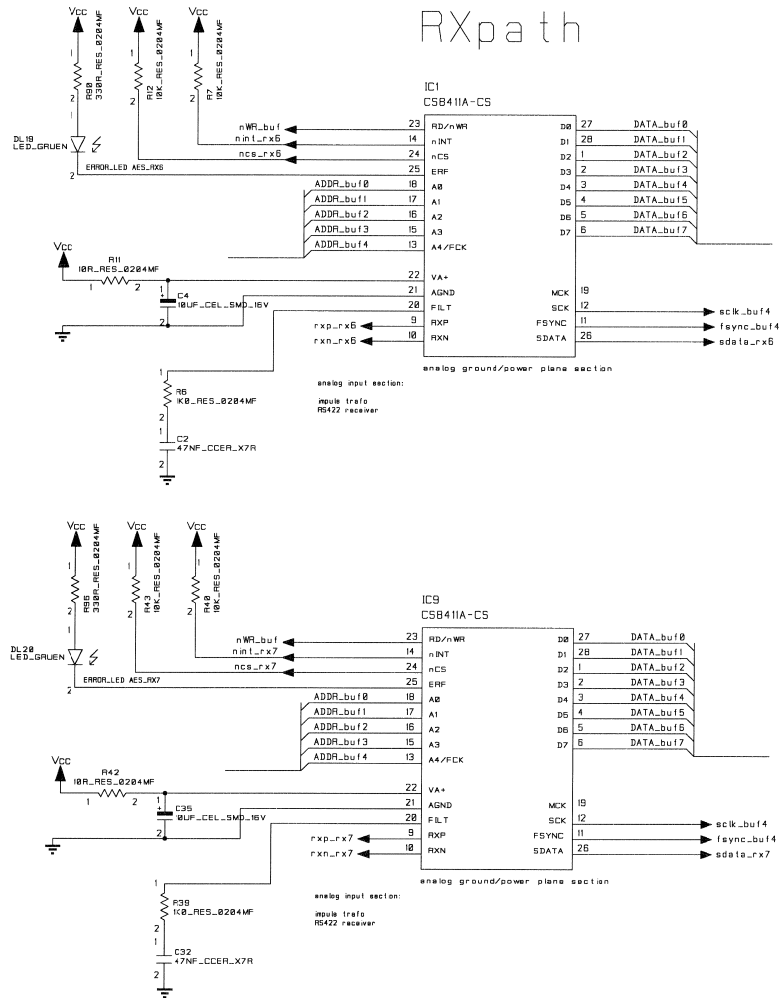
AES_IF_PE5

RX4; RX5

TX4; TX5



PEAES Board 1.950.605.26 (0), PE Board 1.950.610.26 (0)

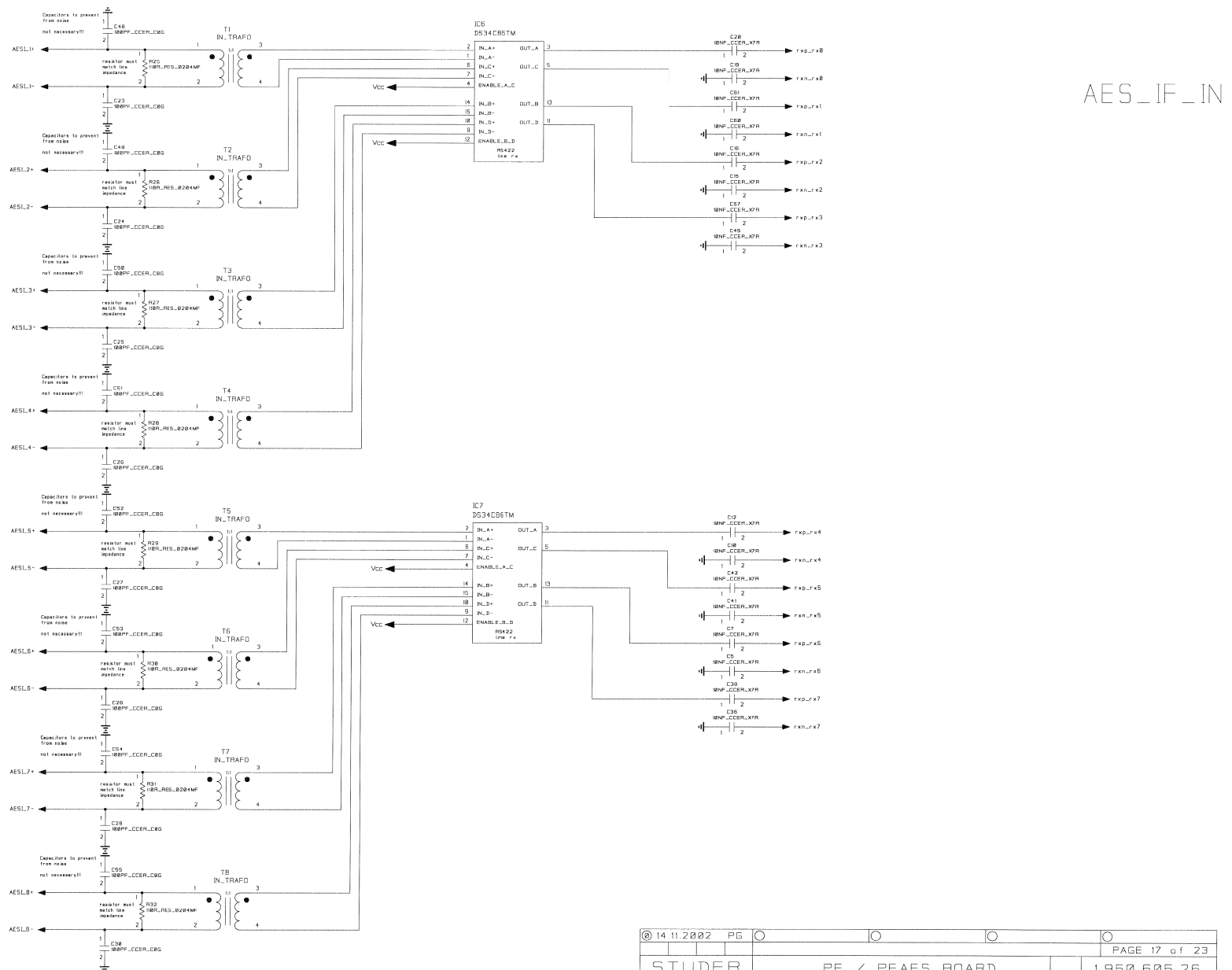


AES_IF_PE6

RX6; RX7

TX6; TX7

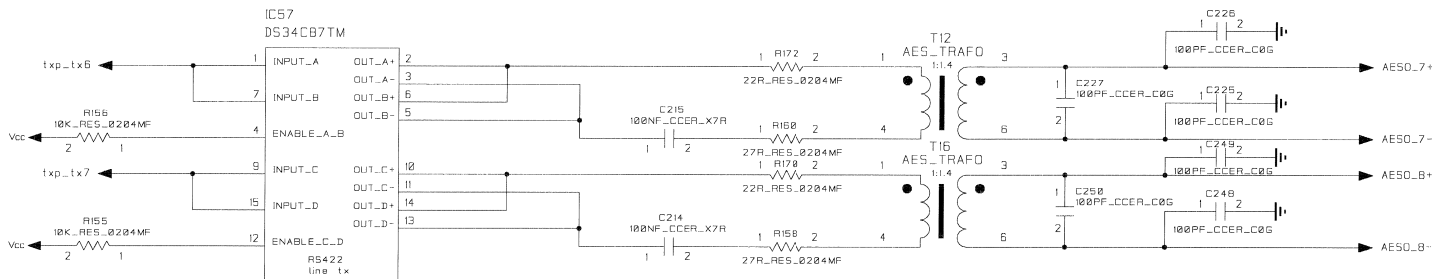
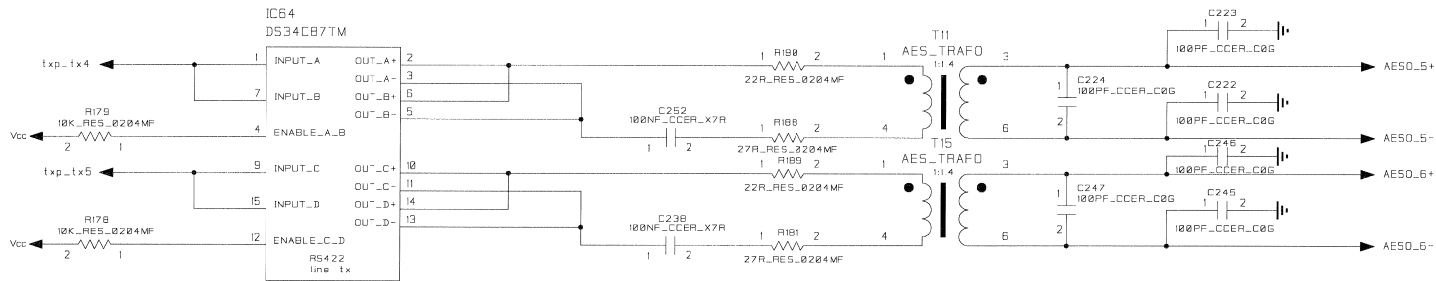
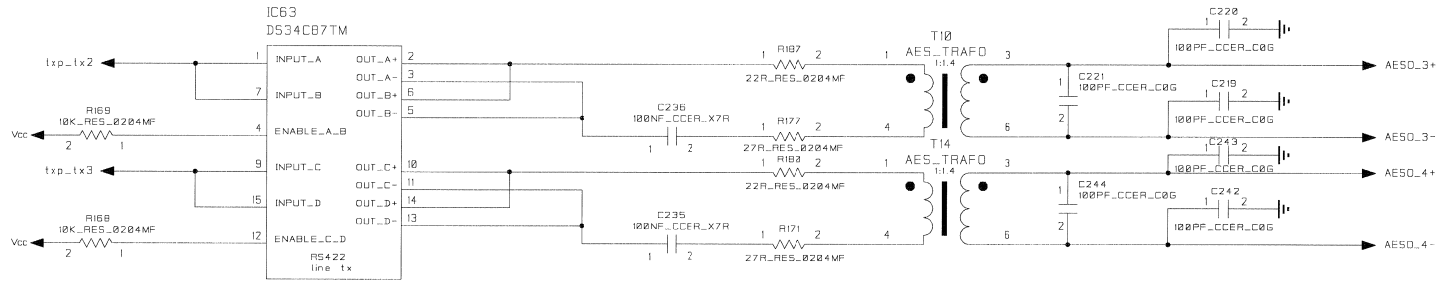
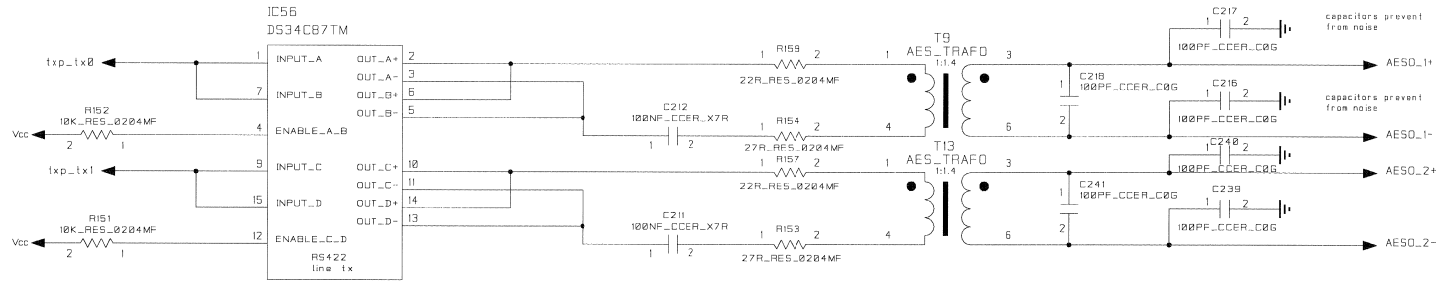
PEAES Board 1.950.605.26 (0), PE Board 1.950.610.26 (0)



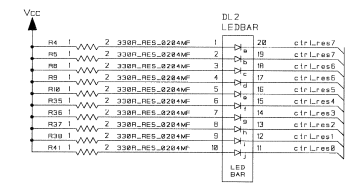
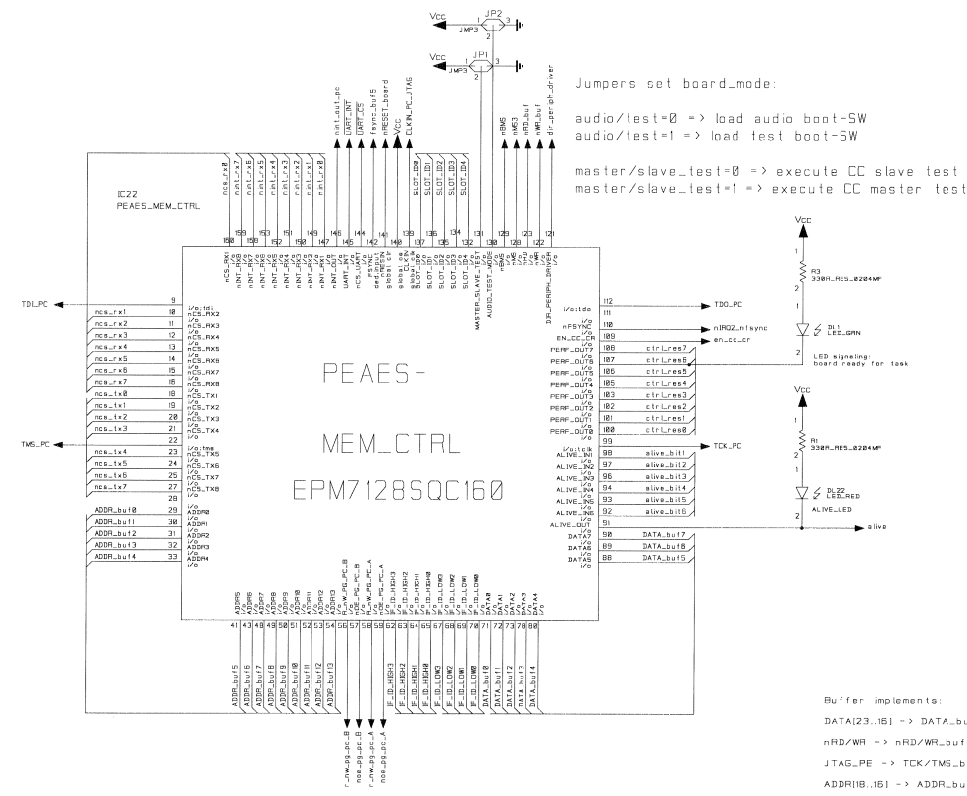
AES_IF_IN

PEAES Board 1.950.605.26 (0), PE Board 1.950.610.26 (0)

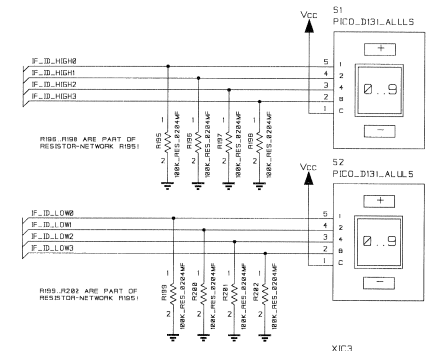
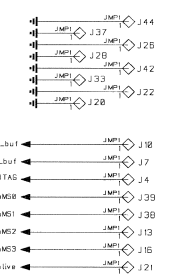
AES_IF_OUT



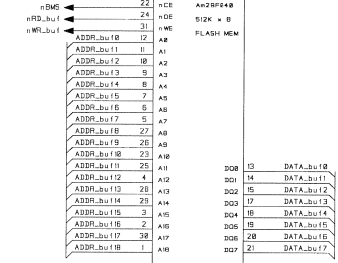
PEAES Board 1.950.605.26 (0), PE Board 1.950.610.26 (0)



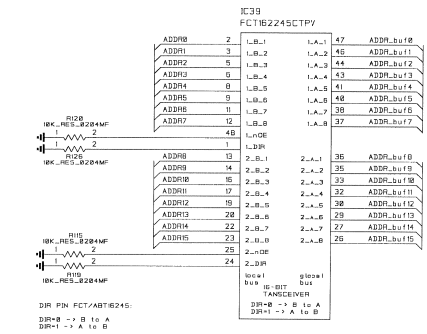
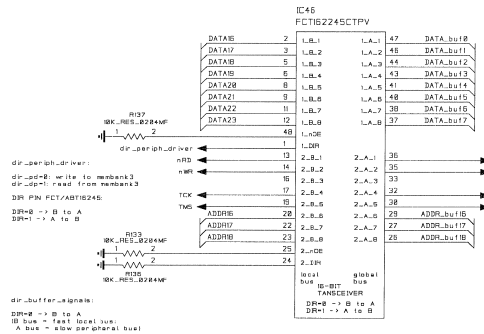
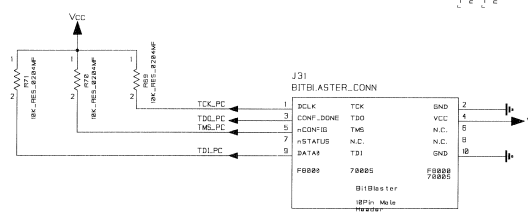
TEST POINTS



XIC3 AM29F048-70_C

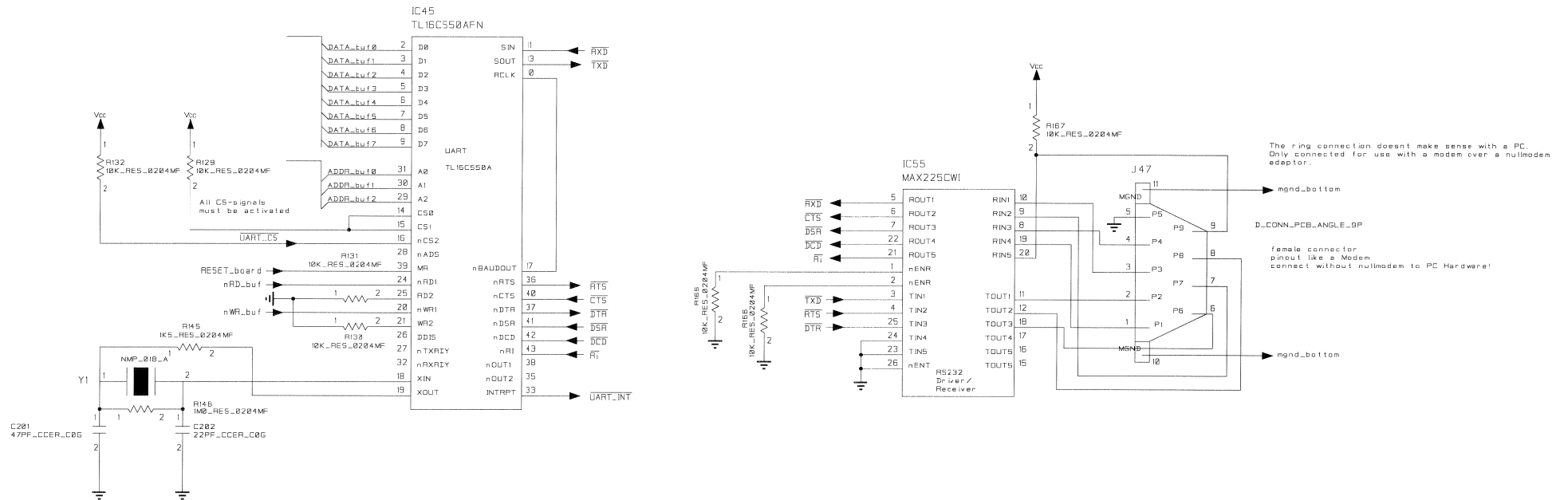


Buffer implements:
 DATA[23..15] -> DATA_bu1[7..0]
 nRD/nWR -> nRD/nWR_bu1
 JTAG_PE -> TCK/TMS_bu1
 ADDR[15..1] -> ADDR_bu1[15..1]

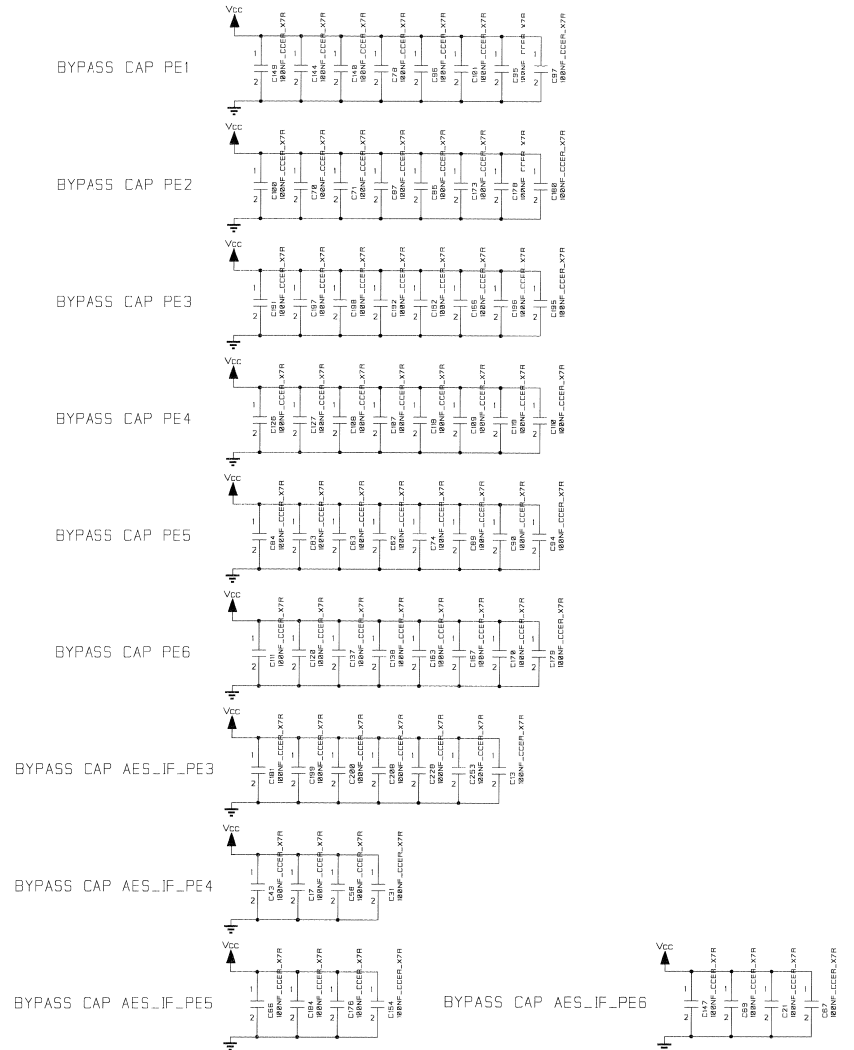
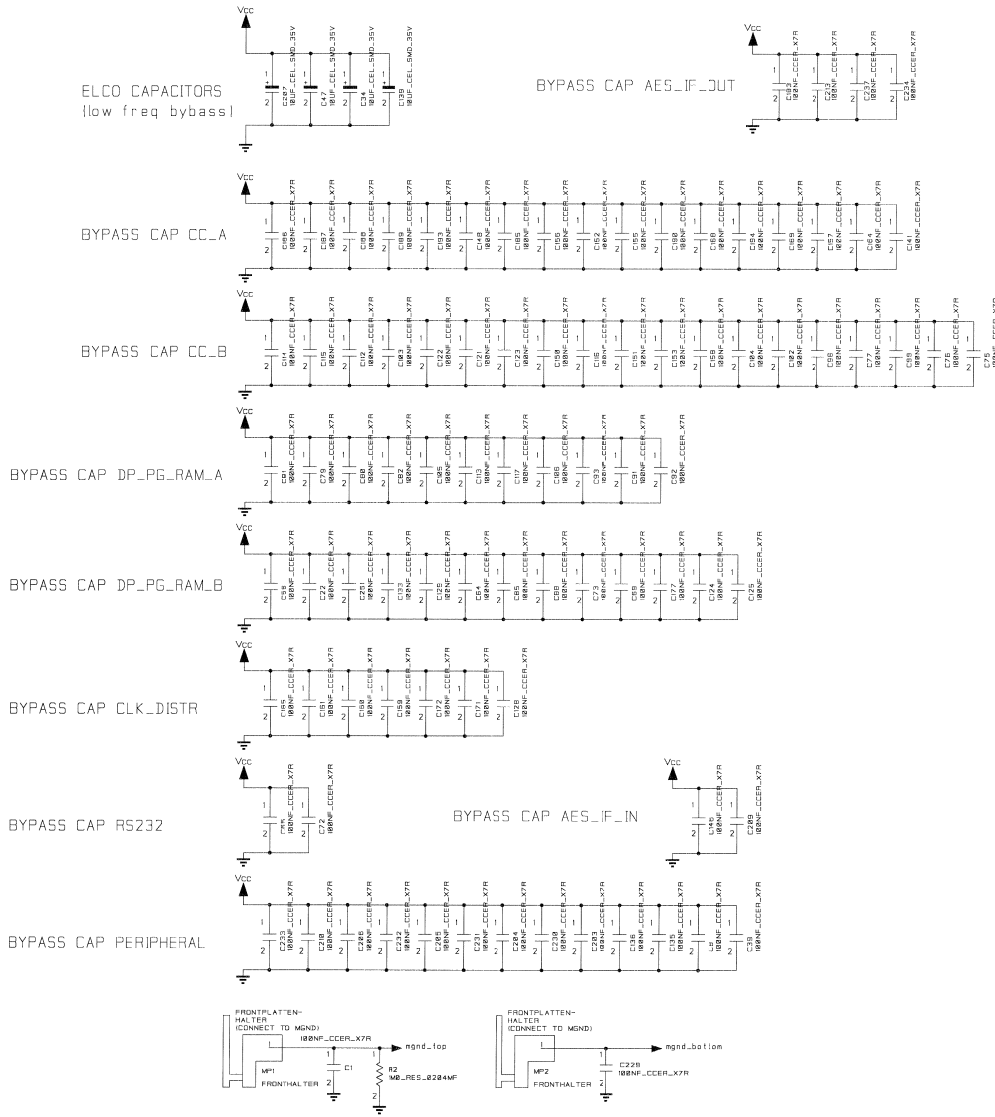


PEAES Board 1.950.605.26 (0), PE Board 1.950.610.26 (0)

RS232

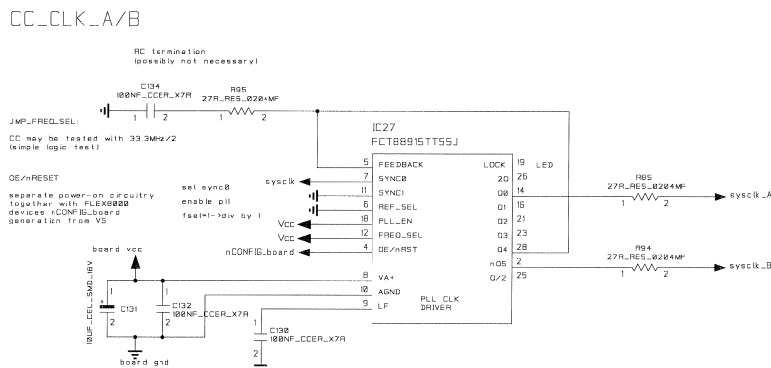
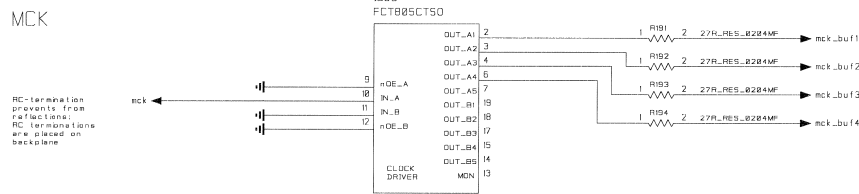
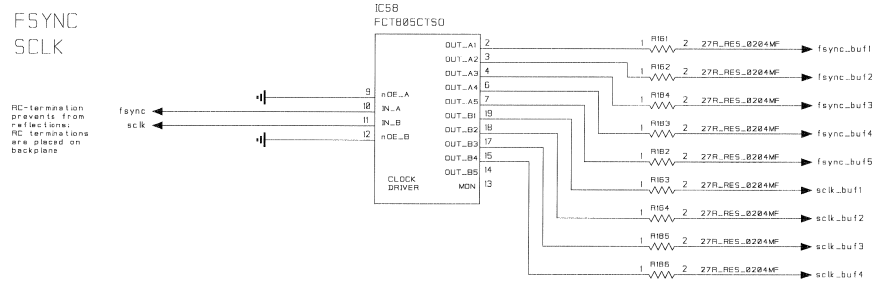
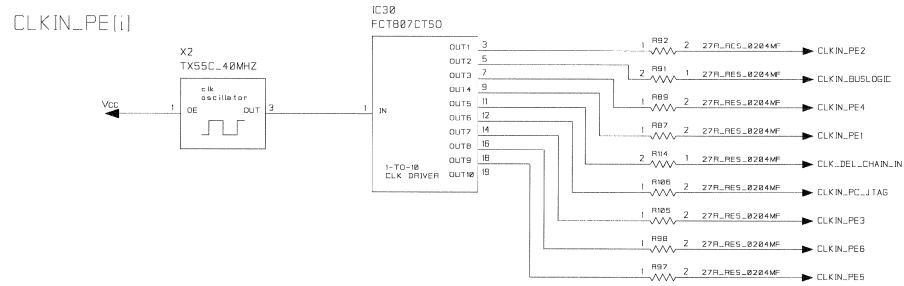


PEAES Board 1.950.605.26 (0), PE Board 1.950.610.26 (0)



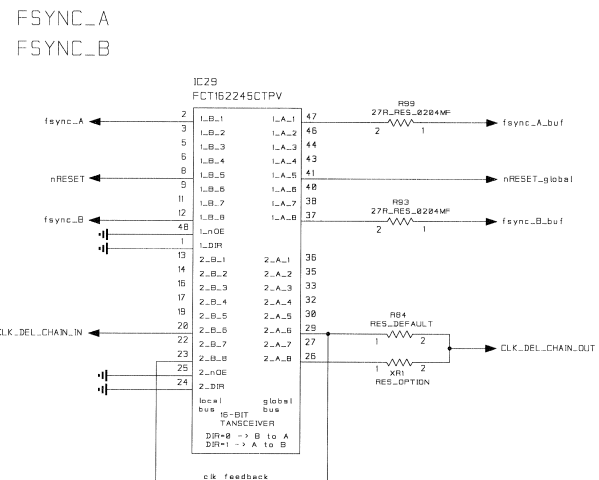
PEAES Board 1.950.605.26 (0), PE Board 1.950.610.26 (0)

CLOCK_DISTR

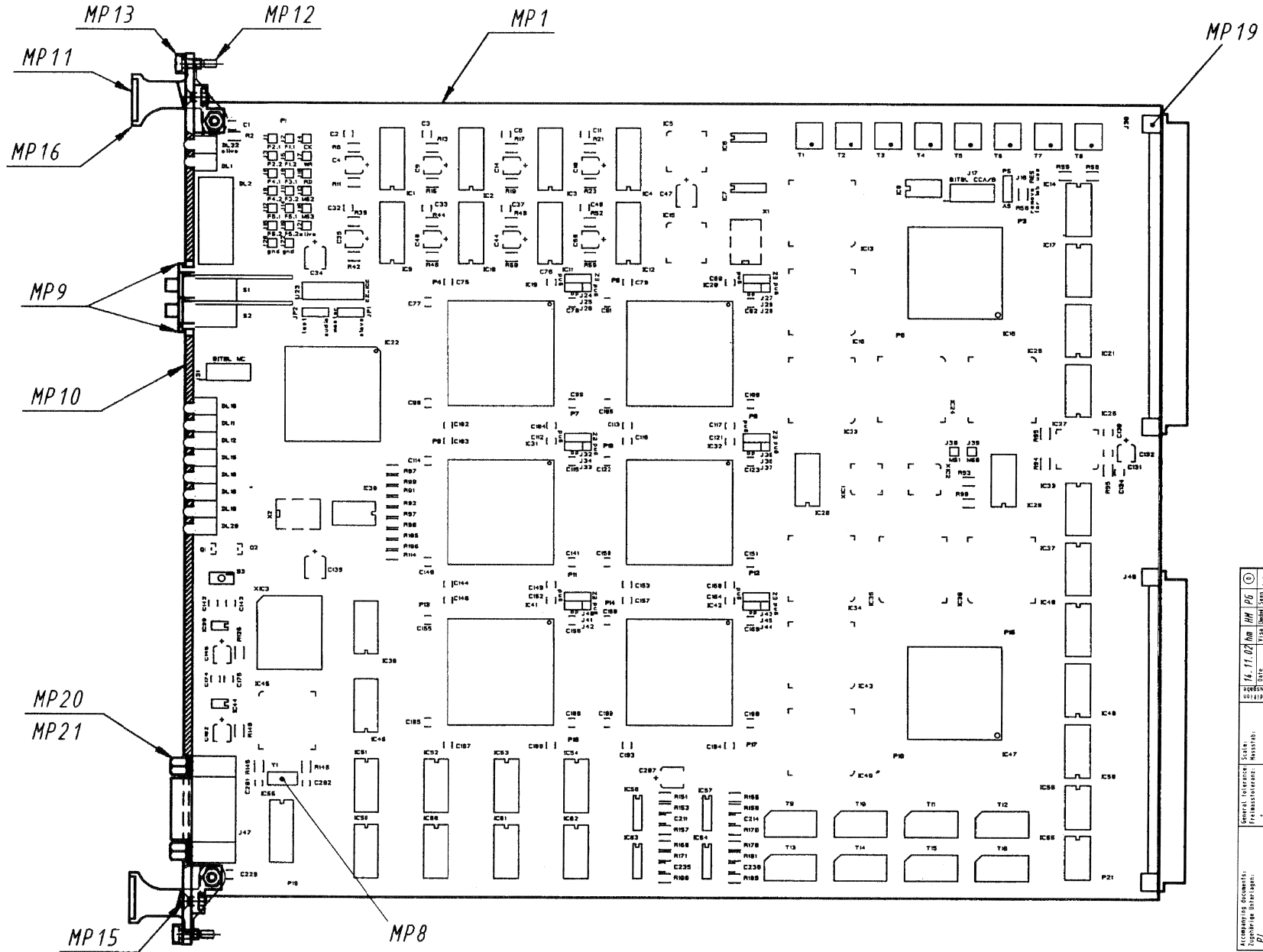


source termination
for all clock lines

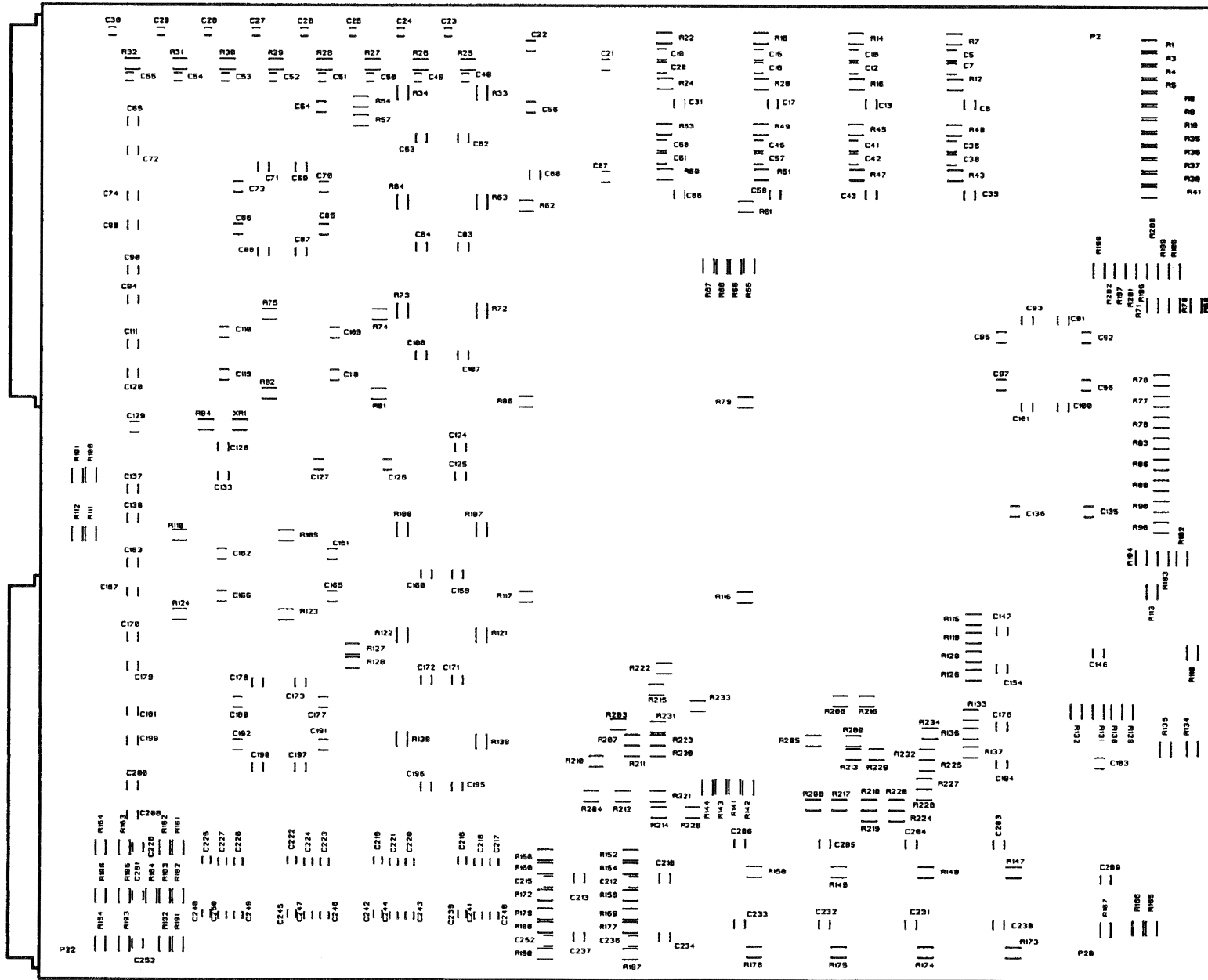
(line impedance < > 50 Ohm)



PEAES Board 1.950.605.26 (0) (Component Side)

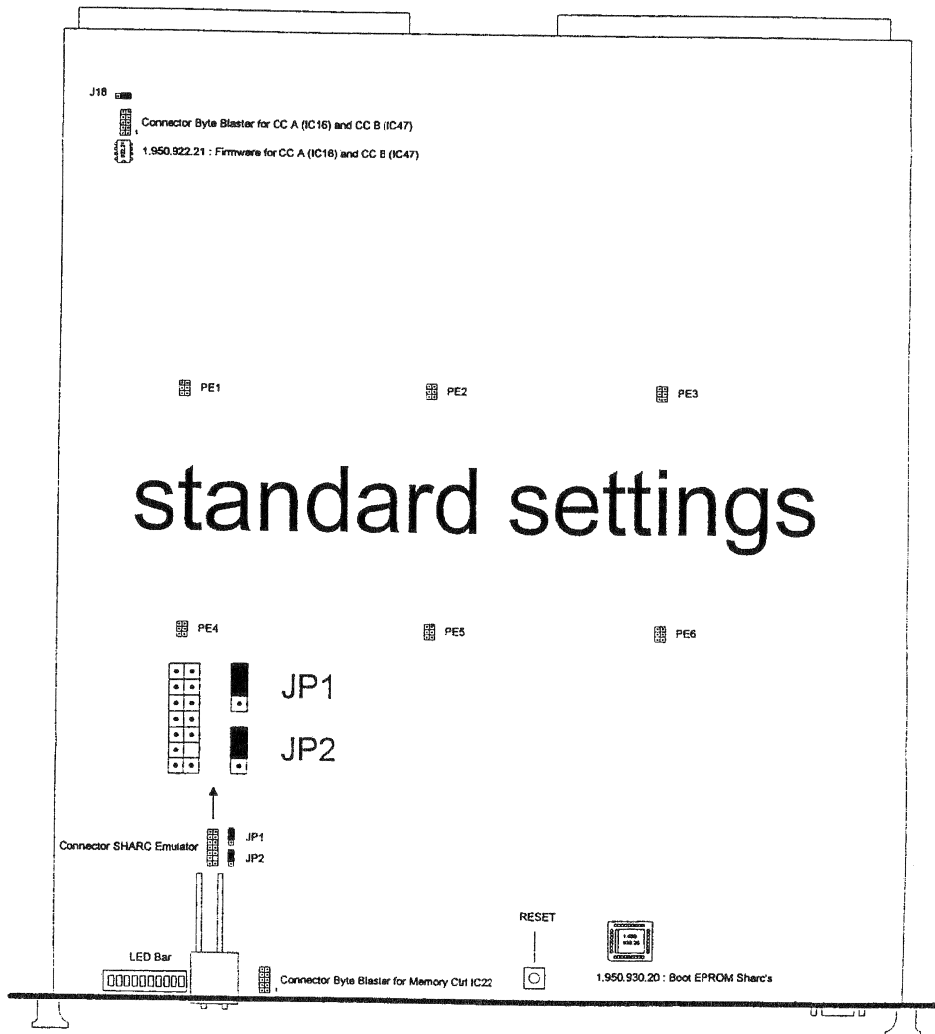


PEAES Board 1.950.605.26 (0) (Solder Side)



Accompanying Documents: Zughöriges Unterlagen: P/	General Tolerances: Ermaßigungstoleranz: 4	Scale: Maßstab: -	Date: Datum: 14.11.02	Issued: Gez. 4	Drawn: Gez. 4	Checked: Gez. 4	Index: Index: -
	Checked by: Geprüft von: E. S. 21	Replaced by: Ersetzt durch: -	Original Size: Originalgröße: A3	Page: Seite: 2/3	Number: Nummer: 1.950.605-26		
STUDER REGENSDOFF							
PEAES Board ESE							

PEAES Board 1.950.605.26 (0) (Jumper Setting)



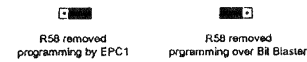
Settings for lab use

Jumper settings for board test



Jumper settings: Byte Blaster (IC16 and IC47)

If you want to program the Altera with the Byte Blaster, you first have to remove R58



Jumper settings using the SHARC Emulator

If you want to access a PE with the Emulator, you first have to remove the corresponding resistors ((R82 to access PE1) (R80 PE2) (R117 PE4) (R61 PE4) (R79 PE5) (R116 PE6))

		access by the Emulator	
		yes	no
resistor in place	yes	⊗	⊗
	no	⊗	⊗

Accompanying documents: Zugehörige Unterlagen: <i>PL</i>	General tolerance: Freimasstoleranz: +	Scale: Massstab:	Edition: Ausgabe: 14. 11. 02	hm	HM	PG	Ⓢ
Substitute for: Ersatz für:	Replaced by: Ersetzt durch:	Original Size: Originalformat:	Date: Datum:	Visa Gez.:	Checked Gepr.:	Seen Bes.:	Index
STUDER REGENSDORF		PEAES Board	ESE	Number: Nummer:	Page: Seite: 3/3		
				1.950.605-26			

PEAES Board 1.950.605.26 (0)

Idx. Pos.	Part No.	Qty.	Type/Val.	Description
0 C 175	59.60.3337	100n		CER 50V, 10%, X7R, 0805
0 C 176	59.60.3337	100n		CER 50V, 10%, X7R, 0805
0 C 177	59.60.3337	100n		CER 50V, 10%, X7R, 0805
0 C 178	59.60.3337	100n		CER 50V, 10%, X7R, 0805
0 C 179	59.60.3337	100n		CER 50V, 10%, X7R, 0805
0 C 180	59.60.3337	100n		CER 50V, 10%, X7R, 0805
0 C 181	59.60.3337	100n		CER 50V, 10%, X7R, 0805
0 C 182	59.68.0065	10u		EL 16V, 4.0*5.7
0 C 183	59.60.3337	100n		CER 50V, 10%, X7R, 0805
0 C 184	59.60.3337	100n		CER 50V, 10%, X7R, 0805
0 C 185	59.60.3337	100n		CER 50V, 10%, X7R, 0805
0 C 186	59.60.3337	100n		CER 50V, 10%, X7R, 0805
0 C 187	59.60.3337	100n		CER 50V, 10%, X7R, 0805
0 C 188	59.60.3337	100n		CER 50V, 10%, X7R, 0805
0 C 189	59.60.3337	100n		CER 50V, 10%, X7R, 0805
0 C 190	59.60.3337	100n		CER 50V, 10%, X7R, 0805
0 C 191	59.60.3337	100n		CER 50V, 10%, X7R, 0805
0 C 192	59.60.3337	100n		CER 50V, 10%, X7R, 0805
0 C 193	59.60.3337	100n		CER 50V, 10%, X7R, 0805
0 C 194	59.60.3337	100n		CER 50V, 10%, X7R, 0805
0 C 195	59.60.3337	100n		CER 50V, 10%, X7R, 0805
0 C 196	59.60.3337	100n		CER 50V, 10%, X7R, 0805
0 C 197	59.60.3337	100n		CER 50V, 10%, X7R, 0805
0 C 198	59.60.3337	100n		CER 50V, 10%, X7R, 0805
0 C 199	59.60.3337	100n		CER 50V, 10%, X7R, 0805
0 C 200	59.60.3337	100n		CER 50V, 10%, X7R, 0805
0 C 201	59.60.2241	47p		CER 50V, 5%, C0G, 0603
0 C 202	59.60.2233	22p		CER 50V, 5%, C0G, 0603
0 C 203	59.60.3337	100n		CER 50V, 10%, X7R, 0805
0 C 204	59.60.3337	100n		CER 50V, 10%, X7R, 0805
0 C 205	59.60.3337	100n		CER 50V, 10%, X7R, 0805
0 C 206	59.60.3337	100n		CER 50V, 10%, X7R, 0805
0 C 207	59.68.0109	10u		EL 35V, 5.0*5.7
0 C 208	59.60.3337	100n		CER 50V, 10%, X7R, 0805
0 C 209	59.60.3337	100n		CER 50V, 10%, X7R, 0805
0 C 210	59.60.3337	100n		CER 50V, 10%, X7R, 0805
0 C 211	59.60.3337	100n		CER 50V, 10%, X7R, 0805
0 C 212	59.60.3337	100n		CER 50V, 10%, X7R, 0805
0 C 213	59.60.3337	100n		CER 50V, 10%, X7R, 0805
0 C 214	59.60.3337	100n		CER 50V, 10%, X7R, 0805
0 C 215	59.60.3337	100n		CER 50V, 10%, X7R, 0805
0 C 216	59.60.2249	100p		CER 50V, 5%, C0G, 0603
0 C 217	59.60.2249	100p		CER 50V, 5%, C0G, 0603
0 C 218	59.60.2249	100p		CER 50V, 5%, C0G, 0603
0 C 219	59.60.2249	100p		CER 50V, 5%, C0G, 0603
0 C 220	59.60.2249	100p		CER 50V, 5%, C0G, 0603
0 C 221	59.60.2249	100p		CER 50V, 5%, C0G, 0603
0 C 222	59.60.2249	100p		CER 50V, 5%, C0G, 0603
0 C 223	59.60.2249	100p		CER 50V, 5%, C0G, 0603
0 C 224	59.60.2249	100p		CER 50V, 5%, C0G, 0603
0 C 225	59.60.2249	100p		CER 50V, 5%, C0G, 0603
0 C 226	59.60.2249	100p		CER 50V, 5%, C0G, 0603
0 C 227	59.60.2249	100p		CER 50V, 5%, C0G, 0603
0 C 228	59.60.3337	100n		CER 50V, 10%, X7R, 0805
0 C 229	59.60.3337	100n		CER 50V, 10%, X7R, 0805
0 C 230	59.60.3337	100n		CER 50V, 10%, X7R, 0805
0 C 231	59.60.3337	100n		CER 50V, 10%, X7R, 0805
0 C 232	59.60.3337	100n		CER 50V, 10%, X7R, 0805
0 C 233	59.60.3337	100n		CER 50V, 10%, X7R, 0805
0 C 234	59.60.3337	100n		CER 50V, 10%, X7R, 0805
0 C 235	59.60.3337	100n		CER 50V, 10%, X7R, 0805
0 C 236	59.60.3337	100n		CER 50V, 10%, X7R, 0805
0 C 237	59.60.3337	100n		CER 50V, 10%, X7R, 0805
0 C 238	59.60.3337	100n		CER 50V, 10%, X7R, 0805
0 C 239	59.60.2249	100p		CER 50V, 5%, C0G, 0603
0 C 240	59.60.2249	100p		CER 50V, 5%, C0G, 0603
0 C 241	59.60.2249	100p		CER 50V, 5%, C0G, 0603
0 C 242	59.60.2249	100p		CER 50V, 5%, C0G, 0603
0 C 243	59.60.2249	100p		CER 50V, 5%, C0G, 0603
0 C 244	59.60.2249	100p		CER 50V, 5%, C0G, 0603
0 C 245	59.60.2249	100p		CER 50V, 5%, C0G, 0603
0 C 246	59.60.2249	100p		CER 50V, 5%, C0G, 0603
0 C 247	59.60.2249	100p		CER 50V, 5%, C0G, 0603
0 C 248	59.60.2249	100p		CER 50V, 5%, C0G, 0603
0 C 249	59.60.2249	100p		CER 50V, 5%, C0G, 0603
0 C 250	59.60.2249	100p		CER 50V, 5%, C0G, 0603
0 C 251	59.60.3337	100n		CER 50V, 10%, X7R, 0805
0 C 252	59.60.3337	100n		CER 50V, 10%, X7R, 0805
0 C 253	59.60.3337	100n		CER 50V, 10%, X7R, 0805
0 DL 1	50.04.2751	grn		LED mit Halter
0 DL 2	50.04.2811	10*grn		LED-Bargraph 10*green
0 DL 10	50.04.2751	grn		LED mit Halter
0 DL 11	50.04.2751	grn		LED mit Halter
0 DL 12	50.04.2751	grn		LED mit Halter
0 DL 15	50.04.2751	grn		LED mit Halter
0 DL 16	50.04.2751	grn		LED mit Halter
0 DL 18	50.04.2751	grn		LED mit Halter

Idx. Pos.	Part No.	Qty.	Type/Val.	Description
0 DL 19	50.04.2751	grn		LED mit Halter
0 DL 20	50.04.2751	grn		LED mit Halter
0 DL 22	50.04.2750	red		LED mit Halter
0 IC 1	50.62.0912	CS8411A		Dig audio interface receiver
0 IC 2	50.62.0912	CS8411A		Dig audio interface receiver
0 IC 3	50.62.0912	CS8411A		Dig audio interface receiver
0 IC 4	50.62.0912	CS8411A		Dig audio interface receiver
0 IC 5	50.62.0914	AD1890		Sample Rate Converter
0 IC 6	50.62.0463	DS34C86		4*RS 422 Line Receiver
0 IC 7	50.62.0463	DS34C86		4*RS 422 Line Receiver
0 IC 8	1.950.922.22			SW 605/615 CC (50.63.4298)
0 IC 9	50.62.0912	CS8411A		Dig audio interface receiver
0 IC 10	50.62.0912	CS8411A		Dig audio interface receiver
0 IC 11	50.62.0912	CS8411A		Dig audio interface receiver
0 IC 12	50.62.0912	CS8411A		Dig audio interface receiver
0 IC 13	50.63.1506	IDT7014		Dualport SRAM, 4K*9
0 IC 14	50.62.6745	74ABTE16245		16bit Bus-Driver
0 IC 15	50.62.0914	AD1890		Sample Rate Converter
0 IC 16	50.63.4207	EPF8820R		EPLD 8000 QFP208
0 IC 17	50.62.6745	74ABTE16245		16bit Bus-Driver
0 IC 18	50.63.1506	IDT7014		Dualport SRAM, 4K*9
0 IC 19	50.63.0408	ADSP21062		32bit DSP
0 IC 20	50.63.0408	ADSP21062		32bit DSP
0 IC 21	50.62.6974	74FCT162374		16bit Bus Latches
0 IC 22	1.950.923.21			SW 605 MEMCTRL (50.63.4206)
0 IC 23	50.63.1506	IDT7014		Dualport SRAM, 4K*9
0 IC 24	50.63.1506	IDT7014		Dualport SRAM, 4K*9
0 IC 25	50.63.1506	IDT7014		Dualport SRAM, 4K*9
0 IC 26	50.62.6974	74FCT162374		16bit Bus Latches
0 IC 27	50.62.6915	74FCT88915		Clock-Driver
0 IC 28	50.62.6946	74FCT162245		16bit Bus-Driver, tri
0 IC 29	50.62.6946	74FCT162245		16bit Bus-Driver, tri
0 IC 30	50.62.6907	74FCT807		Share Clock-Driver
0 IC 31	50.63.0408	ADSP21062		32bit DSP
0 IC 32	50.63.0408	ADSP21062		32bit DSP
0 IC 33	50.62.6746	74ABTE16246		16bit Bus-Driver o.c.
0 IC 34	50.63.1506	IDT7014		Dualport SRAM, 4K*9
0 IC 35	50.63.1506	IDT7014		Dualport SRAM, 4K*9
0 IC 36	50.63.1506	IDT7014		Dualport SRAM, 4K*9
0 IC 37	50.62.6745	74ABTE16245		16bit Bus-Driver
0 IC 38	50.63.2001	7705B		Reset Generator
0 IC 39	50.62.6946	74FCT162245		16bit Bus-Driver, tri
0 IC 40	50.62.6745	74ABTE16245		16bit Bus-Driver
0 IC 41	50.63.0408	ADSP21062		32bit DSP
0 IC 42	50.63.0408	ADSP21062		32bit DSP
0 IC 43	50.63.1506	IDT7014		Dualport SRAM, 4K*9
0 IC 44	50.63.2001	7705B		Reset Generator
0 IC 45	50.63.0203	TL16C550		UART
0 IC 46	50.62.6946	74FCT162245		16bit Bus-Driver, tri
0 IC 47	50.63.4207	EPF8820R		EPLD 8000 QFP208
0 IC 48	50.62.6974	74FCT162374		16bit Bus Latches
0 IC 49	50.63.1506	IDT7014		Dualport SRAM, 4K*9
0 IC 50	50.62.6974	74FCT162374		16bit Bus Latches
0 IC 51	50.62.0911	CS8401A		Dig audio interface transmitt
0 IC 52	50.62.0911	CS8401A		Dig audio interface transmitt
0 IC 53	50.62.0911	CS8401A		Dig audio interface transmitt
0 IC 54	50.62.0911	CS8401A		Dig audio interface transmitt
0 IC 55	50.62.0462	MAX 225		5*RS 232 Driver/Receiver
0 IC 56	50.62.0464	DS34C87		4*RS 422 Line Driver
0 IC 57	50.62.0464	DS34C87		4*RS 422 Line Driver
0 IC 58	50.62.6905	49FCT805		Dual Clock-Driver
0 IC 59	50.62.0911	CS8401A		Dig audio interface transmitt
0 IC 60	50.62.0911	CS8401A		Dig audio interface transmitt
0 IC 61	50.62.0911	CS8401A		Dig audio interface transmitt
0 IC 62	50.62.0911	CS8401A		Dig audio interface transmitt
0 IC 63	50.62.0464	DS34C87		4*RS 422 Line Driver
0 IC 64	50.62.0464	DS34C87		4*RS 422 Line Driver
0 IC 65	50.62.6905	49FCT805		Dual Clock-Driver
0 J 1	not used	1p		Pin, 1reihig, gerade
0 J 2	not used	1p		Pin, 1reihig, gerade
0 J 3	not used	1p		Pin, 1reihig, gerade
0 J 4	not used	1p		Pin, 1reihig, gerade
0 J 5	not used	1p		Pin, 1reihig, gerade
0 J 6	not used	1p		Pin, 1reihig, gerade
0 J 7	not used	1p		Pin, 1reihig, gerade
0 J 8	not used	1p		Pin, 1reihig, gerade
0 J 9	not used	1p		Pin, 1reihig, gerade
0 J 10	not used	1p		Pin, 1reihig, gerade
0 J 11	not used	1p		Pin, 1reihig, gerade
0 J 12	not used	1p		Pin, 1reihig, gerade
0 J 13	not used	1p		Pin, 1reihig, gerade
0 J 14	not used	1p		Pin, 1reihig, gerade
0 J 15	not used	1p		Pin, 1reihig, gerade
0 J 16	not used	1p		Pin, 1reihig, gerade
0 J 17	not used 10 pcs	1p		Pin, 1reihig, gerade
0 J 18	not used 3 pcs	1p		Pin, 1reihig, gerade
0 J 19	not used	1p		Pin, 1reihig, gerade

PEAES Board 1.950.605.26 (0)

Idx.	Pos.	Part No.	Qty.	Type/Val.	Description	Idx.	Pos.	Part No.	Qty.	Type/Val.	Description
0	J20	not used	1p		Pin, 1reihtig, gerade	0	R39	57.60.1102	1k0		MF, 1%, 0204, E24
0	J21	not used	1p		Pin, 1reihtig, gerade	0	R40	57.60.1103	10k		MF, 1%, 0204, E24
0	J22	not used	1p		Pin, 1reihtig, gerade	0	R41	57.60.1331	330R		MF, 1%, 0204, E24
0	J23	54.01.0020	14 pcs	1p	Pin, 1reihtig, gerade	0	R42	57.60.1100	10R		MF, 1%, 0204, E24
0	J24	54.11.0136	1 pce	2*3p	Pin 0.63*0.63, RM2.54	0	R43	57.60.1103	10k		MF, 1%, 0204, E24
0	J25	54.01.0020	0 pce	1p	Pin, 1reihtig, gerade	0	R44	57.60.1102	1k0		MF, 1%, 0204, E24
0	J26	54.01.0020	0 pce	1p	Pin, 1reihtig, gerade	0	R45	57.60.1103	10k		MF, 1%, 0204, E24
0	J27	54.11.0136	1 pce	2*3p	Pin 0.63*0.63, RM2.54	0	R46	57.60.1100	10R		MF, 1%, 0204, E24
0	J28	54.01.0020	0 pce	1p	Pin, 1reihtig, gerade	0	R47	57.60.1103	10k		MF, 1%, 0204, E24
0	J29	54.01.0020	0 pce	1p	Pin, 1reihtig, gerade	0	R48	57.60.1102	1k0		MF, 1%, 0204, E24
0	J30	54.11.2009	1 pce	96p	EU-R 3*32p	0	R49	57.60.1103	10k		MF, 1%, 0204, E24
0	J31	54.01.0020	10 pcs	1p	Pin, 1reihtig, gerade	0	R50	57.60.1100	10R		MF, 1%, 0204, E24
0	J32	54.11.0136	1 pce	2*3p	Pin 0.63*0.63, RM2.54	0	R51	57.60.1103	10k		MF, 1%, 0204, E24
0	J33	54.01.0020	0 pce	1p	Pin, 1reihtig, gerade	0	R52	57.60.1102	1k0		MF, 1%, 0204, E24
0	J34	54.01.0020	0 pce	1p	Pin, 1reihtig, gerade	0	R53	57.60.1103	10k		MF, 1%, 0204, E24
0	J35	54.11.0136	1 pce	2*3p	Pin 0.63*0.63, RM2.54	0	R54	57.60.1102	1k0		MF, 1%, 0204, E24
0	J36	54.01.0020	0 pce	1p	Pin, 1reihtig, gerade	0	R55	57.60.1103	10k		MF, 1%, 0204, E24
0	J37	54.01.0020	0 pce	1p	Pin, 1reihtig, gerade	0	R56	57.60.1331	330R		MF, 1%, 0204, E24
0	J38	not used	1p		Pin, 1reihtig, gerade	0	R57	57.60.1102	1k0		MF, 1%, 0204, E24
0	J39	not used	1p		Pin, 1reihtig, gerade	0	R58	57.60.1109	1R		MF, 1%, 0204, E24
0	J40	54.11.0136	1 pce	2*3p	Pin 0.63*0.63, RM2.54	0	R59	57.60.1100	10R		MF, 1%, 0204, E24
0	J41	54.01.0020	0 pce	1p	Pin, 1reihtig, gerade	0	R60	57.60.1103	10k		MF, 1%, 0204, E24
0	J42	54.01.0020	0 pce	1p	Pin, 1reihtig, gerade	0	R61	57.60.1109	1R		MF, 1%, 0204, E24
0	J43	54.11.0136	1 pce	2*3p	Pin 0.63*0.63, RM2.54	0	R62	57.60.1109	1R		MF, 1%, 0204, E24
0	J44	54.01.0020	0 pce	1p	Pin, 1reihtig, gerade	0	R63	57.60.1103	10k		MF, 1%, 0204, E24
0	J45	54.01.0020	0 pce	1p	Pin, 1reihtig, gerade	0	R64	57.60.1103	10k		MF, 1%, 0204, E24
0	J46	54.11.2009	1 pce	96p	EU-R 3*32p	0	R65	57.60.1680	68R		MF, 1%, 0204, E24
0	J47	54.13.0071	1 pce	9p	D-Sub, PCB, Winkel	0	R66	57.60.1181	180R		MF, 1%, 0204, E24
0	J48	54.01.0021	2 pcs	Jumper	0.63*0.63mm, Au	0	R67	57.60.1680	68R		MF, 1%, 0204, E24
0	JP 1	54.01.0020	3 pcs	1p	Pin, 1reihtig, gerade	0	R68	57.60.1181	180R		MF, 1%, 0204, E24
0	JP 2	54.01.0020	3 pcs	1p	Pin, 1reihtig, gerade	0	R69	57.60.1103	10k		MF, 1%, 0204, E24
0	MP 1	1.950.605.12	1 pce		PEAES PCB	0	R70	57.60.1103	10k		MF, 1%, 0204, E24
0	MP 2	1.950.605.04	1 pce		TYPENSCHILD	0	R71	57.60.1103	10k		MF, 1%, 0204, E24
0	MP 3	43.01.0108	0 pcs	Label	ESE-WARNSCHILD	0	R72	57.60.1103	10k		MF, 1%, 0204, E24
0	MP 4	1.101.001.26	1 pce		TEXT-ETIK. 5*20 HARDWARE 26	0	R73	57.60.1103	10k		MF, 1%, 0204, E24
0	MP 5	1.950.605.10	1 pce		BAUGRUPPENSCHILD 10X80	0	R74	57.60.1103	10k		MF, 1%, 0204, E24
0	MP 8	89.01.1499	1 pce		QUARZ - ISOLIERPLATTE	0	R75	57.60.1103	10k		MF, 1%, 0204, E24
0	MP 9	55.12.1122	1 pce		Seitenwand	0	R76	57.60.1331	330R		MF, 1%, 0204, E24
0	MP 10	1.950.605.01	1 pce		FRONTPLATTE PEAES	0	R77	57.60.1331	330R		MF, 1%, 0204, E24
0	MP 11	1.940.600.05	2 pcs		GRIFFEINLAGE 4TE	0	R78	57.60.1331	330R		MF, 1%, 0204, E24
0	MP 12	49.02.0524	2 pcs	M2.5*12	Schraube spezial	0	R79	57.60.1109	1R		MF, 1%, 0204, E24
0	MP 13	49.02.0521	2 pcs		Metall-Buchse (Rack)	0	R80	57.60.1109	1R		MF, 1%, 0204, E24
0	MP 15	not used	2 pcs	M2.5*7	Senk-Schr, KS, Senkripp	0	R81	57.60.1103	10k		MF, 1%, 0204, E24
0	MP 16	49.02.0514	1 pce	4TE	Frontplatten-Griffsatz	0	R82	57.60.1103	10k		MF, 1%, 0204, E24
0	MP 19	28.99.0119	4 pcs		ROHRNIETE D 2.5*0.15* 9	0	R83	57.60.1331	330R		MF, 1%, 0204, E24
0	MP 20	54.13.0081	2 pcs	4.85mm	Bolzen UNC 4-40	0	R84	57.60.1109	1R		MF, 1%, 0204, E24
0	MP 21	24.16.2030	2 pcs	3.2/6.0	Fächerscheibe Form A	0	R85	57.60.1270	27R		MF, 1%, 0204, E24
0	Q 1	50.60.0001		BC847B	NPN 45V 100mA SOT 23	0	R86	57.60.1331	330R		MF, 1%, 0204, E24
0	Q 2	50.60.0001		BC847B	NPN 45V 100mA SOT 23	0	R87	57.60.1270	27R		MF, 1%, 0204, E24
0	R 1	57.60.1331		330R	MF, 1%, 0204, E24	0	R88	57.60.1331	330R		MF, 1%, 0204, E24
0	R 2	57.60.1105		1M	MF, 1%, 0204, E24	0	R89	57.60.1270	27R		MF, 1%, 0204, E24
0	R 3	57.60.1331		330R	MF, 1%, 0204, E24	0	R90	57.60.1331	330R		MF, 1%, 0204, E24
0	R 4	57.60.1331		330R	MF, 1%, 0204, E24	0	R91	57.60.1270	27R		MF, 1%, 0204, E24
0	R 5	57.60.1331		330R	MF, 1%, 0204, E24	0	R92	57.60.1270	27R		MF, 1%, 0204, E24
0	R 6	57.60.1102		1k0	MF, 1%, 0204, E24	0	R93	57.60.1270	27R		MF, 1%, 0204, E24
0	R 7	57.60.1103		10k	MF, 1%, 0204, E24	0	R94	57.60.1270	27R		MF, 1%, 0204, E24
0	R 8	57.60.1331		330R	MF, 1%, 0204, E24	0	R95	57.60.1270	27R		MF, 1%, 0204, E24
0	R 9	57.60.1331		330R	MF, 1%, 0204, E24	0	R96	57.60.1331	330R		MF, 1%, 0204, E24
0	R 10	57.60.1331		330R	MF, 1%, 0204, E24	0	R97	57.60.1270	27R		MF, 1%, 0204, E24
0	R 11	57.60.1100		10R	MF, 1%, 0204, E24	0	R98	57.60.1270	27R		MF, 1%, 0204, E24
0	R 12	57.60.1103		10k	MF, 1%, 0204, E24	0	R99	57.60.1270	27R		MF, 1%, 0204, E24
0	R 13	57.60.1102		1k0	MF, 1%, 0204, E24	0	R100	57.60.1331	330R		MF, 1%, 0204, E24
0	R 14	57.60.1103		10k	MF, 1%, 0204, E24	0	R101	57.60.1103	10k		MF, 1%, 0204, E24
0	R 15	57.60.1100		10R	MF, 1%, 0204, E24	0	R102	57.60.1104	100k		MF, 1%, 0204, E24
0	R 16	57.60.1103		10k	MF, 1%, 0204, E24	0	R103	57.60.1103	10k		MF, 1%, 0204, E24
0	R 17	57.60.1102		1k0	MF, 1%, 0204, E24	0	R104	57.60.1104	100k		MF, 1%, 0204, E24
0	R 18	57.60.1103		10k	MF, 1%, 0204, E24	0	R105	57.60.1270	27R		MF, 1%, 0204, E24
0	R 19	57.60.1100		10R	MF, 1%, 0204, E24	0	R106	57.60.1270	27R		MF, 1%, 0204, E24
0	R 20	57.60.1103		10k	MF, 1%, 0204, E24	0	R107	57.60.1103	10k		MF, 1%, 0204, E24
0	R 21	57.60.1102		1k0	MF, 1%, 0204, E24	0	R108	57.60.1103	10k		MF, 1%, 0204, E24
0	R 22	57.60.1103		10k	MF, 1%, 0204, E24	0	R109	57.60.1103	10k		MF, 1%, 0204, E24
0	R 23	57.60.1100		10R	MF, 1%, 0204, E24	0	R110	57.60.1103	10k		MF, 1%, 0204, E24
0	R 24	57.60.1103		10k	MF, 1%, 0204, E24	0	R111	57.60.1331	330R		MF, 1%, 0204, E24
0	R 25	57.60.1111		110R	MF, 1%, 0204, E24	0	R112	57.60.1103	10k		MF, 1%, 0204, E24
0	R 26	57.60.1111		110R	MF, 1%, 0204, E24	0	R113	57.60.1103	10k		MF, 1%, 0204, E24
0	R 27	57.60.1111		110R	MF, 1%, 0204, E24	0	R114	57.60.1270	27R		MF, 1%, 0204, E24
0	R 28	57.60.1111		110R	MF, 1%, 0204, E24	0	R115	57.60.1103	10k		MF, 1%, 0204, E24
0	R 29	57.60.1111		110R	MF, 1%, 0204, E24	0	R116	57.60.1109	1R		MF, 1%, 0204, E24
0	R 30	57.60.1111		110R	MF, 1%, 0204, E24	0	R117	57.60.1109	1R		MF, 1%, 0204, E24
0	R 31	57.60.1111		110R	MF, 1%, 0204, E24	0	R118	57.60.1102	1k0		MF, 1%, 0204, E24
0	R 32	57.60.1111		110R	MF, 1%, 0204, E24	0	R119	57.60.1103	10k		MF, 1%, 0204, E24
0	R 33	57.60.1103		10k	MF, 1%, 0204, E24	0	R120	57.60.1103	10k		MF, 1%, 0204, E24
0	R 34	57.60.1103		10k	MF, 1%, 0204, E24	0	R121	57.60.1103	10k		MF, 1%, 0204, E24
0	R 35	57.60.1331		330R	MF, 1%, 0204, E24	0	R122	57.60.1103	10k		MF, 1%, 0204, E24
0	R 36	57.60.1331		330R	MF, 1%, 0204, E24	0	R123	57.60.1103	10k		MF, 1%, 0204, E24
0	R 37	57.60.1331		330R	MF, 1%, 0204, E24	0	R124	57.60.1103	10k		MF, 1%, 0204, E24
0	R 38	57.60.1331		330R	MF, 1%, 0204, E24	0	R125	57.60.1100	10R		MF, 1%, 0204, E24

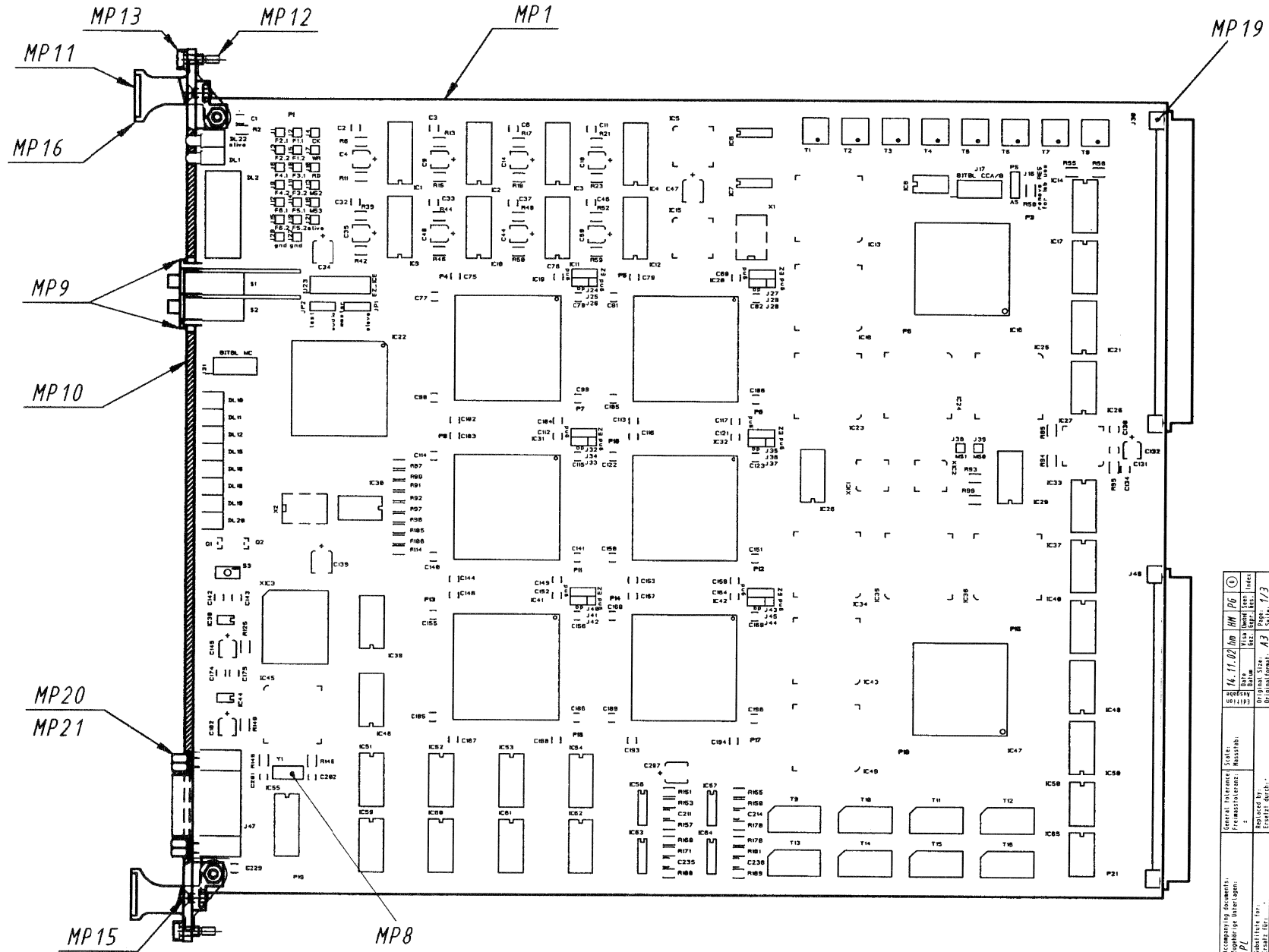
PEAES Board 1.950.605.26 (0)

Idx. Pos.	Part No.	Qty.	Type/Val.	Description
0 R 126	57.60.1103	10k		MF, 1%, 0204, E24
0 R 127	57.60.1102	1k0		MF, 1%, 0204, E24
0 R 128	57.60.1102	1k0		MF, 1%, 0204, E24
0 R 129	57.60.1103	10k		MF, 1%, 0204, E24
0 R 130	57.60.1103	10k		MF, 1%, 0204, E24
0 R 131	57.60.1103	10k		MF, 1%, 0204, E24
0 R 132	57.60.1103	10k		MF, 1%, 0204, E24
0 R 133	57.60.1103	10k		MF, 1%, 0204, E24
0 R 134	57.60.1103	10k		MF, 1%, 0204, E24
0 R 135	57.60.1103	10k		MF, 1%, 0204, E24
0 R 136	57.60.1103	10k		MF, 1%, 0204, E24
0 R 137	57.60.1103	10k		MF, 1%, 0204, E24
0 R 138	57.60.1103	10k		MF, 1%, 0204, E24
0 R 139	57.60.1103	10k		MF, 1%, 0204, E24
0 R 140	57.60.1100	10R		MF, 1%, 0204, E24
0 R 141	57.60.1181	180R		MF, 1%, 0204, E24
0 R 142	57.60.1680	68R		MF, 1%, 0204, E24
0 R 143	57.60.1181	180R		MF, 1%, 0204, E24
0 R 144	57.60.1680	68R		MF, 1%, 0204, E24
0 R 145	57.60.1152	1k5		MF, 1%, 0204, E24
0 R 146	57.60.1105	1M		MF, 1%, 0204, E24
0 R 147	57.60.1103	10k		MF, 1%, 0204, E24
0 R 148	57.60.1103	10k		MF, 1%, 0204, E24
0 R 149	57.60.1103	10k		MF, 1%, 0204, E24
0 R 150	57.60.1103	10k		MF, 1%, 0204, E24
0 R 151	57.60.1103	10k		MF, 1%, 0204, E24
0 R 152	57.60.1103	10k		MF, 1%, 0204, E24
0 R 153	57.60.1270	27R		MF, 1%, 0204, E24
0 R 154	57.60.1270	27R		MF, 1%, 0204, E24
0 R 155	57.60.1103	10k		MF, 1%, 0204, E24
0 R 156	57.60.1103	10k		MF, 1%, 0204, E24
0 R 157	57.60.1220	22R		MF, 1%, 0204, E24
0 R 158	57.60.1270	27R		MF, 1%, 0204, E24
0 R 159	57.60.1220	22R		MF, 1%, 0204, E24
0 R 160	57.60.1270	27R		MF, 1%, 0204, E24
0 R 161	57.60.1270	27R		MF, 1%, 0204, E24
0 R 162	57.60.1270	27R		MF, 1%, 0204, E24
0 R 163	57.60.1270	27R		MF, 1%, 0204, E24
0 R 164	57.60.1270	27R		MF, 1%, 0204, E24
0 R 165	57.60.1103	10k		MF, 1%, 0204, E24
0 R 166	57.60.1103	10k		MF, 1%, 0204, E24
0 R 167	57.60.1103	10k		MF, 1%, 0204, E24
0 R 168	57.60.1103	10k		MF, 1%, 0204, E24
0 R 169	57.60.1103	10k		MF, 1%, 0204, E24
0 R 170	57.60.1220	22R		MF, 1%, 0204, E24
0 R 171	57.60.1270	27R		MF, 1%, 0204, E24
0 R 172	57.60.1220	22R		MF, 1%, 0204, E24
0 R 173	57.60.1103	10k		MF, 1%, 0204, E24
0 R 174	57.60.1103	10k		MF, 1%, 0204, E24
0 R 175	57.60.1103	10k		MF, 1%, 0204, E24
0 R 176	57.60.1103	10k		MF, 1%, 0204, E24
0 R 177	57.60.1270	27R		MF, 1%, 0204, E24
0 R 178	57.60.1103	10k		MF, 1%, 0204, E24
0 R 179	57.60.1103	10k		MF, 1%, 0204, E24
0 R 180	57.60.1220	22R		MF, 1%, 0204, E24
0 R 181	57.60.1270	27R		MF, 1%, 0204, E24
0 R 182	57.60.1270	27R		MF, 1%, 0204, E24
0 R 183	57.60.1270	27R		MF, 1%, 0204, E24
0 R 184	57.60.1270	27R		MF, 1%, 0204, E24
0 R 185	57.60.1270	27R		MF, 1%, 0204, E24
0 R 186	57.60.1270	27R		MF, 1%, 0204, E24
0 R 187	57.60.1220	22R		MF, 1%, 0204, E24
0 R 188	57.60.1270	27R		MF, 1%, 0204, E24
0 R 189	57.60.1220	22R		MF, 1%, 0204, E24
0 R 190	57.60.1220	22R		MF, 1%, 0204, E24
0 R 191	57.60.1270	27R		MF, 1%, 0204, E24
0 R 192	57.60.1270	27R		MF, 1%, 0204, E24
0 R 193	57.60.1270	27R		MF, 1%, 0204, E24
0 R 194	57.60.1270	27R		MF, 1%, 0204, E24
0 R 195	57.60.1104	100k		MF, 1%, 0204, E24
0 R 196	57.60.1104	100k		MF, 1%, 0204, E24
0 R 197	57.60.1104	100k		MF, 1%, 0204, E24
0 R 198	57.60.1104	100k		MF, 1%, 0204, E24
0 R 199	57.60.1104	100k		MF, 1%, 0204, E24
0 R 200	57.60.1104	100k		MF, 1%, 0204, E24
0 R 201	57.60.1104	100k		MF, 1%, 0204, E24
0 R 202	57.60.1104	100k		MF, 1%, 0204, E24
0 R 203	57.60.1561	560R		MF, 1%, 0204, E24
0 R 204	57.60.1561	560R		MF, 1%, 0204, E24
0 R 205	57.60.1561	560R		MF, 1%, 0204, E24
0 R 206	57.60.1561	560R		MF, 1%, 0204, E24
0 R 207	57.60.1561	560R		MF, 1%, 0204, E24
0 R 208	57.60.1561	560R		MF, 1%, 0204, E24
0 R 209	57.60.1561	560R		MF, 1%, 0204, E24
0 R 210	57.60.1561	560R		MF, 1%, 0204, E24
0 R 211	57.60.1561	560R		MF, 1%, 0204, E24
0 R 212	57.60.1561	560R		MF, 1%, 0204, E24

Idx. Pos.	Part No.	Qty.	Type/Val.	Description
0 R 213	57.60.1561		560R	MF, 1%, 0204, E24
0 R 214	57.60.1561		560R	MF, 1%, 0204, E24
0 R 215	57.60.1561		560R	MF, 1%, 0204, E24
0 R 216	57.60.1561		560R	MF, 1%, 0204, E24
0 R 217	57.60.1561		560R	MF, 1%, 0204, E24
0 R 218	57.60.1561		560R	MF, 1%, 0204, E24
0 R 219	57.60.1561		560R	MF, 1%, 0204, E24
0 R 220	57.60.1561		560R	MF, 1%, 0204, E24
0 R 221	57.60.1561		560R	MF, 1%, 0204, E24
0 R 222	57.60.1561		560R	MF, 1%, 0204, E24
0 R 223	57.60.1561		560R	MF, 1%, 0204, E24
0 R 224	57.60.1561		560R	MF, 1%, 0204, E24
0 R 225	57.60.1561		560R	MF, 1%, 0204, E24
0 R 226	57.60.1561		560R	MF, 1%, 0204, E24
0 R 227	57.60.1561		560R	MF, 1%, 0204, E24
0 R 228	57.60.1561		560R	MF, 1%, 0204, E24
0 R 229	57.60.1561		560R	MF, 1%, 0204, E24
0 R 230	57.60.1561		560R	MF, 1%, 0204, E24
0 R 231	57.60.1561		560R	MF, 1%, 0204, E24
0 R 232	57.60.1561		560R	MF, 1%, 0204, E24
0 R 233	57.60.1561		560R	MF, 1%, 0204, E24
0 R 234	57.60.1561		560R	MF, 1%, 0204, E24
0 S 1	55.12.1121			Code-Switch
0 S 2	55.12.1121			Code-Switch
0 S 3	55.15.0138		1*A	S 1 TASTE, 1*A,IMPULS,1.0 N
0 T 1	1.022.632.00		1:1	DI/DO TRANSFORMER
0 T 2	1.022.632.00		1:1	DI/DO TRANSFORMER
0 T 3	1.022.632.00		1:1	DI/DO TRANSFORMER
0 T 4	1.022.632.00		1:1	DI/DO TRANSFORMER
0 T 5	1.022.632.00		1:1	DI/DO TRANSFORMER
0 T 6	1.022.632.00		1:1	DI/DO TRANSFORMER
0 T 7	1.022.632.00		1:1	DI/DO TRANSFORMER
0 T 8	1.022.632.00		1:1	DI/DO TRANSFORMER
0 T 9	1.022.647.00		1:1.4	OUTPUT TRAF0 AES/EBU
0 T 10	1.022.647.00		1:1.4	OUTPUT TRAF0 AES/EBU
0 T 11	1.022.647.00		1:1.4	OUTPUT TRAF0 AES/EBU
0 T 12	1.022.647.00		1:1.4	OUTPUT TRAF0 AES/EBU
0 T 13	1.022.647.00		1:1.4	OUTPUT TRAF0 AES/EBU
0 T 14	1.022.647.00		1:1.4	OUTPUT TRAF0 AES/EBU
0 T 15	1.022.647.00		1:1.4	OUTPUT TRAF0 AES/EBU
0 T 16	1.022.647.00		1:1.4	OUTPUT TRAF0 AES/EBU
0 X 1	89.60.2002		16.0MHz	XTAL Oscillator
0 X 2	89.60.2004		40.0MHz	XTAL Oscillator
0 XDL 2	53.03.0165		20p	DIL 0.3", löt, gerade
0 XIC 1	1.950.920.20			SW 605/10/1 GAL A (50.63.3002)
0 XIC 2	1.950.921.20			SW 605/615 GAL B (50.63.3002)
0 XIC 3	1.950.930.26			SW605/06/10/16/21 BOOT(.1301)
0 XIC 8	53.03.0166	pce	8p	DIL 0.3", löt, gerade
0 XR 1	not used		1R	MF, 1%, 0204, E24
0 XXIC 3	53.03.2232		32p	PLCC-Socket
0 Y 1	89.01.1017		1.8432MHz	XTAL HC49U

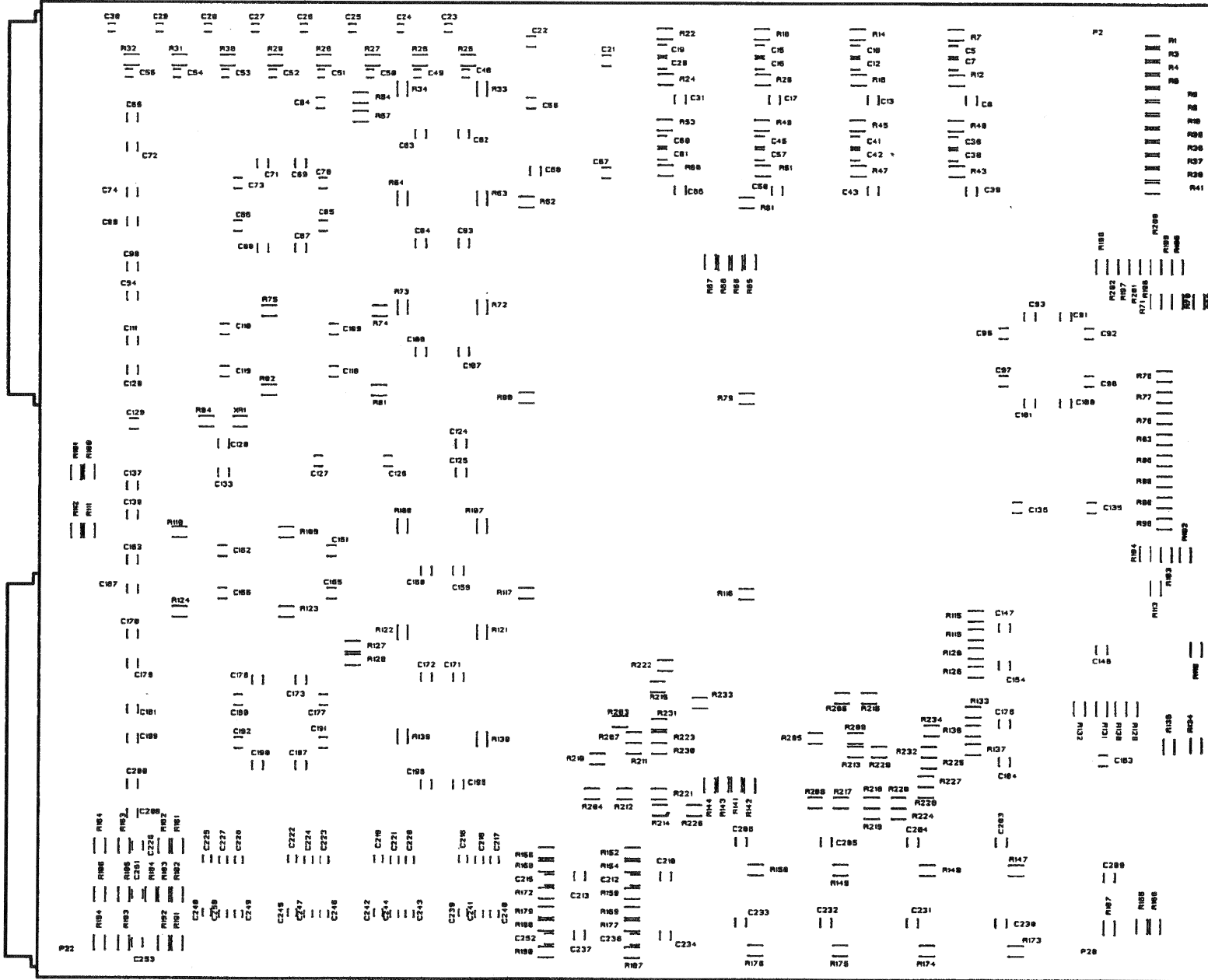
End of List

PE Board 1.950.610.26 (0) (Component Side)



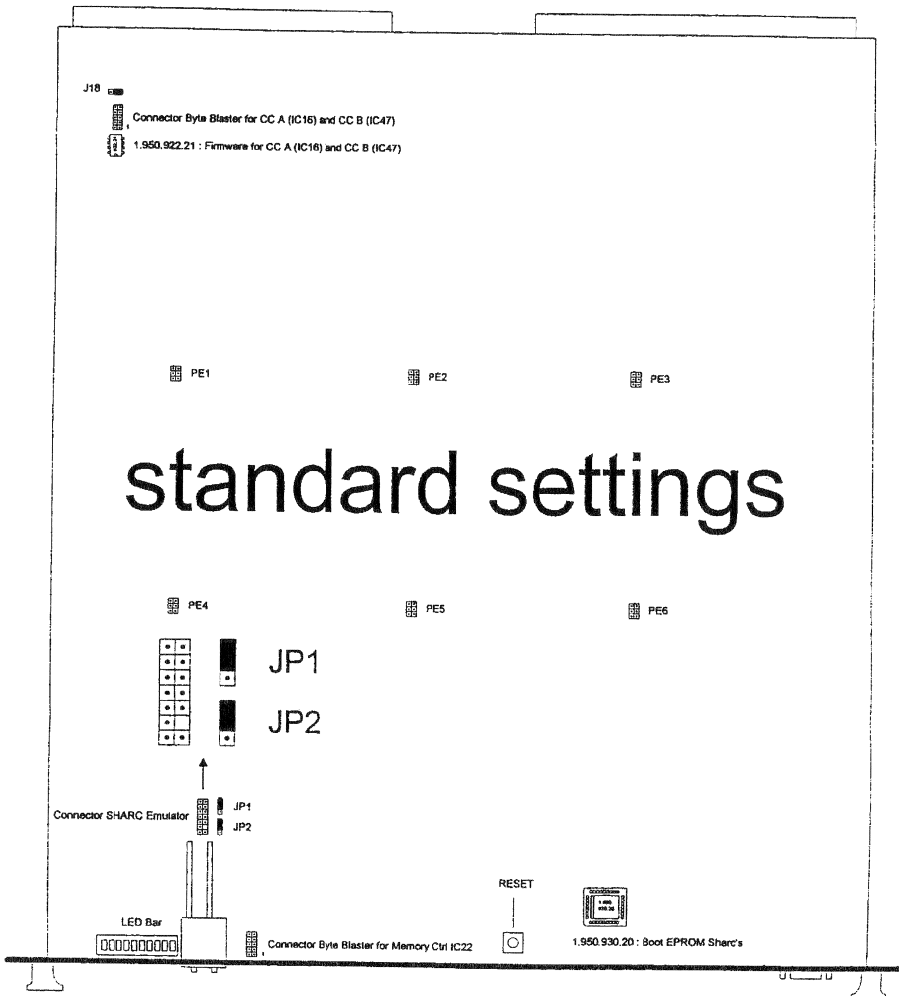
Accompanying documents:	General reference:	Order No.:	1.950.610-26
Application Interlog:	Premanufacturing:	Part No.:	1.950.610-26
Substitute for:	Replaced by:	Original Size:	A3
	Excluded from:	Original Form:	1/3
STUDER REGENSDORF		ESE	

PE Board 1.950.610.26 (0) (Solder Side)



Accompanying documents: Zugehörige Unterlagen: PL	General Tolerance: Freimaßtoleranz: ±	Scale: Maßstab: 1:1	14.11.02	hm	hm	pg	0
			Date Datum	Version Fassung	Sheet Blatt	From Aus	Index
Substitute for: Ersatz für:	Replaced by: Ersatz durch:		Original Size: Originalformat: A3		Page: Seite: 2/3		
STUDER REGENSDORF	PE Board ESE		1.950.610-26		Drawing Zeichnung		

PE Board 1.950.610.26 (0) (Jumper Setting)



standard settings

Settings for lab use

Jumper settings for board test



Jumper settings Byte Blaster (IC16 and IC47)

If you want to program the Altera with the Byte Blaster, you first have to remove R58



Jumper settings using the SHARC Emulator

If you want to access a PE with the Emulator, you first have to remove the corresponding resistors
 ((R62 to access PE1) (R80 PE2) (R117 PE4) (R61 PE4) (R79 PE5) (R116 PE6))

		access by the Emulator	
		yes	no
resistor in place	yes	⬆	⬆
	no	⬆	⬆

Accompanying documents: Zugehörige Unterlagen: <i>PL</i>	General Tolerance: Freimasstoleranz: ±	Scale: Maßstab:	Edition: Ausgabe:	14. 11. 02 hm	HM	PG	①
Substitute for: Ersatz für:	Replaced by: Ersetzt durch:	Original Size: Originalformat:	Date: Datum	Visa Gez.	Nacht bepr.	Seiten Ges.	Index
STUDER REGENSDORF			Description: Benennung: <i>PE Board</i>		ESE Number: Nummer: <i>1.950.610-26</i>		Page: Seite: <i>3/3</i>

PE Board 1.950.610.26 (0)

Idx. Pos.	Part No.	Qty.	Type/Val.	Description
0 C 175	59.60.3337	100n		CER 50V, 10%, X7R, 0805
0 C 176	59.60.3337	100n		CER 50V, 10%, X7R, 0805
0 C 177	59.60.3337	100n		CER 50V, 10%, X7R, 0805
0 C 178	59.60.3337	100n		CER 50V, 10%, X7R, 0805
0 C 179	59.60.3337	100n		CER 50V, 10%, X7R, 0805
0 C 180	59.60.3337	100n		CER 50V, 10%, X7R, 0805
0 C 181	59.60.3337	100n		CER 50V, 10%, X7R, 0805
0 C 182	59.68.0065	10u		EL 16V, 4.0*5.7
0 C 183	59.60.3337	100n		CER 50V, 10%, X7R, 0805
0 C 184	59.60.3337	100n		CER 50V, 10%, X7R, 0805
0 C 185	59.60.3337	100n		CER 50V, 10%, X7R, 0805
0 C 186	59.60.3337	100n		CER 50V, 10%, X7R, 0805
0 C 187	59.60.3337	100n		CER 50V, 10%, X7R, 0805
0 C 188	59.60.3337	100n		CER 50V, 10%, X7R, 0805
0 C 189	59.60.3337	100n		CER 50V, 10%, X7R, 0805
0 C 190	59.60.3337	100n		CER 50V, 10%, X7R, 0805
0 C 191	59.60.3337	100n		CER 50V, 10%, X7R, 0805
0 C 192	59.60.3337	100n		CER 50V, 10%, X7R, 0805
0 C 193	59.60.3337	100n		CER 50V, 10%, X7R, 0805
0 C 194	59.60.3337	100n		CER 50V, 10%, X7R, 0805
0 C 195	59.60.3337	100n		CER 50V, 10%, X7R, 0805
0 C 196	59.60.3337	100n		CER 50V, 10%, X7R, 0805
0 C 197	59.60.3337	100n		CER 50V, 10%, X7R, 0805
0 C 198	59.60.3337	100n		CER 50V, 10%, X7R, 0805
0 C 199	59.60.3337	100n		CER 50V, 10%, X7R, 0805
0 C 200	59.60.3337	100n		CER 50V, 10%, X7R, 0805
0 C 201	59.60.2241	47p		CER 50V, 5%, COG, 0603
0 C 202	59.60.2233	22p		CER 50V, 5%, COG, 0603
0 C 203	not used	100n		CER 50V, 10%, X7R, 0805
0 C 204	not used	100n		CER 50V, 10%, X7R, 0805
0 C 205	not used	100n		CER 50V, 10%, X7R, 0805
0 C 206	not used	100n		CER 50V, 10%, X7R, 0805
0 C 207	not used	10u		EL 35V, 5.0*5.7
0 C 208	59.60.3337	100n		CER 50V, 10%, X7R, 0805
0 C 209	59.60.3337	100n		CER 50V, 10%, X7R, 0805
0 C 210	not used	100n		CER 50V, 10%, X7R, 0805
0 C 211	not used	100n		CER 50V, 10%, X7R, 0805
0 C 212	not used	100n		CER 50V, 10%, X7R, 0805
0 C 213	not used	100n		CER 50V, 10%, X7R, 0805
0 C 214	not used	100n		CER 50V, 10%, X7R, 0805
0 C 215	not used	100n		CER 50V, 10%, X7R, 0805
0 C 216	not used	100p		CER 50V, 5%, COG, 0603
0 C 217	not used	100p		CER 50V, 5%, COG, 0603
0 C 218	not used	100p		CER 50V, 5%, COG, 0603
0 C 219	not used	100p		CER 50V, 5%, COG, 0603
0 C 220	not used	100p		CER 50V, 5%, COG, 0603
0 C 221	not used	100p		CER 50V, 5%, COG, 0603
0 C 222	not used	100p		CER 50V, 5%, COG, 0603
0 C 223	not used	100p		CER 50V, 5%, COG, 0603
0 C 224	not used	100p		CER 50V, 5%, COG, 0603
0 C 225	not used	100p		CER 50V, 5%, COG, 0603
0 C 226	not used	100p		CER 50V, 5%, COG, 0603
0 C 227	not used	100p		CER 50V, 5%, COG, 0603
0 C 228	59.60.3337	100n		CER 50V, 10%, X7R, 0805
0 C 229	59.60.3337	100n		CER 50V, 10%, X7R, 0805
0 C 230	not used	100n		CER 50V, 10%, X7R, 0805
0 C 231	not used	100n		CER 50V, 10%, X7R, 0805
0 C 232	not used	100n		CER 50V, 10%, X7R, 0805
0 C 233	not used	100n		CER 50V, 10%, X7R, 0805
0 C 234	not used	100n		CER 50V, 10%, X7R, 0805
0 C 235	not used	100n		CER 50V, 10%, X7R, 0805
0 C 236	not used	100n		CER 50V, 10%, X7R, 0805
0 C 237	not used	100n		CER 50V, 10%, X7R, 0805
0 C 238	not used	100n		CER 50V, 10%, X7R, 0805
0 C 239	not used	100p		CER 50V, 5%, COG, 0603
0 C 240	not used	100p		CER 50V, 5%, COG, 0603
0 C 241	not used	100p		CER 50V, 5%, COG, 0603
0 C 242	not used	100p		CER 50V, 5%, COG, 0603
0 C 243	not used	100p		CER 50V, 5%, COG, 0603
0 C 244	not used	100p		CER 50V, 5%, COG, 0603
0 C 245	not used	100p		CER 50V, 5%, COG, 0603
0 C 246	not used	100p		CER 50V, 5%, COG, 0603
0 C 247	not used	100p		CER 50V, 5%, COG, 0603
0 C 248	not used	100p		CER 50V, 5%, COG, 0603
0 C 249	not used	100p		CER 50V, 5%, COG, 0603
0 C 250	not used	100p		CER 50V, 5%, COG, 0603
0 C 251	59.60.3337	100n		CER 50V, 10%, X7R, 0805
0 C 252	not used	100n		CER 50V, 10%, X7R, 0805
0 C 253	59.60.3337	100n		CER 50V, 10%, X7R, 0805
0 DL 1	50.04.2751	grn		LED mit Halter
0 DL 2	50.04.2811	10*grn		LED-Bargraph 10*green
0 DL 10	not used	grn		LED mit Halter
0 DL 11	not used	grn		LED mit Halter
0 DL 12	not used	grn		LED mit Halter
0 DL 15	not used	grn		LED mit Halter
0 DL 16	not used	grn		LED mit Halter
0 DL 18	not used	grn		LED mit Halter

Idx. Pos.	Part No.	Qty.	Type/Val.	Description
0 DL 19	not used		grn	LED mit Halter
0 DL 20	not used		grn	LED mit Halter
0 DL 22	50.04.2750		red	LED mit Halter
0 IC 1	not used		CS8411A	Dig audio interface receiver
0 IC 2	not used		CS8411A	Dig audio interface receiver
0 IC 3	not used		CS8411A	Dig audio interface receiver
0 IC 4	not used		CS8411A	Dig audio interface receiver
0 IC 5	not used		AD1890	Sample Rate Converter
0 IC 6	not used		DS34C86	4*RS 422 Line Receiver
0 IC 7	not used		DS34C86	4*RS 422 Line Receiver
0 IC 8	1.950.922.22			SW 605/615 CC (50.63.4298)
0 IC 9	not used		CS8411A	Dig audio interface receiver
0 IC 10	not used		CS8411A	Dig audio interface receiver
0 IC 11	not used		CS8411A	Dig audio interface receiver
0 IC 12	not used		CS8411A	Dig audio interface receiver
0 IC 13	50.63.1506		IDT7014	Dualport SRAM, 4K*9
0 IC 14	50.62.6745		74ABTE16245	16bit Bus-Driver
0 IC 15	not used		AD1890	Sample Rate Converter
0 IC 16	50.63.4207		EPF8820R	EPLD 8000 QFP208
0 IC 17	50.62.6745		74ABTE16245	16bit Bus-Driver
0 IC 18	50.63.1506		IDT7014	Dualport SRAM, 4K*9
0 IC 19	50.63.0408		ADSP21062	32bit DSP
0 IC 20	50.63.0408		ADSP21062	32bit DSP
0 IC 21	50.62.6974		74FCT162374	16bit Bus Latches
0 IC 22	1.950.919.21			SW 610 MEMCTRL (50.63.4206)
0 IC 23	50.63.1506		IDT7014	Dualport SRAM, 4K*9
0 IC 24	50.63.1506		IDT7014	Dualport SRAM, 4K*9
0 IC 25	50.63.1506		IDT7014	Dualport SRAM, 4K*9
0 IC 26	50.62.6974		74FCT162374	16bit Bus Latches
0 IC 27	50.62.6915		74FCT88915	Clock-Driver
0 IC 28	50.62.6946		74FCT162245	16bit Bus-Driver, tri
0 IC 29	50.62.6946		74FCT162245	16bit Bus-Driver, tri
0 IC 30	50.62.6907		74FCT807	Share Clock-Driver
0 IC 31	50.63.0408		ADSP21062	32bit DSP
0 IC 32	50.63.0408		ADSP21062	32bit DSP
0 IC 33	50.62.6746		74ABTE16246	16bit Bus-Driver o.c.
0 IC 34	50.63.1506		IDT7014	Dualport SRAM, 4K*9
0 IC 35	50.63.1506		IDT7014	Dualport SRAM, 4K*9
0 IC 36	50.63.1506		IDT7014	Dualport SRAM, 4K*9
0 IC 37	50.62.6745		74ABTE16245	16bit Bus-Driver
0 IC 38	50.63.2001		7705B	Reset Generator
0 IC 39	50.62.6946		74FCT162245	16bit Bus-Driver, tri
0 IC 40	50.62.6745		74ABTE16245	16bit Bus-Driver
0 IC 41	50.63.0408		ADSP21062	32bit DSP
0 IC 42	50.63.0408		ADSP21062	32bit DSP
0 IC 43	50.63.1506		IDT7014	Dualport SRAM, 4K*9
0 IC 44	50.63.2001		7705B	Reset Generator
0 IC 45	50.63.0203		TL16C550	UART
0 IC 46	50.62.6946		74FCT162245	16bit Bus-Driver, tri
0 IC 47	50.63.4207		EPF8820R	EPLD 8000 QFP208
0 IC 48	50.62.6974		74FCT162374	16bit Bus Latches
0 IC 49	50.63.1506		IDT7014	Dualport SRAM, 4K*9
0 IC 50	50.62.6974		74FCT162374	16bit Bus Latches
0 IC 51	not used		CS8401A	Dig audio interface transmitt
0 IC 52	not used		CS8401A	Dig audio interface transmitt
0 IC 53	not used		CS8401A	Dig audio interface transmitt
0 IC 54	not used		CS8401A	Dig audio interface transmitt
0 IC 55	50.62.0462		MAX 225	5*RS 232 Driver/Receiver
0 IC 56	not used		DS34C87	4*RS 422 Line Driver
0 IC 57	not used		DS34C87	4*RS 422 Line Driver
0 IC 58	50.62.6905		49FCT805	Dual Clock-Driver
0 IC 59	not used		CS8401A	Dig audio interface transmitt
0 IC 60	not used		CS8401A	Dig audio interface transmitt
0 IC 61	not used		CS8401A	Dig audio interface transmitt
0 IC 62	not used		CS8401A	Dig audio interface transmitt
0 IC 63	not used		DS34C87	4*RS 422 Line Driver
0 IC 64	not used		DS34C87	4*RS 422 Line Driver
0 IC 65	50.62.6905		49FCT805	Dual Clock-Driver
0 J 1	not used		1p	Pin, 1reihig, gerade
0 J 2	not used		1p	Pin, 1reihig, gerade
0 J 3	not used		1p	Pin, 1reihig, gerade
0 J 4	not used		1p	Pin, 1reihig, gerade
0 J 5	not used		1p	Pin, 1reihig, gerade
0 J 6	not used		1p	Pin, 1reihig, gerade
0 J 7	not used		1p	Pin, 1reihig, gerade
0 J 8	not used		1p	Pin, 1reihig, gerade
0 J 9	not used		1p	Pin, 1reihig, gerade
0 J 10	not used		1p	Pin, 1reihig, gerade
0 J 11	not used		1p	Pin, 1reihig, gerade
0 J 12	not used		1p	Pin, 1reihig, gerade
0 J 13	not used		1p	Pin, 1reihig, gerade
0 J 14	not used		1p	Pin, 1reihig, gerade
0 J 15	not used		1p	Pin, 1reihig, gerade
0 J 16	not used		1p	Pin, 1reihig, gerade
0 J 17	not used 10 pcs		1p	Pin, 1reihig, gerade
0 J 18	not used 3 pcs		1p	Pin, 1reihig, gerade
0 J 19	not used		1p	Pin, 1reihig, gerade

PE Board 1.950.610.26 (0)

Idx.	Pos.	Part No.	Qty.	Type/Val.	Description	Idx.	Pos.	Part No.	Qty.	Type/Val.	Description
0	J 20	not used	1p		Pin, 1reihtig, gerade	0	R 39	not used	1k0		MF, 1%, 0204, E24
0	J 21	not used	1p		Pin, 1reihtig, gerade	0	R 40	not used	10k		MF, 1%, 0204, E24
0	J 22	not used	1p		Pin, 1reihtig, gerade	0	R 41	57.60.1331	330R		MF, 1%, 0204, E24
0	J 23	54.01.0020	14 pcs	1p	Pin, 1reihtig, gerade	0	R 42	not used	10R		MF, 1%, 0204, E24
0	J 24	54.11.0136	1 pce	2*3p	Pin 0.63*0.63, RM2.54	0	R 43	not used	10k		MF, 1%, 0204, E24
0	J 25	54.01.0020	0 pce	1p	Pin, 1reihtig, gerade	0	R 44	not used	1k0		MF, 1%, 0204, E24
0	J 26	54.01.0020	0 pce	1p	Pin, 1reihtig, gerade	0	R 45	not used	10k		MF, 1%, 0204, E24
0	J 27	54.11.0136	0 pce	2*3p	Pin 0.63*0.63, RM2.54	0	R 46	not used	10R		MF, 1%, 0204, E24
0	J 28	54.01.0020	0 pce	1p	Pin, 1reihtig, gerade	0	R 47	not used	10k		MF, 1%, 0204, E24
0	J 29	54.01.0020	0 pce	1p	Pin, 1reihtig, gerade	0	R 48	not used	1k0		MF, 1%, 0204, E24
0	J 30	54.11.2009	1 pce	96p	EU-R 3*32p	0	R 49	not used	10k		MF, 1%, 0204, E24
0	J 31	54.01.0020	10 pcs	1p	Pin, 1reihtig, gerade	0	R 50	not used	10R		MF, 1%, 0204, E24
0	J 32	54.11.0136	1 pce	2*3p	Pin 0.63*0.63, RM2.54	0	R 51	not used	10k		MF, 1%, 0204, E24
0	J 33	54.01.0020	0 pce	1p	Pin, 1reihtig, gerade	0	R 52	not used	1k0		MF, 1%, 0204, E24
0	J 34	54.01.0020	0 pce	1p	Pin, 1reihtig, gerade	0	R 53	not used	10k		MF, 1%, 0204, E24
0	J 35	54.11.0136	1 pce	2*3p	Pin 0.63*0.63, RM2.54	0	R 54	57.60.1102	1k0		MF, 1%, 0204, E24
0	J 36	54.01.0020	0 pce	1p	Pin, 1reihtig, gerade	0	R 55	57.60.1103	10k		MF, 1%, 0204, E24
0	J 37	54.01.0020	0 pce	1p	Pin, 1reihtig, gerade	0	R 56	57.60.1331	330R		MF, 1%, 0204, E24
0	J 38	not used	1p		Pin, 1reihtig, gerade	0	R 57	57.60.1102	1k0		MF, 1%, 0204, E24
0	J 39	not used	1p		Pin, 1reihtig, gerade	0	R 58	57.60.1109	1R		MF, 1%, 0204, E24
0	J 40	54.11.0136	1 pce	2*3p	Pin 0.63*0.63, RM2.54	0	R 59	not used	10R		MF, 1%, 0204, E24
0	J 41	54.01.0020	0 pce	1p	Pin, 1reihtig, gerade	0	R 60	not used	10k		MF, 1%, 0204, E24
0	J 42	54.01.0020	0 pce	1p	Pin, 1reihtig, gerade	0	R 61	57.60.1109	1R		MF, 1%, 0204, E24
0	J 43	54.11.0136	1 pce	2*3p	Pin 0.63*0.63, RM2.54	0	R 62	57.60.1109	1R		MF, 1%, 0204, E24
0	J 44	54.01.0020	0 pce	1p	Pin, 1reihtig, gerade	0	R 63	57.60.1103	10k		MF, 1%, 0204, E24
0	J 45	54.01.0020	0 pce	1p	Pin, 1reihtig, gerade	0	R 64	57.60.1103	10k		MF, 1%, 0204, E24
0	J 46	54.11.2009	1 pce	96p	EU-R 3*32p	0	R 65	57.60.1680	68R		MF, 1%, 0204, E24
0	J 47	54.13.0071	1 pce	9p	D-Sub, PCB, Winkel	0	R 66	57.60.1181	180R		MF, 1%, 0204, E24
0	J 48	54.01.0021	2 pcs	Jumper	0.63*0.63mm, Au	0	R 67	57.60.1680	68R		MF, 1%, 0204, E24
0	JP 1	54.01.0020	3 pcs	1p	Pin, 1reihtig, gerade	0	R 68	57.60.1181	180R		MF, 1%, 0204, E24
0	JP 2	54.01.0020	3 pcs	1p	Pin, 1reihtig, gerade	0	R 69	57.60.1103	10k		MF, 1%, 0204, E24
0	MP 1	1.950.605.12	1 pce		PEAES PCB	0	R 70	57.60.1103	10k		MF, 1%, 0204, E24
0	MP 2	1.950.610.04	1 pce		TYPENSCHILD	0	R 71	57.60.1103	10k		MF, 1%, 0204, E24
0	MP 3	43.01.0108	1 pce	Label	ESE-WARNSCHILD	0	R 72	57.60.1103	10k		MF, 1%, 0204, E24
0	MP 4	1.101.001.26	1 pce		TEXT-ETIK. 5*20 HARDWARE -26	0	R 73	57.60.1103	10k		MF, 1%, 0204, E24
0	MP 5	1.950.610.10	1 pce		BAUGRUPPENSCHILD 10X80	0	R 74	57.60.1103	10k		MF, 1%, 0204, E24
0	MP 8	89.01.1499	1 pce		QUARZ - ISOLIERPLATTE	0	R 75	57.60.1103	10k		MF, 1%, 0204, E24
0	MP 9	55.12.1122	1 pce		Seitenwand	0	R 76	57.60.1331	330R		MF, 1%, 0204, E24
0	MP 10	1.950.610.01	1 pce		FRONTPLATTE PE	0	R 77	57.60.1331	330R		MF, 1%, 0204, E24
0	MP 11	1.940.600.05	2 pcs		GRIFFEINLAGE 4TE	0	R 78	57.60.1331	330R		MF, 1%, 0204, E24
0	MP 12	49.02.0524	2 pcs	M2.5*12	Schraube spezial	0	R 79	57.60.1109	1R		MF, 1%, 0204, E24
0	MP 13	49.02.0521	2 pcs		Metall-Buchse (Rack)	0	R 80	57.60.1109	1R		MF, 1%, 0204, E24
0	MP 15	not used	2 pcs	M2.5*7	Senk-Schr, KS, Senkripp	0	R 81	57.60.1103	10k		MF, 1%, 0204, E24
0	MP 16	49.02.0514	1 pce	4TE	Frontplatten-Griffsatz	0	R 82	57.60.1103	10k		MF, 1%, 0204, E24
0	MP 19	28.99.0119	4 pcs		ROHRNIETE D 2.5*0.15* 9	0	R 83	57.60.1331	330R		MF, 1%, 0204, E24
0	MP 20	54.13.0081	2 pcs	4.85mm	Bolzen UNC 4-40	0	R 84	57.60.1109	1R		MF, 1%, 0204, E24
0	MP 21	24.16.2030	2 pcs	3.2/6.0	Fächerscheibe Form A	0	R 85	57.60.1270	27R		MF, 1%, 0204, E24
0	Q 1	50.60.0001		BC847B	NPN 45V 100mA SOT 23	0	R 86	57.60.1331	330R		MF, 1%, 0204, E24
0	Q 2	50.60.0001		BC847B	NPN 45V 100mA SOT 23	0	R 87	57.60.1270	27R		MF, 1%, 0204, E24
0	R 1	57.60.1331		330R	MF, 1%, 0204, E24	0	R 88	57.60.1331	330R		MF, 1%, 0204, E24
0	R 2	57.60.1105		1M	MF, 1%, 0204, E24	0	R 89	57.60.1270	27R		MF, 1%, 0204, E24
0	R 3	57.60.1331		330R	MF, 1%, 0204, E24	0	R 90	57.60.1331	330R		MF, 1%, 0204, E24
0	R 4	57.60.1331		330R	MF, 1%, 0204, E24	0	R 91	57.60.1270	27R		MF, 1%, 0204, E24
0	R 5	57.60.1331		330R	MF, 1%, 0204, E24	0	R 92	57.60.1270	27R		MF, 1%, 0204, E24
0	R 6	not used		1k0	MF, 1%, 0204, E24	0	R 93	57.60.1270	27R		MF, 1%, 0204, E24
0	R 7	not used		10k	MF, 1%, 0204, E24	0	R 94	57.60.1270	27R		MF, 1%, 0204, E24
0	R 8	57.60.1331		330R	MF, 1%, 0204, E24	0	R 95	57.60.1270	27R		MF, 1%, 0204, E24
0	R 9	57.60.1331		330R	MF, 1%, 0204, E24	0	R 96	57.60.1331	330R		MF, 1%, 0204, E24
0	R 10	57.60.1331		330R	MF, 1%, 0204, E24	0	R 97	57.60.1270	27R		MF, 1%, 0204, E24
0	R 11	not used		10R	MF, 1%, 0204, E24	0	R 98	57.60.1270	27R		MF, 1%, 0204, E24
0	R 12	not used		10k	MF, 1%, 0204, E24	0	R 99	57.60.1270	27R		MF, 1%, 0204, E24
0	R 13	not used		1k0	MF, 1%, 0204, E24	0	R 100	57.60.1331	330R		MF, 1%, 0204, E24
0	R 14	not used		10k	MF, 1%, 0204, E24	0	R 101	57.60.1103	10k		MF, 1%, 0204, E24
0	R 15	not used		10R	MF, 1%, 0204, E24	0	R 102	57.60.1104	100k		MF, 1%, 0204, E24
0	R 16	not used		10k	MF, 1%, 0204, E24	0	R 103	57.60.1103	10k		MF, 1%, 0204, E24
0	R 17	not used		1k0	MF, 1%, 0204, E24	0	R 104	57.60.1104	100k		MF, 1%, 0204, E24
0	R 18	not used		10k	MF, 1%, 0204, E24	0	R 105	57.60.1270	27R		MF, 1%, 0204, E24
0	R 19	not used		10R	MF, 1%, 0204, E24	0	R 106	57.60.1270	27R		MF, 1%, 0204, E24
0	R 20	not used		10k	MF, 1%, 0204, E24	0	R 107	57.60.1103	10k		MF, 1%, 0204, E24
0	R 21	not used		1k0	MF, 1%, 0204, E24	0	R 108	57.60.1103	10k		MF, 1%, 0204, E24
0	R 22	not used		10k	MF, 1%, 0204, E24	0	R 109	57.60.1103	10k		MF, 1%, 0204, E24
0	R 23	not used		10R	MF, 1%, 0204, E24	0	R 110	57.60.1103	10k		MF, 1%, 0204, E24
0	R 24	not used		10k	MF, 1%, 0204, E24	0	R 111	57.60.1331	330R		MF, 1%, 0204, E24
0	R 25	not used		110R	MF, 1%, 0204, E24	0	R 112	57.60.1103	10k		MF, 1%, 0204, E24
0	R 26	not used		110R	MF, 1%, 0204, E24	0	R 113	57.60.1103	10k		MF, 1%, 0204, E24
0	R 27	not used		110R	MF, 1%, 0204, E24	0	R 114	57.60.1270	27R		MF, 1%, 0204, E24
0	R 28	not used		110R	MF, 1%, 0204, E24	0	R 115	57.60.1103	10k		MF, 1%, 0204, E24
0	R 29	not used		110R	MF, 1%, 0204, E24	0	R 116	57.60.1109	1R		MF, 1%, 0204, E24
0	R 30	not used		110R	MF, 1%, 0204, E24	0	R 117	57.60.1109	1R		MF, 1%, 0204, E24
0	R 31	not used		110R	MF, 1%, 0204, E24	0	R 118	57.60.1102	1k0		MF, 1%, 0204, E24
0	R 32	not used		110R	MF, 1%, 0204, E24	0	R 119	57.60.1103	10k		MF, 1%, 0204, E24
0	R 33	57.60.1103		10k	MF, 1%, 0204, E24	0	R 120	57.60.1103	10k		MF, 1%, 0204, E24
0	R 34	57.60.1103		10k	MF, 1%, 0204, E24	0	R 121	57.60.1103	10k		MF, 1%, 0204, E24
0	R 35	57.60.1331		330R	MF, 1%, 0204, E24	0	R 122	57.60.1103	10k		MF, 1%, 0204, E24
0	R 36	57.60.1331		330R	MF, 1%, 0204, E24	0	R 123	57.60.1103	10k		MF, 1%, 0204, E24
0	R 37	57.60.1331		330R	MF, 1%, 0204, E24	0	R 124	57.60.1103	10k		MF, 1%, 0204, E24
0	R 38	57.60.1331		330R	MF, 1%, 0204, E24	0	R 125	57.60.1100	10R		MF, 1%, 0204, E24

PE Board 1.950.610.26 (0)

Idx.	Pos.	Part No.	Qty.	Type/Val.	Description
0	R 126	57.60.1103	10k		MF, 1%, 0204, E24
0	R 127	57.60.1102	1k0		MF, 1%, 0204, E24
0	R 128	57.60.1102	1k0		MF, 1%, 0204, E24
0	R 129	57.60.1103	10k		MF, 1%, 0204, E24
0	R 130	57.60.1103	10k		MF, 1%, 0204, E24
0	R 131	57.60.1103	10k		MF, 1%, 0204, E24
0	R 132	57.60.1103	10k		MF, 1%, 0204, E24
0	R 133	57.60.1103	10k		MF, 1%, 0204, E24
0	R 134	57.60.1103	10k		MF, 1%, 0204, E24
0	R 135	57.60.1103	10k		MF, 1%, 0204, E24
0	R 136	57.60.1103	10k		MF, 1%, 0204, E24
0	R 137	57.60.1103	10k		MF, 1%, 0204, E24
0	R 138	57.60.1103	10k		MF, 1%, 0204, E24
0	R 139	57.60.1103	10k		MF, 1%, 0204, E24
0	R 140	57.60.1100	10k		MF, 1%, 0204, E24
0	R 141	57.60.1181	180R		MF, 1%, 0204, E24
0	R 142	57.60.1680	68R		MF, 1%, 0204, E24
0	R 143	57.60.1181	180R		MF, 1%, 0204, E24
0	R 144	57.60.1680	68R		MF, 1%, 0204, E24
0	R 145	57.60.1152	1k5		MF, 1%, 0204, E24
0	R 146	57.60.1105	1M		MF, 1%, 0204, E24
0	R 147	not used	10k		MF, 1%, 0204, E24
0	R 148	not used	10k		MF, 1%, 0204, E24
0	R 149	not used	10k		MF, 1%, 0204, E24
0	R 150	not used	10k		MF, 1%, 0204, E24
0	R 151	not used	10k		MF, 1%, 0204, E24
0	R 152	not used	10k		MF, 1%, 0204, E24
0	R 153	not used	27R		MF, 1%, 0204, E24
0	R 154	not used	27R		MF, 1%, 0204, E24
0	R 155	not used	10k		MF, 1%, 0204, E24
0	R 156	not used	10k		MF, 1%, 0204, E24
0	R 157	not used	22R		MF, 1%, 0204, E24
0	R 158	not used	27R		MF, 1%, 0204, E24
0	R 159	not used	22R		MF, 1%, 0204, E24
0	R 160	57.60.1270	27R		MF, 1%, 0204, E24
0	R 161	57.60.1270	27R		MF, 1%, 0204, E24
0	R 162	57.60.1270	27R		MF, 1%, 0204, E24
0	R 163	57.60.1270	27R		MF, 1%, 0204, E24
0	R 164	57.60.1270	27R		MF, 1%, 0204, E24
0	R 165	57.60.1103	10k		MF, 1%, 0204, E24
0	R 166	57.60.1103	10k		MF, 1%, 0204, E24
0	R 167	57.60.1103	10k		MF, 1%, 0204, E24
0	R 168	not used	10k		MF, 1%, 0204, E24
0	R 169	not used	10k		MF, 1%, 0204, E24
0	R 170	not used	22R		MF, 1%, 0204, E24
0	R 171	not used	27R		MF, 1%, 0204, E24
0	R 172	not used	22R		MF, 1%, 0204, E24
0	R 173	not used	10k		MF, 1%, 0204, E24
0	R 174	not used	10k		MF, 1%, 0204, E24
0	R 175	not used	10k		MF, 1%, 0204, E24
0	R 176	not used	10k		MF, 1%, 0204, E24
0	R 177	not used	27R		MF, 1%, 0204, E24
0	R 178	not used	10k		MF, 1%, 0204, E24
0	R 179	not used	10k		MF, 1%, 0204, E24
0	R 180	not used	22R		MF, 1%, 0204, E24
0	R 181	not used	27R		MF, 1%, 0204, E24
0	R 182	57.60.1270	27R		MF, 1%, 0204, E24
0	R 183	57.60.1270	27R		MF, 1%, 0204, E24
0	R 184	57.60.1270	27R		MF, 1%, 0204, E24
0	R 185	57.60.1270	27R		MF, 1%, 0204, E24
0	R 186	57.60.1270	27R		MF, 1%, 0204, E24
0	R 187	not used	22R		MF, 1%, 0204, E24
0	R 188	not used	27R		MF, 1%, 0204, E24
0	R 189	not used	22R		MF, 1%, 0204, E24
0	R 190	not used	22R		MF, 1%, 0204, E24
0	R 191	57.60.1270	27R		MF, 1%, 0204, E24
0	R 192	57.60.1270	27R		MF, 1%, 0204, E24
0	R 193	57.60.1270	27R		MF, 1%, 0204, E24
0	R 194	57.60.1270	27R		MF, 1%, 0204, E24
0	R 195	57.60.1104	100k		MF, 1%, 0204, E24
0	R 196	57.60.1104	100k		MF, 1%, 0204, E24
0	R 197	57.60.1104	100k		MF, 1%, 0204, E24
0	R 198	57.60.1104	100k		MF, 1%, 0204, E24
0	R 199	57.60.1104	100k		MF, 1%, 0204, E24
0	R 200	57.60.1104	100k		MF, 1%, 0204, E24
0	R 201	57.60.1104	100k		MF, 1%, 0204, E24
0	R 202	57.60.1104	100k		MF, 1%, 0204, E24
0	R 203	57.60.1561	560R		MF, 1%, 0204, E24
0	R 204	57.60.1561	560R		MF, 1%, 0204, E24
0	R 205	57.60.1561	560R		MF, 1%, 0204, E24
0	R 206	57.60.1561	560R		MF, 1%, 0204, E24
0	R 207	57.60.1561	560R		MF, 1%, 0204, E24
0	R 208	57.60.1561	560R		MF, 1%, 0204, E24
0	R 209	57.60.1561	560R		MF, 1%, 0204, E24
0	R 210	57.60.1561	560R		MF, 1%, 0204, E24
0	R 211	57.60.1561	560R		MF, 1%, 0204, E24
0	R 212	57.60.1561	560R		MF, 1%, 0204, E24

Idx.	Pos.	Part No.	Qty.	Type/Val.	Description
0	R 213	57.60.1561		560R	MF, 1%, 0204, E24
0	R 214	57.60.1561		560R	MF, 1%, 0204, E24
0	R 215	57.60.1561		560R	MF, 1%, 0204, E24
0	R 216	57.60.1561		560R	MF, 1%, 0204, E24
0	R 217	57.60.1561		560R	MF, 1%, 0204, E24
0	R 218	57.60.1561		560R	MF, 1%, 0204, E24
0	R 219	57.60.1561		560R	MF, 1%, 0204, E24
0	R 220	57.60.1561		560R	MF, 1%, 0204, E24
0	R 221	57.60.1561		560R	MF, 1%, 0204, E24
0	R 222	57.60.1561		560R	MF, 1%, 0204, E24
0	R 223	57.60.1561		560R	MF, 1%, 0204, E24
0	R 224	57.60.1561		560R	MF, 1%, 0204, E24
0	R 225	57.60.1561		560R	MF, 1%, 0204, E24
0	R 226	57.60.1561		560R	MF, 1%, 0204, E24
0	R 227	57.60.1561		560R	MF, 1%, 0204, E24
0	R 228	57.60.1561		560R	MF, 1%, 0204, E24
0	R 229	57.60.1561		560R	MF, 1%, 0204, E24
0	R 230	57.60.1561		560R	MF, 1%, 0204, E24
0	R 231	57.60.1561		560R	MF, 1%, 0204, E24
0	R 232	57.60.1561		560R	MF, 1%, 0204, E24
0	R 233	57.60.1561		560R	MF, 1%, 0204, E24
0	R 234	57.60.1561		560R	MF, 1%, 0204, E24
0	S 1	55.12.1121			Code-Switch
0	S 2	55.12.1121			Code-Switch
0	S 3	55.15.0138		1*A	S 1 TASTE, 1*A,IMPULS,1.0 N
0	T 1	not used		1:1	DI/DO TRANSFORMER
0	T 2	not used		1:1	DI/DO TRANSFORMER
0	T 3	not used		1:1	DI/DO TRANSFORMER
0	T 4	not used		1:1	DI/DO TRANSFORMER
0	T 5	not used		1:1	DI/DO TRANSFORMER
0	T 6	not used		1:1	DI/DO TRANSFORMER
0	T 7	not used		1:1	DI/DO TRANSFORMER
0	T 8	not used		1:1	DI/DO TRANSFORMER
0	T 9	not used		1:1.4	OUTPUT TRAF0 AES/EBU
0	T 10	not used		1:1.4	OUTPUT TRAF0 AES/EBU
0	T 11	not used		1:1.4	OUTPUT TRAF0 AES/EBU
0	T 12	not used		1:1.4	OUTPUT TRAF0 AES/EBU
0	T 13	not used		1:1.4	OUTPUT TRAF0 AES/EBU
0	T 14	not used		1:1.4	OUTPUT TRAF0 AES/EBU
0	T 15	not used		1:1.4	OUTPUT TRAF0 AES/EBU
0	T 16	not used		1:1.4	OUTPUT TRAF0 AES/EBU
0	X 1	not used		16.0MHz	XTAL Oscillator
0	X 2	89.60.2004		40.0MHz	XTAL Oscillator
0	XDL 2	53.03.0165		20p	DIL 0.3", löf, gerade
0	XIC 1	1.950.920.20			SW 605/10/1 GAL A (50.63.3002)
0	XIC 2	1.950.921.20			SW 605/1615 GAL B (50.63.3002)
0	XIC 3	1.950.930.26			SW605/06/10/16/21 BOOT(.1301)
0	XIC 8	53.03.0166	pce	8p	DIL 0.3", löf, gerade
0	XR 1	not used		1R	MF, 1%, 0204, E24
0	XXIC 3	53.03.2232		32p	PLCC-Socket
0	Y 1	89.01.1017		1.8432MHz	XTAL HC49U

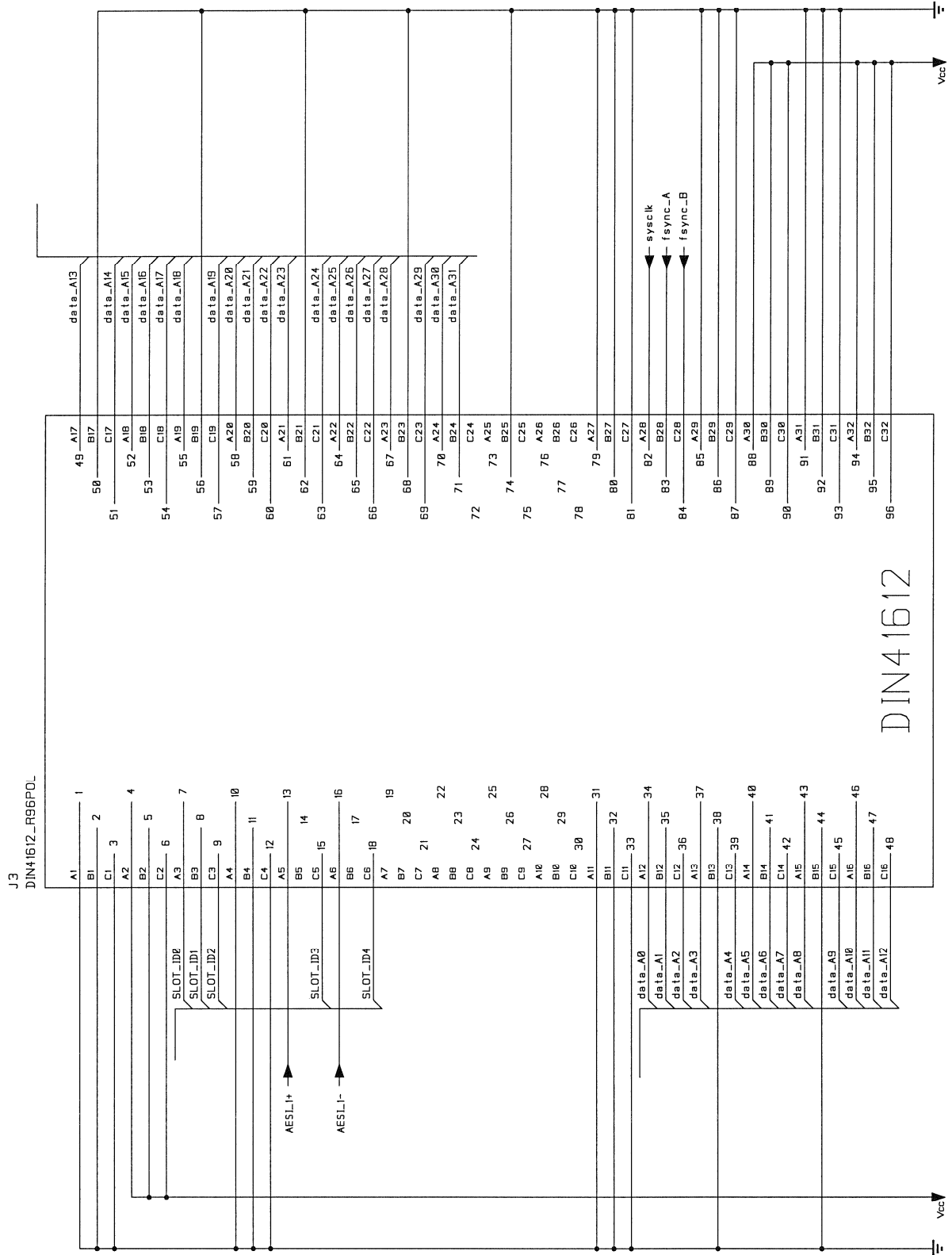
End of List

DIAGRAMS MADI/MEMNET BOARD

	Assembly No.	Diagram	Component Layout	Parts List
MADI Board 96k	1.950.616.20	1.950.616.20	1.950.616.20	1.950.616.20
MEMNET Board 96k	1.950.621.20		1.950.621.20	1.950.621.20

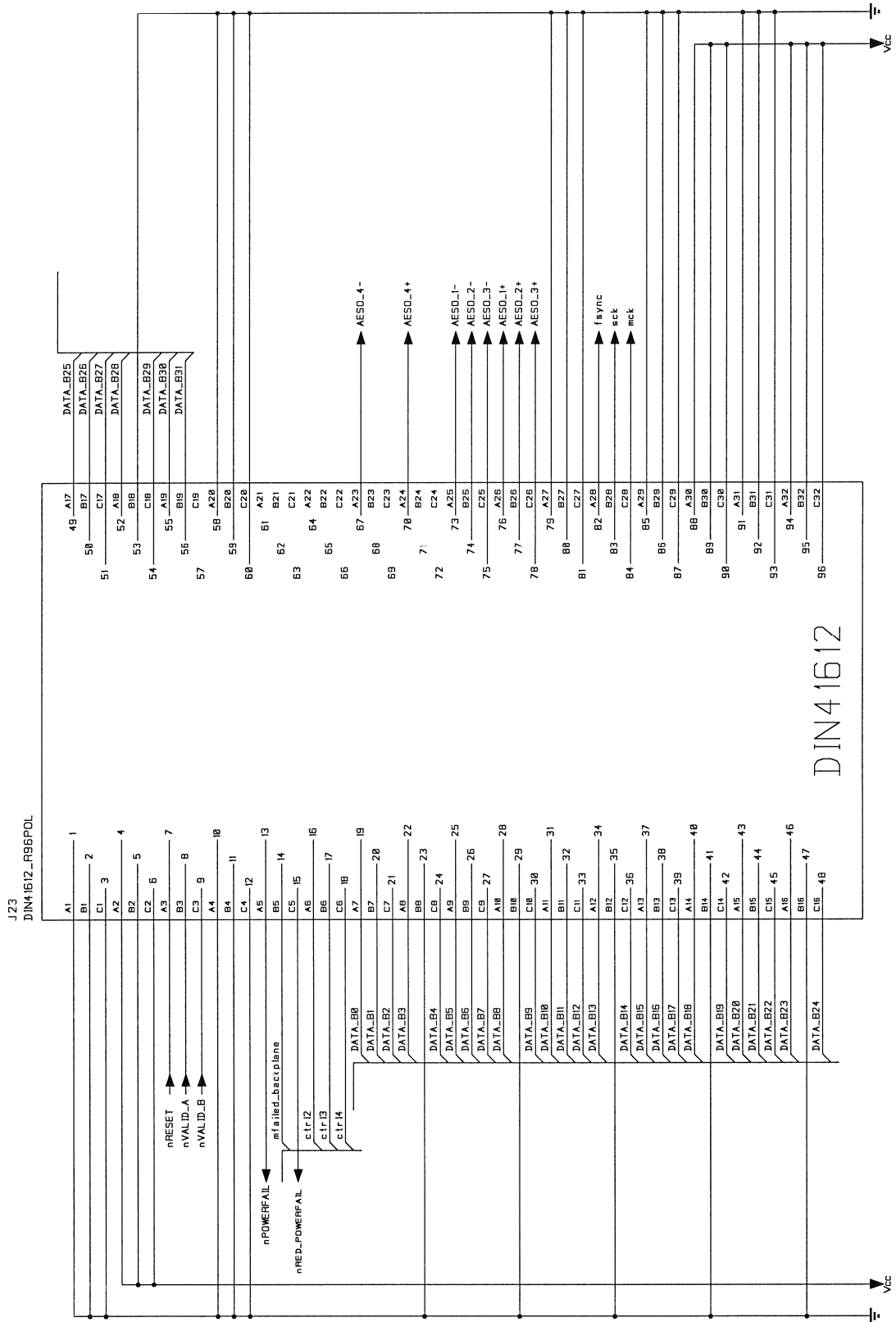
MADI Board 96k 1.950.616.20 (0)

MEMNET Board 96k 1.950.621.20 (0)

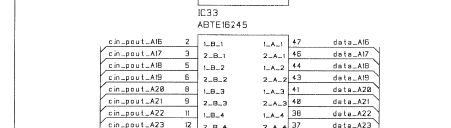
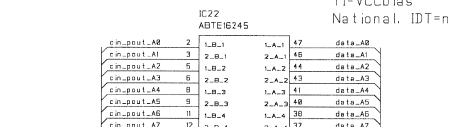
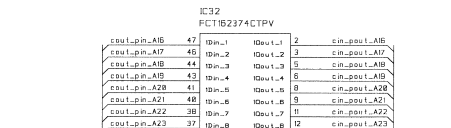
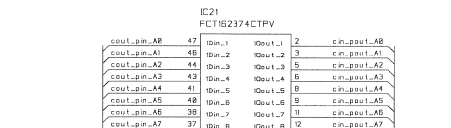
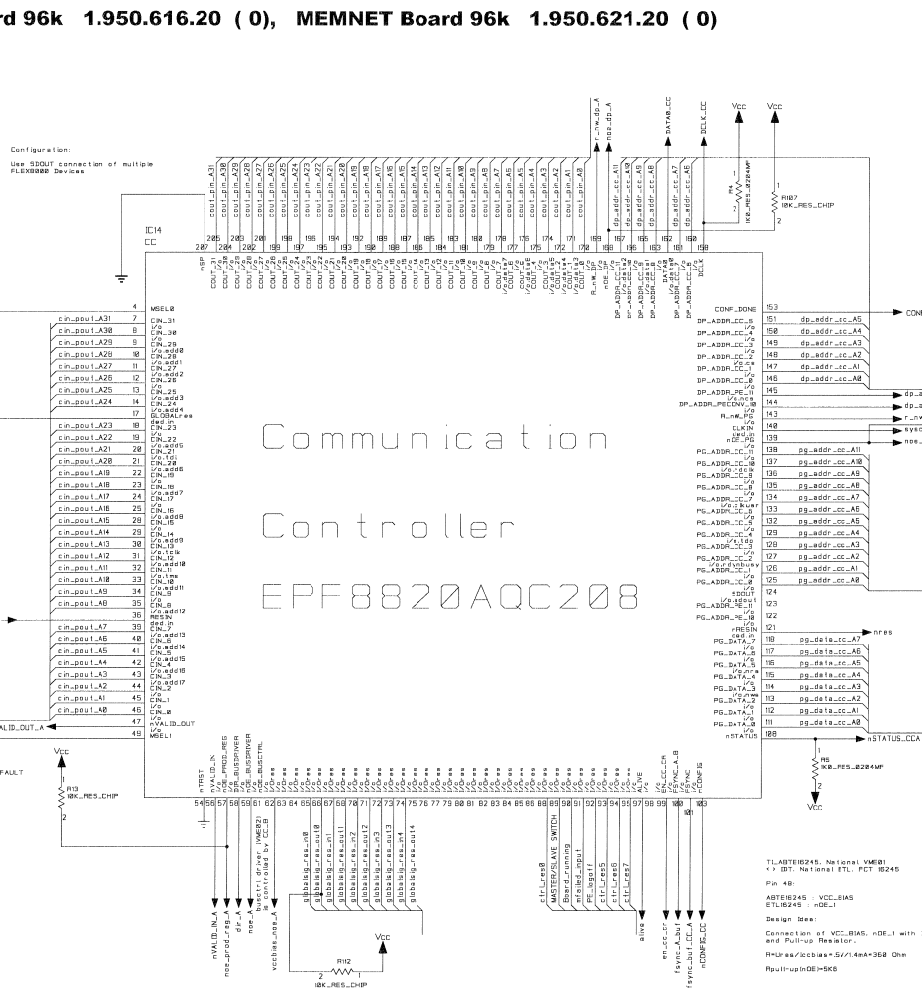


MADI Board 96k 1.950.616.20 (0)

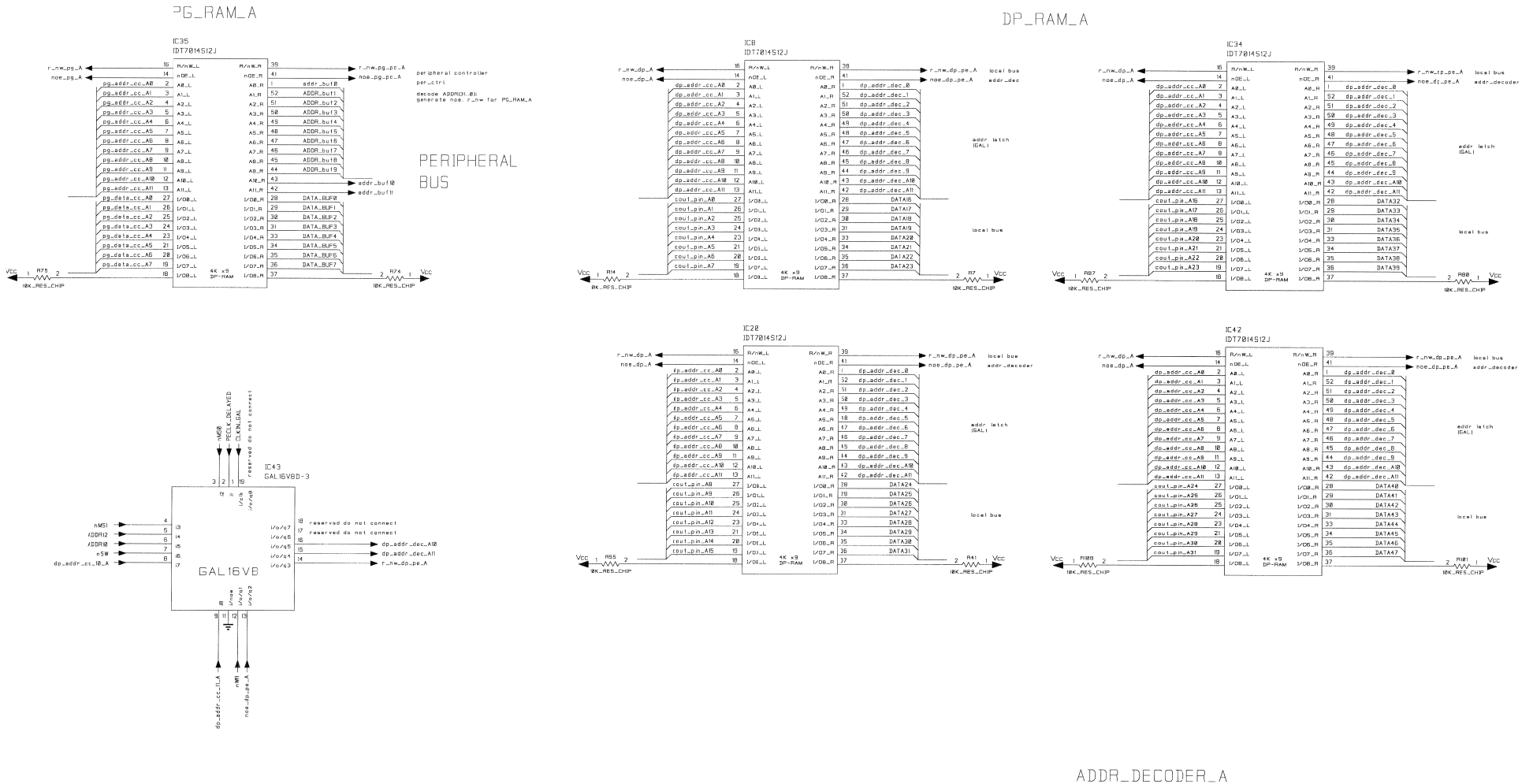
MEMNET Board 96k 1.950.621.20 (0)



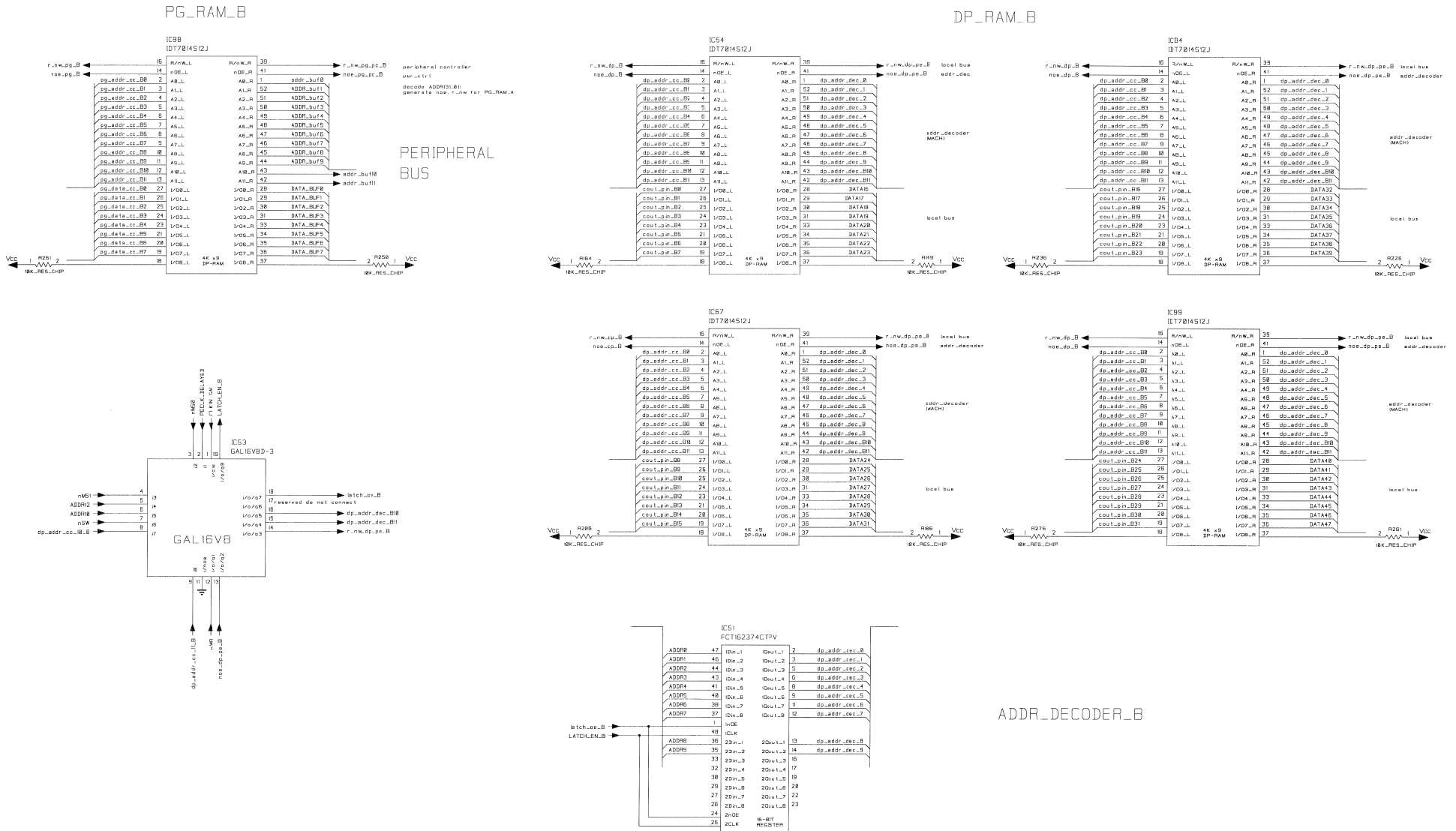
MADI Board 96k 1.950.616.20 (0), MEMNET Board 96k 1.950.621.20 (0)



MADI Board 96k 1.950.616.20 (0), MEMNET Board 96k 1.950.621.20 (0)



MADI Board 96k 1.950.616.20 (0), MEMNET Board 96k 1.950.621.20 (0)



MADI Board 96k 1.950.616.20 (0), MEMNET Board 96k 1.950.621.20 (0)

PE_1

to be done:

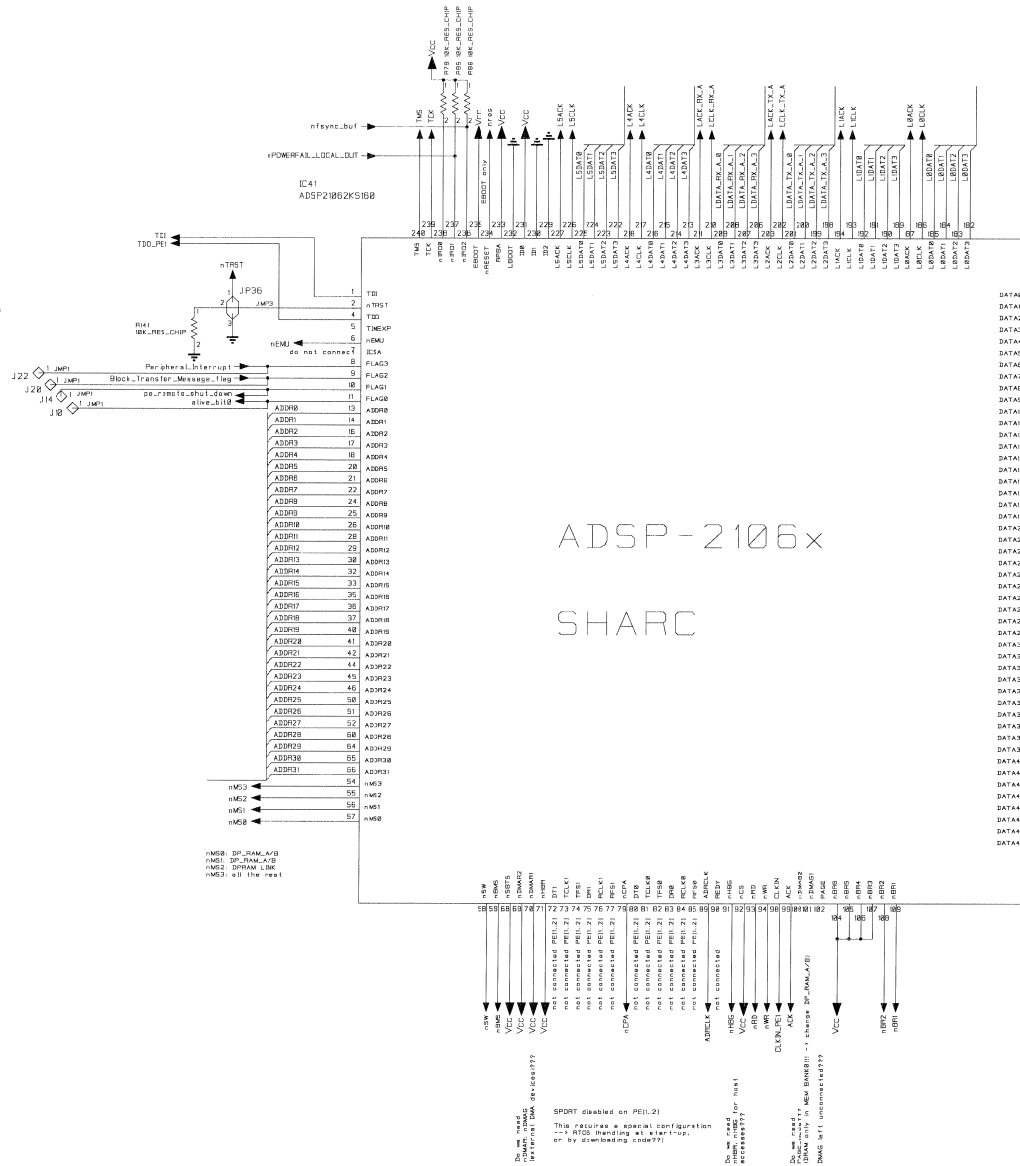
FLASH (BI) connection:
 - do not connect PE_1 key
 - do not connect PE_2 key
 - do not connect PE_3 key

FLASH memory booting:
 each PE is configured for booting (see table)

JTAG connection, EMULATOR:
 change TDO_PEX, TDI_PEX to the corresponding PE_ID
 (--- serial scan path 5.23 CDD)

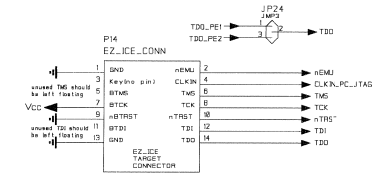
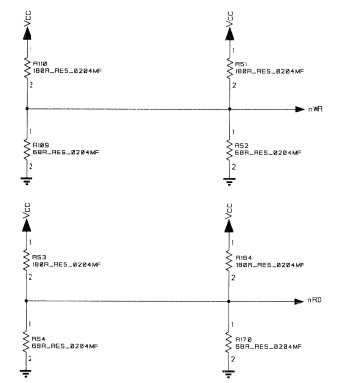
INTERRUPT CONNECTION:
 do not connect

TIME EXP connection:
 change CLKEN on each PE
 CLKEN_PEX1, CLKEN_PEX2, ...
 distribution through 1-to-8 clk driver



DATA0	170	DATA0
DATA1	176	DATA1
DATA2	177	DATA2
DATA3	175	DATA3
DATA4	174	DATA4
DATA5	173	DATA5
DATA6	171	DATA6
DATA7	172	DATA7
DATA8	169	DATA8
DATA9	167	DATA9
DATA10	166	DATA10
DATA11	165	DATA11
DATA12	163	DATA12
DATA13	162	DATA13
DATA14	161	DATA14
DATA15	160	DATA15
DATA16	159	DATA16
DATA17	157	DATA17
DATA18	155	DATA18
DATA19	154	DATA19
DATA20	153	DATA20
DATA21	151	DATA21
DATA22	152	DATA22
DATA23	149	DATA23
DATA24	147	DATA24
DATA25	145	DATA25
DATA26	144	DATA26
DATA27	142	DATA27
DATA28	141	DATA28
DATA29	139	DATA29
DATA30	138	DATA30
DATA31	137	DATA31
DATA32	135	DATA32
DATA33	132	DATA33
DATA34	131	DATA34
DATA35	130	DATA35
DATA36	127	DATA36
DATA37	125	DATA37
DATA38	123	DATA38
DATA39	122	DATA39
DATA40	121	DATA40
DATA41	121	DATA41
DATA42	119	DATA42
DATA43	118	DATA43
DATA44	117	DATA44
DATA45	115	DATA45
DATA46	114	DATA46
DATA47	113	DATA47

PARALLEL TERMINATION ON LOCAL BUS
 -nRD/nWR only critical

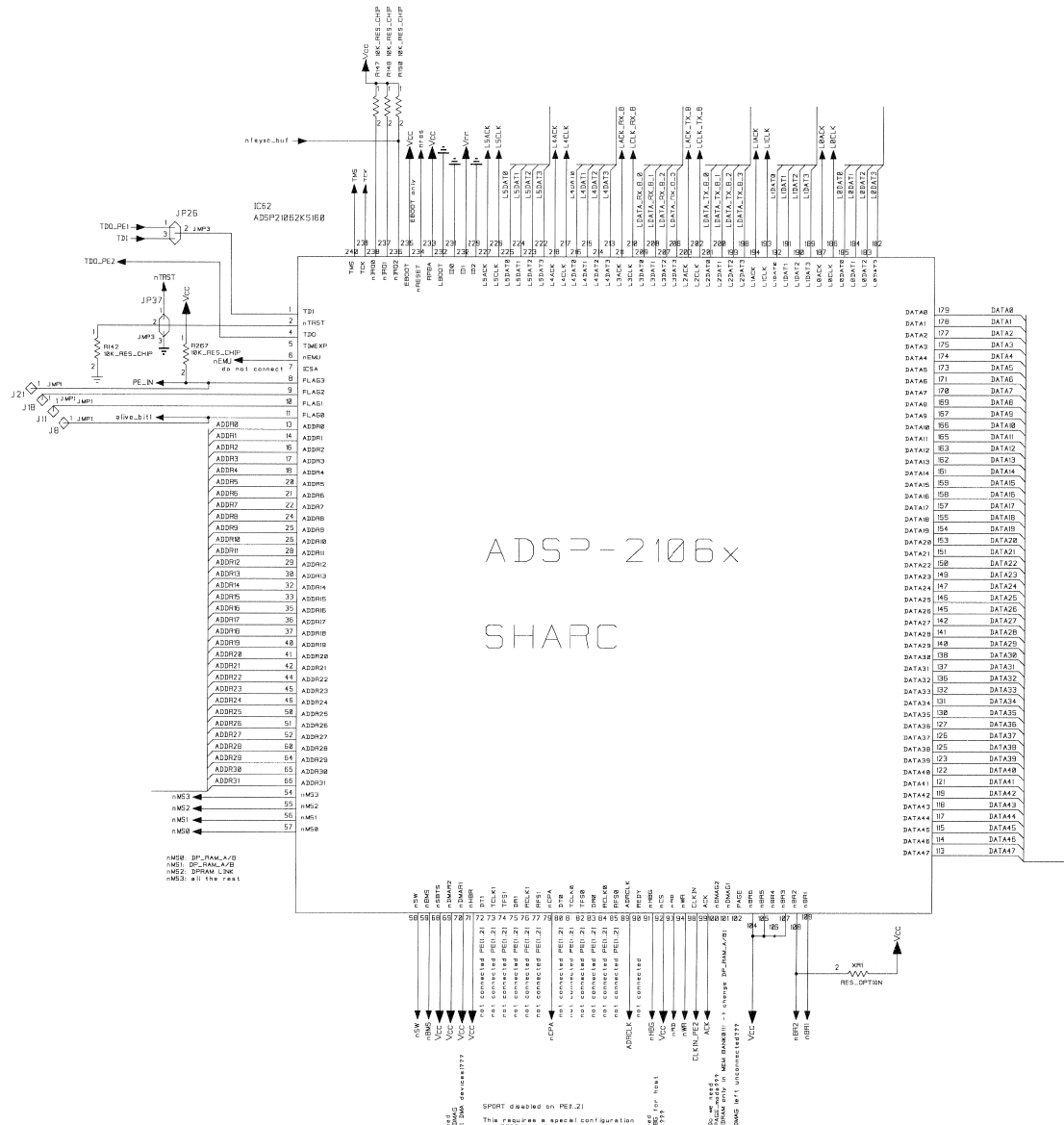


BOUNDARY SCAN board testing is not implemented!!!

SPORT disabled on PE1:21
 This requires a special configuration
 --> RT23 handling at start-up
 as by downloading code???

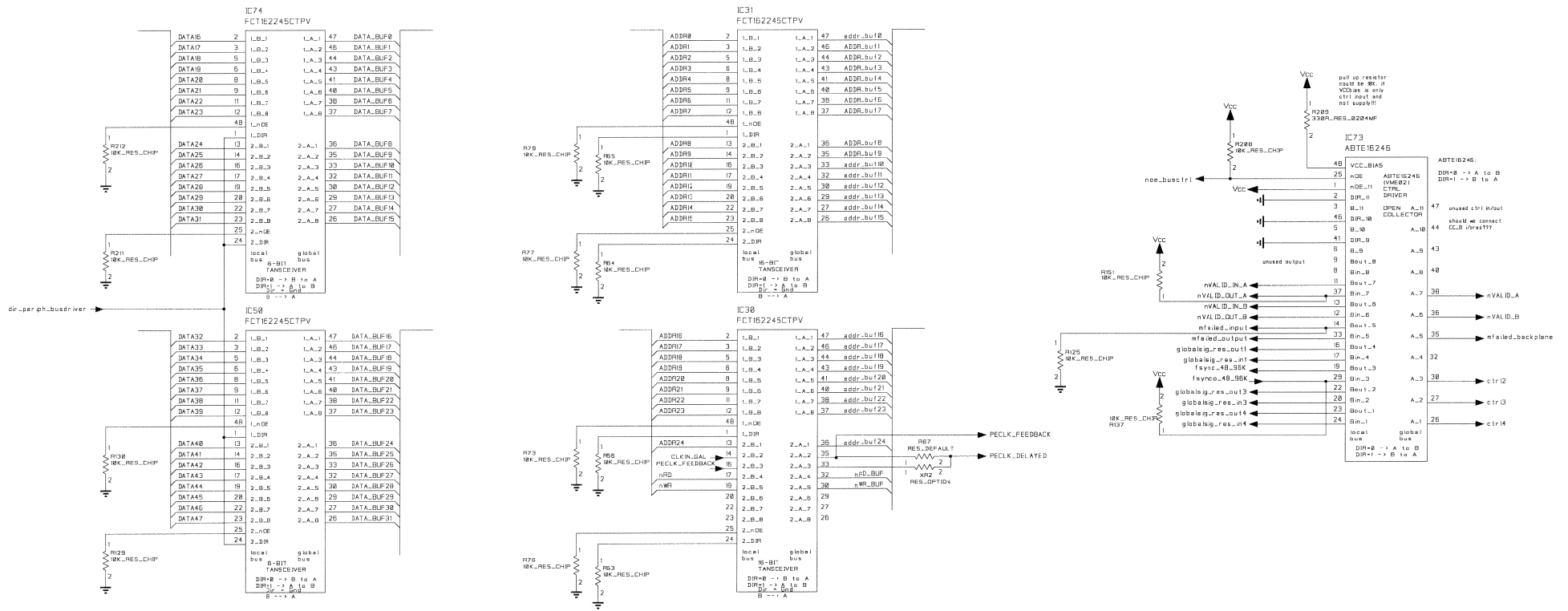
MADI Board 96k 1.950.616.20 (0), MEMNET Board 96k 1.950.621.20 (0)

PE_2

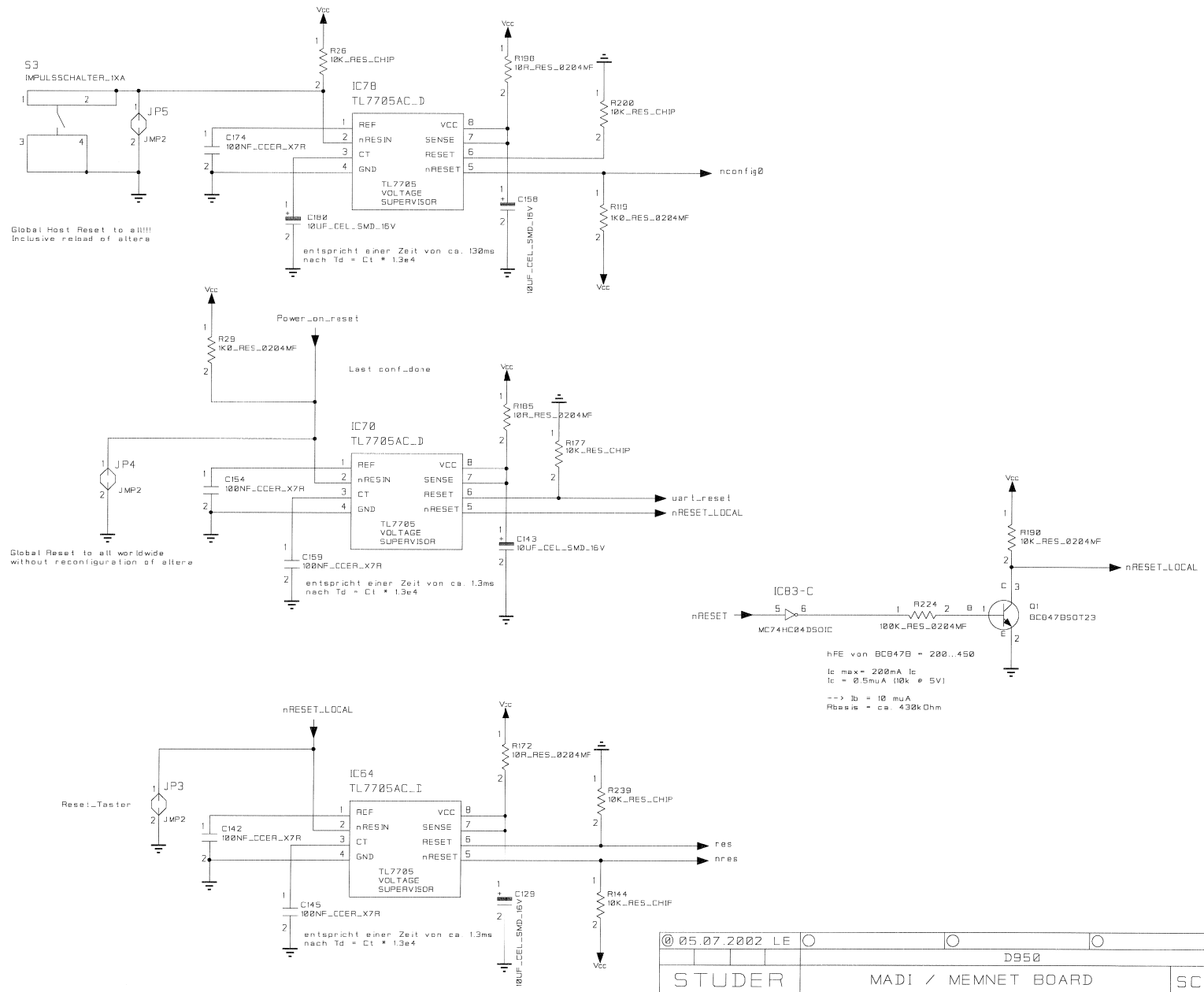


ADS-2106x
SHARC

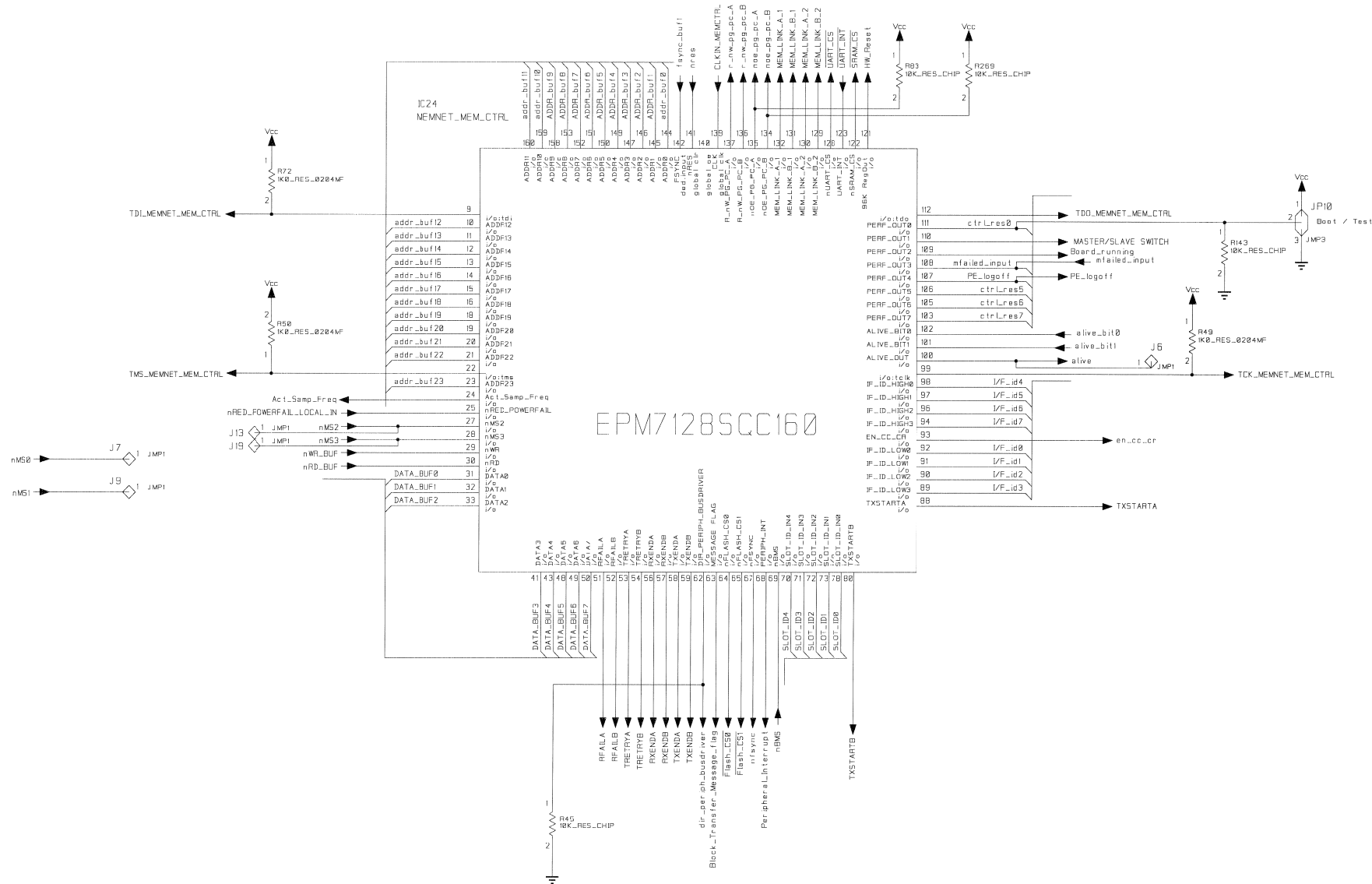
MADI Board 96k 1.950.616.20 (0), MEMNET Board 96k 1.950.621.20 (0)



MADI Board 96k 1.950.616.20 (0), MEMNET Board 96k 1.950.621.20 (0)

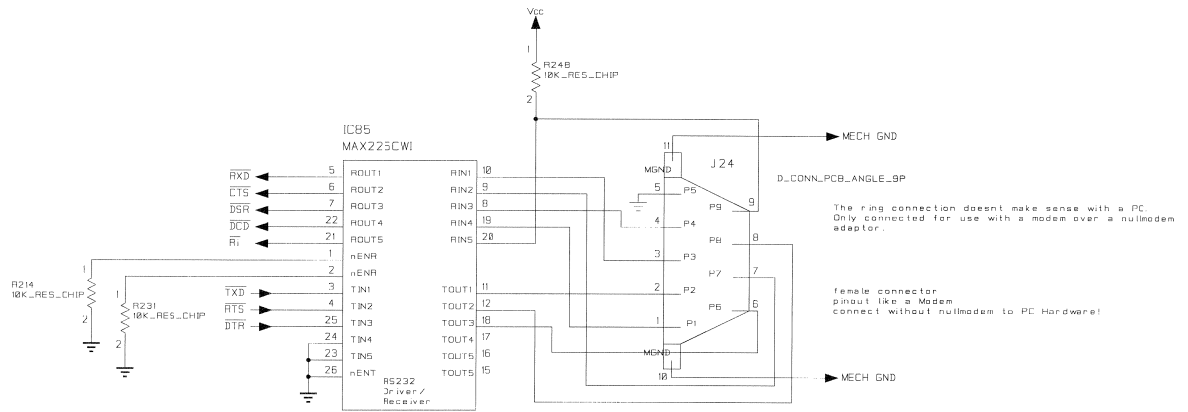
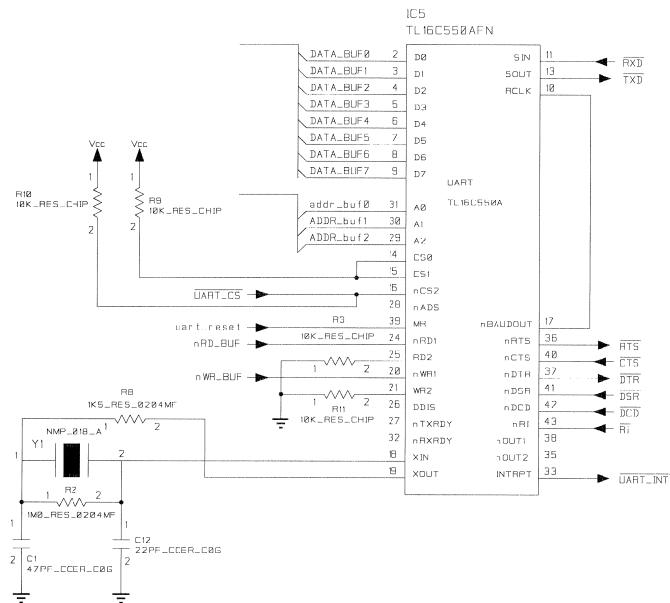


MADI Board 96k 1.950.616.20 (0), MEMNET Board 96k 1.950.621.20 (0)



MADI Board 96k 1.950.616.20 (0), MEMNET Board 96k 1.950.621.20 (0)

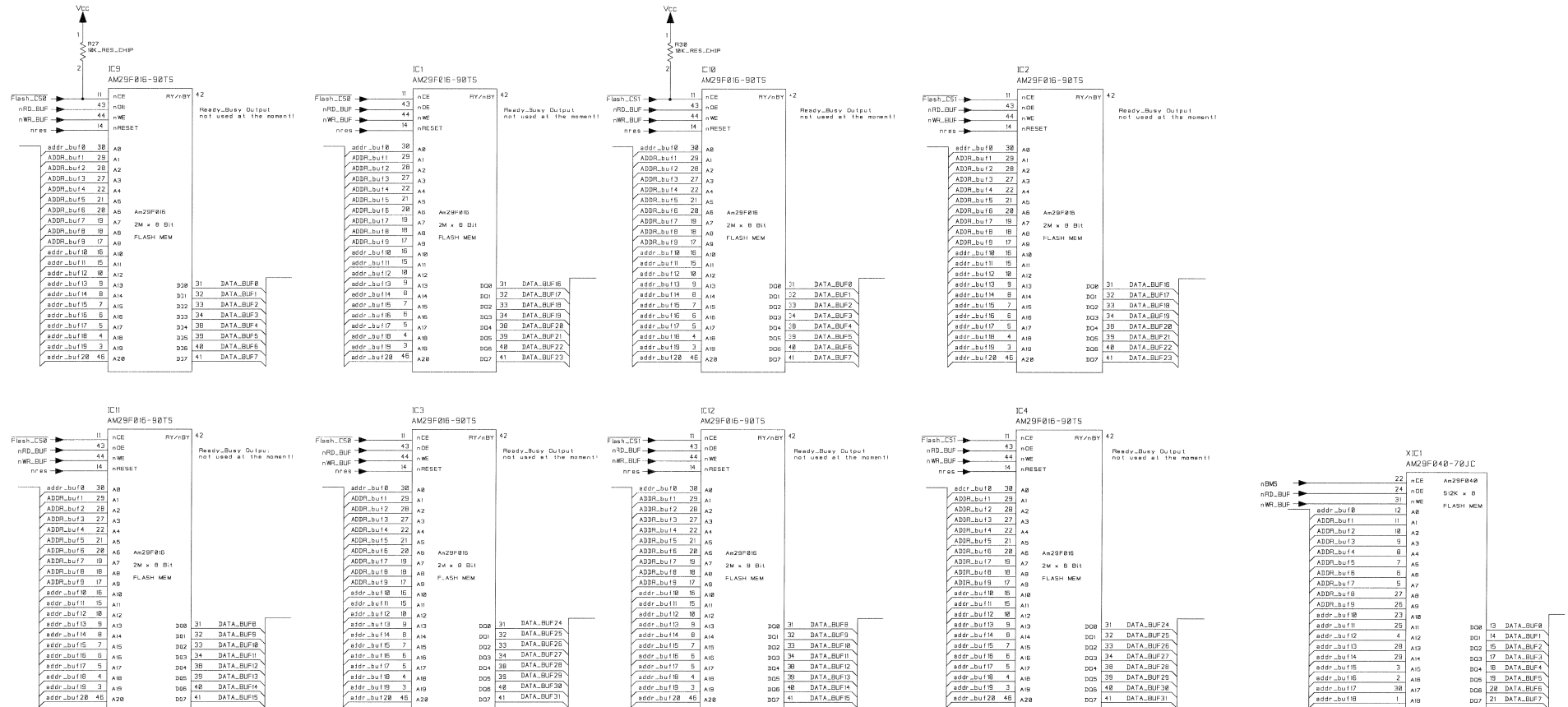
RS_232_Sheet1



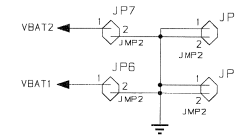
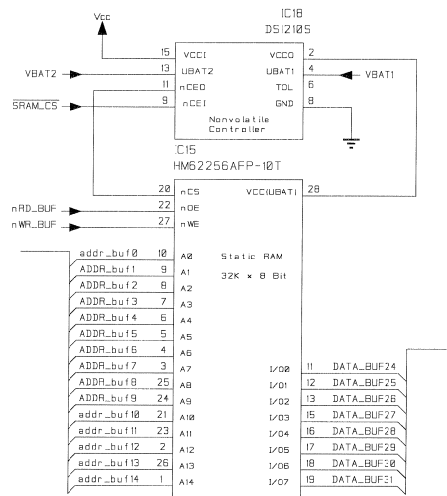
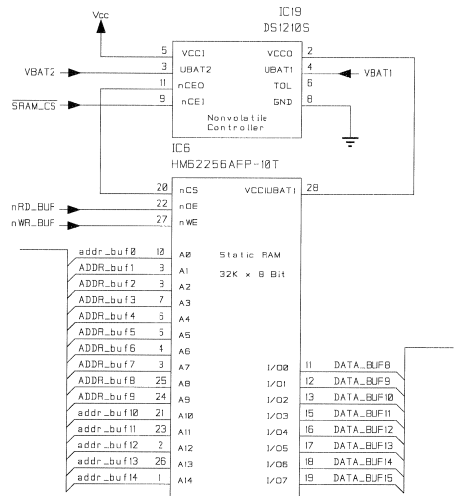
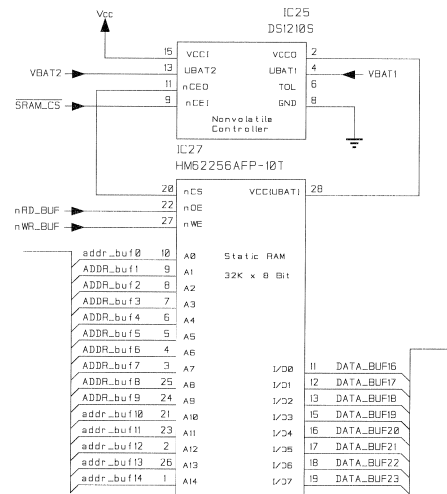
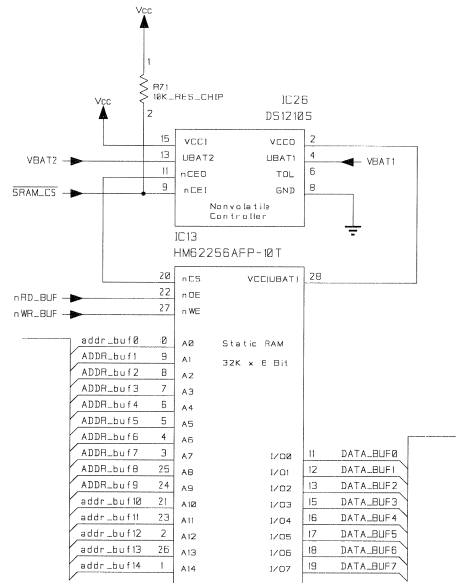
The ring connection doesn't make sense with a PC. Only connected for use with a modem over a nullmodem adaptor.

female connector pinout like a Modem connect without nullmodem to PC Hardware!

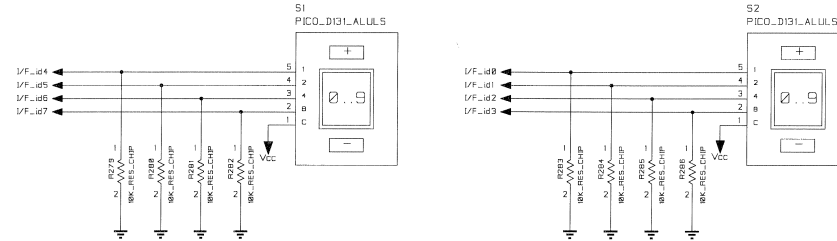
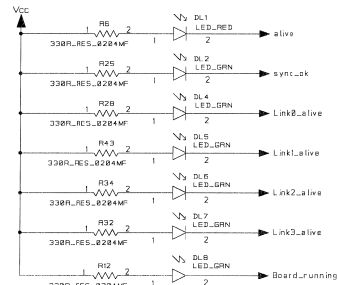
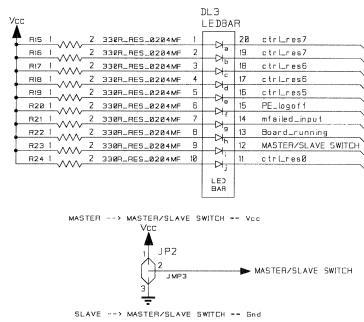
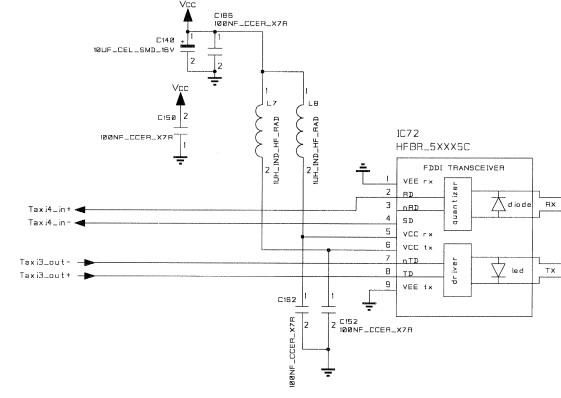
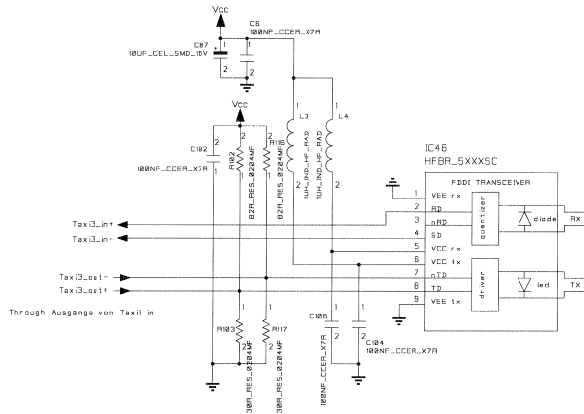
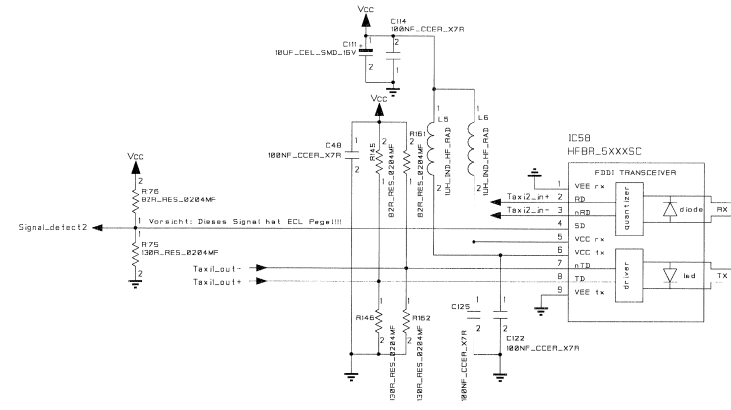
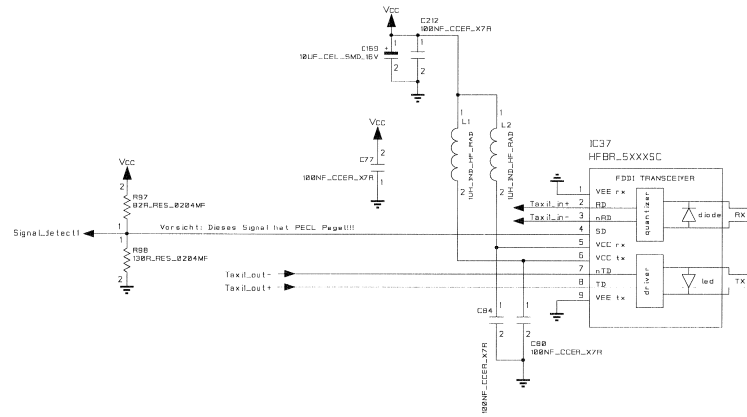
MADI Board 96k 1.950.616.20 (0), MEMNET Board 96k 1.950.621.20 (0)



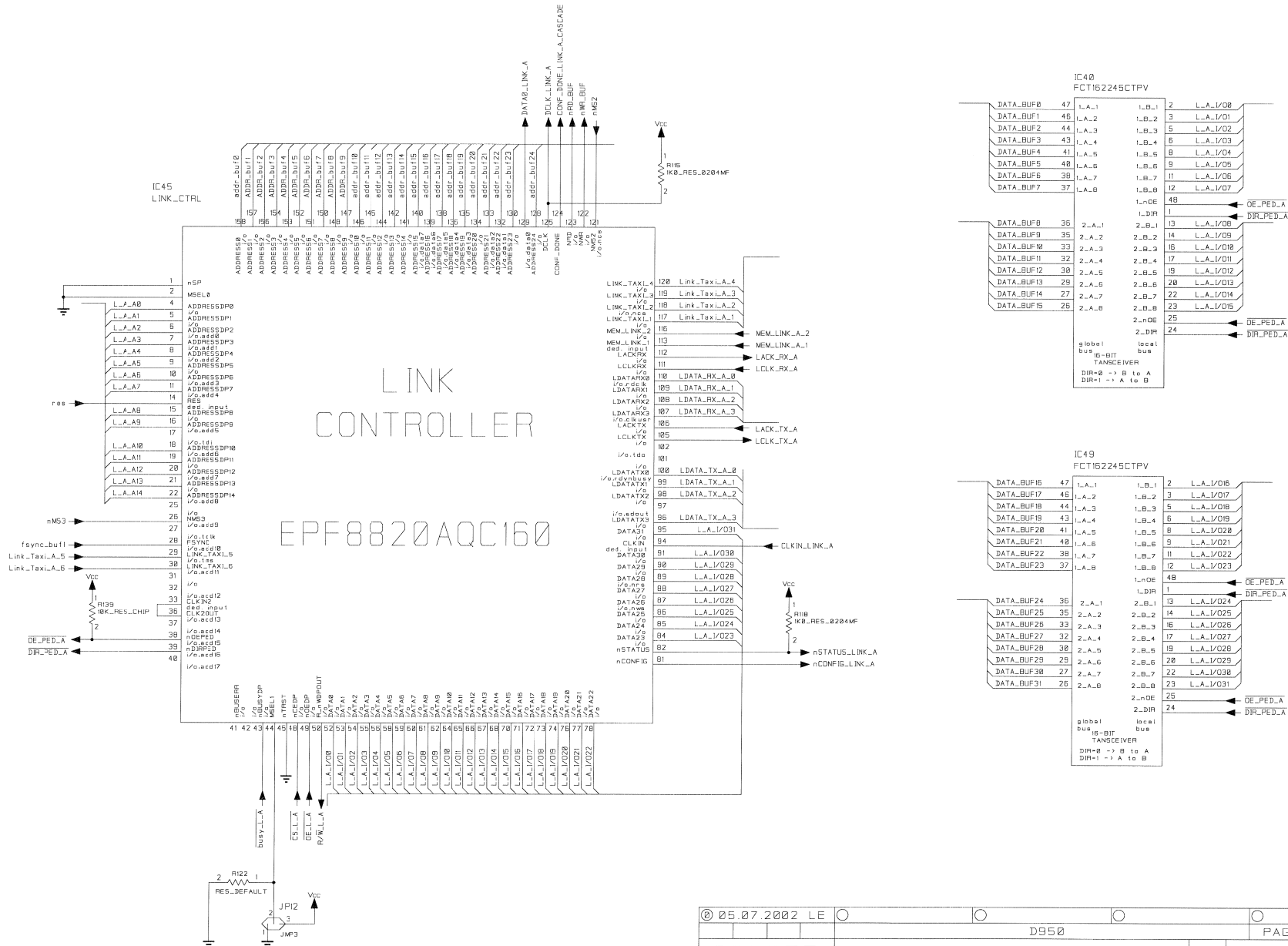
MADI Board 96k 1.950.616.20 (0), MEMNET Board 96k 1.950.621.20 (0)



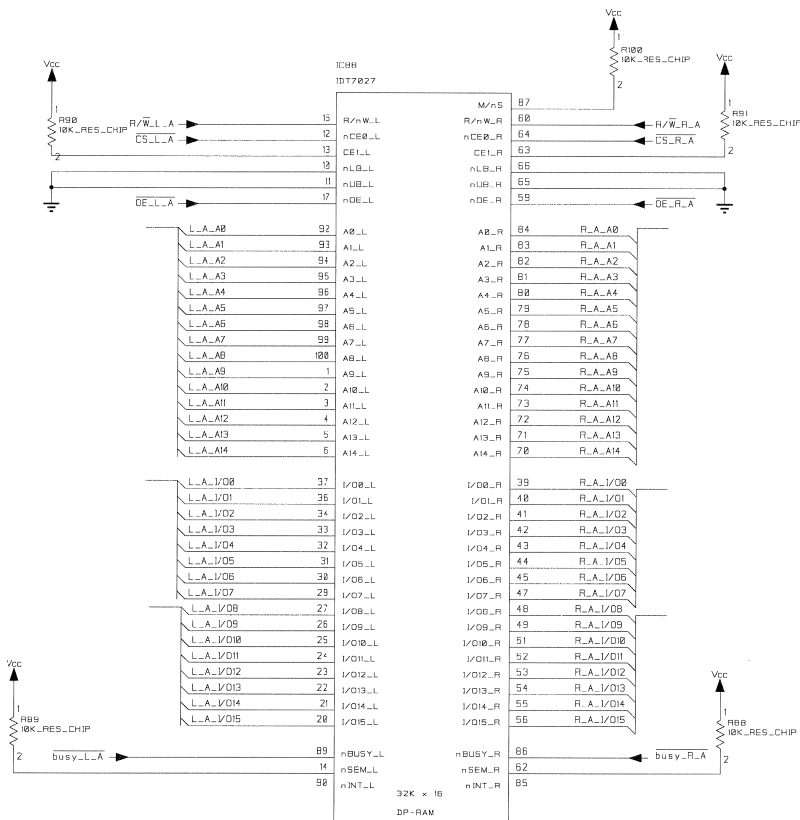
MADI Board 96k 1.950.616.20 (0), MEMNET Board 96k 1.950.621.20 (0)



MADI Board 96k 1.950.616.20 (0), MEMNET Board 96k 1.950.621.20 (0)

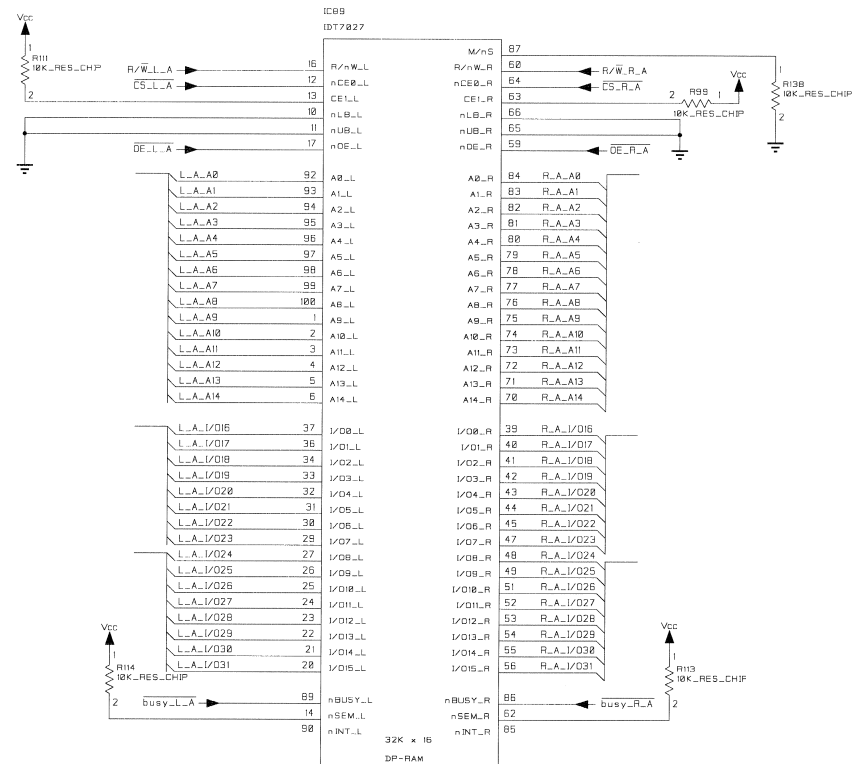


MADI Board 96k 1.950.616.20 (0), MEMNET Board 96k 1.950.621.20 (0)



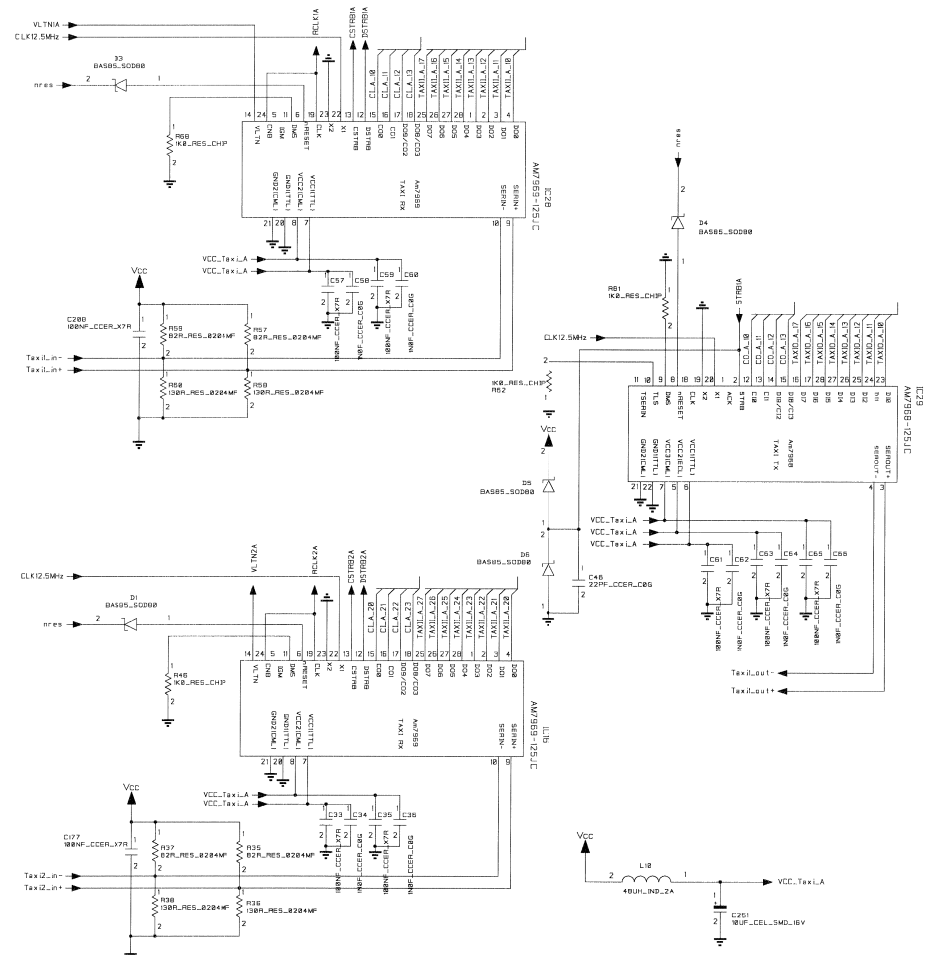
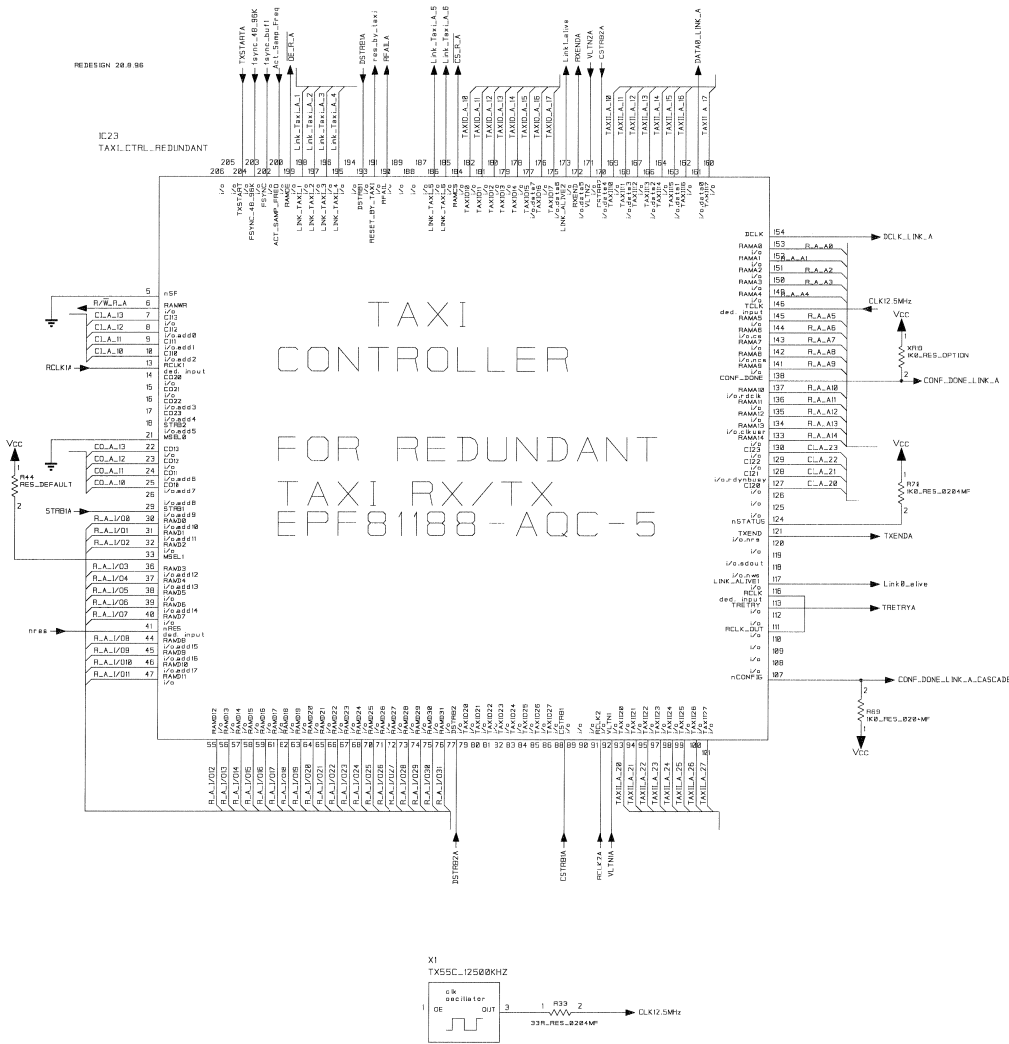
Master

DPRAM 32KB x 32

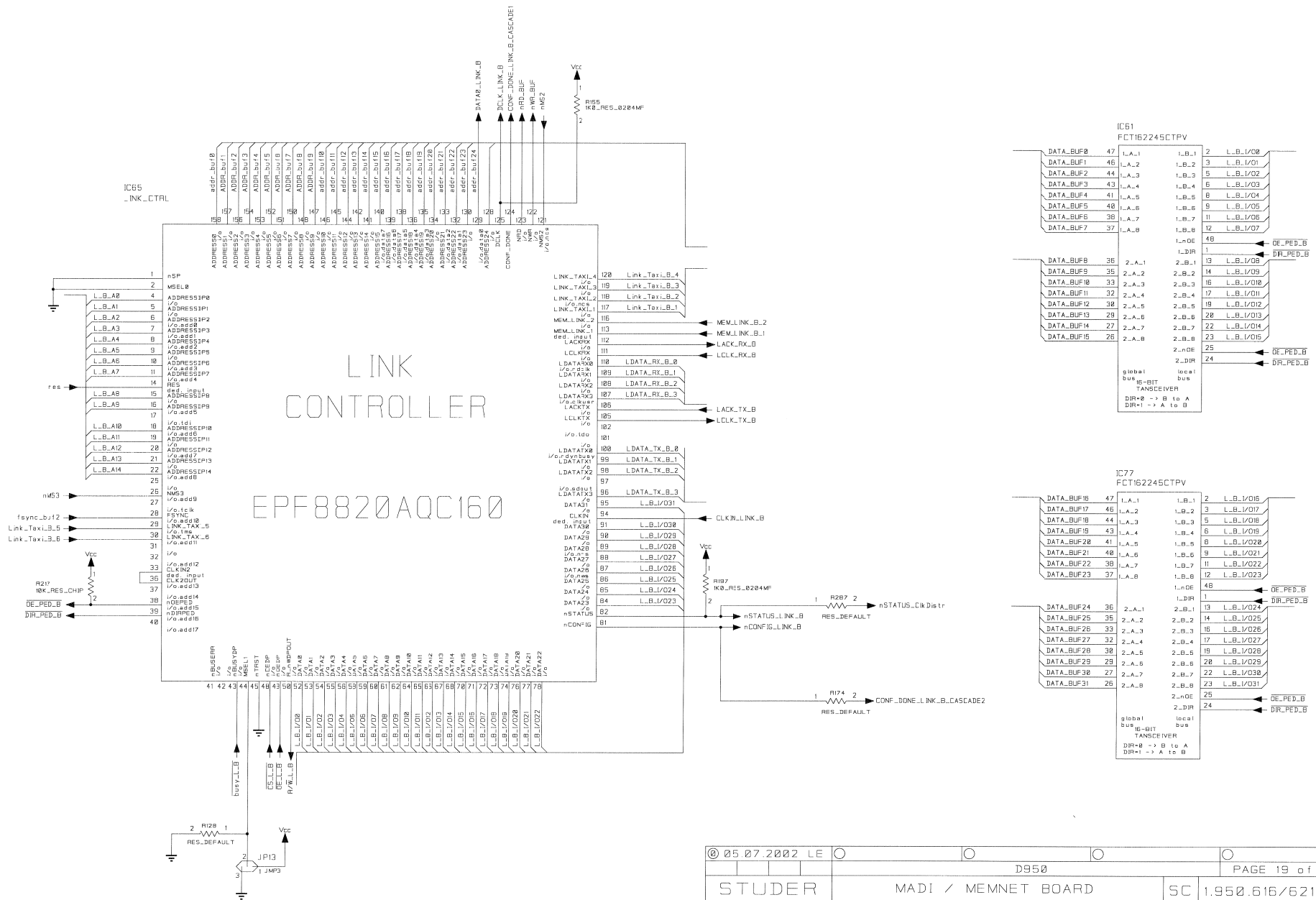


Slave

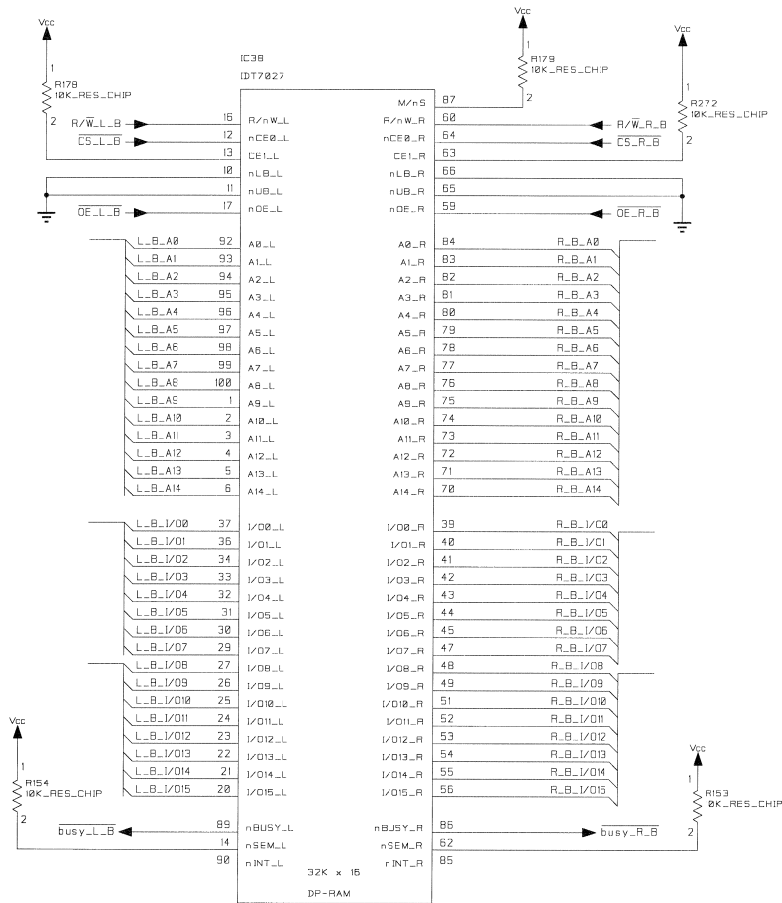
MADI Board 96k 1.950.616.20 (0), MEMNET Board 96k 1.950.621.20 (0)



MADI Board 96k 1.950.616.20 (0), MEMNET Board 96k 1.950.621.20 (0)

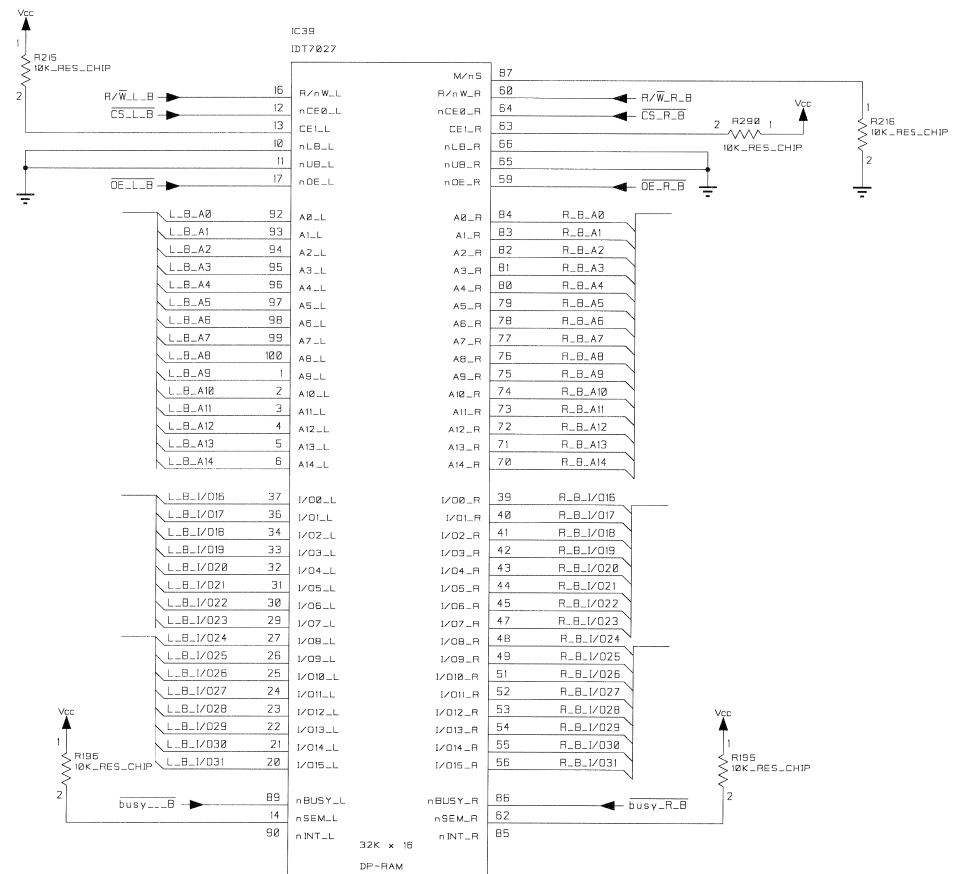


MADI Board 96k 1.950.616.20 (0), MEMNET Board 96k 1.950.621.20 (0)



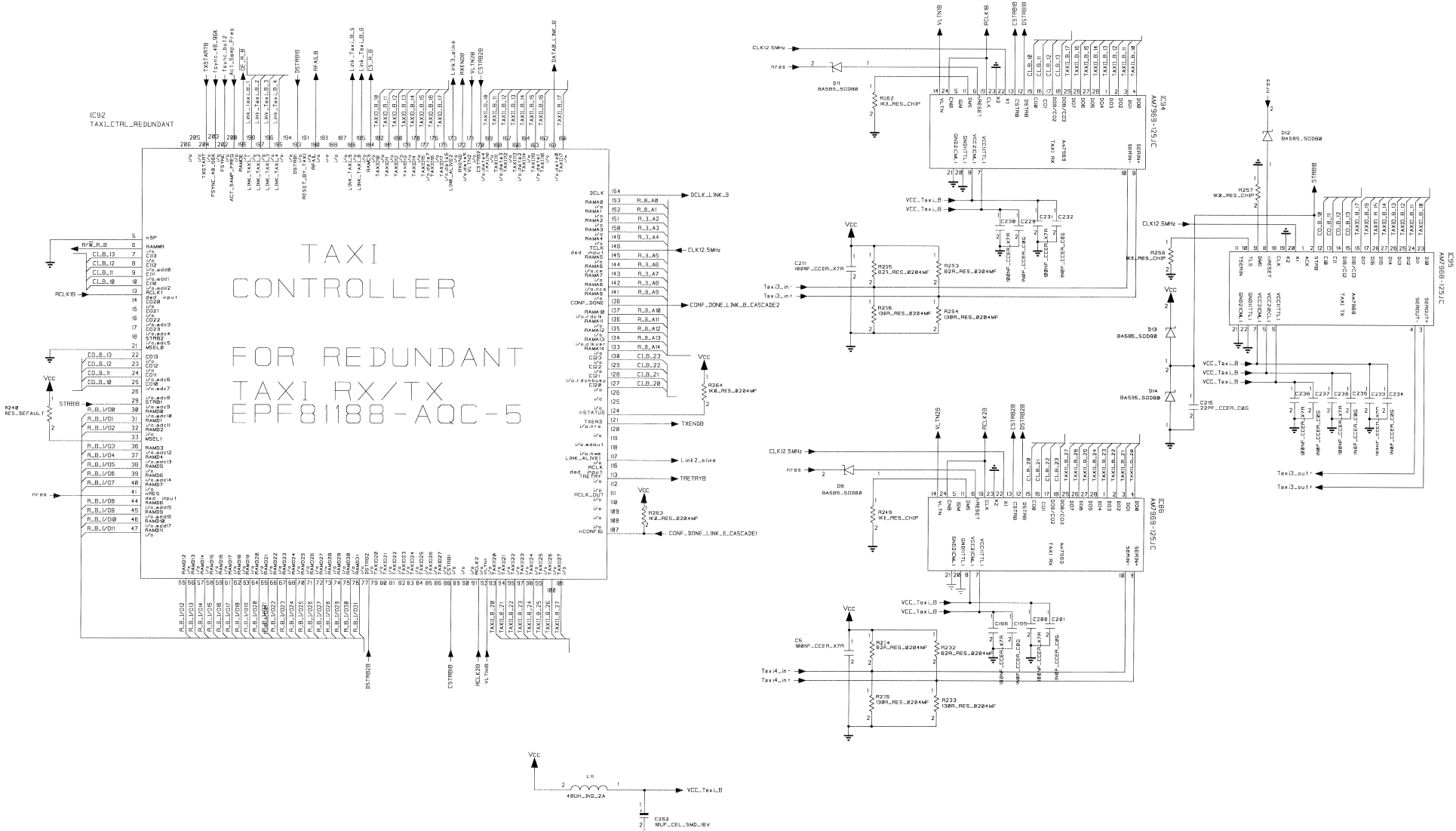
Master

DPRAM 32KB x 32



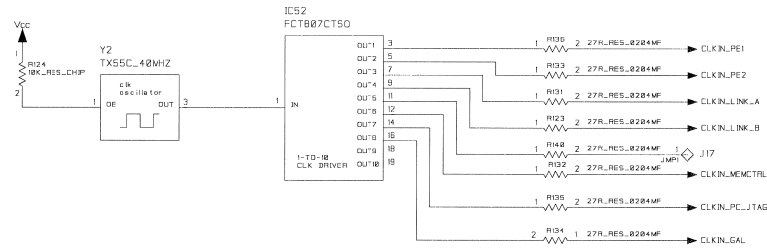
Slave

MADI Board 96k 1.950.616.20 (0), MEMNET Board 96k 1.950.621.20 (0)



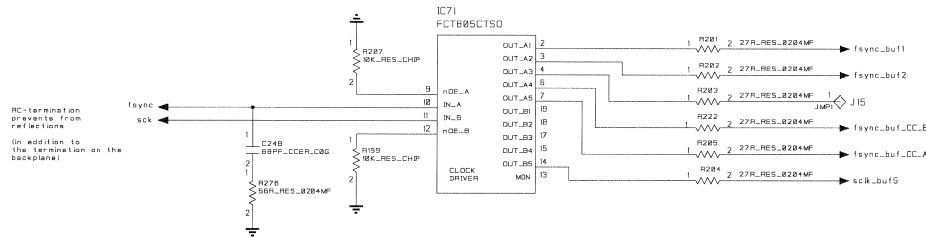
MADI Board 96k 1.950.616.20 (0), MEMNET Board 96k 1.950.621.20 (0)

CLKIN_PE[1]

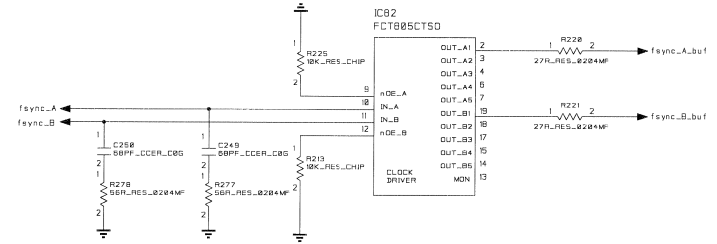
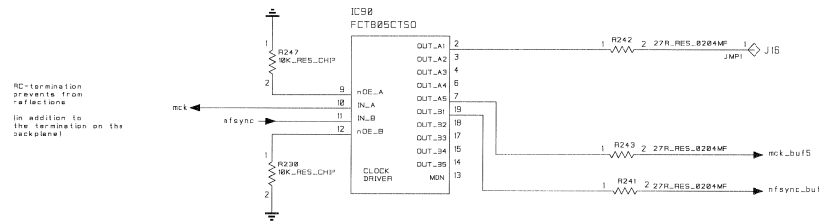


FSYNC

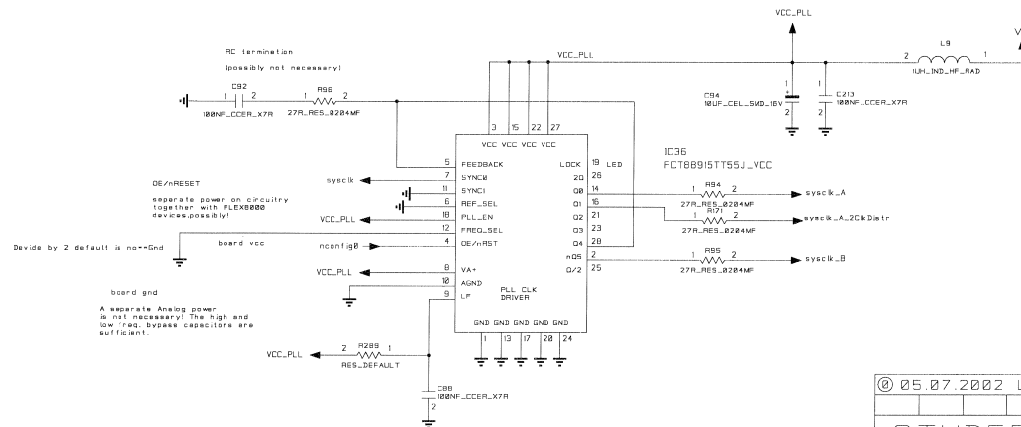
SCLK



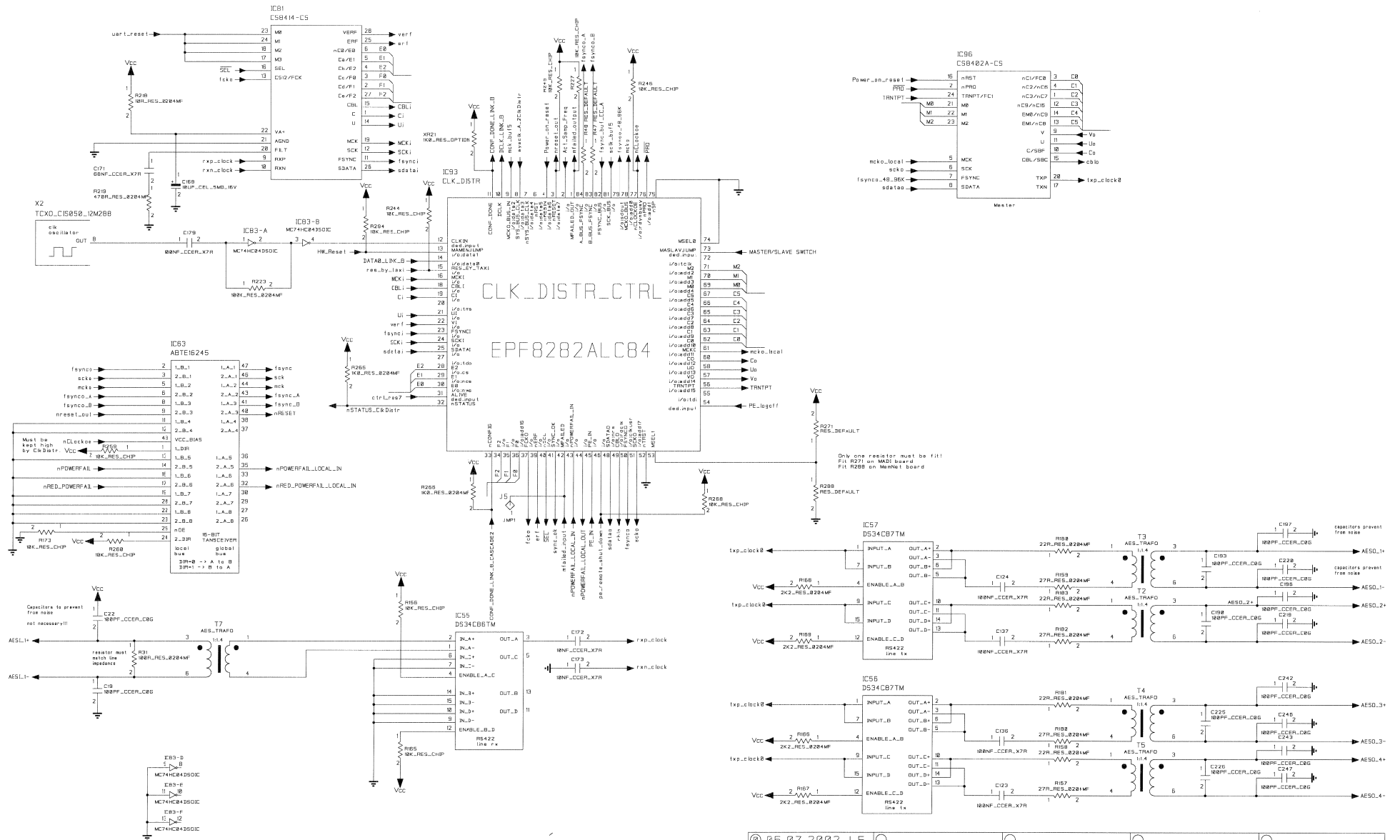
MCK



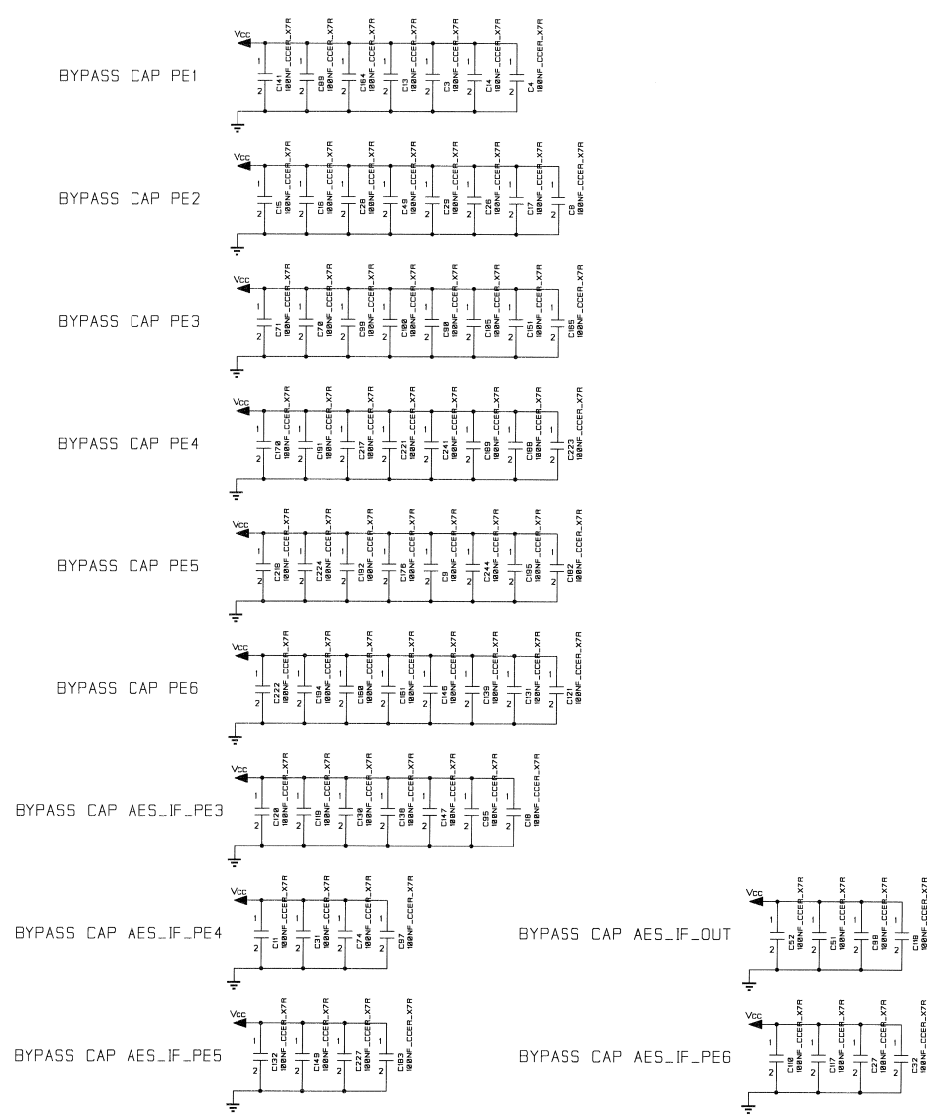
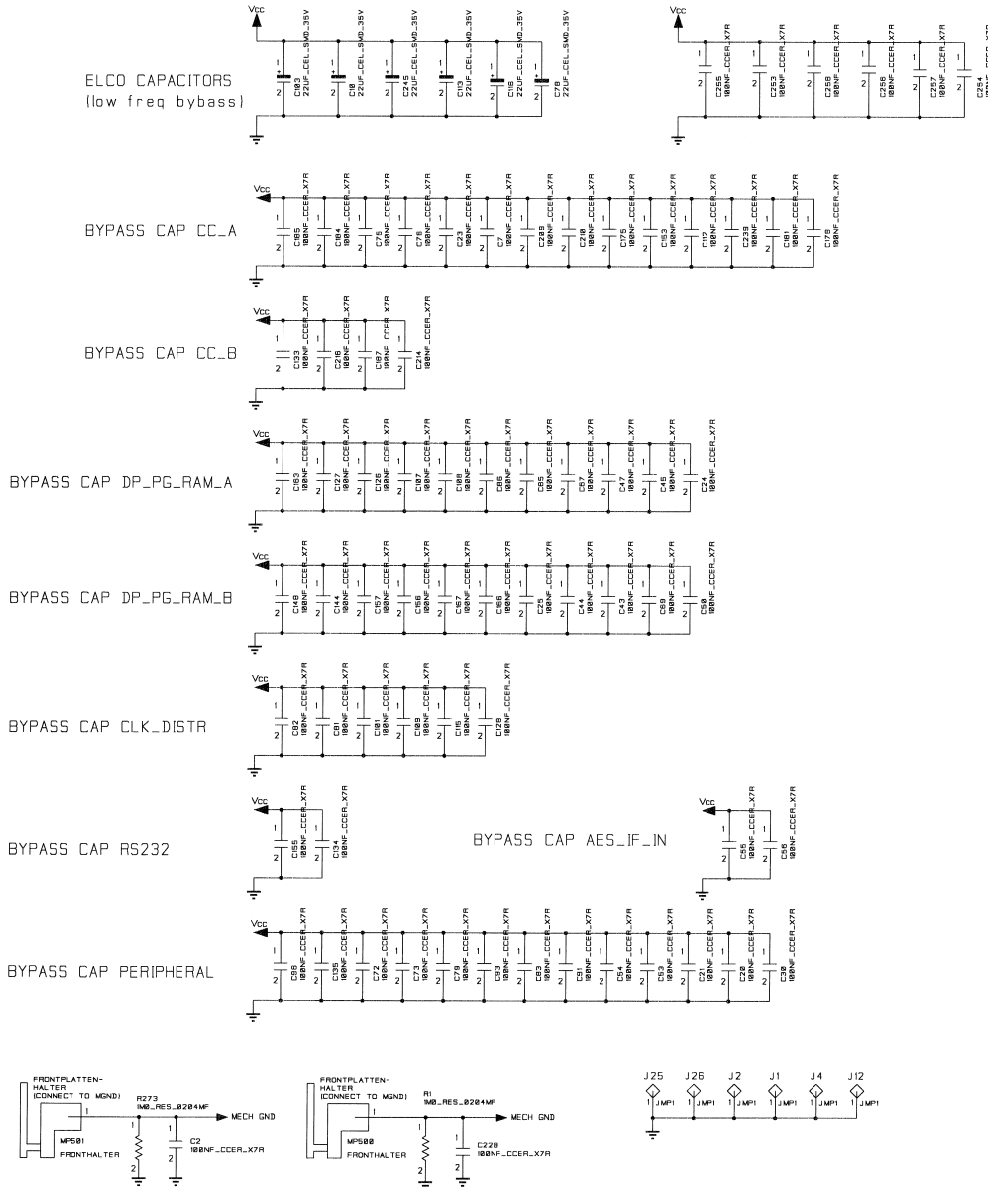
CC_CLK_A/B



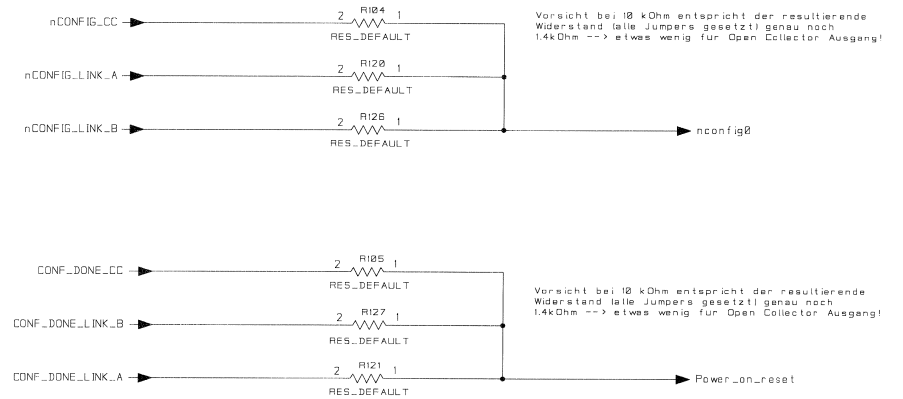
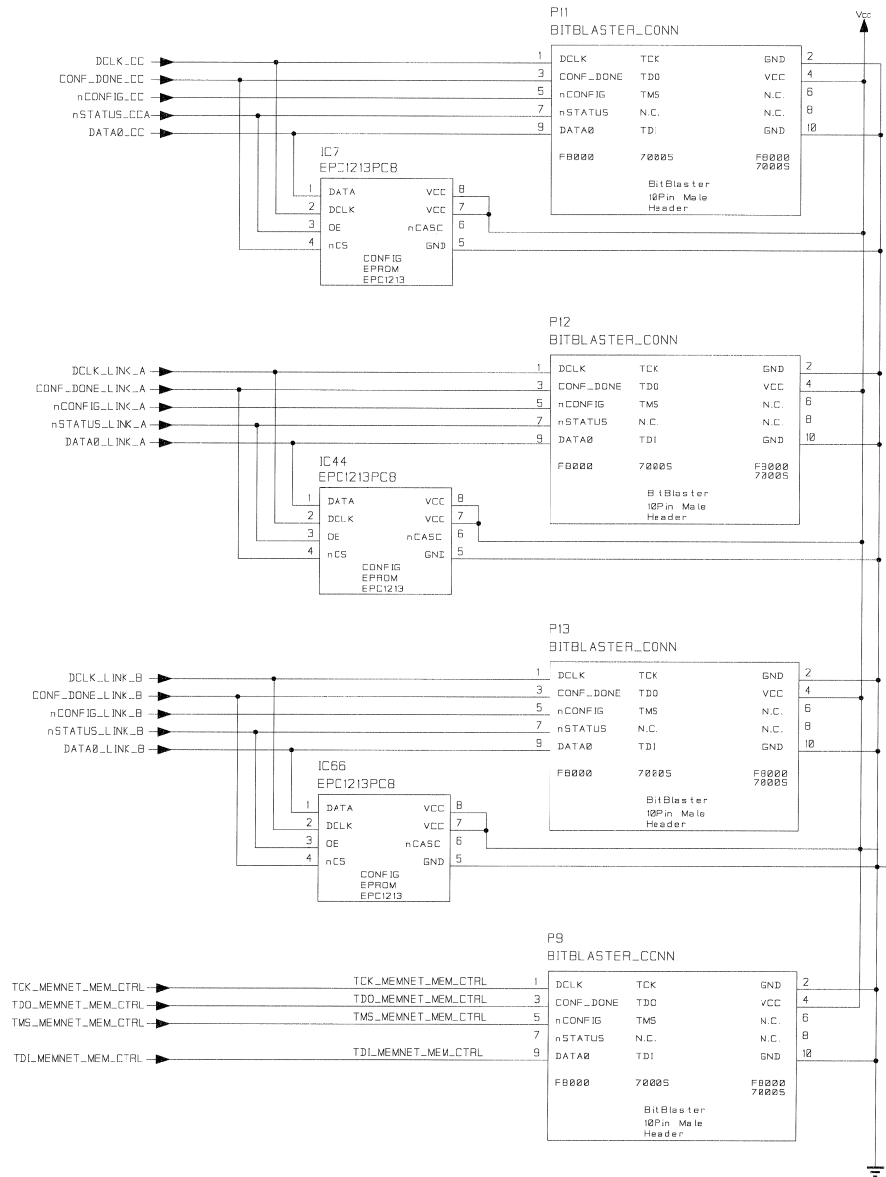
MADI Board 96k 1.950.616.20 (0), MEMNET Board 96k 1.950.621.20 (0)



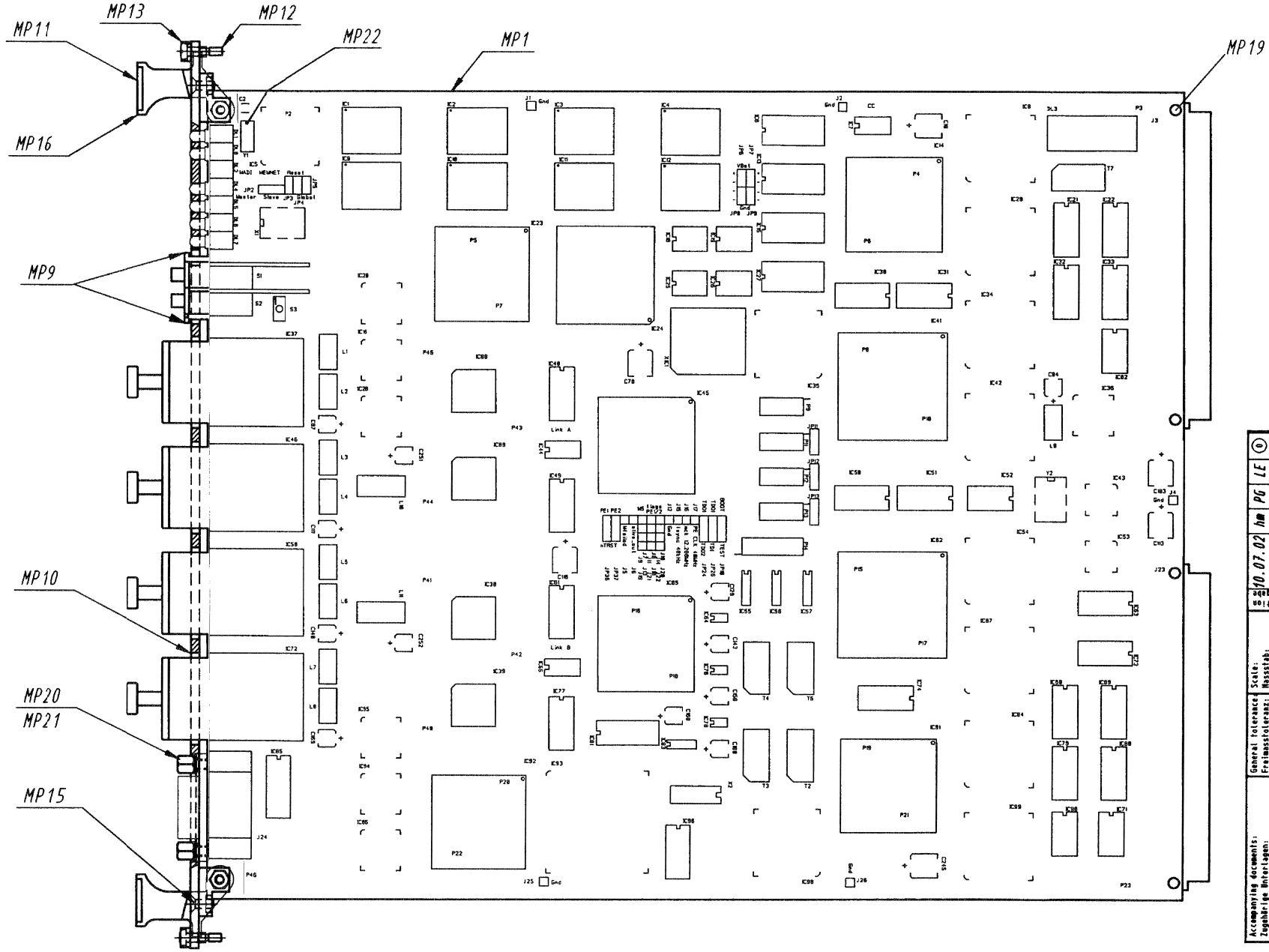
MADI Board 96k 1.950.616.20 (0), MEMNET Board 96k 1.950.621.20 (0)



MADI Board 96k 1.950.616.20 (0), MEMNET Board 96k 1.950.621.20 (0)

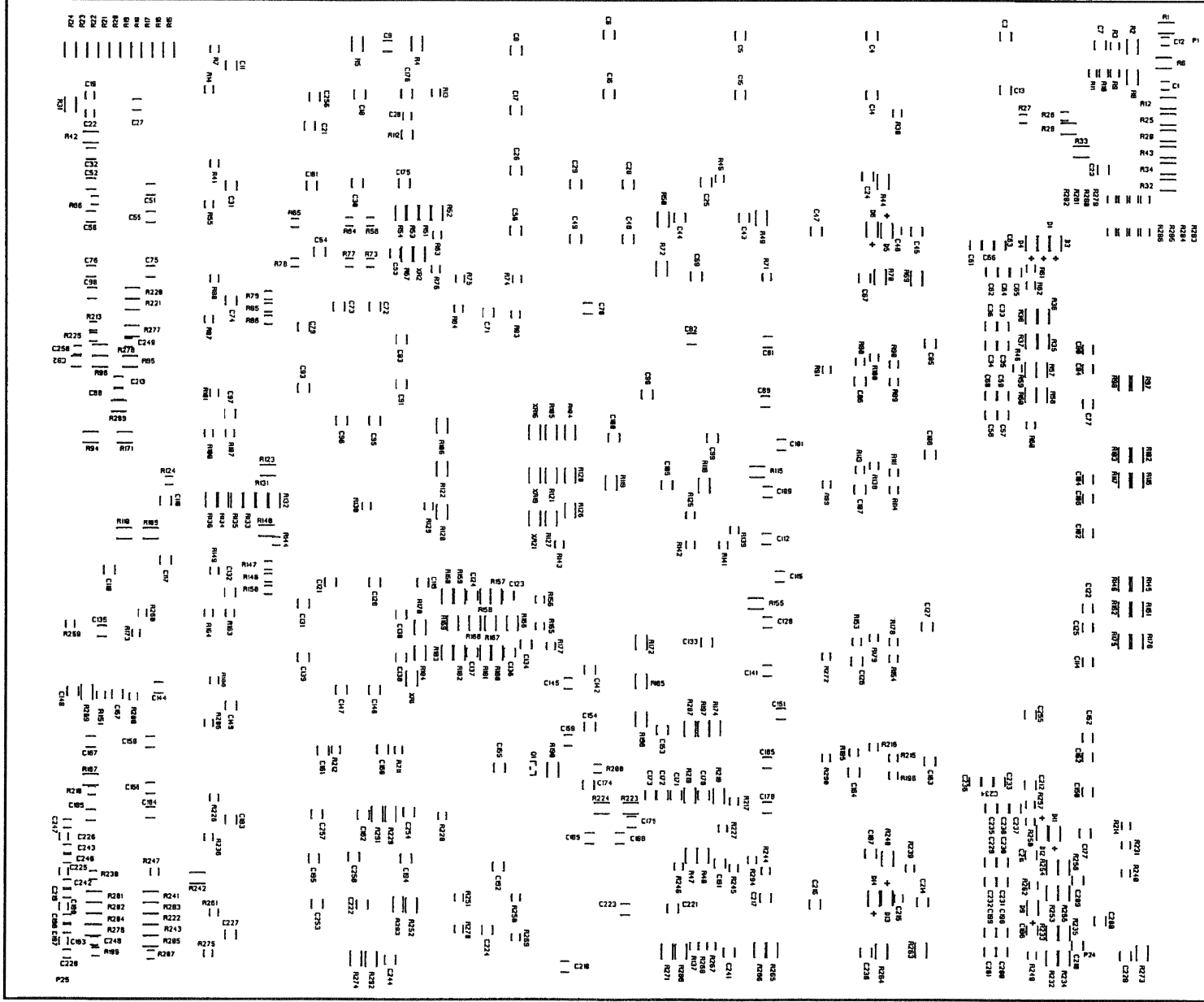


MADI Board 96k 1.950.616.20 (0) (Component Side)



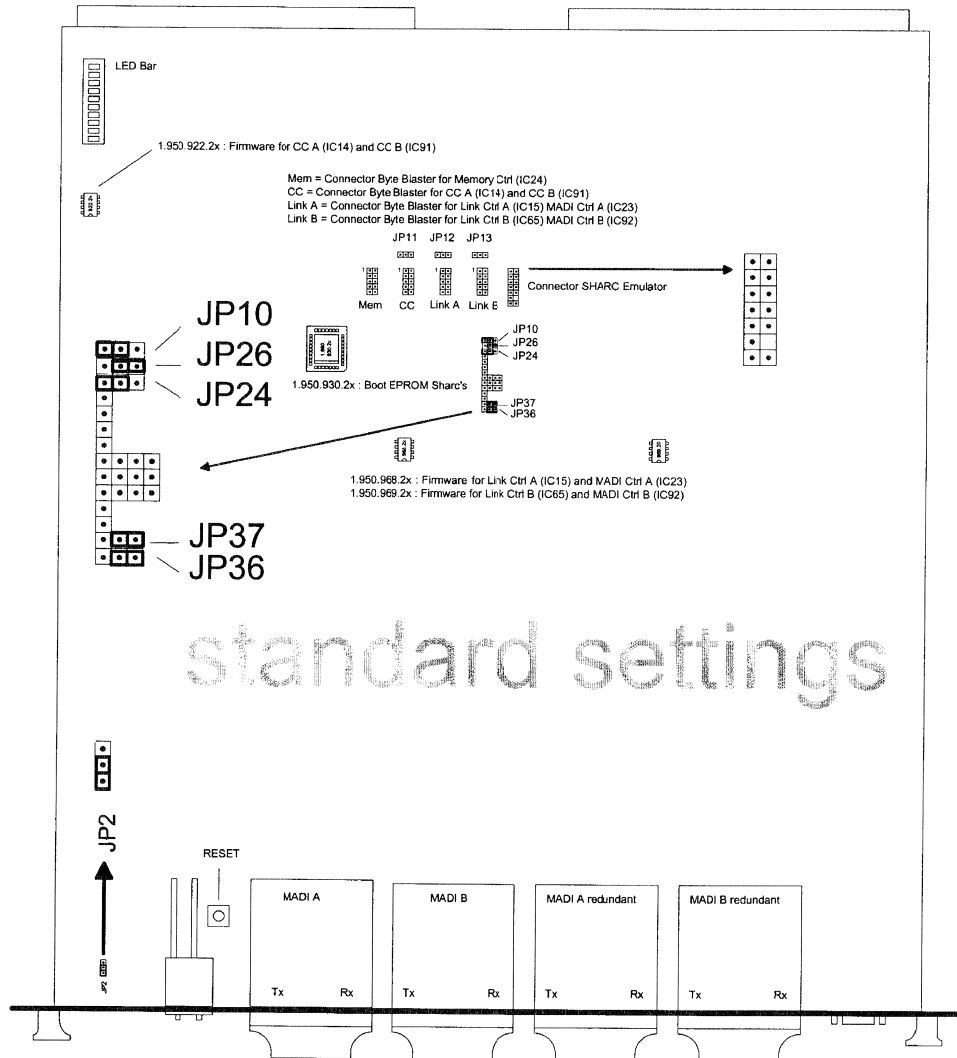
Accompanying documents: zugehörige Unterlagen: PL	General tolerance scale: Maßstab: + / -	Date: 10.07.02	Drawn: hm	PG 1 E	Index: 1/3
	Replaced by: Ersetzt durch:	Original size: Originalmaß:	Size: 1:1	Checked: ✓	Index: 1/3
Substitute for: Ersetzt für:	Replaced by: Ersetzt durch:	Original size: Originalmaß:	Size: 1:1	Checked: ✓	Index: 1/3
REGENSDORF STUDDORF	Madi Board ESE	1.950.616-20	1.950.616-20	1.950.616-20	1.950.616-20

MADI Board 96k 1.950.616.20 (0) (Solder Side)



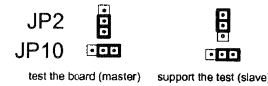
Accompanying documents: Zugehörige Unterlagen:		General tolerance: Freimasstoleranz:		Scale: Maßstab:		Date: Datum:		10.07.02		Am		PG		1 E	
PI		+		
Substitute for: Ersetzt für:		Replaced by: Ersetzt durch:		Original Size: Originalformat:		Date: Datum:		10.07.02		Am		PG		1 E	
STUDER REGENSDORF		Madi Board ESE		1.950.616-20		Page: Seite:		2/3		.		.		.	

MADI Board 96k 1.950.616.20 (0) (Jumper Setting)

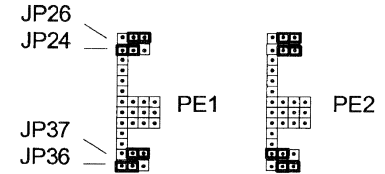


Settings for lab use

Jumper settings for the board test



Jumper settings using the Emulator



Jumper settings Byte Blaster

If you want to program the Altera with the Byte Blaster, you first have to remove the corresponding resistor (R106 for the CC, R122 Link A, R128 Link B)



Accompanying documents: Zugehörige Unterlagen: PL	General tolerance: Freimasstoleranz: ±	Scale: Maßstab: ./.	Edition Ausgabe 10.07.02	hm	PG	LE	Ⓢ
Substitute for: Ersatz für:	Replaced by: Ersetzt durch:	Original Size: Originalformat:	Date Datum	Visa Gez.	Checked Gepr.	Seen Ges.	Index
STUDER REGENSDORF			Description: Bezeichnung: Madi Board ESE				Number: Nummer: 1.950.616-20
						Page: Seite: 3/3	

MADI Board 96k 1.950.616.20 (0)

Idx. Pos.	Part No.	Qty.	Type/Val.	Description	Idx. Pos.	Part No.	Qty.	Type/Val.	Description
0 C 182	59.60.3337	100n		CER 50V, 10%, X7R, 0805	0 DL 8	50.04.2751		grn	LED mit Halter
0 C 183	59.60.3337	100n		CER 50V, 10%, X7R, 0805	0 IC 1	not used		29F016	Flash Memory 2M*8
0 C 184	59.60.3337	100n		CER 50V, 10%, X7R, 0805	0 IC 2	not used		29F016	Flash Memory 2M*8
0 C 185	59.60.3337	100n		CER 50V, 10%, X7R, 0805	0 IC 3	not used		29F016	Flash Memory 2M*8
0 C 186	59.60.3337	100n		CER 50V, 10%, X7R, 0805	0 IC 4	not used		29F016	Flash Memory 2M*8
0 C 187	59.60.3337	100n		CER 50V, 10%, X7R, 0805	0 IC 5	50.63.0203		TL16C550	UART
0 C 188	59.60.3337	100n		CER 50V, 10%, X7R, 0805	0 IC 6	not used		62256	SRAM 32K*8, 100ns
0 C 189	59.60.3337	100n		CER 50V, 10%, X7R, 0805	0 IC 7	1.950.922.22			SW 605/615 CC (50.63.4298)
0 C 190	not used	100p		CER 50V, 5%, COG, 0603	0 IC 8	50.63.1506		IDT7014	Dualport SRAM, 4K*9
0 C 191	59.60.3337	100n		CER 50V, 10%, X7R, 0805	0 IC 9	not used		29F016	Flash Memory 2M*8
0 C 192	59.60.3337	100n		CER 50V, 10%, X7R, 0805	0 IC 10	not used		29F016	Flash Memory 2M*8
0 C 193	not used	100p		CER 50V, 5%, COG, 0603	0 IC 11	not used		29F016	Flash Memory 2M*8
0 C 194	59.60.3337	100n		CER 50V, 10%, X7R, 0805	0 IC 12	not used		29F016	Flash Memory 2M*8
0 C 195	59.60.3337	100n		CER 50V, 10%, X7R, 0805	0 IC 13	not used		62256	SRAM 32K*8, 100ns
0 C 196	not used	100p		CER 50V, 5%, COG, 0603	0 IC 14	50.63.4207		EPF8820R	EPLD 8000 QFP208
0 C 197	not used	100p		CER 50V, 5%, COG, 0603	0 IC 15	not used		62256	SRAM 32K*8, 100ns
0 C 198	59.60.3337	100n		CER 50V, 10%, X7R, 0805	0 IC 16	50.63.0205		AM7969	TAXI Chip Receiver
0 C 199	59.60.2373	1n0		CER 50V, 5%, COG, 0805	0 IC 18	not used		DS1210	Backup-Battery Manager
0 C 200	59.60.3337	100n		CER 50V, 10%, X7R, 0805	0 IC 19	not used		DS1210	Backup-Battery Manager
0 C 201	59.60.2373	1n0		CER 50V, 5%, COG, 0805	0 IC 20	50.63.1506		IDT7014	Dualport SRAM, 4K*9
0 C 208	59.60.3337	100n		CER 50V, 10%, X7R, 0805	0 IC 21	50.62.6974		74FCT162374	16bit Bus Latches
0 C 209	59.60.3337	100n		CER 50V, 10%, X7R, 0805	0 IC 22	50.62.6745		74ABTE16245	16bit Bus-Driver
0 C 210	59.60.3337	100n		CER 50V, 10%, X7R, 0805	0 IC 23	50.63.4208		EPF81188	EPLD 12000 QFP208
0 C 211	59.60.3337	100n		CER 50V, 10%, X7R, 0805	0 IC 24	1.950.967.20			SW 616 MEMCTRL (50.63.4206)
0 C 212	59.60.3337	100n		CER 50V, 10%, X7R, 0805	0 IC 25	not used		DS1210	Backup-Battery Manager
0 C 213	59.60.3337	100n		CER 50V, 10%, X7R, 0805	0 IC 26	not used		DS1210	Backup-Battery Manager
0 C 214	59.60.3337	100n		CER 50V, 10%, X7R, 0805	0 IC 27	not used		62256	SRAM 32K*8, 100ns
0 C 215	59.60.2233	22p		CER 50V, 5%, COG, 0603	0 IC 28	50.63.0205		AM7969	TAXI Chip Receiver
0 C 216	59.60.3337	100n		CER 50V, 10%, X7R, 0805	0 IC 29	50.63.0204		AM7968	TAXI Chip Transmitter
0 C 217	59.60.3337	100n		CER 50V, 10%, X7R, 0805	0 IC 30	50.62.6946		74FCT162245	16bit Bus-Driver, tri
0 C 218	59.60.3337	100n		CER 50V, 10%, X7R, 0805	0 IC 31	50.62.6946		74FCT162245	16bit Bus-Driver, tri
0 C 219	not used	100p		CER 50V, 5%, COG, 0603	0 IC 32	50.62.6974		74FCT162245	16bit Bus Latches
0 C 220	not used	100p		CER 50V, 5%, COG, 0603	0 IC 33	50.62.6745		74ABTE16245	16bit Bus-Driver
0 C 221	59.60.3337	100n		CER 50V, 10%, X7R, 0805	0 IC 34	50.63.1506		IDT7014	Dualport SRAM, 4K*9
0 C 222	59.60.3337	100n		CER 50V, 10%, X7R, 0805	0 IC 35	50.63.1506		IDT7014	Dualport SRAM, 4K*9
0 C 223	59.60.3337	100n		CER 50V, 10%, X7R, 0805	0 IC 36	50.62.6915		74FCT88915	Clock-Driver
0 C 224	59.60.3337	100n		CER 50V, 10%, X7R, 0805	0 IC 37	89.10.0021		HFBR5103	LWL Transceiver FDDI/MADI
0 C 225	not used	100p		CER 50V, 5%, COG, 0603	0 IC 38	50.63.1704		CY7C027	Dualport RAM, 32K*16
0 C 226	not used	100p		CER 50V, 5%, COG, 0603	0 IC 39	50.63.1704		CY7C027	Dualport RAM, 32K*16
0 C 227	59.60.3337	100n		CER 50V, 10%, X7R, 0805	0 IC 40	50.62.6946		74FCT162245	16bit Bus-Driver, tri
0 C 228	59.60.3337	100n		CER 50V, 10%, X7R, 0805	0 IC 41	50.63.0408		ADSP21062	32bit DSP
0 C 229	59.60.2373	1n0		CER 50V, 5%, COG, 0805	0 IC 42	50.63.1506		IDT7014	Dualport SRAM, 4K*9
0 C 230	59.60.3337	100n		CER 50V, 10%, X7R, 0805	0 IC 43	1.950.920.20			SW 605/101 GAL A (50.63.3002)
0 C 231	59.60.3337	100n		CER 50V, 10%, X7R, 0805	0 IC 44	1.950.968.20			SW 616 LINK A (50.63.4298)
0 C 232	59.60.2373	1n0		CER 50V, 5%, COG, 0805	0 IC 45	50.63.4209		EPF8820Q	EPLD 8000 QFP160
0 C 233	59.60.3337	100n		CER 50V, 10%, X7R, 0805	0 IC 46	89.10.0021		HFBR5103	LWL Transceiver FDDI/MADI
0 C 234	59.60.2373	1n0		CER 50V, 5%, COG, 0805	0 IC 49	50.62.6946		74FCT162245	16bit Bus-Driver, tri
0 C 235	59.60.2373	1n0		CER 50V, 5%, COG, 0805	0 IC 50	50.62.6946		74FCT162245	16bit Bus-Driver, tri
0 C 236	59.60.3337	100n		CER 50V, 10%, X7R, 0805	0 IC 51	50.62.6946		74FCT162245	16bit Bus-Driver, tri
0 C 237	59.60.2373	1n0		CER 50V, 5%, COG, 0805	0 IC 52	50.62.6907		74FCT807	Share Clock-Driver
0 C 238	59.60.3337	100n		CER 50V, 10%, X7R, 0805	0 IC 53	1.950.921.20			SW 605/615 GAL B (50.63.3002)
0 C 239	59.60.3337	100n		CER 50V, 10%, X7R, 0805	0 IC 54	50.63.1506		IDT7014	Dualport SRAM, 4K*9
0 C 241	59.60.3337	100n		CER 50V, 10%, X7R, 0805	0 IC 55	not used		DS34C86	4*RS 422 Line Receiver
0 C 242	not used	100p		CER 50V, 5%, COG, 0603	0 IC 56	not used		DS34C87	4*RS 422 Line Driver
0 C 243	not used	100p		CER 50V, 5%, COG, 0603	0 IC 57	not used		DS34C87	4*RS 422 Line Driver
0 C 244	59.60.3337	100n		CER 50V, 10%, X7R, 0805	0 IC 58	89.10.0021		HFBR5103	LWL Transceiver FDDI/MADI
0 C 245	59.68.0111	22u		EL 35V, 6.3*5.7	0 IC 61	50.62.6946		74FCT162245	16bit Bus-Driver, tri
0 C 246	not used	100p		CER 50V, 5%, COG, 0603	0 IC 62	50.63.0408		ADSP21062	32bit DSP
0 C 247	not used	100p		CER 50V, 5%, COG, 0603	0 IC 63	not used		74ABTE16245	16bit Bus-Driver
0 C 248	not used	68p		CER 50V, 5%, COG, 0603	0 IC 64	50.63.2001		7705B	Reset Generator
0 C 249	not used	68p		CER 50V, 5%, COG, 0603	0 IC 65	50.63.4209		EPF8820Q	EPLD 8000 QFP160
0 C 250	not used	68p		CER 50V, 5%, COG, 0603	0 IC 66	1.950.969.20			SW 616 LINK B (50.63.4298)
0 C 251	59.68.0065	10u		EL 16V, 4.0*5.7	0 IC 67	50.63.1506		IDT7014	Dualport SRAM, 4K*9
0 C 252	59.68.0065	10u		EL 16V, 4.0*5.7	0 IC 68	50.62.6974		74FCT162374	16bit Bus Latches
0 C 253	59.60.3337	100n		CER 50V, 10%, X7R, 0805	0 IC 69	50.62.6745		74ABTE16245	16bit Bus-Driver
0 C 254	59.60.3337	100n		CER 50V, 10%, X7R, 0805	0 IC 70	50.63.2001		7705B	Reset Generator
0 C 255	59.60.3337	100n		CER 50V, 10%, X7R, 0805	0 IC 71	50.62.6905		49FCT805	Dual Clock-Driver
0 C 256	59.60.3337	100n		CER 50V, 10%, X7R, 0805	0 IC 72	89.10.0021		HFBR5103	LWL Transceiver FDDI/MADI
0 C 257	59.60.3337	100n		CER 50V, 10%, X7R, 0805	0 IC 73	50.62.6746		74ABTE16246	16bit Bus-Driver o.c.
0 C 258	59.60.3337	100n		CER 50V, 10%, X7R, 0805	0 IC 74	50.62.6946		74FCT162245	16bit Bus-Driver, tri
0 D 1	50.60.8101	BAS85		200mA 30V Schottky SOD 80	0 IC 77	50.62.6946		74FCT162245	16bit Bus-Driver, tri
0 D 3	50.60.8101	BAS85		200mA 30V Schottky SOD 80	0 IC 78	50.63.2001		7705B	Reset Generator
0 D 4	50.60.8101	BAS85		200mA 30V Schottky SOD 80	0 IC 79	50.62.6974		74FCT162374	16bit Bus Latches
0 D 5	50.60.8101	BAS85		200mA 30V Schottky SOD 80	0 IC 80	50.62.6745		74ABTE16245	16bit Bus-Driver
0 D 6	50.60.8101	BAS85		200mA 30V Schottky SOD 80	0 IC 81	not used		CS8414	Digital Audio Receiver 96kHz
0 D 9	50.60.8101	BAS85		200mA 30V Schottky SOD 80	0 IC 82	50.62.6905		49FCT805	Dual Clock-Driver
0 D 11	50.60.8101	BAS85		200mA 30V Schottky SOD 80	0 IC 83	50.62.1004		74HC 04	Hex inverter
0 D 12	50.60.8101	BAS85		200mA 30V Schottky SOD 80	0 IC 84	50.63.1506		IDT7014	Dualport SRAM, 4K*9
0 D 13	50.60.8101	BAS85		200mA 30V Schottky SOD 80	0 IC 85	50.62.0462		MAX 225	*RS 232 Driver/Receiver
0 D 14	50.60.8101	BAS85		200mA 30V Schottky SOD 80	0 IC 86	50.63.0205		AM7969	TAXI Chip Receiver
0 DL 1	50.04.2750	red		LED mit Halter	0 IC 88	50.63.1704		CY7C027	Dualport RAM, 32K*16
0 DL 2	not used	grn		LED mit Halter	0 IC 89	50.63.1704		CY7C027	Dualport RAM, 32K*16
0 DL 3	50.04.2811	10*grn		LED-Bargraph 10*green	0 IC 90	50.62.6905		49FCT805	Dual Clock-Driver
0 DL 4	50.04.2751	grn		LED mit Halter	0 IC 91	50.63.4207		EPF8820R	EPLD 8000 QFP208
0 DL 5	50.04.2751	grn		LED mit Halter	0 IC 92	50.63.4208		EPF81188	EPLD 12000 QFP208
0 DL 6	50.04.2751	grn		LED mit Halter	0 IC 93	50.63.4203		EPLD8282	EPLD 2500 PLCC84
0 DL 7	50.04.2751	grn		LED mit Halter	0 IC 94	50.63.0205		AM7969	TAXI Chip Receiver

MADI Board 96k 1.950.616.20 (0)

Idx. Pos.	Part No.	Qty.	Type/Val.	Description	Idx. Pos.	Part No.	Qty.	Type/Val.	Description
0	IC 95	50.63.0204	AM7968	TAXI Chip Transmitter	0	Q 1	50.60.0001	BC847B	NPN 45V 100mA SOT 23
0	IC 96	not used	CS8402A	Dig audio interface transmitt	0	R 1	57.60.1105	1M	MF, 1%, 0204, E24
0	IC 98	50.63.1506	IDT7014	Dualport SRAM, 4K*9	0	R 2	57.60.1105	1M	MF, 1%, 0204, E24
0	IC 99	50.63.1506	IDT7014	Dualport SRAM, 4K*9	0	R 3	57.69.1097	10k	CF 5% 0603
0	J 1	not used 1 pce	1p	Pin, 1reihtig, gerade	0	R 4	57.60.1102	1k0	MF, 1%, 0204, E24
0	J 2	not used 1 pce	1p	Pin, 1reihtig, gerade	0	R 5	57.60.1102	1k0	MF, 1%, 0204, E24
0	J 3	54.11.2009 1 pce	96p	EU-R 3*32p	0	R 6	57.60.1331	330R	MF, 1%, 0204, E24
0	J 4	not used 1 pce	1p	Pin, 1reihtig, gerade	0	R 7	57.69.1097	10k	CF 5% 0603
0	J 5	not used 1 pce	1p	Pin, 1reihtig, gerade	0	R 8	57.60.1152	1k5	MF, 1%, 0204, E24
0	J 6	not used 1 pce	1p	Pin, 1reihtig, gerade	0	R 9	57.69.1097	10k	CF 5% 0603
0	J 7	not used 1 pce	1p	Pin, 1reihtig, gerade	0	R 10	57.69.1097	10k	CF 5% 0603
0	J 8	not used 1 pce	1p	Pin, 1reihtig, gerade	0	R 11	57.69.1097	10k	CF 5% 0603
0	J 9	not used 1 pce	1p	Pin, 1reihtig, gerade	0	R 12	57.60.1331	330R	MF, 1%, 0204, E24
0	J 10	not used 1 pce	1p	Pin, 1reihtig, gerade	0	R 13	57.69.1097	10k	CF 5% 0603
0	J 11	not used 1 pce	1p	Pin, 1reihtig, gerade	0	R 14	57.69.1097	10k	CF 5% 0603
0	J 12	not used 1 pce	1p	Pin, 1reihtig, gerade	0	R 15	57.60.1331	330R	MF, 1%, 0204, E24
0	J 13	not used 1 pce	1p	Pin, 1reihtig, gerade	0	R 16	57.60.1331	330R	MF, 1%, 0204, E24
0	J 14	not used 1 pce	1p	Pin, 1reihtig, gerade	0	R 17	57.60.1331	330R	MF, 1%, 0204, E24
0	J 15	not used 1 pce	1p	Pin, 1reihtig, gerade	0	R 18	57.60.1331	330R	MF, 1%, 0204, E24
0	J 16	not used 1 pce	1p	Pin, 1reihtig, gerade	0	R 19	57.60.1331	330R	MF, 1%, 0204, E24
0	J 17	not used 1 pce	1p	Pin, 1reihtig, gerade	0	R 20	57.60.1331	330R	MF, 1%, 0204, E24
0	J 18	not used 1 pce	1p	Pin, 1reihtig, gerade	0	R 21	not used	330R	MF, 1%, 0204, E24
0	J 19	not used 1 pce	2*3p	Pin 0.63*0.63, RM2.54	0	R 22	57.60.1331	330R	MF, 1%, 0204, E24
0	J 20	not used 1 pce	1p	Pin, 1reihtig, gerade	0	R 23	57.60.1331	330R	MF, 1%, 0204, E24
0	J 21	not used 1 pce	1p	Pin, 1reihtig, gerade	0	R 24	57.60.1331	330R	MF, 1%, 0204, E24
0	J 22	not used 1 pce	1p	Pin, 1reihtig, gerade	0	R 25	57.60.1331	330R	MF, 1%, 0204, E24
0	J 23	54.11.2009 1 pce	96p	EU-R 3*32p	0	R 26	57.69.1097	10k	CF 5% 0603
0	J 24	54.13.0071 1 pce	9p	D-Sub, PCB, Winkel	0	R 27	57.69.1097	10k	CF 5% 0603
0	J 25	not used 1 pce	1p	Pin, 1reihtig, gerade	0	R 28	57.60.1331	330R	MF, 1%, 0204, E24
0	J 26	not used 1 pce	1p	Pin, 1reihtig, gerade	0	R 29	57.60.1102	1k0	MF, 1%, 0204, E24
0	J 30	54.01.0021 6 pcs	Jumper	0.63*0.63mm, Au	0	R 30	57.69.1097	10k	CF 5% 0603
0	JP 2	54.01.0020 3 pcs	1p	Pin, 1reihtig, gerade	0	R 31	not used	100R	MF, 1%, 0204, E24
0	JP 3	not used 1 pce	2*3p	Pin 0.63*0.63, RM2.54	0	R 32	57.60.1331	330R	MF, 1%, 0204, E24
0	JP 4	not used 1 pce	1p	Pin, 1reihtig, gerade	0	R 33	57.60.1330	33R	MF, 1%, 0204, E24
0	JP 5	not used 1 pce	1p	Pin, 1reihtig, gerade	0	R 34	57.60.1331	330R	MF, 1%, 0204, E24
0	JP 6	not used 2 pcs	1p	Pin, 1reihtig, gerade	0	R 35	57.60.1820	82R	MF, 1%, 0204, E24
0	JP 7	not used 2 pcs	1p	Pin, 1reihtig, gerade	0	R 36	57.60.1131	130R	MF, 1%, 0204, E24
0	JP 8	not used 2 pcs	1p	Pin, 1reihtig, gerade	0	R 37	57.60.1820	82R	MF, 1%, 0204, E24
0	JP 9	not used 2 pcs	1p	Pin, 1reihtig, gerade	0	R 38	57.60.1131	130R	MF, 1%, 0204, E24
0	JP 10	54.11.0136 1 pce	2*3p	Pin 0.63*0.63, RM2.54	0	R 41	57.69.1097	10k	CF 5% 0603
0	JP 11	not used 3 pcs	1p	Pin, 1reihtig, gerade	0	R 42	57.60.1331	330R	MF, 1%, 0204, E24
0	JP 12	not used 3 pcs	1p	Pin, 1reihtig, gerade	0	R 43	57.60.1331	330R	MF, 1%, 0204, E24
0	JP 13	not used 3 pcs	1p	Pin, 1reihtig, gerade	0	R 44	57.60.1109	1R	MF, 1%, 0204, E24
0	JP 24	54.01.0020 3 pce	1p	Pin, 1reihtig, gerade	0	R 45	57.69.1097	10k	CF 5% 0603
0	JP 26	not used 1 pce	1p	Pin, 1reihtig, gerade	0	R 46	57.69.1073	1k0	CF 5% 0603
0	JP 36	54.11.0136 1 pce	2*3p	Pin 0.63*0.63, RM2.54	0	R 47	57.60.1109	1R	MF, 1%, 0204, E24
0	JP 37	not used 1 pce	1p	Pin, 1reihtig, gerade	0	R 48	57.60.1109	1R	MF, 1%, 0204, E24
0	L 1	62.02.3109	1uH	20%, radial RM 5	0	R 49	57.60.1102	1k0	MF, 1%, 0204, E24
0	L 2	62.02.3109	1uH	20%, radial RM 5	0	R 50	57.60.1102	1k0	MF, 1%, 0204, E24
0	L 3	62.02.3109	1uH	20%, radial RM 5	0	R 51	57.60.1181	180R	MF, 1%, 0204, E24
0	L 4	62.02.3109	1uH	20%, radial RM 5	0	R 52	57.60.1680	68R	MF, 1%, 0204, E24
0	L 5	62.02.3109	1uH	20%, radial RM 5	0	R 53	57.60.1181	180R	MF, 1%, 0204, E24
0	L 6	62.02.3109	1uH	20%, radial RM 5	0	R 54	57.60.1680	68R	MF, 1%, 0204, E24
0	L 7	62.02.3109	1uH	20%, radial RM 5	0	R 55	57.69.1097	10k	CF 5% 0603
0	L 8	62.02.3109	1uH	20%, radial RM 5	0	R 56	57.69.1097	10k	CF 5% 0603
0	L 9	62.02.3109	1uH	20%, radial RM 5	0	R 57	57.60.1820	82R	MF, 1%, 0204, E24
0	L 10	62.03.0010	48uH	2A Toroid Choche	0	R 58	57.60.1131	130R	MF, 1%, 0204, E24
0	L 11	62.03.0010	48uH	2A Toroid Choche	0	R 59	57.60.1820	82R	MF, 1%, 0204, E24
0	MP 1	1.950.615.13 1 pce		MADIMEMNET PCB	0	R 60	57.60.1131	130R	MF, 1%, 0204, E24
0	MP 2	1.950.615.04 1 pce		TYPENSCHILD	0	R 61	57.69.1073	1k0	CF 5% 0603
0	MP 3	43.01.0108 1 pce	Label	ESE-WARNschild	0	R 62	57.69.1073	1k0	CF 5% 0603
0	MP 4	1.101.001.20 1 pce	Label	TEXT-ETIK. 5*20 HARDWARE -20	0	R 63	57.69.1097	10k	CF 5% 0603
0	MP 5	not used 2 pcs	M2.5*12	Z - Schraube Zn gb chr	0	R 64	57.69.1097	10k	CF 5% 0603
0	MP 6	not used 2 pcs	2.7/5.0	Rippenscheibe	0	R 65	57.69.1097	10k	CF 5% 0603
0	MP 7	not used 2 pcs	M2.5	6kt-Mutter 0.8d St gb	0	R 66	57.69.1097	10k	CF 5% 0603
0	MP 8	not used 1 pce		VERBINDUNGSKABEL	0	R 67	57.60.1109	1R	MF, 1%, 0204, E24
0	MP 9	55.12.1122 1 pce		Seitenwand	0	R 68	57.69.1073	1k0	CF 5% 0603
0	MP 10	1.950.615.05 1 pce		Frontplatte MADI	0	R 69	57.60.1102	1k0	MF, 1%, 0204, E24
0	MP 11	1.940.600.05 2 pcs		GRIFFEINLAGE 4TE	0	R 70	57.60.1102	1k0	MF, 1%, 0204, E24
0	MP 12	49.02.0524 2 pcs	M2.5*12	Schraube spezial	0	R 71	57.69.1097	10k	CF 5% 0603
0	MP 13	49.02.0521 2 pcs		Metall-Buchse (Rack)	0	R 72	57.60.1102	1k0	MF, 1%, 0204, E24
0	MP 14	not used 2 pcs	1.8*5	Lötspirale Cu Sn	0	R 73	57.69.1097	10k	CF 5% 0603
0	MP 15	49.02.0523 2 pcs	M2.5*7	Senk-Schr, KS, Senkripp	0	R 74	57.69.1097	10k	CF 5% 0603
0	MP 16	49.02.0514 1 pce	4TE	Frontplatten-Griffsatz	0	R 75	57.69.1097	10k	CF 5% 0603
0	MP 17	not used 1 pce		BATTERIEHALTER	0	R 76	57.69.1097	10k	CF 5% 0603
0	MP 18	not used 1 pce	3.6V	Lithium-Batterie, 750mAh	0	R 77	57.69.1097	10k	CF 5% 0603
0	MP 19	28.99.0119 4 pcs		ROHRNIETE D 2.5*0.15* 9	0	R 78	57.69.1097	10k	CF 5% 0603
0	MP 20	54.13.0081 2 pcs	4.85mm	Bolzen UNC 4-40	0	R 79	57.69.1097	10k	CF 5% 0603
0	MP 21	24.16.2030 2 pcs	3.2/6.0	Fächerscheibe Form A	0	R 80	57.69.1097	10k	CF 5% 0603
0	MP 22	89.01.1499 1 pce		QUARZ - ISOLIERPLATTE	0	R 83	57.69.1097	10k	CF 5% 0603
0	MP 23	not used 2 pcs	2.5*92	Kabelbinder	0	R 84	57.69.1097	10k	CF 5% 0603
0	MP 24	1.950.615.10 1 pce		BAUGRUPPENSCHILD 10X80	0	R 85	57.69.1097	10k	CF 5% 0603
0	P 9	54.01.0020 10 pce	1p	Pin, 1reihtig, gerade	0	R 86	57.69.1097	10k	CF 5% 0603
0	P 11	not used 10 pcs	1p	Pin, 1reihtig, gerade	0	R 87	57.69.1097	10k	CF 5% 0603
0	P 12	not used 10 pcs	1p	Pin, 1reihtig, gerade	0	R 88	57.69.1097	10k	CF 5% 0603
0	P 13	not used 10 pcs	1p	Pin, 1reihtig, gerade	0	R 89	57.69.1097	10k	CF 5% 0603
0	P 14	54.01.0020 14 pcs	1p	Pin, 1reihtig, gerade	0	R 90	57.69.1097	10k	CF 5% 0603

MADI Board 96k 1.950.616.20 (0)

Idx.	Pos.	Part No.	Qty.	Type/Val.	Description
0	R 91	57.69.1097	10k		CF 5% 0603
0	R 94	57.60.1270	27R		MF, 1%, 0204, E24
0	R 95	57.60.1270	27R		MF, 1%, 0204, E24
0	R 96	57.60.1270	27R		MF, 1%, 0204, E24
0	R 97	57.60.1820	82R		MF, 1%, 0204, E24
0	R 98	57.60.1131	130R		MF, 1%, 0204, E24
0	R 99	57.69.1097	10k		CF 5% 0603
0	R 100	57.69.1097	10k		CF 5% 0603
0	R 101	57.69.1097	10k		CF 5% 0603
0	R 102	57.60.1820	82R		MF, 1%, 0204, E24
0	R 103	57.60.1131	130R		MF, 1%, 0204, E24
0	R 104	57.60.1109	1R		MF, 1%, 0204, E24
0	R 105	not used	1R		MF, 1%, 0204, E24
0	R 106	57.60.1109	1R		MF, 1%, 0204, E24
0	R 107	57.69.1097	10k		CF 5% 0603
0	R 108	57.69.1097	10k		CF 5% 0603
0	R 109	57.60.1680	68R		MF, 1%, 0204, E24
0	R 110	57.60.1181	180R		MF, 1%, 0204, E24
0	R 111	57.69.1097	10k		CF 5% 0603
0	R 112	57.69.1097	10k		CF 5% 0603
0	R 113	57.69.1097	10k		CF 5% 0603
0	R 114	57.69.1097	10k		CF 5% 0603
0	R 115	57.60.1102	1k0		MF, 1%, 0204, E24
0	R 116	57.60.1820	82R		MF, 1%, 0204, E24
0	R 117	57.60.1131	130R		MF, 1%, 0204, E24
0	R 118	57.60.1102	1k0		MF, 1%, 0204, E24
0	R 119	57.60.1102	1k0		MF, 1%, 0204, E24
0	R 120	57.60.1109	1R		MF, 1%, 0204, E24
0	R 121	not used	1R		MF, 1%, 0204, E24
0	R 122	57.60.1109	1R		MF, 1%, 0204, E24
0	R 123	57.60.1270	27R		MF, 1%, 0204, E24
0	R 124	57.69.1097	10k		CF 5% 0603
0	R 125	57.69.1097	10k		CF 5% 0603
0	R 126	57.60.1109	1R		MF, 1%, 0204, E24
0	R 127	57.60.1109	1R		MF, 1%, 0204, E24
0	R 128	57.60.1109	1R		MF, 1%, 0204, E24
0	R 129	57.69.1097	10k		CF 5% 0603
0	R 130	57.69.1097	10k		CF 5% 0603
0	R 131	57.60.1270	27R		MF, 1%, 0204, E24
0	R 132	57.60.1270	27R		MF, 1%, 0204, E24
0	R 133	57.60.1270	27R		MF, 1%, 0204, E24
0	R 134	57.60.1270	27R		MF, 1%, 0204, E24
0	R 135	57.60.1270	27R		MF, 1%, 0204, E24
0	R 136	57.60.1270	27R		MF, 1%, 0204, E24
0	R 137	57.69.1097	10k		CF 5% 0603
0	R 138	57.69.1097	10k		CF 5% 0603
0	R 139	57.69.1097	10k		CF 5% 0603
0	R 140	57.60.1270	27R		MF, 1%, 0204, E24
0	R 141	57.69.1097	10k		CF 5% 0603
0	R 142	57.69.1097	10k		CF 5% 0603
0	R 143	57.69.1097	10k		CF 5% 0603
0	R 144	57.69.1097	10k		CF 5% 0603
0	R 145	57.60.1820	82R		MF, 1%, 0204, E24
0	R 146	57.60.1131	130R		MF, 1%, 0204, E24
0	R 147	57.69.1097	10k		CF 5% 0603
0	R 148	57.69.1097	10k		CF 5% 0603
0	R 149	57.69.1097	10k		CF 5% 0603
0	R 150	not used	10k		CF 5% 0603
0	R 151	not used	10k		CF 5% 0603
0	R 153	57.69.1097	10k		CF 5% 0603
0	R 154	57.69.1097	10k		CF 5% 0603
0	R 155	57.60.1102	1k0		MF, 1%, 0204, E24
0	R 156	not used	10k		CF 5% 0603
0	R 157	not used	27R		MF, 1%, 0204, E24
0	R 158	not used	22R		MF, 1%, 0204, E24
0	R 159	not used	27R		MF, 1%, 0204, E24
0	R 160	not used	22R		MF, 1%, 0204, E24
0	R 161	57.60.1820	82R		MF, 1%, 0204, E24
0	R 162	57.60.1131	130R		MF, 1%, 0204, E24
0	R 163	57.69.1097	10k		CF 5% 0603
0	R 164	57.69.1097	10k		CF 5% 0603
0	R 165	not used	10k		CF 5% 0603
0	R 166	not used	2k2		MF, 1%, 0204, E24
0	R 167	not used	2k2		MF, 1%, 0204, E24
0	R 168	not used	2k2		MF, 1%, 0204, E24
0	R 169	not used	2k2		MF, 1%, 0204, E24
0	R 170	57.60.1680	68R		MF, 1%, 0204, E24
0	R 171	57.60.1270	27R		MF, 1%, 0204, E24
0	R 172	57.60.1100	10R		MF, 1%, 0204, E24
0	R 173	not used	10k		CF 5% 0603
0	R 174	not used	1R		MF, 1%, 0204, E24
0	R 175	57.60.1131	130R		MF, 1%, 0204, E24
0	R 176	57.60.1820	82R		MF, 1%, 0204, E24
0	R 177	57.69.1097	10k		CF 5% 0603
0	R 178	57.69.1097	10k		CF 5% 0603
0	R 179	57.69.1097	10k		CF 5% 0603
0	R 180	not used	27R		MF, 1%, 0204, E24

Idx.	Pos.	Part No.	Qty.	Type/Val.	Description
0	R 181	not used		22R	MF, 1%, 0204, E24
0	R 182	not used		27R	MF, 1%, 0204, E24
0	R 183	not used		22R	MF, 1%, 0204, E24
0	R 184	57.60.1181		180R	MF, 1%, 0204, E24
0	R 185	57.60.1100		10R	MF, 1%, 0204, E24
0	R 186	57.69.1097		10k	CF 5% 0603
0	R 187	57.60.1331		330R	MF, 1%, 0204, E24
0	R 190	57.60.1103		10k	MF, 1%, 0204, E24
0	R 195	57.69.1097		10k	CF 5% 0603
0	R 196	57.69.1097		10k	CF 5% 0603
0	R 197	57.60.1102		1k0	MF, 1%, 0204, E24
0	R 198	57.60.1100		10R	MF, 1%, 0204, E24
0	R 199	57.69.1097		10k	CF 5% 0603
0	R 200	57.69.1097		10k	CF 5% 0603
0	R 201	57.60.1270		27R	MF, 1%, 0204, E24
0	R 202	57.60.1270		27R	MF, 1%, 0204, E24
0	R 203	57.60.1270		27R	MF, 1%, 0204, E24
0	R 204	57.60.1270		27R	MF, 1%, 0204, E24
0	R 205	57.60.1270		27R	MF, 1%, 0204, E24
0	R 206	57.69.1097		10k	CF 5% 0603
0	R 207	57.69.1097		10k	CF 5% 0603
0	R 208	57.69.1097		10k	CF 5% 0603
0	R 209	57.60.1331		330R	MF, 1%, 0204, E24
0	R 210	57.69.1097		10k	CF 5% 0603
0	R 211	57.69.1097		10k	CF 5% 0603
0	R 212	57.69.1097		10k	CF 5% 0603
0	R 213	57.69.1097		10k	CF 5% 0603
0	R 214	57.69.1097		10k	CF 5% 0603
0	R 215	57.69.1097		10k	CF 5% 0603
0	R 216	57.69.1097		10k	CF 5% 0603
0	R 217	57.69.1097		10k	CF 5% 0603
0	R 218	not used		10R	MF, 1%, 0204, E24
0	R 219	not used		470R	MF, 1%, 0204, E24
0	R 220	57.60.1270		27R	MF, 1%, 0204, E24
0	R 221	57.60.1270		27R	MF, 1%, 0204, E24
0	R 222	57.60.1270		27R	MF, 1%, 0204, E24
0	R 223	57.60.1104		100k	MF, 1%, 0204, E24
0	R 224	57.60.1104		100k	MF, 1%, 0204, E24
0	R 225	57.69.1097		10k	CF 5% 0603
0	R 226	57.69.1097		10k	CF 5% 0603
0	R 227	57.69.1097		10k	CF 5% 0603
0	R 228	57.69.1097		10k	CF 5% 0603
0	R 229	57.60.1109		1R	MF, 1%, 0204, E24
0	R 230	57.69.1097		10k	CF 5% 0603
0	R 231	57.69.1097		10k	CF 5% 0603
0	R 232	57.60.1820		82R	MF, 1%, 0204, E24
0	R 233	57.60.1131		130R	MF, 1%, 0204, E24
0	R 234	57.60.1820		82R	MF, 1%, 0204, E24
0	R 235	57.60.1131		130R	MF, 1%, 0204, E24
0	R 236	57.69.1097		10k	CF 5% 0603
0	R 239	57.69.1097		10k	CF 5% 0603
0	R 240	57.60.1109		1R	MF, 1%, 0204, E24
0	R 241	57.60.1270		27R	MF, 1%, 0204, E24
0	R 242	57.60.1270		27R	MF, 1%, 0204, E24
0	R 243	57.60.1270		27R	MF, 1%, 0204, E24
0	R 244	57.69.1097		10k	CF 5% 0603
0	R 245	57.69.1097		10k	CF 5% 0603
0	R 246	57.69.1097		10k	CF 5% 0603
0	R 247	57.69.1097		10k	CF 5% 0603
0	R 248	57.69.1097		10k	CF 5% 0603
0	R 249	57.69.1073		1k0	CF 5% 0603
0	R 250	57.69.1097		10k	CF 5% 0603
0	R 251	57.69.1097		10k	CF 5% 0603
0	R 252	57.60.1102		1k0	MF, 1%, 0204, E24
0	R 253	57.60.1820		82R	MF, 1%, 0204, E24
0	R 254	57.60.1131		130R	MF, 1%, 0204, E24
0	R 255	57.60.1820		82R	MF, 1%, 0204, E24
0	R 256	57.60.1131		130R	MF, 1%, 0204, E24
0	R 257	57.69.1073		1k0	CF 5% 0603
0	R 258	57.69.1073		1k0	CF 5% 0603
0	R 259	not used		10k	CF 5% 0603
0	R 260	not used		10k	CF 5% 0603
0	R 261	57.69.1097		10k	CF 5% 0603
0	R 262	57.69.1073		1k0	CF 5% 0603
0	R 263	57.60.1102		1k0	MF, 1%, 0204, E24
0	R 264	57.60.1102		1k0	MF, 1%, 0204, E24
0	R 265	57.60.1102		1k0	MF, 1%, 0204, E24
0	R 266	57.60.1102		1k0	MF, 1%, 0204, E24
0	R 267	57.69.1097		10k	CF 5% 0603
0	R 268	57.69.1097		10k	CF 5% 0603
0	R 269	57.69.1097		10k	CF 5% 0603
0	R 270	57.69.1097		10k	CF 5% 0603
0	R 271	57.60.1109		1R	MF, 1%, 0204, E24
0	R 272	57.69.1097		10k	CF 5% 0603
0	R 273	57.60.1105		1M	MF, 1%, 0204, E24
0	R 274	57.60.1102		1k0	MF, 1%, 0204, E24
0	R 275	57.69.1097		10k	CF 5% 0603

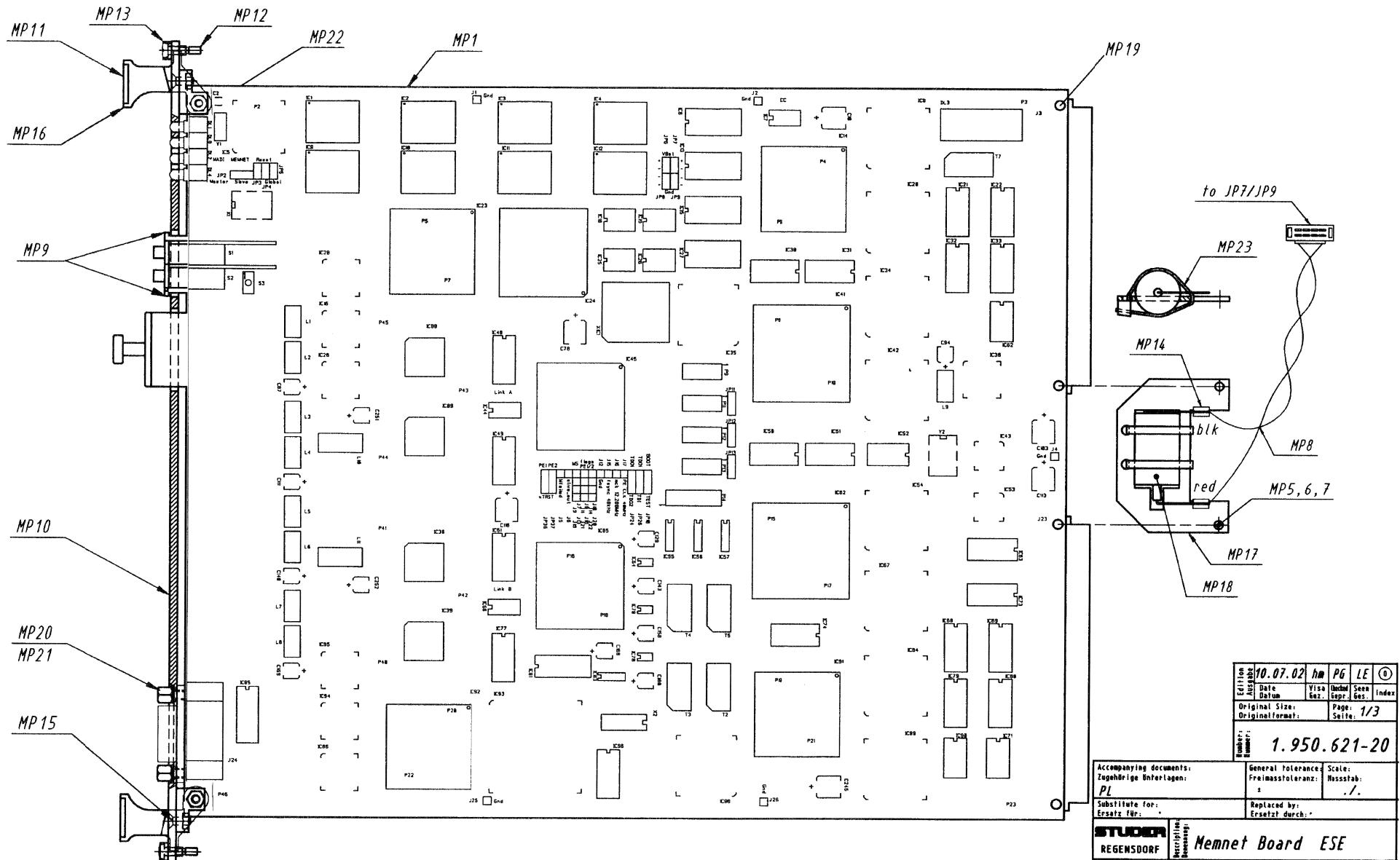
MADI Board 96k 1.950.616.20 (0)

Idx.	Pos.	Part No.	Qty.	Type/Val.	Description
0	R 276	not used		56R	MF, 1%, 0204, E24
0	R 277	not used		56R	MF, 1%, 0204, E24
0	R 278	not used		56R	MF, 1%, 0204, E24
0	R 279	57.69.1097		10k	CF 5% 0603
0	R 280	57.69.1097		10k	CF 5% 0603
0	R 281	57.69.1097		10k	CF 5% 0603
0	R 282	57.69.1097		10k	CF 5% 0603
0	R 283	57.69.1097		10k	CF 5% 0603
0	R 284	57.69.1097		10k	CF 5% 0603
0	R 285	57.69.1097		10k	CF 5% 0603
0	R 286	57.69.1097		10k	CF 5% 0603
0	R 287	not used		1R	MF, 1%, 0204, E24
0	R 288	not used		1R	MF, 1%, 0204, E24
0	R 289	not used		1R	MF, 1%, 0204, E24
0	R 290	57.69.1097		10k	CF 5% 0603
0	R 291	not used		1R	MF, 1%, 0204, E24
0	R 292	not used		1R	MF, 1%, 0204, E24
0	R 293	not used		1R	MF, 1%, 0204, E24
0	R 294	57.69.1097		10k	CF 5% 0603
0	S 1	55.12.1121			Code-Switch
0	S 2	55.12.1121			Code-Switch
0	S 3	55.15.0138		1*A	S 1 TASTE, 1*A,IMPULS,1.0 N
0	T 2	not used		1:1.4	OUTPUT TRAFO AES/EBU
0	T 3	not used		1:1.4	OUTPUT TRAFO AES/EBU
0	T 4	not used		1:1.4	OUTPUT TRAFO AES/EBU
0	T 5	not used		1:1.4	OUTPUT TRAFO AES/EBU
0	T 7	not used		1:1.4	OUTPUT TRAFO AES/EBU
0	X 1	89.60.2001		12.5MHz	XTAL Oscillator
0	X 2	not used		12.288MHz	TCXO Xtal-Oscillator temp comp
0	XDL 3	53.03.0165		20p	DIL 0.3", lot, gerade
0	XIC 1	1.950.930.25			SW605/10/16/21 RTOSBOOT(.1301)
0	XIC 7	53.03.0166		8p	DIL 0.3", lot, gerade
0	XIC 44	53.03.0166		8p	DIL 0.3", lot, gerade
0	XIC 66	53.03.0166		8p	DIL 0.3", lot, gerade
0	XR 1	not used		1R	MF, 1%, 0204, E24
0	XR 2	not used		1R	MF, 1%, 0204, E24
0	XR 16	57.60.1102		1k0	MF, 1%, 0204, E24
0	XR 19	57.60.1102		1k0	MF, 1%, 0204, E24
0	XR 21	not used		1k0	MF, 1%, 0204, E24
0	XXIC 1	53.03.2232		32p	PLCC-Socket
0	Y 1	89.01.1017		1.8432MHz	XTAL HC49U
0	Y 2	89.60.2004		40.0MHz	XTAL Oscillator

Idx.	Pos.	Part No.	Qty.	Type/Val.	Description
------	------	----------	------	-----------	-------------

End of List

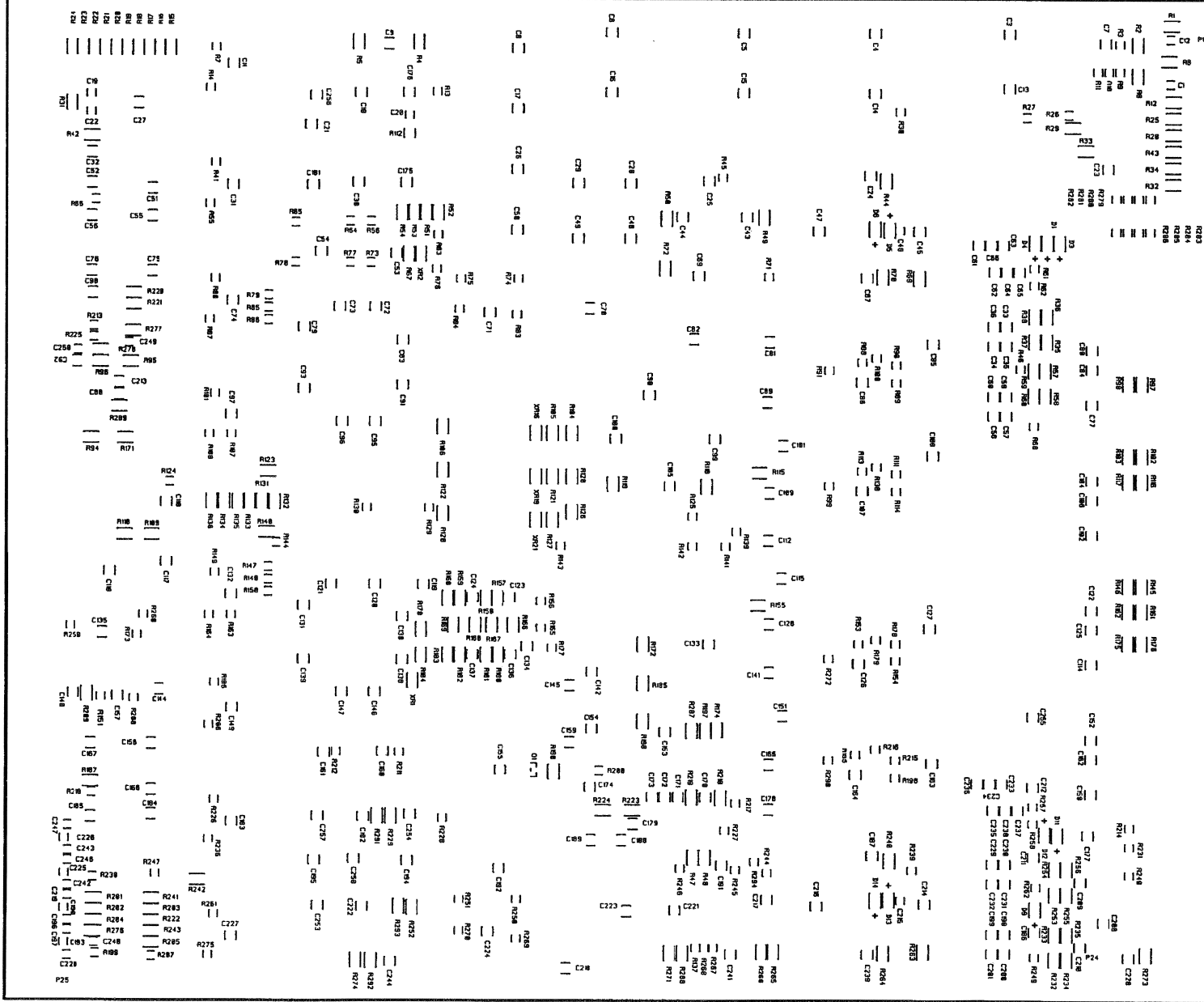
MEMNET Board 96k 1.950.621.20 (0) (Component Side)



Revision Änderung	10.07.02	hm	PG	LE	①
Date Datum		Vista Ans.	Übers. Übers.	Seen Ans.	Index
Original Size:	Page:		1/3		
Originalformat:					
Number:	1.950.621-20				

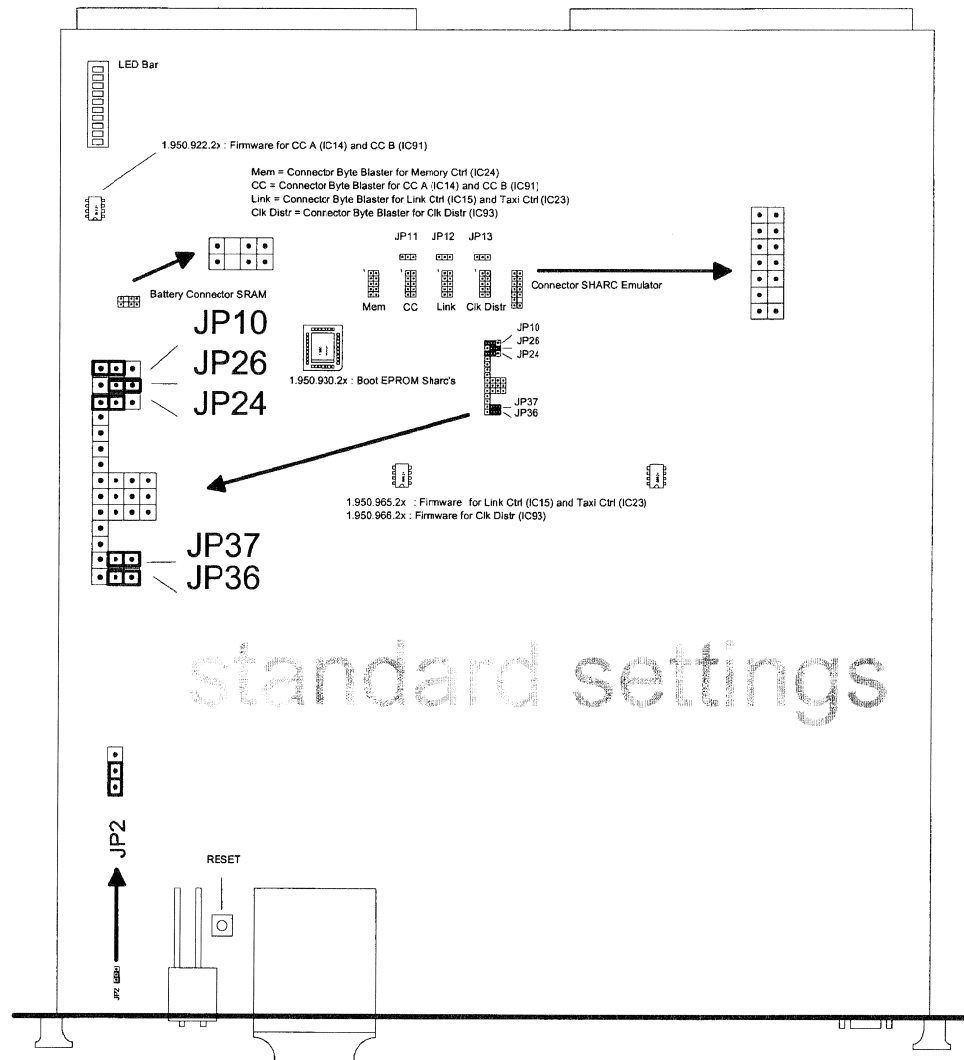
Accompanying documents: Zugehörige Unterlagen:	General Tolerance: Freimasstoleranz:	Scale: Maßstab:
PL	s	1:1
Substitute for: Ersatz für:	Replaced by: Ersetzt durch:	
STUDER REGENSDORF Memnet Board ESE		

MEMNET Board 96k 1.950.621.20 (0) (Solder Side)



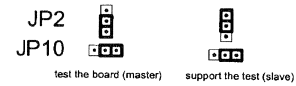
Accompanying documents: Zugehörige Unterlagen:	General Tolerance Scale: Freimasstoleranz:		Scale: Maßstab:		Date: Datum:		10.07.02		hm		pg		LE		⑥	
	PL		/ /		Revised: Gepr.:		Date: Datum:		Page: Seite:		2/3		E/C			
Substitute for: Ersatz für:	Replaced by: Ersetzt durch:															
STUDER MEMNET Board ESE 1.950.621-20																

MEMNET Board 96k 1.950.621.20 (0) (Jumper Setting)

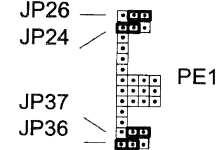


Settings for lab use

Jumper settings for the board test



Jumper settings using the Emulator



Jumper settings Byte Blaster

If you want to program the Altera with the Byte Blaster, you first have to remove the corresponding resistor (R106 for the CC, R122 Link, R128 Clk Distr)



Accompanying documents: Zugehörige Unterlagen:	General Tolerance: Freimassstoleranz:	Scale: Maßstab:	Edition Ausgabe	10.07.02	hm	PG	LE	Ⓢ
Substitute for: Ersatz für:	Replaced by: Ersetzt durch:	Original Size: Originalformat:	Date Datum	Visa Gez.	Checked Gepr.	Seen Ges.	Index	
STUDER REGENSDORF		Beschreibung Memnet Board ESE		Number: Nummer:		1.950.621-20		
			Page: Seite:		3/3			

MEMNET Board 96k 1.950.621.20 (0)

Idx.	Pos.	Part No.	Qty.	Type/Val.	Description	Idx.	Pos.	Part No.	Qty.	Type/Val.	Description
0	C 182	59.60.3337	100n		CER 50V, 10%, X7R, 0805	0	DL 8	50.04.2751		grn	LED mit Halter
0	C 183	59.60.3337	100n		CER 50V, 10%, X7R, 0805	0	IC 1	50.63.1302		29F016	Flash Memory 2M*8
0	C 184	59.60.3337	100n		CER 50V, 10%, X7R, 0805	0	IC 2	50.63.1302		29F016	Flash Memory 2M*8
0	C 185	59.60.3337	100n		CER 50V, 10%, X7R, 0805	0	IC 3	50.63.1302		29F016	Flash Memory 2M*8
0	C 186	59.60.3337	100n		CER 50V, 10%, X7R, 0805	0	IC 4	50.63.1302		29F016	Flash Memory 2M*8
0	C 187	59.60.3337	100n		CER 50V, 10%, X7R, 0805	0	IC 5	50.63.0203		TL16C550	UART
0	C 188	59.60.3337	100n		CER 50V, 10%, X7R, 0805	0	IC 6	50.63.1503		62256	SRAM 32K*8, 100ns
0	C 189	59.60.3337	100n		CER 50V, 10%, X7R, 0805	0	IC 7	1.950.922.22			SW 605/615 CC (50.63.4298)
0	C 190	59.60.2249	100p		CER 50V, 5%, COG, 0603	0	IC 8	not used		IDT7014	Dualport SRAM, 4K*9
0	C 191	59.60.3337	100n		CER 50V, 10%, X7R, 0805	0	IC 9	50.63.1302		29F016	Flash Memory 2M*8
0	C 192	59.60.3337	100n		CER 50V, 10%, X7R, 0805	0	IC 10	50.63.1302		29F016	Flash Memory 2M*8
0	C 193	59.60.2249	100p		CER 50V, 5%, COG, 0603	0	IC 11	50.63.1302		29F016	Flash Memory 2M*8
0	C 194	59.60.3337	100n		CER 50V, 10%, X7R, 0805	0	IC 12	50.63.1302		29F016	Flash Memory 2M*8
0	C 195	59.60.3337	100n		CER 50V, 10%, X7R, 0805	0	IC 13	50.63.1503		62256	SRAM 32K*8, 100ns
0	C 196	59.60.2249	100p		CER 50V, 5%, COG, 0603	0	IC 14	not used		EPF8820R	EPLD 8000 QFP208
0	C 197	59.60.2249	100p		CER 50V, 5%, COG, 0603	0	IC 15	50.63.1503		62256	SRAM 32K*8, 100ns
0	C 198	not used	100n		CER 50V, 10%, X7R, 0805	0	IC 16	not used		AM7969	TAXI Chip Receiver
0	C 199	not used	1n0		CER 50V, 5%, COG, 0805	0	IC 18	50.63.1599		DS1210	Backup-Battery Manager
0	C 200	not used	100n		CER 50V, 10%, X7R, 0805	0	IC 19	50.63.1599		DS1210	Backup-Battery Manager
0	C 201	not used	1n0		CER 50V, 5%, COG, 0805	0	IC 20	not used		IDT7014	Dualport SRAM, 4K*9
0	C 208	not used	100n		CER 50V, 10%, X7R, 0805	0	IC 21	not used		74FCT162374	16bit Bus Latches
0	C 209	not used	100n		CER 50V, 10%, X7R, 0805	0	IC 22	not used		74ABTE16245	16bit Bus-Driver
0	C 210	not used	100n		CER 50V, 10%, X7R, 0805	0	IC 23	50.63.4208		EPF81188	EPLD 12000 QFP208
0	C 211	not used	100n		CER 50V, 10%, X7R, 0805	0	IC 24	1.950.964.20			SW 621 MEMCTRL (50.63.4206)
0	C 212	not used	100n		CER 50V, 10%, X7R, 0805	0	IC 25	50.63.1599		DS1210	Backup-Battery Manager
0	C 213	59.60.3337	100n		CER 50V, 10%, X7R, 0805	0	IC 26	50.63.1599		DS1210	Backup-Battery Manager
0	C 214	not used	100n		CER 50V, 10%, X7R, 0805	0	IC 27	50.63.1503		62256	SRAM 32K*8, 100ns
0	C 215	not used	22p		CER 50V, 5%, COG, 0603	0	IC 28	50.63.0205		AM7969	TAXI Chip Receiver
0	C 216	not used	100n		CER 50V, 10%, X7R, 0805	0	IC 29	50.63.0204		AM7968	TAXI Chip Transmitter
0	C 217	59.60.3337	100n		CER 50V, 10%, X7R, 0805	0	IC 30	50.62.6946		74FCT162245	16bit Bus-Driver, tri
0	C 218	59.60.3337	100n		CER 50V, 10%, X7R, 0805	0	IC 31	50.62.6946		74FCT162245	16bit Bus-Driver, tri
0	C 219	59.60.2249	100p		CER 50V, 5%, COG, 0603	0	IC 32	not used		74FCT162374	16bit Bus Latches
0	C 220	59.60.2249	100p		CER 50V, 5%, COG, 0603	0	IC 33	not used		74ABTE16245	16bit Bus-Driver
0	C 221	59.60.3337	100n		CER 50V, 10%, X7R, 0805	0	IC 34	not used		IDT7014	Dualport SRAM, 4K*9
0	C 222	59.60.3337	100n		CER 50V, 10%, X7R, 0805	0	IC 35	not used		IDT7014	Dualport SRAM, 4K*9
0	C 223	59.60.3337	100n		CER 50V, 10%, X7R, 0805	0	IC 36	50.62.6915		74FCT88915	Clock-Driver
0	C 224	59.60.3337	100n		CER 50V, 10%, X7R, 0805	0	IC 37	89.10.0021		HFBR5103	LWL Transceiver FDDI/MADI
0	C 225	59.60.2249	100p		CER 50V, 5%, COG, 0603	0	IC 38	not used		CY7C027	Dualport RAM, 32K*16
0	C 226	59.60.2249	100p		CER 50V, 5%, COG, 0603	0	IC 39	not used		CY7C027	Dualport RAM, 32K*16
0	C 227	59.60.3337	100n		CER 50V, 10%, X7R, 0805	0	IC 40	50.62.6946		74FCT162245	16bit Bus-Driver, tri
0	C 228	59.60.3337	100n		CER 50V, 10%, X7R, 0805	0	IC 41	50.63.0408		ADSP21062	32bit DSP
0	C 229	not used	1n0		CER 50V, 5%, COG, 0805	0	IC 42	not used		IDT7014	Dualport SRAM, 4K*9
0	C 230	not used	100n		CER 50V, 10%, X7R, 0805	0	IC 43	not used			SW 605/101 GAL A (50.63.3002)
0	C 231	not used	100n		CER 50V, 10%, X7R, 0805	0	IC 44	1.950.965.20			SW 621 LINK A (50.63.4298)
0	C 232	not used	1n0		CER 50V, 5%, COG, 0805	0	IC 45	50.63.4209		EPF8820Q	EPLD 8000 QFP160
0	C 233	not used	100n		CER 50V, 10%, X7R, 0805	0	IC 46	not used		HFBR5103	LWL Transceiver FDDI/MADI
0	C 234	not used	1n0		CER 50V, 5%, COG, 0805	0	IC 49	50.62.6946		74FCT162245	16bit Bus-Driver, tri
0	C 235	not used	1n0		CER 50V, 5%, COG, 0805	0	IC 50	50.62.6946		74FCT162245	16bit Bus-Driver, tri
0	C 236	not used	100n		CER 50V, 10%, X7R, 0805	0	IC 51	50.62.6946		74FCT162245	16bit Bus-Driver, tri
0	C 237	not used	1n0		CER 50V, 5%, COG, 0805	0	IC 52	50.62.6907		74FCT807	Share Clock-Driver
0	C 238	not used	100n		CER 50V, 10%, X7R, 0805	0	IC 53	1.950.921.20			SW 605/615 GAL B (50.63.3002)
0	C 239	not used	100n		CER 50V, 10%, X7R, 0805	0	IC 54	50.63.1506		IDT7014	Dualport SRAM, 4K*9
0	C 241	59.60.3337	100n		CER 50V, 10%, X7R, 0805	0	IC 55	50.62.0463		DS34C86	4*RS 422 Line Receiver
0	C 242	59.60.2249	100p		CER 50V, 5%, COG, 0603	0	IC 56	50.62.0464		DS34C87	4*RS 422 Line Driver
0	C 243	59.60.2249	100p		CER 50V, 5%, COG, 0603	0	IC 57	50.62.0464		DS34C87	4*RS 422 Line Driver
0	C 244	59.60.3337	100n		CER 50V, 10%, X7R, 0805	0	IC 58	not used		HFBR5103	LWL Transceiver FDDI/MADI
0	C 245	59.68.0111	22u		EL 35V, 6.3*5.7	0	IC 61	not used		74FCT162245	16bit Bus-Driver, tri
0	C 246	59.60.2249	100p		CER 50V, 5%, COG, 0603	0	IC 62	not used		ADSP21062	32bit DSP
0	C 247	59.60.2249	100p		CER 50V, 5%, COG, 0603	0	IC 63	50.62.6745		74ABTE16245	16bit Bus-Driver
0	C 248	not used	68p		CER 50V, 5%, COG, 0603	0	IC 64	50.63.2001		7705B	Reset Generator
0	C 249	not used	68p		CER 50V, 5%, COG, 0603	0	IC 65	not used		EPF8820Q	EPLD 8000 QFP160
0	C 250	not used	68p		CER 50V, 5%, COG, 0603	0	IC 66	1.950.966.20			SW 621 LINK B (50.63.4298)
0	C 251	59.68.0065	10u		EL 16V, 4.0*5.7	0	IC 67	50.63.1506		IDT7014	Dualport SRAM, 4K*9
0	C 252	not used	10u		EL 16V, 4.0*5.7	0	IC 68	50.62.6974		74FCT162374	16bit Bus Latches
0	C 253	59.60.3337	100n		CER 50V, 10%, X7R, 0805	0	IC 69	50.62.6745		74ABTE16245	16bit Bus-Driver
0	C 254	59.60.3337	100n		CER 50V, 10%, X7R, 0805	0	IC 70	50.63.2001		7705B	Reset Generator
0	C 255	59.60.3337	100n		CER 50V, 10%, X7R, 0805	0	IC 71	50.62.6905		49FCT805	Dual Clock-Driver
0	C 256	59.60.3337	100n		CER 50V, 10%, X7R, 0805	0	IC 72	not used		HFBR5103	LWL Transceiver FDDI/MADI
0	C 257	59.60.3337	100n		CER 50V, 10%, X7R, 0805	0	IC 73	50.62.6746		74ABTE16246	16bit Bus-Driver o.c.
0	C 258	59.60.3337	100n		CER 50V, 10%, X7R, 0805	0	IC 74	50.62.6946		74FCT162245	16bit Bus-Driver, tri
0	D 1	not used	BAS85		200mA 30V Schottky SOD 80	0	IC 77	not used		74FCT162245	16bit Bus-Driver, tri
0	D 3	50.60.8101	BAS85		200mA 30V Schottky SOD 80	0	IC 78	50.63.2001		7705B	Reset Generator
0	D 4	50.60.8101	BAS85		200mA 30V Schottky SOD 80	0	IC 79	50.62.6974		74FCT162374	16bit Bus Latches
0	D 5	50.60.8101	BAS85		200mA 30V Schottky SOD 80	0	IC 80	50.62.6745		74ABTE16245	16bit Bus-Driver
0	D 6	50.60.8101	BAS85		200mA 30V Schottky SOD 80	0	IC 81	50.62.0915		CS8414	Digital Audio Receiver 96kHz
0	D 9	not used	BAS85		200mA 30V Schottky SOD 80	0	IC 82	50.62.6905		49FCT805	Dual Clock-Driver
0	D 11	not used	BAS85		200mA 30V Schottky SOD 80	0	IC 83	50.62.1004		74HC 04	Hex inverter
0	D 12	not used	BAS85		200mA 30V Schottky SOD 80	0	IC 84	50.63.1506		IDT7014	Dualport SRAM, 4K*9
0	D 13	not used	BAS85		200mA 30V Schottky SOD 80	0	IC 85	50.62.0462		MAX 225	5*RS 232 Driver/Receiver
0	D 14	not used	BAS85		200mA 30V Schottky SOD 80	0	IC 86	not used		AM7969	TAXI Chip Receiver
0	DL 1	50.04.2750	red		LED mit Halter	0	IC 88	50.63.1704		CY7C027	Dualport RAM, 32K*16
0	DL 2	50.04.2751	grn		LED mit Halter	0	IC 89	50.63.1704		CY7C027	Dualport RAM, 32K*16
0	DL 3	50.04.2811	10*grn		LED-Bargraph 10*green	0	IC 90	50.62.6905		49FCT805	Dual Clock-Driver
0	DL 4	50.04.2751	grn		LED mit Halter	0	IC 91	50.63.4207		EPF8820R	EPLD 8000 QFP208
0	DL 5	not used	grn		LED mit Halter	0	IC 92	not used		EPF81188	EPLD 12000 QFP208
0	DL 6	not used	grn		LED mit Halter	0	IC 93	50.63.4203		EPLD8282	EPLD 2500 PLCC84
0	DL 7	not used	grn		LED mit Halter	0	IC 94	not used		AM7969	TAXI Chip Receiver

MEMNET Board 96k 1.950.621.20 (0)

Idx. Pos.	Part No.	Qty.	Type/Val.	Description	Idx. Pos.	Part No.	Qty.	Type/Val.	Description
0	IC 95	not used	AM7968	TAXI Chip Transmitter	0	Q 1	50.60.0001	BC847B	NPN 45V 100mA SOT 23
0	IC 96	50.62.0910	CS8402A	Dig audio interface transmitt	0	R 1	57.60.1105	1M	MF, 1%, 0204, E24
0	IC 98	50.63.1506	IDT7014	Dualport SRAM, 4K*9	0	R 2	57.60.1105	1M	MF, 1%, 0204, E24
0	IC 99	50.63.1506	IDT7014	Dualport SRAM, 4K*9	0	R 3	57.69.1097	10k	CF 5% 0603
0	J 1	not used	1 pce	1p	0	R 4	57.60.1102	1k0	MF, 1%, 0204, E24
0	J 2	not used	1 pce	1p	0	R 5	57.60.1102	1k0	MF, 1%, 0204, E24
0	J 3	54.11.2009	1 pce	96p	0	R 6	57.60.1331	330R	MF, 1%, 0204, E24
0	J 4	not used	1 pce	1p	0	R 7	57.69.1097	10k	CF 5% 0603
0	J 5	not used	1 pce	1p	0	R 8	57.60.1152	1k5	MF, 1%, 0204, E24
0	J 6	not used	1 pce	1p	0	R 9	57.69.1097	10k	CF 5% 0603
0	J 7	not used	1 pce	1p	0	R 10	57.69.1097	10k	CF 5% 0603
0	J 8	not used	1 pce	1p	0	R 11	57.69.1097	10k	CF 5% 0603
0	J 9	not used	1 pce	1p	0	R 12	57.60.1331	330R	MF, 1%, 0204, E24
0	J 10	not used	1 pce	1p	0	R 13	57.69.1097	10k	CF 5% 0603
0	J 11	not used	1 pce	1p	0	R 14	57.69.1097	10k	CF 5% 0603
0	J 12	not used	1 pce	1p	0	R 15	57.60.1331	330R	MF, 1%, 0204, E24
0	J 13	not used	1 pce	1p	0	R 16	57.60.1331	330R	MF, 1%, 0204, E24
0	J 14	not used	1 pce	1p	0	R 17	57.60.1331	330R	MF, 1%, 0204, E24
0	J 15	not used	1 pce	1p	0	R 18	57.60.1331	330R	MF, 1%, 0204, E24
0	J 16	not used	1 pce	1p	0	R 19	57.60.1331	330R	MF, 1%, 0204, E24
0	J 17	not used	1 pce	1p	0	R 20	57.60.1331	330R	MF, 1%, 0204, E24
0	J 18	not used	1 pce	1p	0	R 21	not used	330R	MF, 1%, 0204, E24
0	J 19	not used	1 pce	2*3p	0	R 22	57.60.1331	330R	MF, 1%, 0204, E24
0	J 20	not used	1 pce	1p	0	R 23	57.60.1331	330R	MF, 1%, 0204, E24
0	J 21	not used	1 pce	1p	0	R 24	57.60.1331	330R	MF, 1%, 0204, E24
0	J 22	not used	1 pce	1p	0	R 25	57.60.1331	330R	MF, 1%, 0204, E24
0	J 23	54.11.2009	1 pce	96p	0	R 26	57.69.1097	10k	CF 5% 0603
0	J 24	54.13.0071	1 pce	9p	0	R 27	57.69.1097	10k	CF 5% 0603
0	J 25	not used	1 pce	1p	0	R 28	57.60.1331	330R	MF, 1%, 0204, E24
0	J 26	not used	1 pce	1p	0	R 29	57.60.1102	1k0	MF, 1%, 0204, E24
0	J 30	54.01.0021	6 pcs	Jumper	0	R 30	57.69.1097	10k	CF 5% 0603
0	JP 2	54.01.0020	3 pcs	1p	0	R 31	57.60.1101	100R	MF, 1%, 0204, E24
0	JP 3	not used	1 pce	2*3p	0	R 32	57.60.1331	330R	MF, 1%, 0204, E24
0	JP 4	not used	1 pce	1p	0	R 33	57.60.1330	33R	MF, 1%, 0204, E24
0	JP 5	not used	1 pce	1p	0	R 34	57.60.1331	330R	MF, 1%, 0204, E24
0	JP 6	not used	2 pcs	1p	0	R 35	not used	82R	MF, 1%, 0204, E24
0	JP 7	54.01.0020	2 pcs	1p	0	R 36	not used	130R	MF, 1%, 0204, E24
0	JP 8	not used	2 pcs	1p	0	R 37	not used	82R	MF, 1%, 0204, E24
0	JP 9	54.01.0020	2 pcs	1p	0	R 38	not used	130R	MF, 1%, 0204, E24
0	JP 10	54.11.0136	1 pce	2*3p	0	R 41	57.69.1097	10k	CF 5% 0603
0	JP 11	not used	3 pcs	1p	0	R 42	57.60.1331	330R	MF, 1%, 0204, E24
0	JP 12	not used	3 pcs	1p	0	R 43	57.60.1331	330R	MF, 1%, 0204, E24
0	JP 13	not used	3 pcs	1p	0	R 44	57.60.1109	1R	MF, 1%, 0204, E24
0	JP 24	54.01.0020	3 pce	1p	0	R 45	57.69.1097	10k	CF 5% 0603
0	JP 26	not used	1 pce	1p	0	R 46	57.69.1073	1k0	CF 5% 0603
0	JP 36	54.11.0136	1 pce	2*3p	0	R 47	57.60.1109	1R	MF, 1%, 0204, E24
0	JP 37	not used	1 pce	1p	0	R 48	57.60.1109	1R	MF, 1%, 0204, E24
0	L 1	62.02.3109		1uH	0	R 49	57.60.1102	1k0	MF, 1%, 0204, E24
0	L 2	62.02.3109		1uH	0	R 50	57.60.1102	1k0	MF, 1%, 0204, E24
0	L 3	not used		1uH	0	R 51	57.60.1181	180R	MF, 1%, 0204, E24
0	L 4	not used		1uH	0	R 52	57.60.1680	68R	MF, 1%, 0204, E24
0	L 5	not used		1uH	0	R 53	57.60.1181	180R	MF, 1%, 0204, E24
0	L 6	not used		1uH	0	R 54	57.60.1680	68R	MF, 1%, 0204, E24
0	L 7	not used		1uH	0	R 55	57.69.1097	10k	CF 5% 0603
0	L 8	not used		1uH	0	R 56	57.69.1097	10k	CF 5% 0603
0	L 9	62.02.3109		1uH	0	R 57	57.60.1820	82R	MF, 1%, 0204, E24
0	L 10	62.03.0010		48uH	0	R 58	57.60.1131	130R	MF, 1%, 0204, E24
0	L 11	not used		48uH	0	R 59	57.60.1820	82R	MF, 1%, 0204, E24
0	MP 1	1.950.615.13	1 pce		0	R 60	57.60.1131	130R	MF, 1%, 0204, E24
0	MP 2	1.950.620.04	1 pce		0	R 61	57.69.1073	10k	CF 5% 0603
0	MP 3	43.01.0108	1 pce	Label	0	R 62	57.69.1073	10k	CF 5% 0603
0	MP 4	1.101.001.20	1 pce	Label	0	R 63	57.69.1097	10k	CF 5% 0603
0	MP 5	21.01.0282	2 pcs	M2.5*12	0	R 64	57.69.1097	10k	CF 5% 0603
0	MP 6	24.16.1025	2 pcs	2.7/5.0	0	R 65	57.69.1097	10k	CF 5% 0603
0	MP 7	22.01.8025	2 pcs	M2.5	0	R 66	57.69.1097	10k	CF 5% 0603
0	MP 8	1.950.615.03	1 pce		0	R 67	57.60.1109	1R	MF, 1%, 0204, E24
0	MP 9	55.12.1122	1 pce		0	R 68	57.69.1073	10k	CF 5% 0603
0	MP 10	1.950.620.01	1 pce		0	R 69	57.60.1102	1k0	MF, 1%, 0204, E24
0	MP 11	1.940.600.05	2 pcs		0	R 70	57.60.1102	1k0	MF, 1%, 0204, E24
0	MP 12	49.02.0524	2 pcs	M2.5*12	0	R 71	57.69.1097	10k	CF 5% 0603
0	MP 13	49.02.0521	2 pcs		0	R 72	57.60.1102	1k0	MF, 1%, 0204, E24
0	MP 14	29.99.0134	2 pcs	1.8*5	0	R 73	57.69.1097	10k	CF 5% 0603
0	MP 15	not used	2 pcs	M2.5*7	0	R 74	not used	10k	CF 5% 0603
0	MP 16	49.02.0514	1 pce	4TE	0	R 75	57.69.1097	10k	CF 5% 0603
0	MP 17	1.950.615.02	1 pce		0	R 76	57.69.1097	10k	CF 5% 0603
0	MP 18	89.01.2203	1 pce	3.6V	0	R 77	57.69.1097	10k	CF 5% 0603
0	MP 19	28.99.0119	2 pcs		0	R 78	57.69.1097	10k	CF 5% 0603
0	MP 20	54.13.0081	2 pcs	4.85mm	0	R 79	57.69.1097	10k	CF 5% 0603
0	MP 21	24.16.2030	2 pcs	3.2/6.0	0	R 80	57.69.1097	10k	CF 5% 0603
0	MP 22	89.01.1499	1 pce		0	R 83	57.69.1097	10k	CF 5% 0603
0	MP 23	35.03.0109	2 pcs	2.5*92	0	R 84	57.69.1097	10k	CF 5% 0603
0	MP 24	1.950.620.10			0	R 85	57.69.1097	10k	CF 5% 0603
0	P 9	54.01.0020	10 pce	1p	0	R 86	57.69.1097	10k	CF 5% 0603
0	P 11	not used	10 pcs	1p	0	R 87	57.69.1097	10k	CF 5% 0603
0	P 12	not used	10 pcs	1p	0	R 88	57.69.1097	10k	CF 5% 0603
0	P 13	not used	10 pcs	1p	0	R 89	57.69.1097	10k	CF 5% 0603
0	P 14	54.01.0020	14 pcs	1p	0	R 90	57.69.1097	10k	CF 5% 0603

MEMNET Board 96k 1.950.621.20 (0)

Idx.	Pos.	Part No.	Qty.	Type/Val.	Description	Idx.	Pos.	Part No.	Qty.	Type/Val.	Description
0	R 91	57.69.1097	10k		CF 5% 0603	0	R 181	57.60.1220	22R		MF, 1%, 0204, E24
0	R 94	not used	27R		MF, 1%, 0204, E24	0	R 182	57.60.1270	27R		MF, 1%, 0204, E24
0	R 95	57.60.1270	27R		MF, 1%, 0204, E24	0	R 183	57.60.1220	22R		MF, 1%, 0204, E24
0	R 96	57.60.1270	27R		MF, 1%, 0204, E24	0	R 184	57.60.1181	180R		MF, 1%, 0204, E24
0	R 97	57.60.1820	82R		MF, 1%, 0204, E24	0	R 185	57.60.1100	10R		MF, 1%, 0204, E24
0	R 98	57.60.1131	130R		MF, 1%, 0204, E24	0	R 186	57.69.1097	10k		CF 5% 0603
0	R 99	57.69.1097	10k		CF 5% 0603	0	R 187	57.60.1331	330R		MF, 1%, 0204, E24
0	R 100	57.69.1097	10k		CF 5% 0603	0	R 190	57.60.1103	10k		MF, 1%, 0204, E24
0	R 101	57.69.1097	10k		CF 5% 0603	0	R 195	not used	10k		CF 5% 0603
0	R 102	not used	82R		MF, 1%, 0204, E24	0	R 196	not used	10k		CF 5% 0603
0	R 103	not used	130R		MF, 1%, 0204, E24	0	R 197	57.60.1102	1k0		MF, 1%, 0204, E24
0	R 104	57.60.1109	1R		MF, 1%, 0204, E24	0	R 198	57.60.1100	10R		MF, 1%, 0204, E24
0	R 105	not used	1R		MF, 1%, 0204, E24	0	R 199	57.69.1097	10k		CF 5% 0603
0	R 106	57.60.1109	1R		MF, 1%, 0204, E24	0	R 200	57.69.1097	10k		CF 5% 0603
0	R 107	57.69.1097	10k		CF 5% 0603	0	R 201	57.60.1270	27R		MF, 1%, 0204, E24
0	R 108	57.69.1097	10k		CF 5% 0603	0	R 202	57.60.1270	27R		MF, 1%, 0204, E24
0	R 109	57.60.1680	68R		MF, 1%, 0204, E24	0	R 203	57.60.1270	27R		MF, 1%, 0204, E24
0	R 110	57.60.1181	180R		MF, 1%, 0204, E24	0	R 204	57.60.1270	27R		MF, 1%, 0204, E24
0	R 111	57.69.1097	10k		CF 5% 0603	0	R 205	57.60.1270	27R		MF, 1%, 0204, E24
0	R 112	57.69.1097	10k		CF 5% 0603	0	R 206	57.69.1097	10k		CF 5% 0603
0	R 113	57.69.1097	10k		CF 5% 0603	0	R 207	57.69.1097	10k		CF 5% 0603
0	R 114	57.69.1097	10k		CF 5% 0603	0	R 208	57.69.1097	10k		CF 5% 0603
0	R 115	57.60.1102	1k0		MF, 1%, 0204, E24	0	R 209	57.60.1331	330R		MF, 1%, 0204, E24
0	R 116	not used	82R		MF, 1%, 0204, E24	0	R 210	57.69.1097	10k		CF 5% 0603
0	R 117	not used	130R		MF, 1%, 0204, E24	0	R 211	57.69.1097	10k		CF 5% 0603
0	R 118	57.60.1102	1k0		MF, 1%, 0204, E24	0	R 212	57.69.1097	10k		CF 5% 0603
0	R 119	57.60.1102	1k0		MF, 1%, 0204, E24	0	R 213	57.69.1097	10k		CF 5% 0603
0	R 120	57.60.1109	1R		MF, 1%, 0204, E24	0	R 214	57.69.1097	10k		CF 5% 0603
0	R 121	not used	1R		MF, 1%, 0204, E24	0	R 215	not used	10k		CF 5% 0603
0	R 122	57.60.1109	1R		MF, 1%, 0204, E24	0	R 216	not used	10k		CF 5% 0603
0	R 123	57.60.1270	27R		MF, 1%, 0204, E24	0	R 217	57.69.1097	10k		CF 5% 0603
0	R 124	57.69.1097	10k		CF 5% 0603	0	R 218	57.60.1100	10R		MF, 1%, 0204, E24
0	R 125	57.69.1097	10k		CF 5% 0603	0	R 219	57.60.1471	470R		MF, 1%, 0204, E24
0	R 126	57.60.1109	1R		MF, 1%, 0204, E24	0	R 220	57.60.1270	27R		MF, 1%, 0204, E24
0	R 127	57.60.1109	1R		MF, 1%, 0204, E24	0	R 221	57.60.1270	27R		MF, 1%, 0204, E24
0	R 128	57.60.1109	1R		MF, 1%, 0204, E24	0	R 222	57.60.1270	27R		MF, 1%, 0204, E24
0	R 129	57.69.1097	10k		CF 5% 0603	0	R 223	57.60.1104	100k		MF, 1%, 0204, E24
0	R 130	57.69.1097	10k		CF 5% 0603	0	R 224	57.60.1104	100k		MF, 1%, 0204, E24
0	R 131	57.60.1270	27R		MF, 1%, 0204, E24	0	R 225	57.69.1097	10k		CF 5% 0603
0	R 132	57.60.1270	27R		MF, 1%, 0204, E24	0	R 226	57.69.1097	10k		CF 5% 0603
0	R 133	57.60.1270	27R		MF, 1%, 0204, E24	0	R 227	57.69.1097	10k		CF 5% 0603
0	R 134	57.60.1270	27R		MF, 1%, 0204, E24	0	R 228	57.69.1097	10k		CF 5% 0603
0	R 135	57.60.1270	27R		MF, 1%, 0204, E24	0	R 229	not used	1R		MF, 1%, 0204, E24
0	R 136	57.60.1270	27R		MF, 1%, 0204, E24	0	R 230	57.69.1097	10k		CF 5% 0603
0	R 137	57.69.1097	10k		CF 5% 0603	0	R 231	57.69.1097	10k		CF 5% 0603
0	R 138	57.69.1097	10k		CF 5% 0603	0	R 232	not used	82R		MF, 1%, 0204, E24
0	R 139	57.69.1097	10k		CF 5% 0603	0	R 233	not used	130R		MF, 1%, 0204, E24
0	R 140	57.60.1270	27R		MF, 1%, 0204, E24	0	R 234	not used	82R		MF, 1%, 0204, E24
0	R 141	57.69.1097	10k		CF 5% 0603	0	R 235	not used	130R		MF, 1%, 0204, E24
0	R 142	57.69.1097	10k		CF 5% 0603	0	R 236	57.69.1097	10k		CF 5% 0603
0	R 143	57.69.1097	10k		CF 5% 0603	0	R 239	57.69.1097	10k		CF 5% 0603
0	R 144	57.69.1097	10k		CF 5% 0603	0	R 240	57.60.1109	1R		MF, 1%, 0204, E24
0	R 145	57.60.1820	82R		MF, 1%, 0204, E24	0	R 241	57.60.1270	27R		MF, 1%, 0204, E24
0	R 146	57.60.1131	130R		MF, 1%, 0204, E24	0	R 242	57.60.1270	27R		MF, 1%, 0204, E24
0	R 147	57.69.1097	10k		CF 5% 0603	0	R 243	57.60.1270	27R		MF, 1%, 0204, E24
0	R 148	57.69.1097	10k		CF 5% 0603	0	R 244	57.69.1097	10k		CF 5% 0603
0	R 149	57.69.1097	10k		CF 5% 0603	0	R 245	57.69.1097	10k		CF 5% 0603
0	R 150	57.69.1097	10k		CF 5% 0603	0	R 246	57.69.1097	10k		CF 5% 0603
0	R 151	57.69.1097	10k		CF 5% 0603	0	R 247	57.69.1097	10k		CF 5% 0603
0	R 153	57.69.1097	10k		CF 5% 0603	0	R 248	57.69.1097	10k		CF 5% 0603
0	R 154	57.69.1097	10k		CF 5% 0603	0	R 249	not used	1k0		CF 5% 0603
0	R 155	57.60.1102	1k0		MF, 1%, 0204, E24	0	R 250	57.69.1097	10k		CF 5% 0603
0	R 156	57.69.1097	10k		CF 5% 0603	0	R 251	57.69.1097	10k		CF 5% 0603
0	R 157	57.60.1270	27R		MF, 1%, 0204, E24	0	R 252	not used	1k0		MF, 1%, 0204, E24
0	R 158	57.60.1220	22R		MF, 1%, 0204, E24	0	R 253	not used	82R		MF, 1%, 0204, E24
0	R 159	57.60.1270	27R		MF, 1%, 0204, E24	0	R 254	not used	130R		MF, 1%, 0204, E24
0	R 160	57.60.1220	22R		MF, 1%, 0204, E24	0	R 255	not used	82R		MF, 1%, 0204, E24
0	R 161	57.60.1820	82R		MF, 1%, 0204, E24	0	R 256	not used	130R		MF, 1%, 0204, E24
0	R 162	57.60.1131	130R		MF, 1%, 0204, E24	0	R 257	not used	1k0		CF 5% 0603
0	R 163	57.69.1097	10k		CF 5% 0603	0	R 258	not used	1k0		CF 5% 0603
0	R 164	57.69.1097	10k		CF 5% 0603	0	R 259	57.69.1097	10k		CF 5% 0603
0	R 165	57.69.1097	10k		CF 5% 0603	0	R 260	57.69.1097	10k		CF 5% 0603
0	R 166	57.60.1222	2k2		MF, 1%, 0204, E24	0	R 261	57.69.1097	10k		CF 5% 0603
0	R 167	57.60.1222	2k2		MF, 1%, 0204, E24	0	R 262	not used	1k0		CF 5% 0603
0	R 168	57.60.1222	2k2		MF, 1%, 0204, E24	0	R 263	57.60.1102	1k0		MF, 1%, 0204, E24
0	R 169	57.60.1222	2k2		MF, 1%, 0204, E24	0	R 264	57.60.1102	1k0		MF, 1%, 0204, E24
0	R 170	57.60.1680	68R		MF, 1%, 0204, E24	0	R 265	not used	1k0		MF, 1%, 0204, E24
0	R 171	57.60.1270	27R		MF, 1%, 0204, E24	0	R 266	not used	1k0		MF, 1%, 0204, E24
0	R 172	57.60.1100	10R		MF, 1%, 0204, E24	0	R 267	57.69.1097	10k		CF 5% 0603
0	R 173	57.69.1097	10k		CF 5% 0603	0	R 268	57.69.1097	10k		CF 5% 0603
0	R 174	57.60.1109	1R		MF, 1%, 0204, E24	0	R 269	57.69.1097	10k		CF 5% 0603
0	R 175	not used	130R		MF, 1%, 0204, E24	0	R 270	57.69.1097	10k		CF 5% 0603
0	R 176	57.60.1820	82R		MF, 1%, 0204, E24	0	R 271	not used	1R		MF, 1%, 0204, E24
0	R 177	57.69.1097	10k		CF 5% 0603	0	R 272	57.69.1097	10k		CF 5% 0603
0	R 178	not used	10k		CF 5% 0603	0	R 273	57.60.1105	1M		MF, 1%, 0204, E24
0	R 179	not used	10k		CF 5% 0603	0	R 274	not used	1k0		MF, 1%, 0204, E24
0	R 180	57.60.1270	27R		MF, 1%, 0204, E24	0	R 275	57.69.1097	10k		CF 5% 0603

MEMNET Board 96k 1.950.621.20 (0)

Idx.	Pos.	Part No.	Qty.	Type/Val.	Description	Idx.	Pos.	Part No.	Qty.	Type/Val.	Description
0	R 276	not used		56R	MF, 1%, 0204, E24						
0	R 277	not used		56R	MF, 1%, 0204, E24						
0	R 278	not used		56R	MF, 1%, 0204, E24						
0	R 279	57.69.1097		10k	CF 5% 0603						
0	R 280	57.69.1097		10k	CF 5% 0603						
0	R 281	57.69.1097		10k	CF 5% 0603						
0	R 282	57.69.1097		10k	CF 5% 0603						
0	R 283	57.69.1097		10k	CF 5% 0603						
0	R 284	57.69.1097		10k	CF 5% 0603						
0	R 285	57.69.1097		10k	CF 5% 0603						
0	R 286	57.69.1097		10k	CF 5% 0603						
0	R 287	57.60.1109		1R	MF, 1%, 0204, E24						
0	R 288	57.60.1109		1R	MF, 1%, 0204, E24						
0	R 289	not used		1R	MF, 1%, 0204, E24						
0	R 290	57.69.1097		10k	CF 5% 0603						
0	R 291	57.60.1109		1R	MF, 1%, 0204, E24						
0	R 292	57.60.1109		1R	MF, 1%, 0204, E24						
0	R 293	57.60.1109		1R	MF, 1%, 0204, E24						
0	R 294	57.69.1097		10k	CF 5% 0603						
0	S 1	55.12.1121			Code-Switch						
0	S 2	55.12.1121			Code-Switch						
0	S 3	55.15.0138		1*A	S 1 TASTE, 1*A,IMPULS,1.0 N						
0	T 2	1.022.647.00		1:1.4	OUTPUT TRAF0 AES/EBU						
0	T 3	1.022.647.00		1:1.4	OUTPUT TRAF0 AES/EBU						
0	T 4	1.022.647.00		1:1.4	OUTPUT TRAF0 AES/EBU						
0	T 5	1.022.647.00		1:1.4	OUTPUT TRAF0 AES/EBU						
0	T 7	1.022.647.00		1:1.4	OUTPUT TRAF0 AES/EBU						
0	X 1	89.60.2001		12.5MHz	XTAL Oscillator						
0	X 2	89.01.1601		12.288MHz	TCXO Xtal-Oscillator temp comp						
0	XDL 3	53.03.0165		20p	DIL 0.3", lot, gerade						
0	XIC 1	1.950.930.25			SW605/10/16/21 RTOSBOOT(.1301)						
0	XIC 7	53.03.0166		8p	DIL 0.3", lot, gerade						
0	XIC 44	53.03.0166		8p	DIL 0.3", lot, gerade						
0	XIC 66	53.03.0166		8p	DIL 0.3", lot, gerade						
0	XR 1	57.60.1109		1R	MF, 1%, 0204, E24						
0	XR 2	not used		1R	MF, 1%, 0204, E24						
0	XR 16	57.60.1102		1k0	MF, 1%, 0204, E24						
0	XR 19	57.60.1102		1k0	MF, 1%, 0204, E24						
0	XR 21	not used		1k0	MF, 1%, 0204, E24						
0	XXIC 1	53.03.2232		32p	PLCC-Socket						
0	Y 1	89.01.1017		1.8432MHz	XTAL HC49U						
0	Y 2	89.60.2004		40.0MHz	XTAL Oscillator						

End of List

CIRCUIT DIAGRAMS: D19m FRAMES

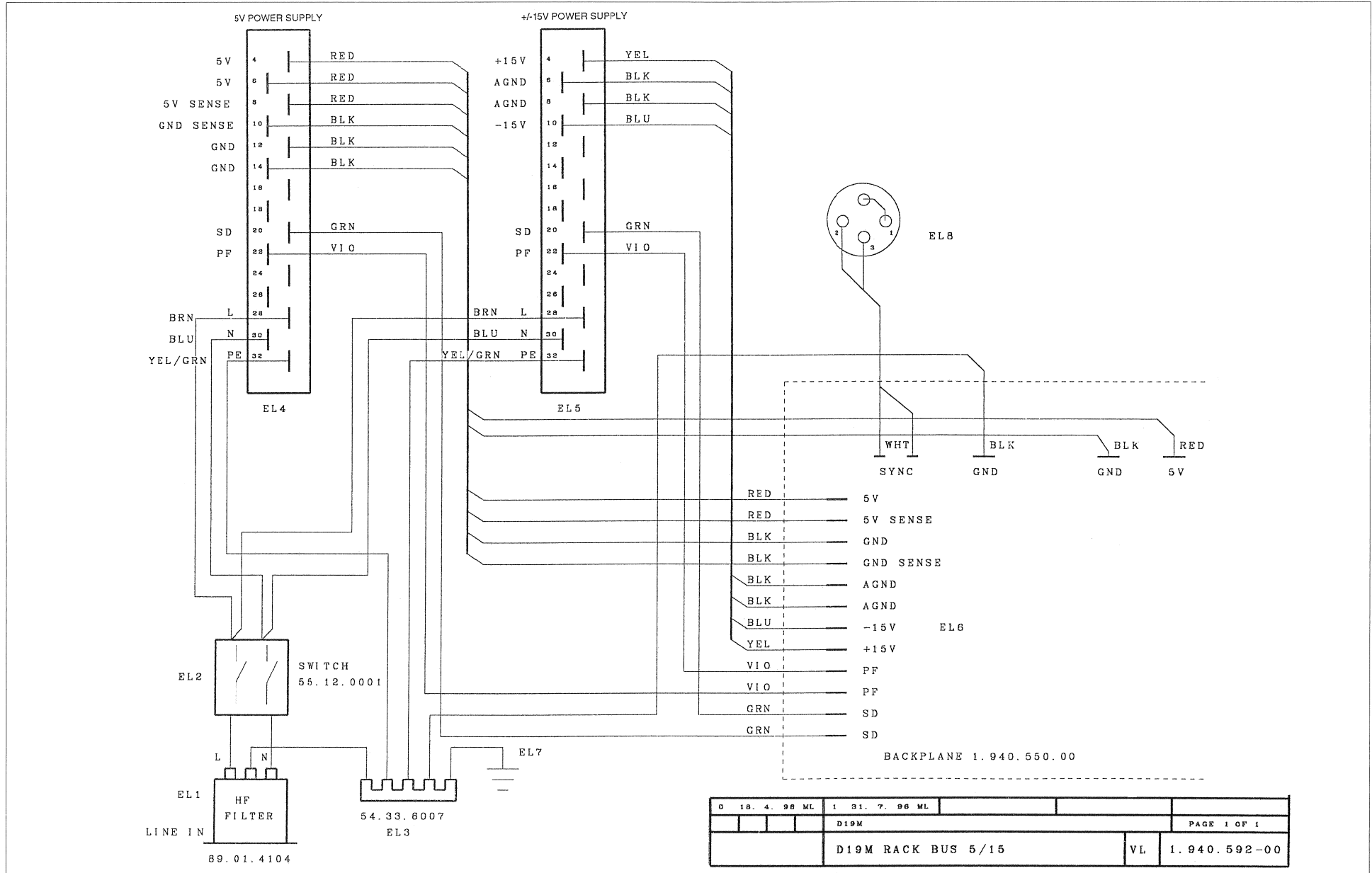
3U Frames

D19m Rack Bus 5/15	1.940.592
Back Plane (<i>cannot be used with RCC and MP4RC cards</i>).	1.940.550
Back Plane	1.940.551
Power Supply 5 V/16 A.....	1.940.606
Power Supply ± 15 V/3.5 A.....	1.940.607
Supply Status Board.....	1.940.589
Supply Status Board.....	1.940.593
Power Distributor ± 15 V + Diode	1.940.623
Power Distributor 5/24 V + Diode	1.940.624
Supply Board	1.940.410
Supply Board, Redundant Output.....	1.940.411
Supply Board, Redundant Input	1.940.412
Control Connection.....	1.940.630
D19m Sync Receiver	1.940.557
Optical/Coax Interface.....	1.940.558
RS422-to-Optical Converter	1.940.577
RS422-to-Optical Converter	1.940.579
Fan Regulation	1.940.596

1U Frame

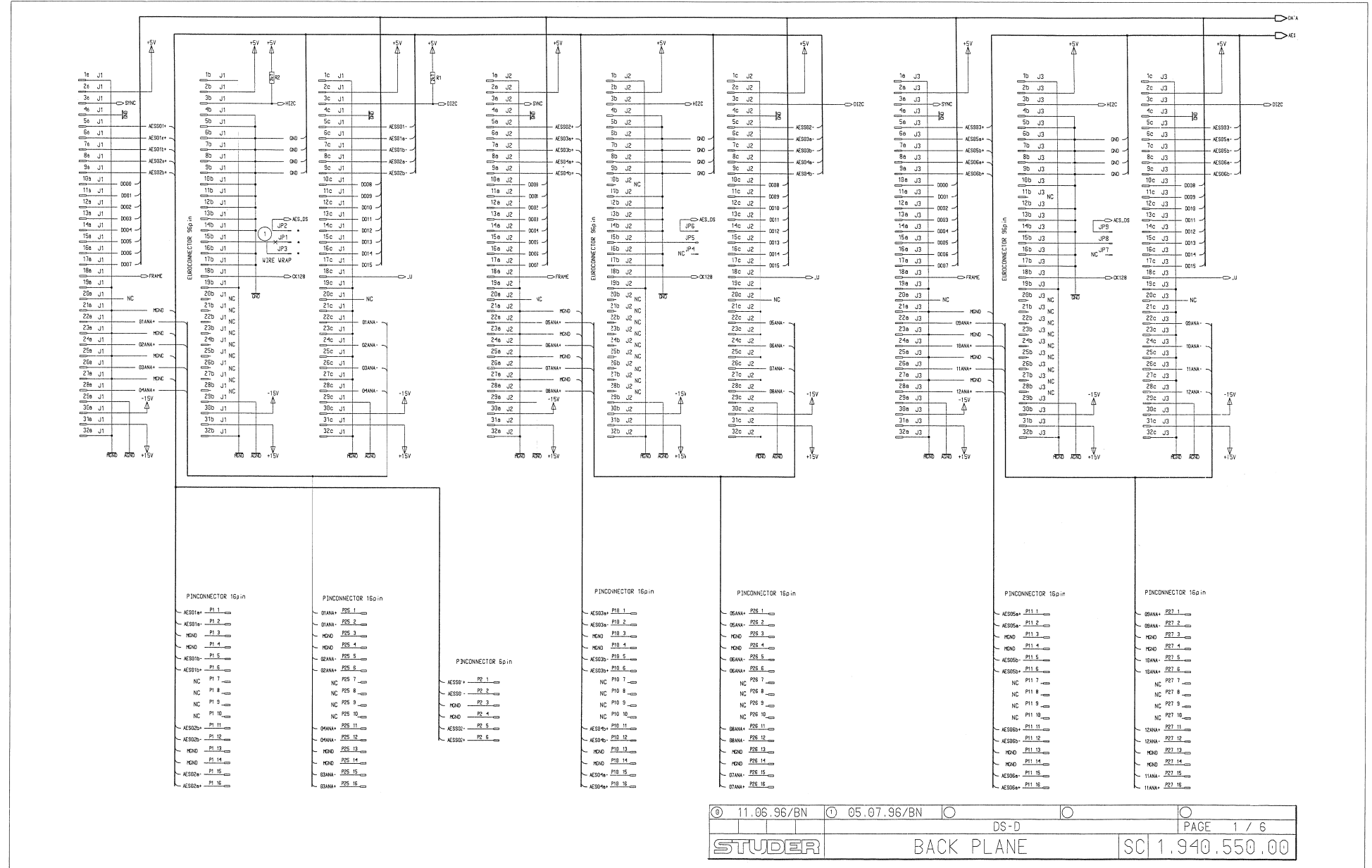
Back Plane	1.940.553
Supply Board	1.940.578

D19M Rack Bus 5/15 1.940.592.00

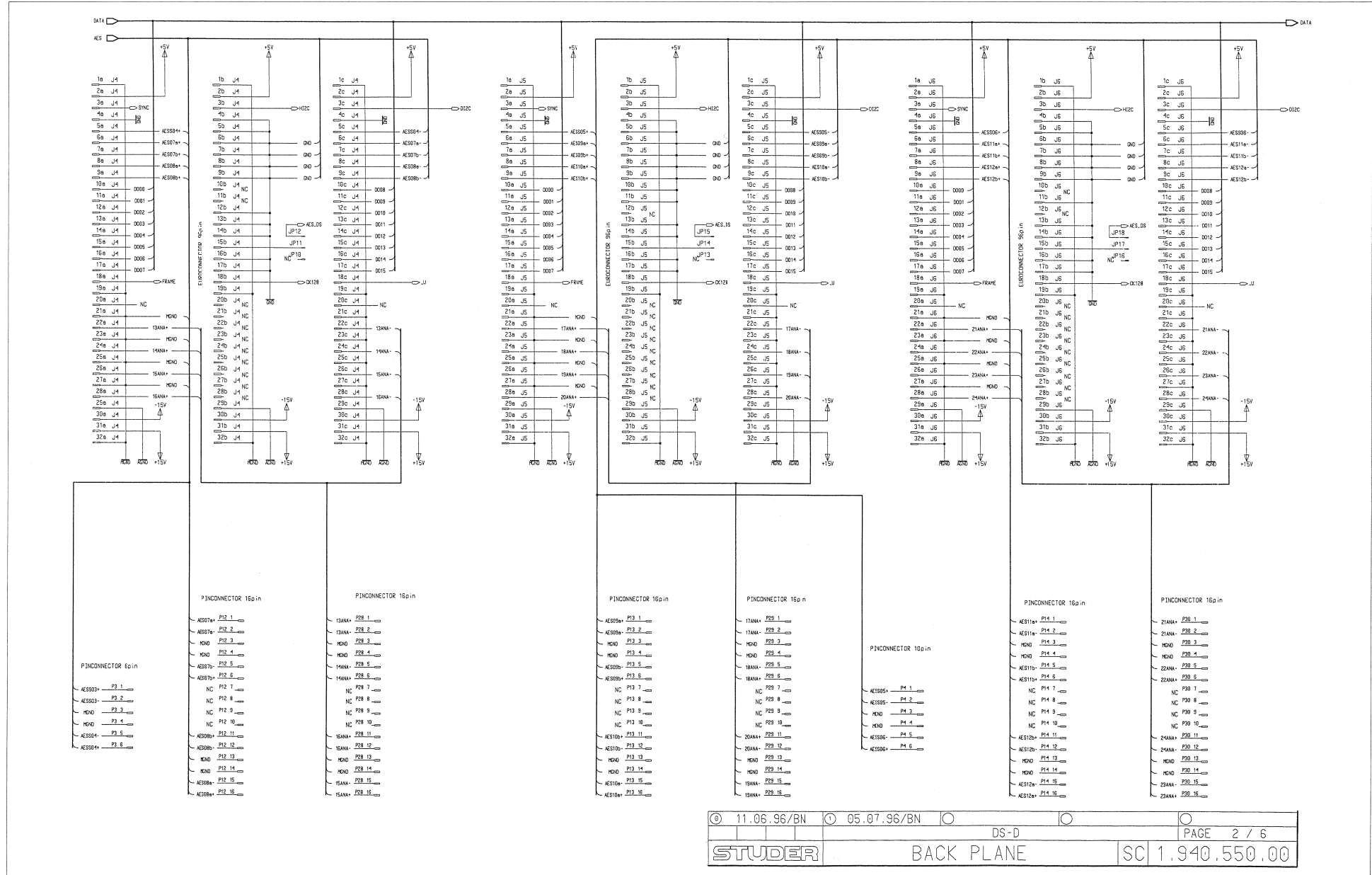


0	18.4.98 ML	1	31.7.98 ML		
D19M			PAGE 1 OF 1		
D19M RACK BUS 5/15				VL	1.940.592-00

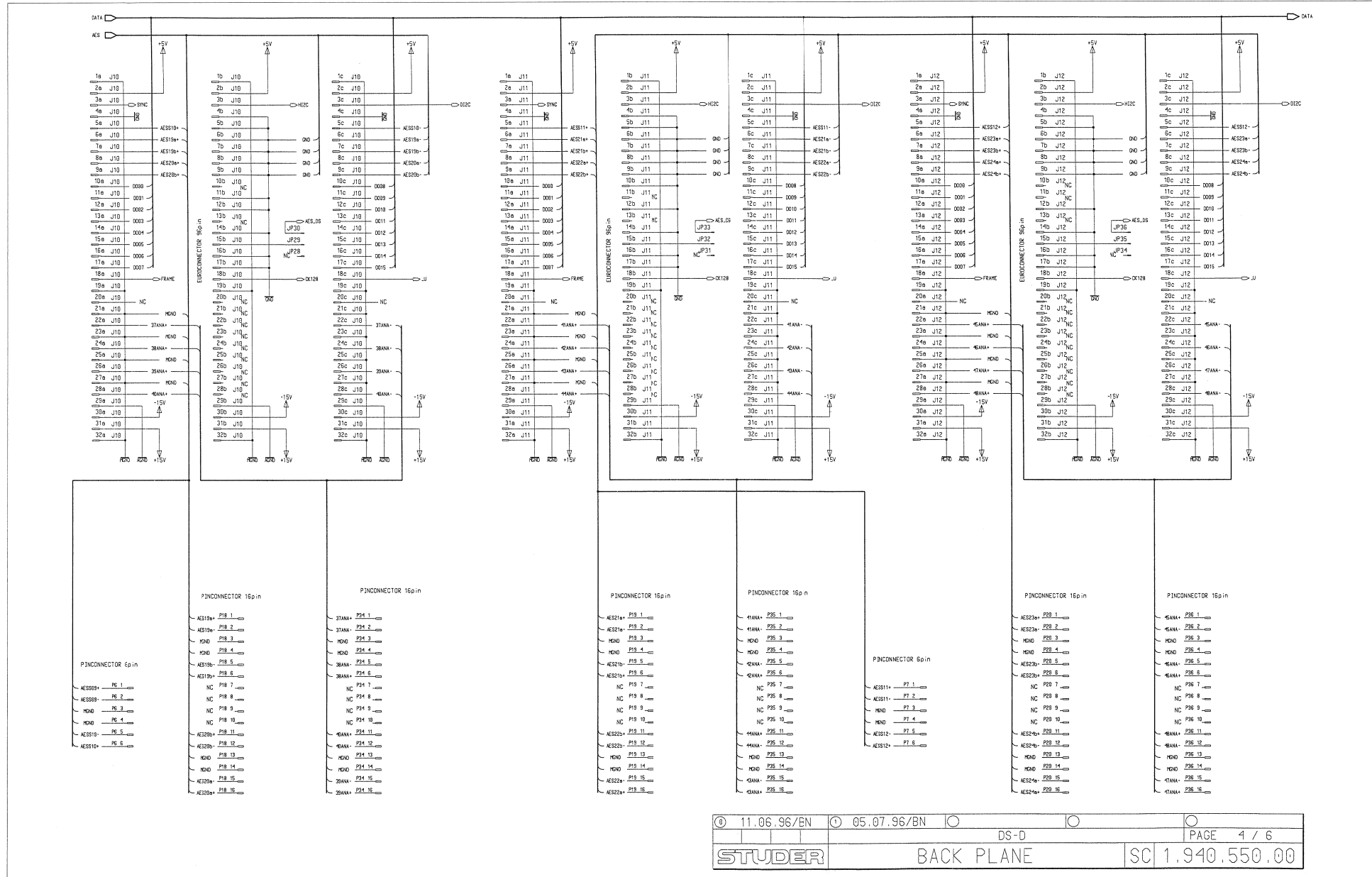
Back Plane 1.940.550.00



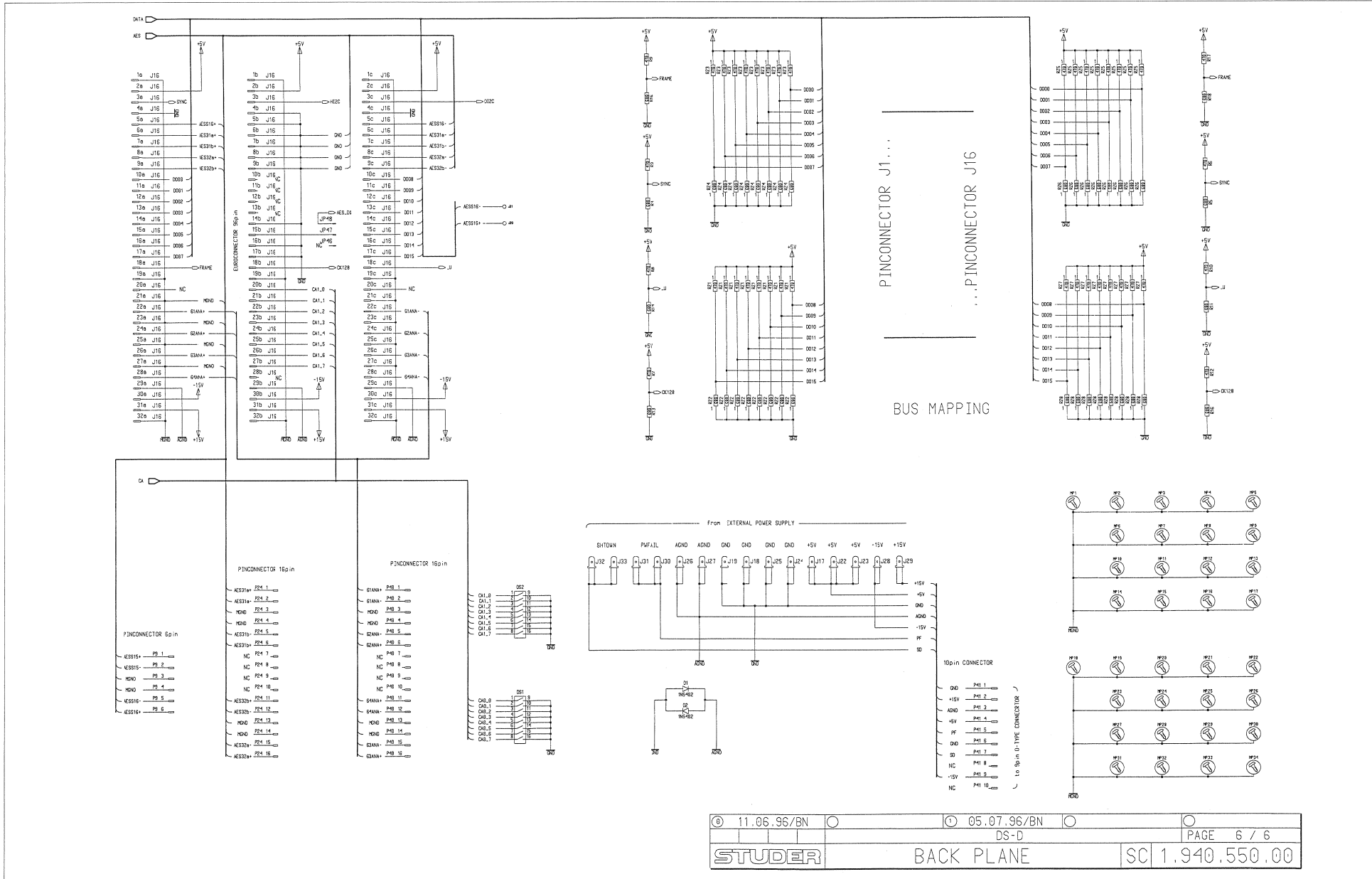
Back Plane 1.940.550.00



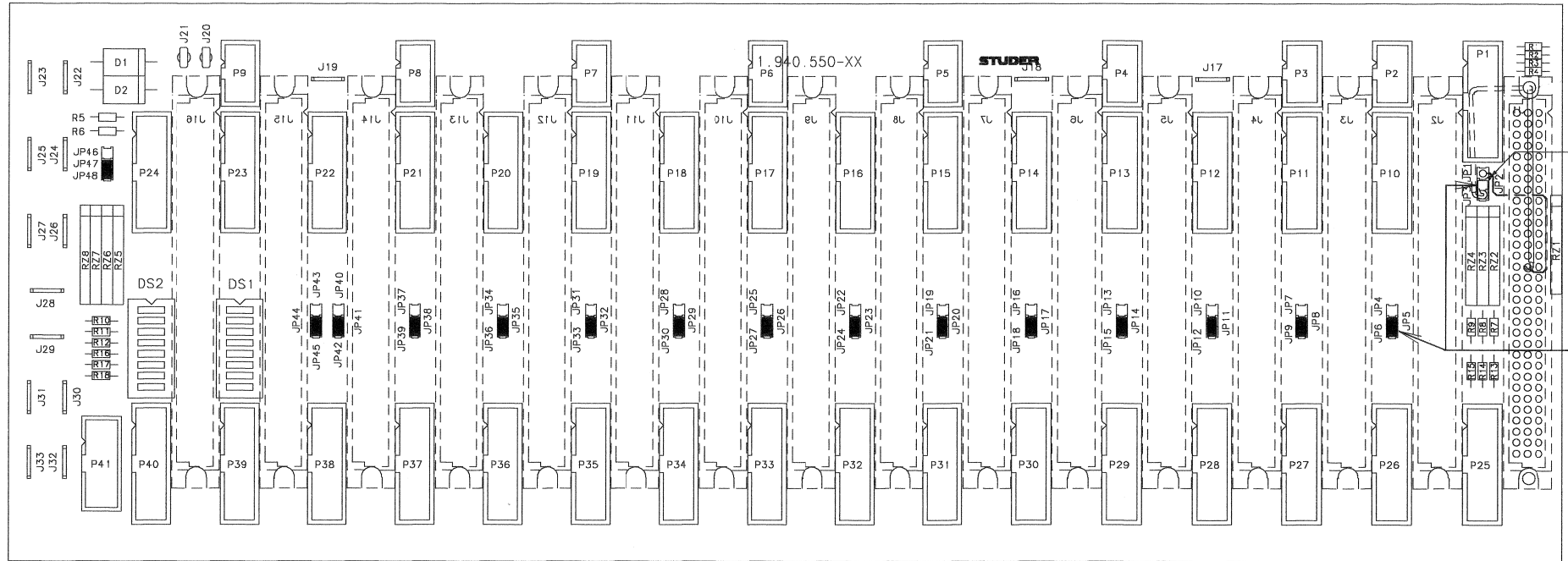
Back Plane 1.940.550.00



Back Plane 1.940.550.00



Back Plane 1.940.550.00



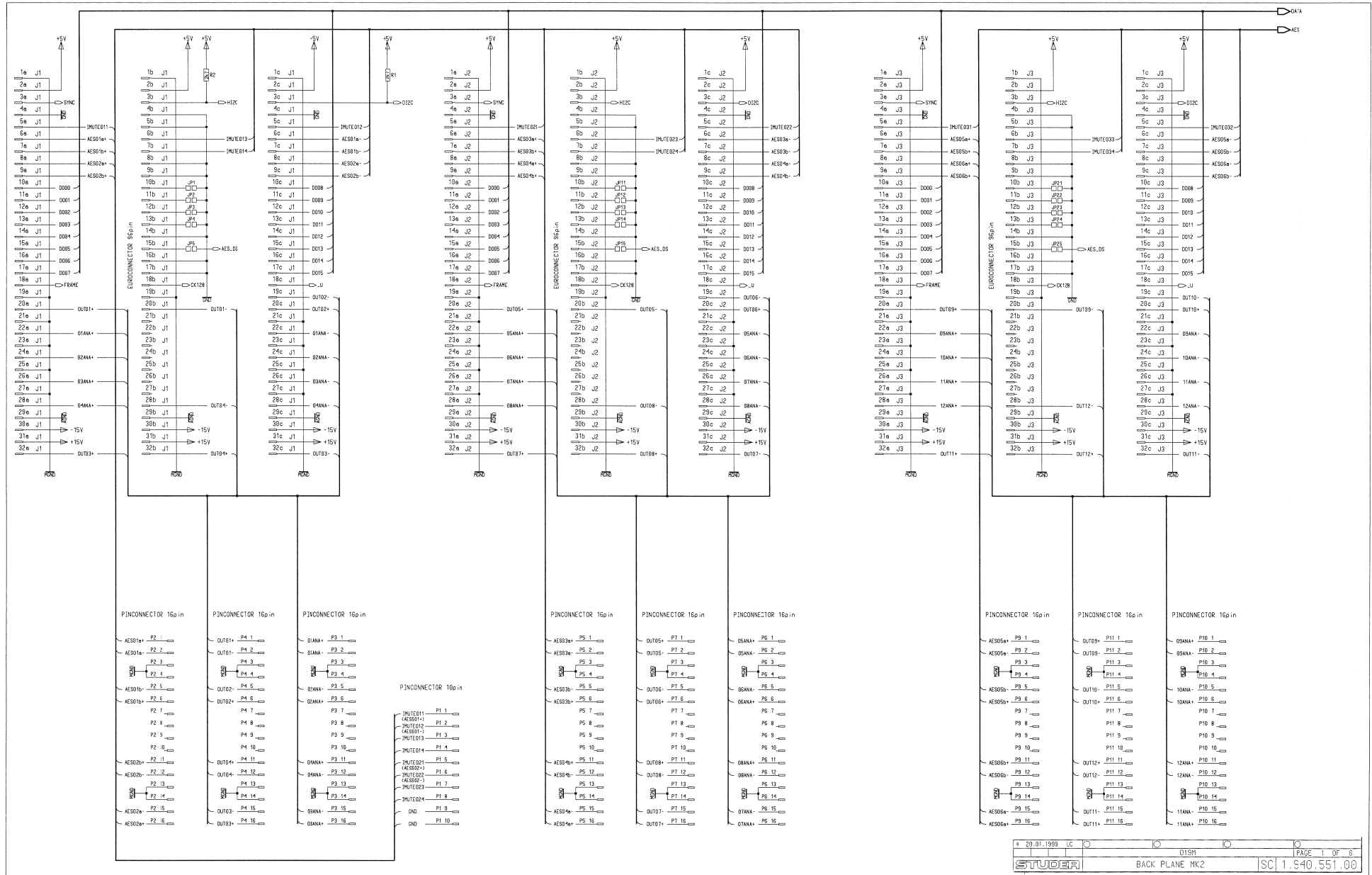
MP3...MP18 on JP1...JP48 fitted

Cut PC-track

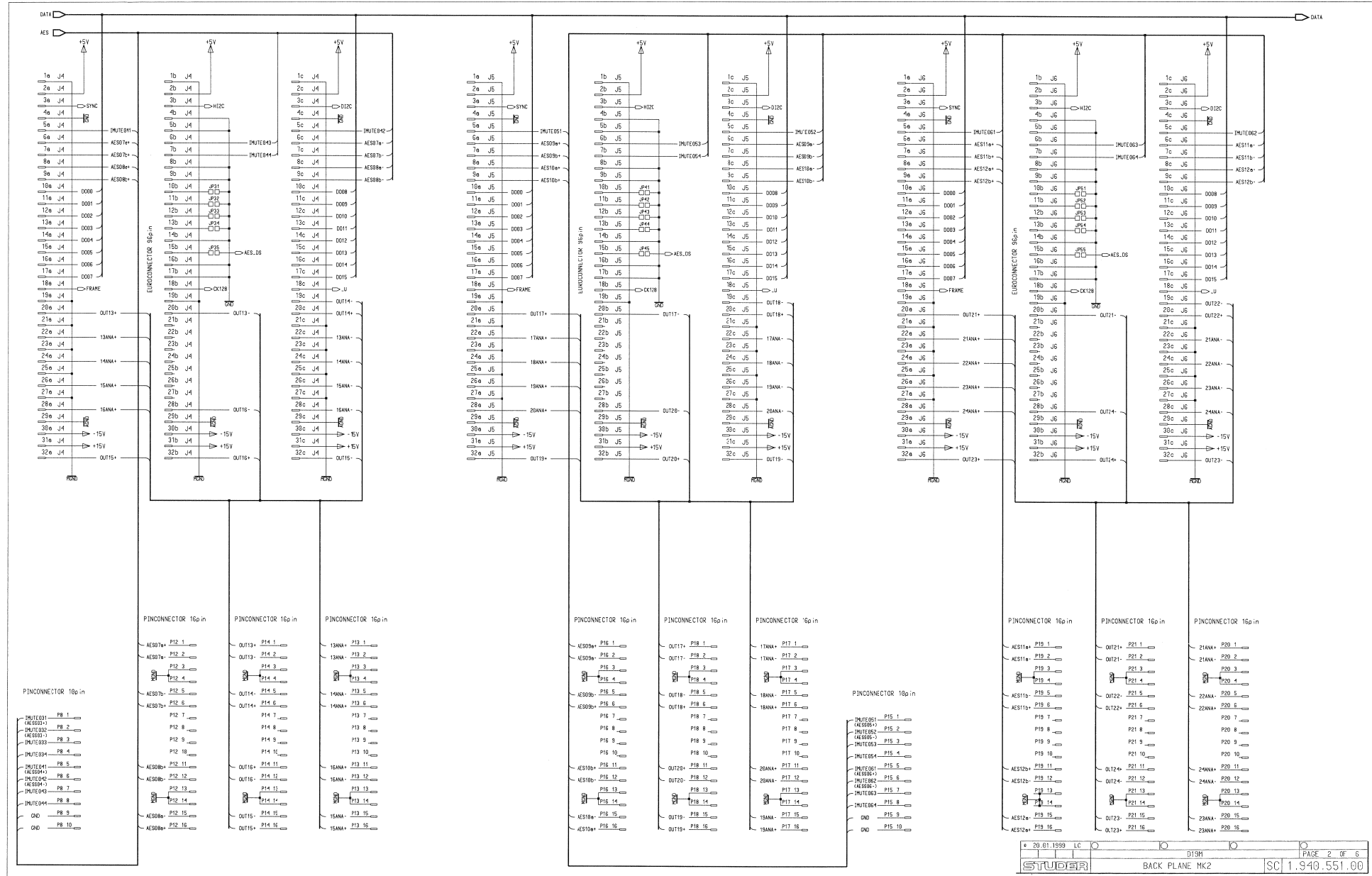
MP 1

Author
Checked
Released	05.07.96	BN
Version	11.06.96	BN
Copy to:
Copy to:

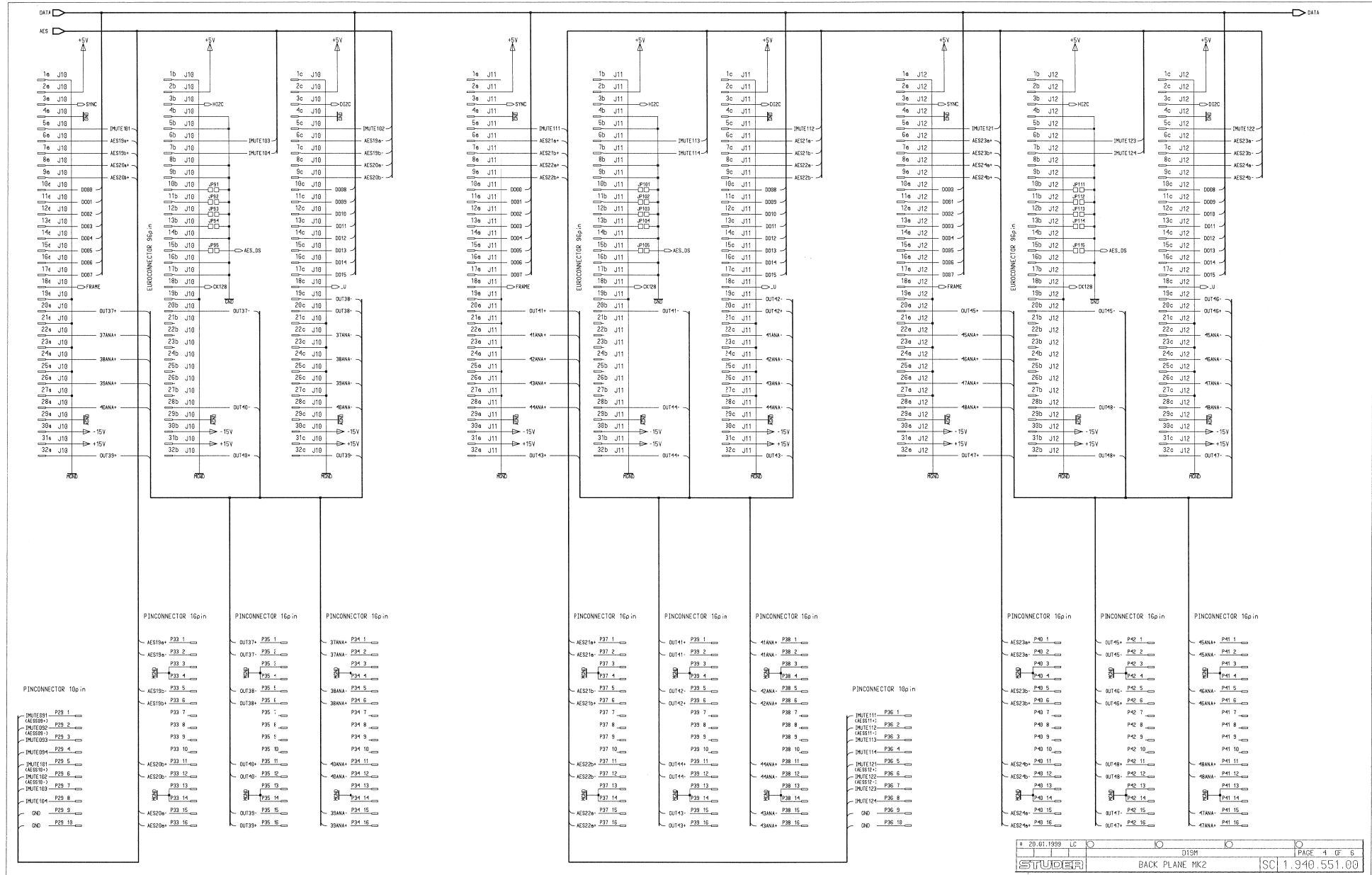
Back Plane MK2 1.940.551.00



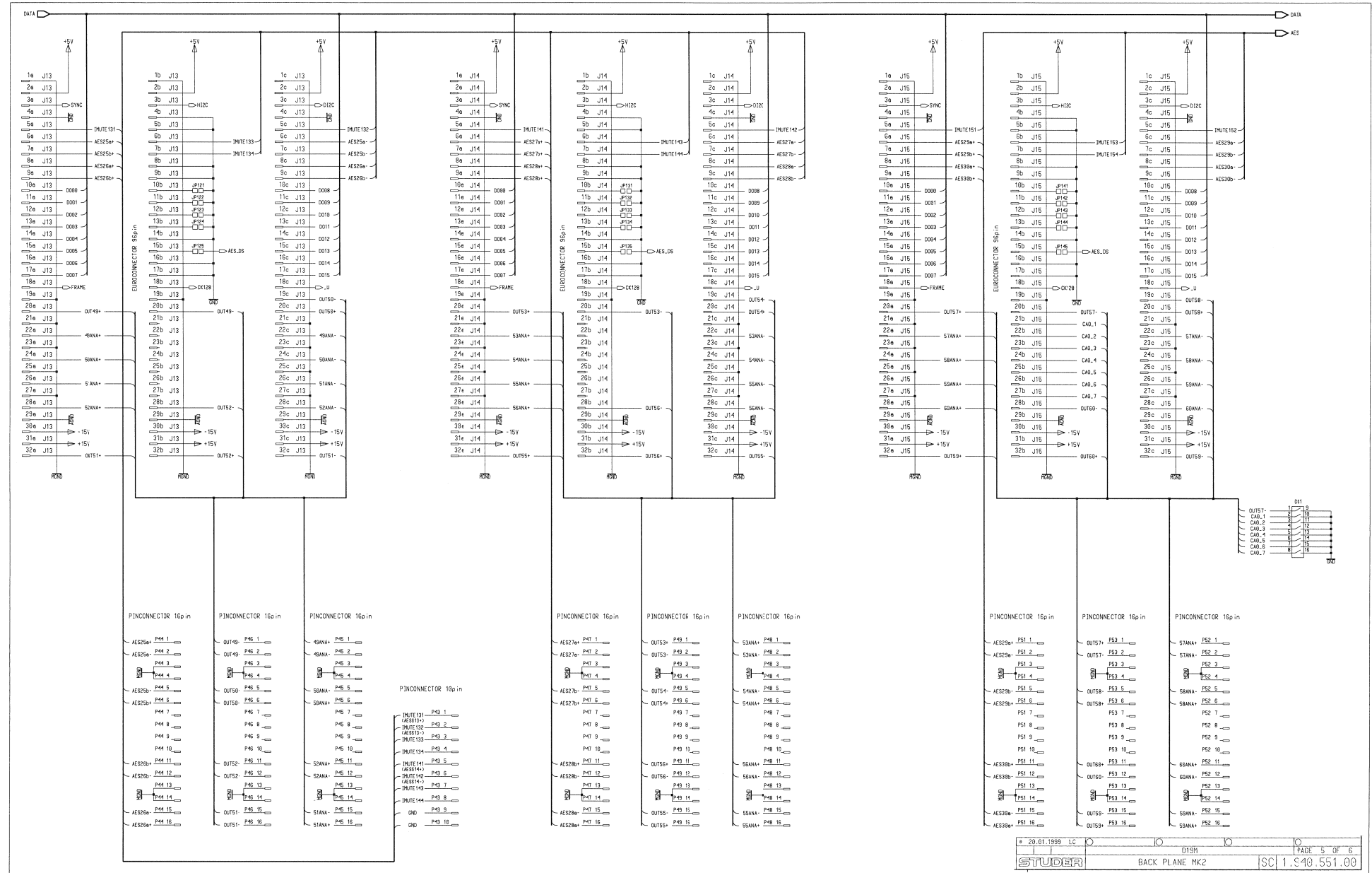
Back Plane MK2 1.940.551.00



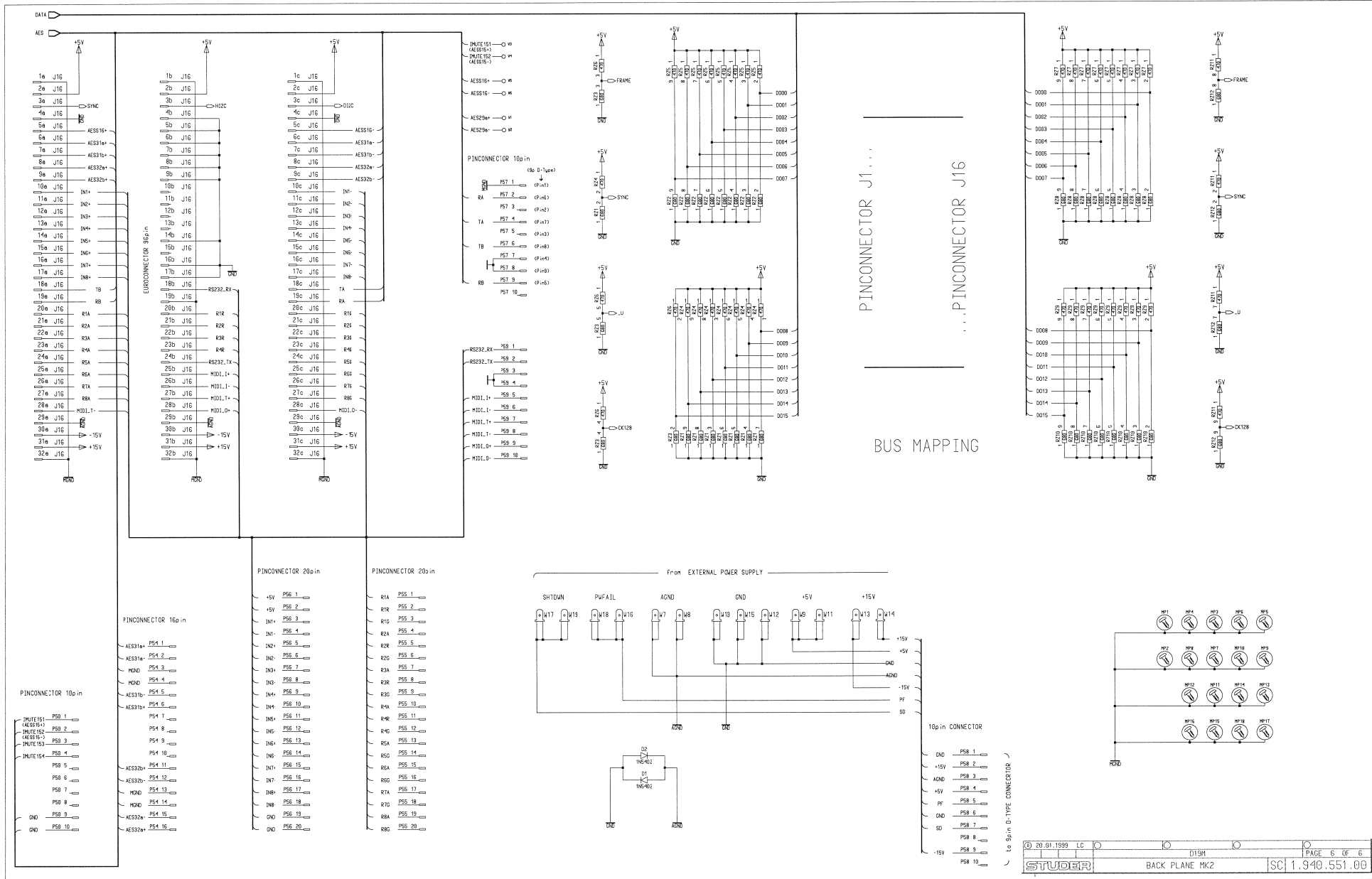
Back Plane MK2 1.940.551.00



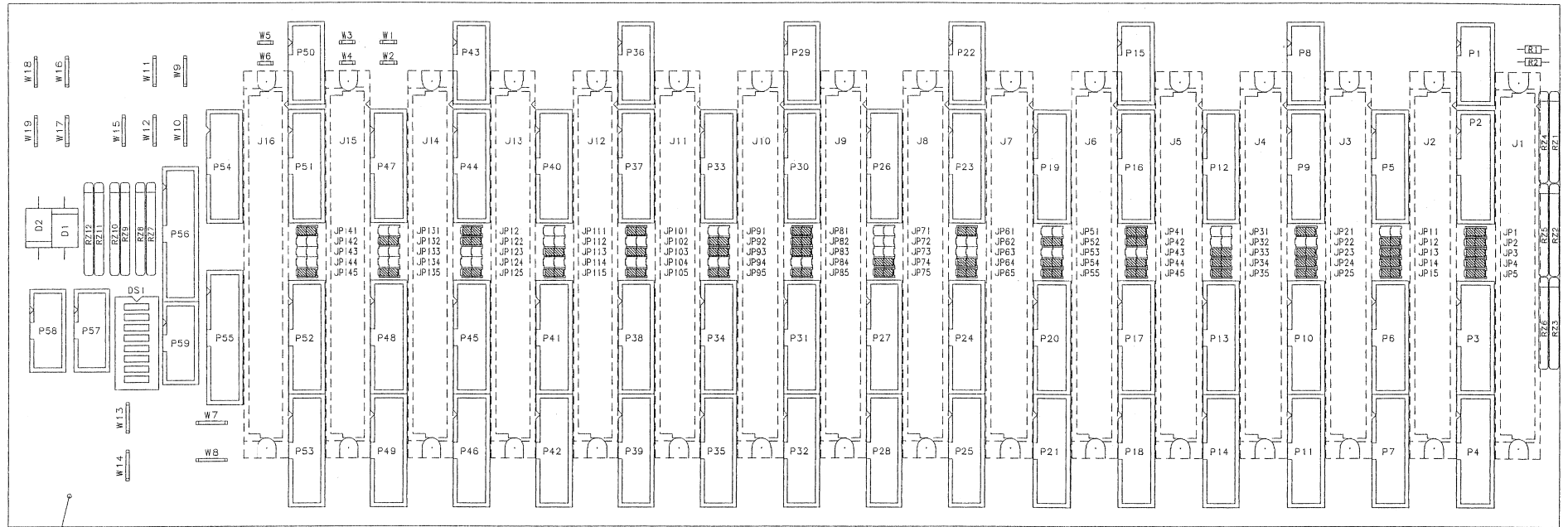
Back Plane MK2 1.940.551.00



Back Plane MK2 1.940.551.00



Back Plane MK2 1.940.551.00



MP1

Revision:	03.02.1999	LC							
Date:									
Drawn:									
Checked:									
Index:									

POWER SUPPLY UNITS

General For the power supply of the D19m frames, standard 19" units with power factor correction are used, equipped with a Studer front panel (earlier version: see next page).

Studer Part No.	Description
1.940.606.00	Power Supply 5 V/16 A
1.940.607.00	Power Supply ± 15 V/3.5 A

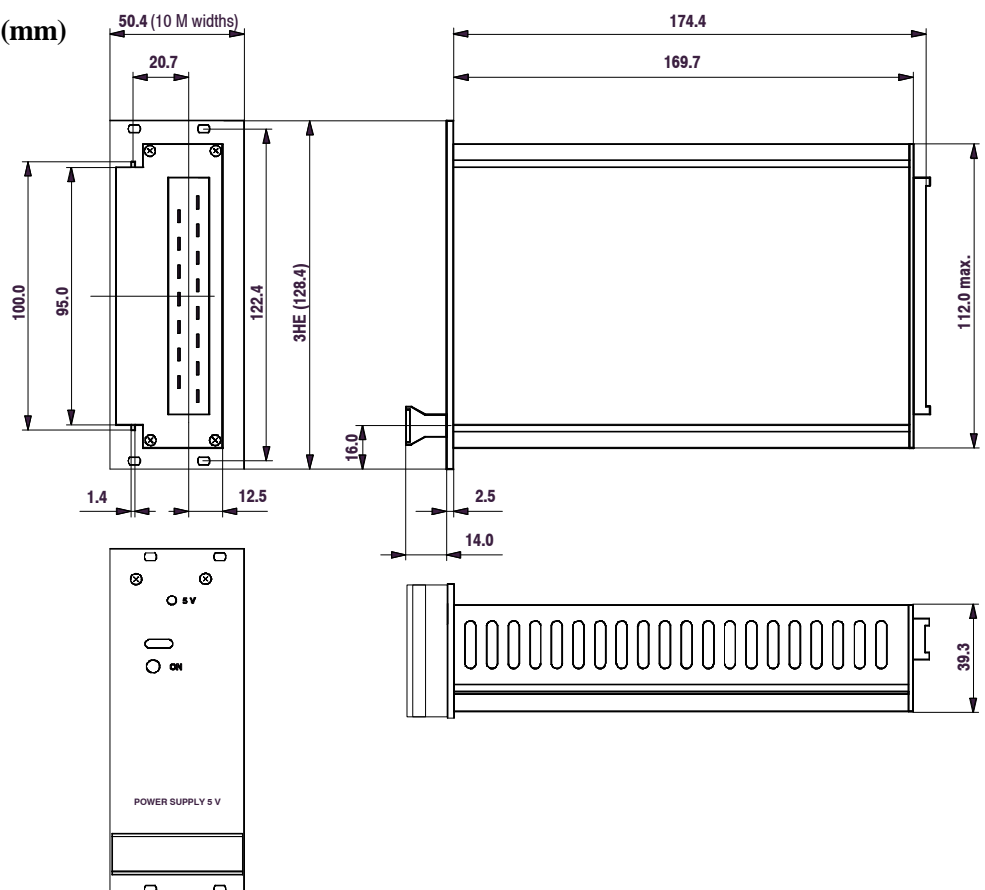


Important As the power supply units are safety-relevant parts, they may be serviced only by authorized personnel using original spare parts. For replacement or repair, contact your nearest Studer representative.

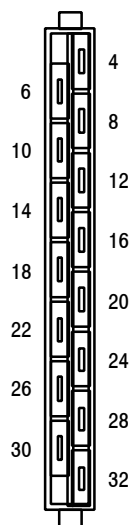
Specifications

- Mains Voltage** 88...264 V
- Mains Frequency** 45...65 Hz
- Efficiency** > 77%
- Output Power** 100 W total
- Output(s)** Short-circuit protected, main output(s) overload protected (110%)
- Power Down (Logic Inhibit)** Control input, 4...15 V_{DC}, max. 15 mA, active high
- Power Fail** Output, open collector, active high (max. 30 V/1 mA)

Dimensions (mm)



Pin Assignment



Pin	Single Output (1.940.606.00)	Dual Output (1.940.607.00)
4	+5 V	n.c.
6	GND	n.c.
8	Sense GND	n.c.
10	Sense +	n.c.
12	+5 V	+15 V
14	GND	GND
16	n.c.	GND
18	n.c.	-15 V
20	Logic inhibit	Logic inhibit
22	Common	Common
24	Power fail	Power fail
26	n.c.	n.c.
28	AC live	AC live
30	AC neutral	AC neutral
32	AC Protective Earth	AC Protective Earth

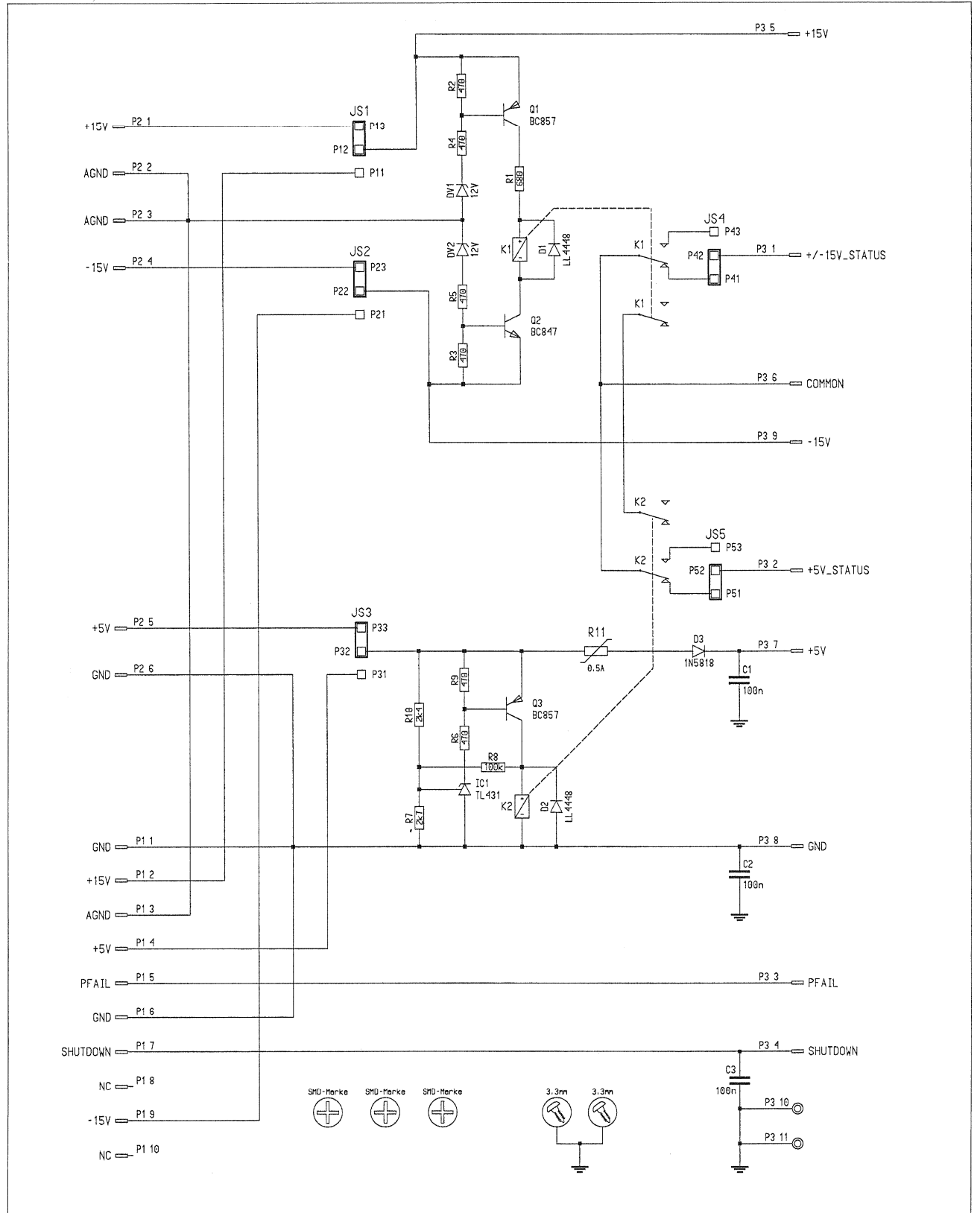
Connections

Current Version: The current versions of the 3U frames use one *power supply unit* 1.940.606 (+5 V) and 1.940.607 (± 15 V) each, together with one of the *Supply Boards* 1.940.410 (single frame), 1.940.411 (frame with redundant supply output), or 1.940.412 (frame with redundant supply input).

Earlier Version: In earlier versions of the 3U frames, one *power supply unit* 1.940.601 (+5 V) and 1.940.602 (± 15 V) each was used. For connection, a *Supply Status Board* (1.940.589 or 1.940.593) was used, together with one *Power Distributor +5/24 V w. Diode PCB* (1.940.624), and one *Power Distributor ± 15 V w. Diode PCB* (1.940.623).



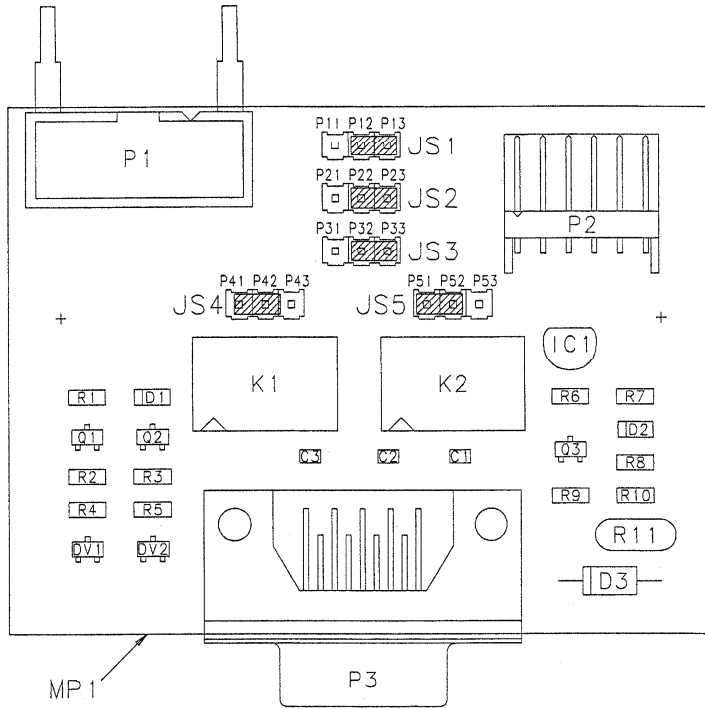
Supply Status Board I.940.589.00



0	07.10.1999	ZT	○	○	○	○	PAGE 1 OF 1
STUDER		SUPPLY STATUS BOARD			SC	I.940.589.00	



Supply Status Board 1.940.589.00



Modification					③
Aenderung					②
Edition	07.10.1999	ZT			①
Ausgabe	Date	Viso	Checked	Seen	Index
	Datum	Bez.	Gepr.	Gez.	
Copy to:					
Kopie fuer:					
Number:	1.940.589.00				
Number:					

Idx	Pos.	Part No.	Qty.	Type/Val.	Description
0	C 1	59.60.3337		100n	CER 50V, 10%, X7R, 0805
0	C 2	59.60.3337		100n	CER 50V, 10%, X7R, 0805
0	C 3	59.60.3337		100n	CER 50V, 10%, X7R, 0805
0	D 1	50.60.8001		4448	200mA 75V 4ns SOD 80
0	D 2	50.60.8001		4448	200mA 75V 4ns SOD 80
0	D 3	50.04.0512		1N5818	D 1N 5818, 1N 5819,
0	DV 1	50.60.9019		12V	5%, 0.2W, SOT 23
0	DV 2	50.60.9019		12V	5%, 0.2W, SOT 23
0	IC 1	50.10.0106		TL431	Shunt regulator
0	JS 1	54.01.0021		Jumper	0.63 * 0.63mm
0	JS 2	54.01.0021		Jumper	0.63 * 0.63mm
0	JS 3	54.01.0021		Jumper	0.63 * 0.63mm
0	JS 4	54.01.0021		Jumper	0.63 * 0.63mm
0	JS 5	54.01.0021		Jumper	0.63 * 0.63mm
0	K 1	56.04.0197		2u	24V 125V 2A Ag/Au
0	K 2	56.04.0198		2u	5V 125V 2A Ag/Au
0	MP 1	1.940.589.11	mp		SUPPLY STATUS PCB
0	MP 2	1.940.589.10	mp		Nr.-Etikette 5 * 20
0	MP 3	43.01.0108	mp	Label	ESE-WARNSCHILD
0	P 1	54.14.2101		10p	P STECKER 10 P,AU,VR,GERADE
0	P 2	54.12.0726		6p	Stecker winkel PCB
0	P 3	54.13.0071		9p	D-Sub, PCB, Winkel
0	P 11	54.01.0020		1p	Pin 0.63*0.63
0	P 12	54.01.0020		1p	Pin 0.63*0.63
0	P 13	54.01.0020		1p	Pin 0.63*0.63
0	P 21	54.01.0020		1p	Pin 0.63*0.63
0	P 22	54.01.0020		1p	Pin 0.63*0.63
0	P 23	54.01.0020		1p	Pin 0.63*0.63
0	P 31	54.01.0020		1p	Pin 0.63*0.63
0	P 32	54.01.0020		1p	Pin 0.63*0.63
0	P 33	54.01.0020		1p	Pin 0.63*0.63
0	P 41	54.01.0020		1p	Pin 0.63*0.63
0	P 42	54.01.0020		1p	Pin 0.63*0.63
0	P 43	54.01.0020		1p	Pin 0.63*0.63
0	P 51	54.01.0020		1p	Pin 0.63*0.63
0	P 52	54.01.0020		1p	Pin 0.63*0.63
0	P 53	54.01.0020		1p	Pin 0.63*0.63
0	Q 1	50.60.1001		BC857B	PNP 45V 100mA SOT 23
0	Q 2	50.60.0001		BC847B	NPN 45V 100mA SOT 23
0	Q 3	50.60.1001		BC857B	PNP 45V 100mA SOT 23
0	R 1	57.60.1681		680R	MF, 1%, 0204, E24

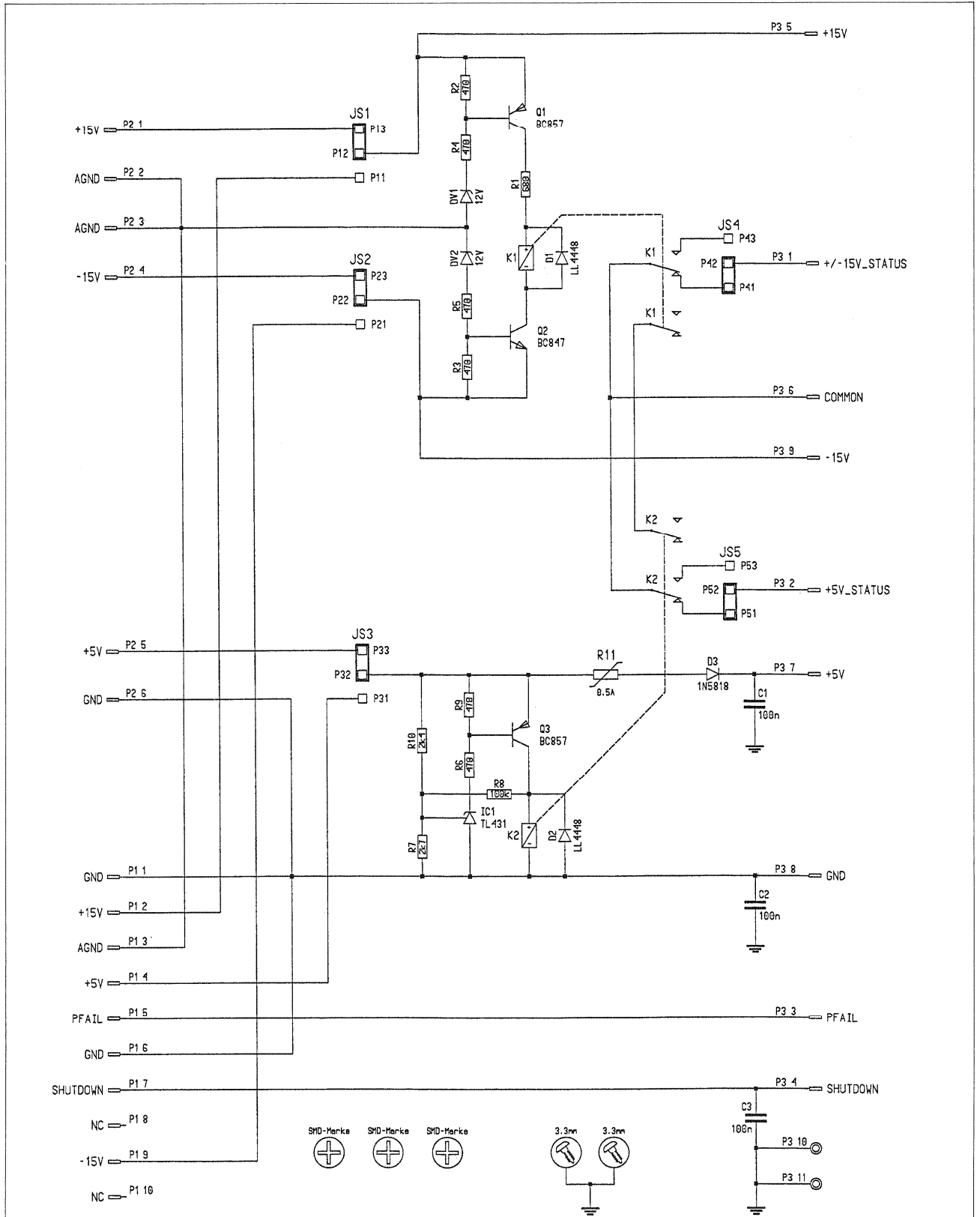
Idx	Pos.	Part No.	Qty.	Type/Val.	Description
0	R 2	57.60.1471		470R	MF, 1%, 0204, E24
0	R 3	57.60.1471		470R	MF, 1%, 0204, E24
0	R 4	57.60.1471		470R	MF, 1%, 0204, E24
0	R 5	57.60.1471		470R	MF, 1%, 0204, E24
0	R 6	57.60.1471		470R	MF, 1%, 0204, E24
0	R 7	57.60.1272		2K7	MF, 1%, 0204, E24
0	R 8	57.60.1104		100K	MF, 1%, 0204, E24
0	R 9	57.60.1471		470R	MF, 1%, 0204, E24
0	R 10	57.60.1242		2K4	MF, 1%, 0204, E24
0	R 11	57.92.7013		0.5A	PTC 60V

End of List

Comments



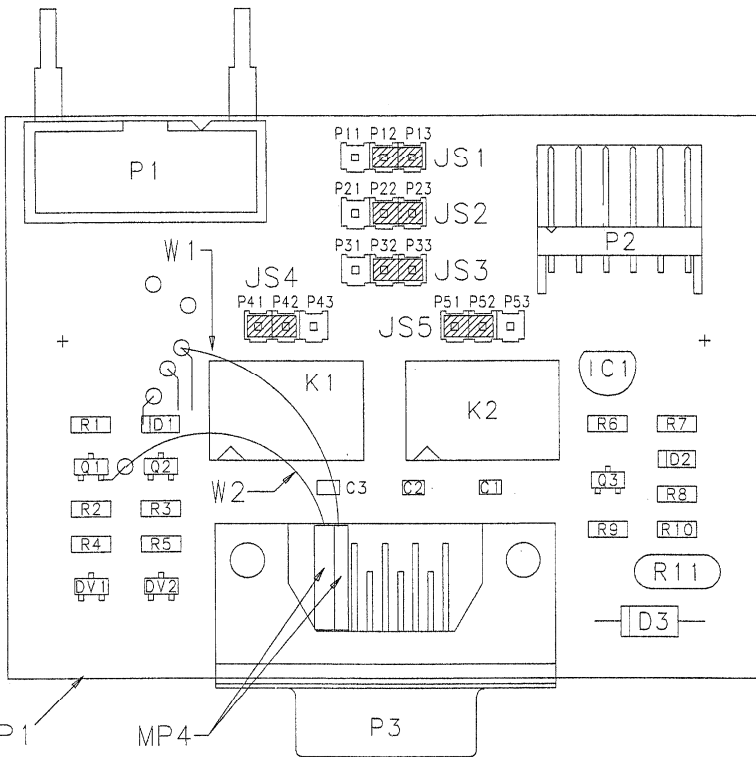
Supply Status Board I.940.593.00



0	27.03.1998	GP	1	07.10.99	ZT	0	0	0
								PAGE 1 OF 1
STUDER			SUPPLY STATUS BOARD			SC 1.940.593.00		



Supply Status Board I.940.593.00



Edition Ausgabe	Date Datum	Visa Gez.	Geprüft Gepr.	Sicht Ges.	Index	③
						②
Modification Änderung	07.10.1999	ZT				①
07.03.1998	GP					①
Copy to: Kopie fuer:						
Number: Number: 1.940.593.00						

Idx	Pos.	Part No.	Qty.	Type/Val.	Description
0	C 1	59.60.3337		100n	CER 50V, 10%, X7R, 0805
0	C 2	59.60.3337		100n	CER 50V, 10%, X7R, 0805
0	C 3	59.60.3337		100n	CER 50V, 10%, X7R, 0805
0	D 1	50.60.8001		4448	200mA 75V 4ns SOD 80
0	D 2	50.60.8001		4448	200mA 75V 4ns SOD 80
0	D 3	50.04.0512		1N5818	D 1N 5818, 1N 5819,
0	DV 1	50.60.9019		12V	5%, 0.2W, SOT 23
0	DV 2	50.60.9019		12V	5%, 0.2W, SOT 23
0	IC 1	50.10.0106		TL431	Shunt regulator
0	JS 1	54.01.0021		Jumper	0.63 * 0.63mm
0	JS 2	54.01.0021		Jumper	0.63 * 0.63mm
0	JS 3	54.01.0021		Jumper	0.63 * 0.63mm
0	JS 4	54.01.0021		Jumper	0.63 * 0.63mm
0	JS 5	54.01.0021		Jumper	0.63 * 0.63mm
0	K 1	56.04.0197		2u	24V 125V 2A Ag/Au
0	K 2	56.04.0198		2u	5V 125V 2A Ag/Au
0	MP 1	1.940.593.11		mp	SUPPLY STATUS PCB
0	MP 2	1.940.593.04		mp	Nr.-Etikette 5 * 20
0	MP 3	43.01.0108		mp	Label
1	MP 4	1.010.107.65		2 pcs	Schrumpf-Schlauch bl
1	MP 5	43.10.0110		A	Revisions-Etikette 5mm h/blau
0	P 1	54.14.2101		10p	P STECKER 10 P.AU.VR.GERADE
0	P 2	54.12.0726		6p	Stecker winkel PCB
0	P 3	54.13.0071		9p	D-Sub, PCB, Winkel
0	P 11	54.01.0020		1p	Pin 0.63*0.63
0	P 12	54.01.0020		1p	Pin 0.63*0.63
0	P 13	54.01.0020		1p	Pin 0.63*0.63
0	P 21	54.01.0020		1p	Pin 0.63*0.63
0	P 22	54.01.0020		1p	Pin 0.63*0.63
0	P 23	54.01.0020		1p	Pin 0.63*0.63
0	P 31	54.01.0020		1p	Pin 0.63*0.63
0	P 32	54.01.0020		1p	Pin 0.63*0.63
0	P 33	54.01.0020		1p	Pin 0.63*0.63
0	P 41	54.01.0020		1p	Pin 0.63*0.63
0	P 42	54.01.0020		1p	Pin 0.63*0.63
0	P 43	54.01.0020		1p	Pin 0.63*0.63
0	P 51	54.01.0020		1p	Pin 0.63*0.63
0	P 52	54.01.0020		1p	Pin 0.63*0.63
0	P 53	54.01.0020		1p	Pin 0.63*0.63
0	Q 1	50.60.1001		BC857B	PNP 45V 100mA SOT 23
0	Q 2	50.60.0001		BC847B	NPN 45V 100mA SOT 23
0	Q 3	50.60.1001		BC857B	PNP 45V 100mA SOT 23

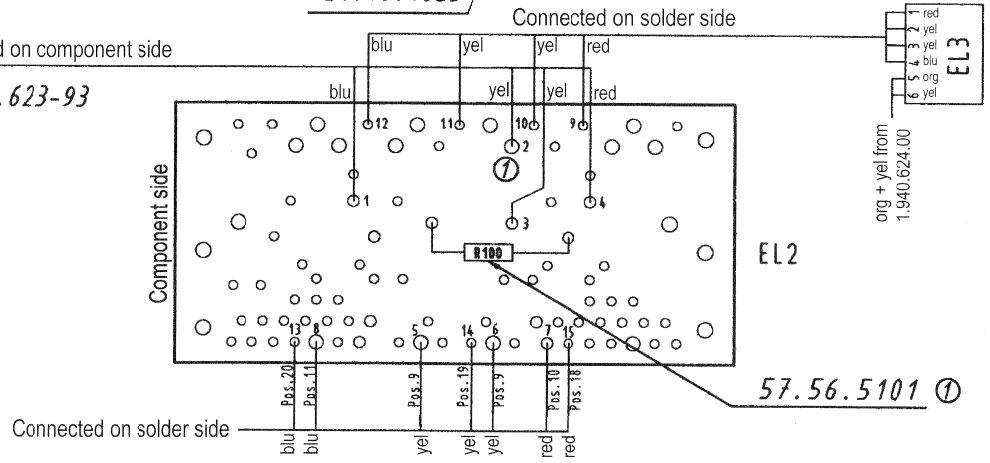
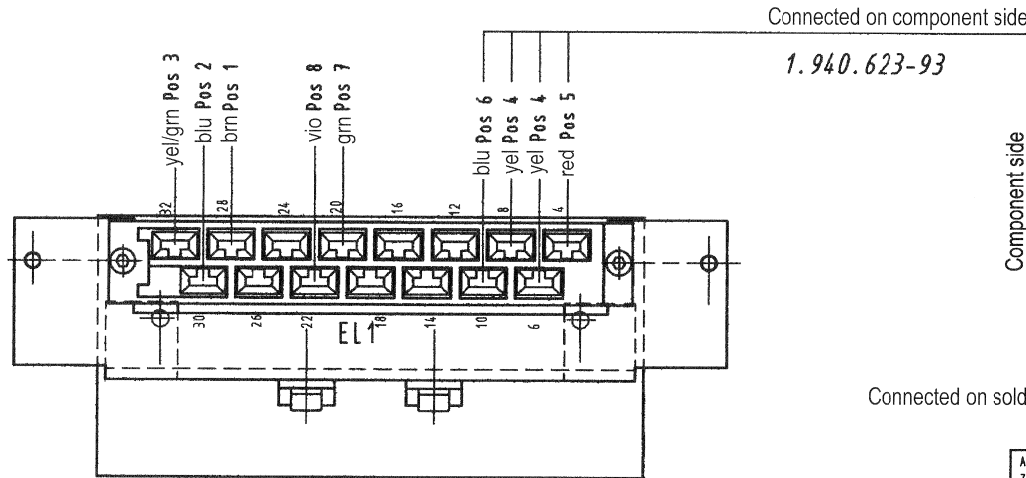
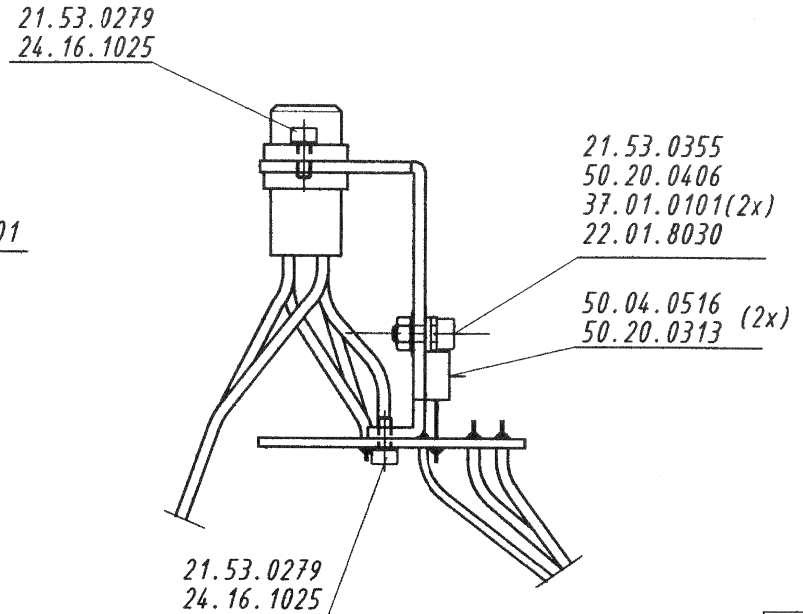
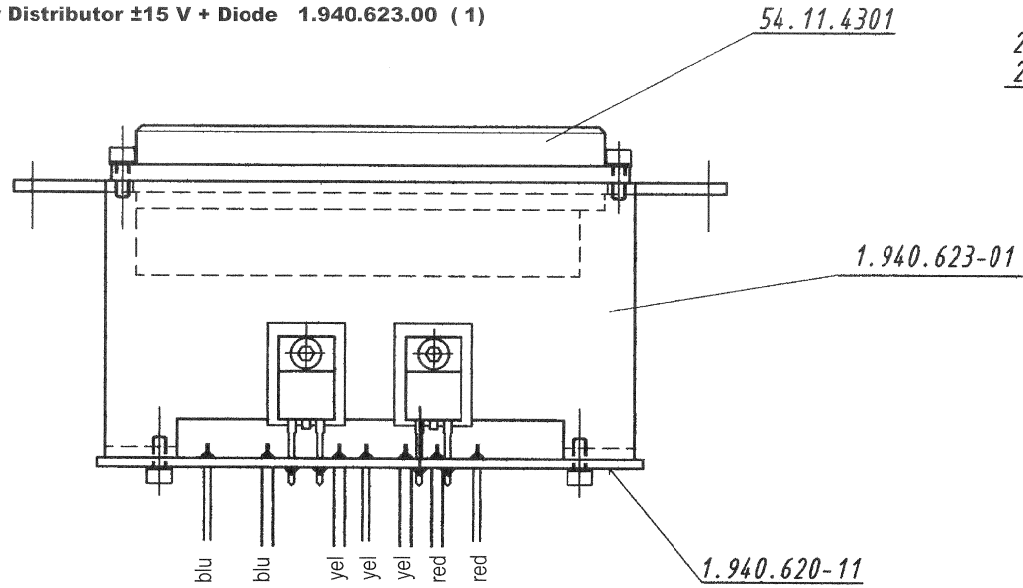
Idx	Pos.	Part No.	Qty.	Type/Val.	Description
0	R 1	57.60.1681		680R	MF, 1%, 0204, E24
0	R 2	57.60.1471		470R	MF, 1%, 0204, E24
0	R 3	57.60.1471		470R	MF, 1%, 0204, E24
0	R 4	57.60.1471		470R	MF, 1%, 0204, E24
0	R 5	57.60.1471		470R	MF, 1%, 0204, E24
0	R 6	57.60.1471		470R	MF, 1%, 0204, E24
0	R 7	57.60.1272		2K7	MF, 1%, 0204, E24
0	R 8	57.60.1104		100K	MF, 1%, 0204, E24
0	R 9	57.60.1471		470R	MF, 1%, 0204, E24
0	R 10	57.60.1242		2K4	MF, 1%, 0204, E24
0	R 11	57.92.7013		0.5A	PTC 60V
1	W 1	1.169.200.70			LITZE SW 70MM
1	W 2	1.169.200.70			LITZE SW 70MM

End of List

Comments

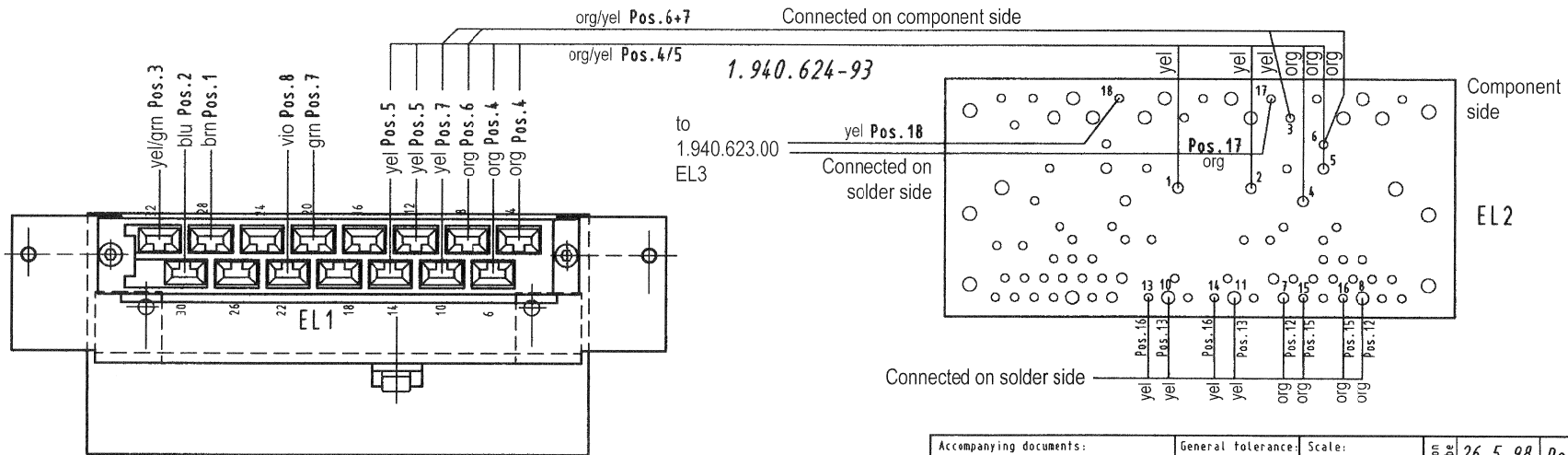
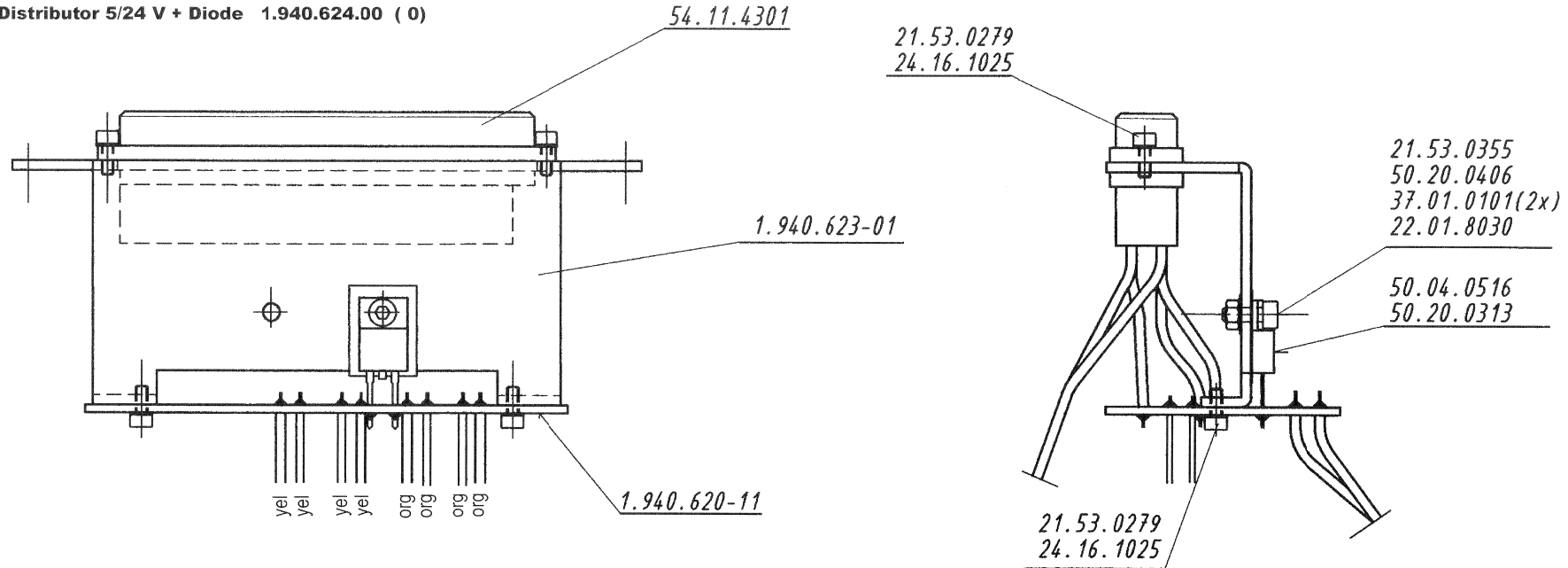
(Idx1) Additional: MP4,MP5,W1,W2

Power Distributor ±15 V + Diode 1.940.623.00 (1)



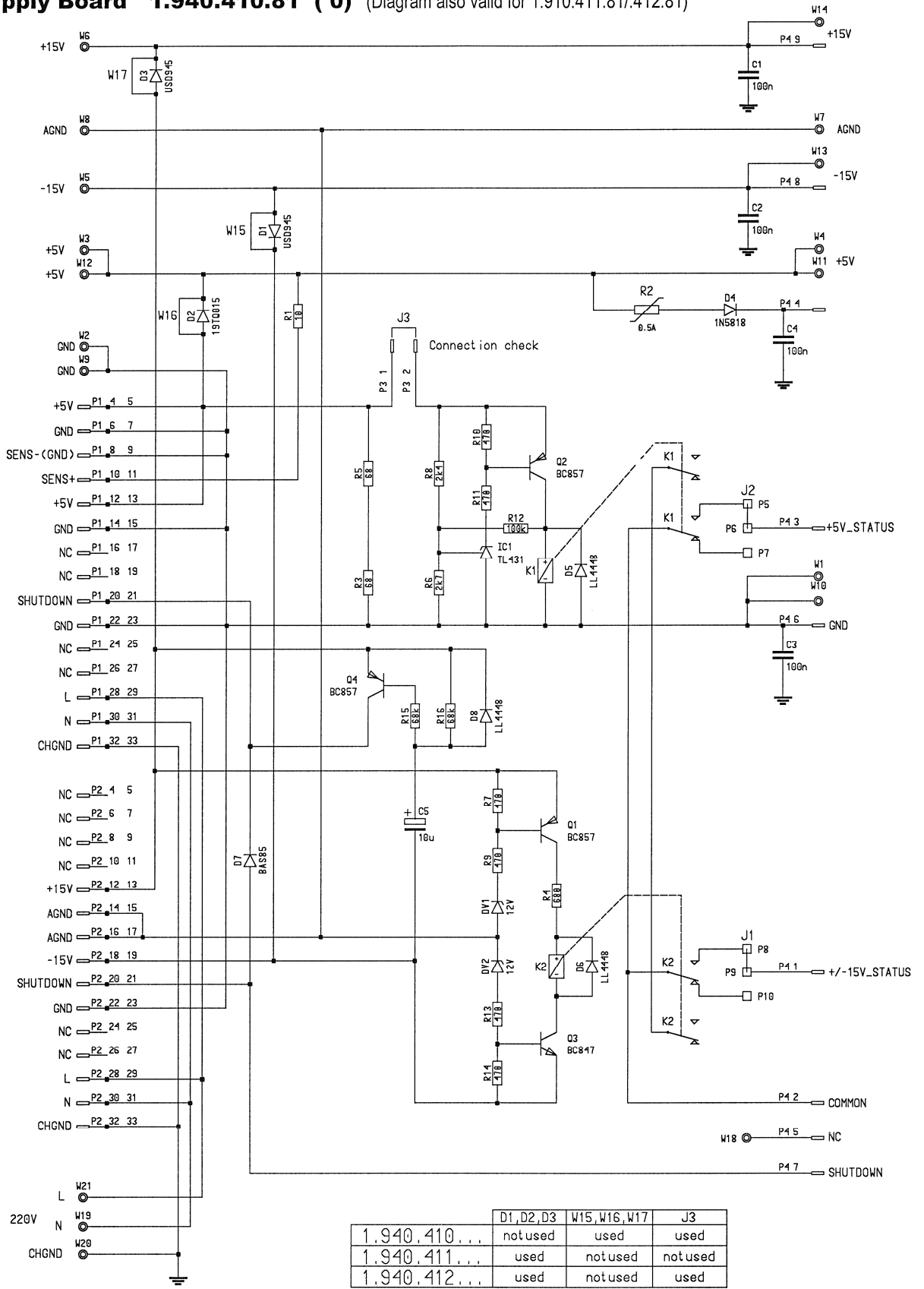
Accompanying documents: Zugehörige Unterlagen:	General tolerance: Freimasstoleranz:	Scale: Massstab:	Edition Ausgabe	04.01.00	hm	HM	HM	①
Substitute for: Ersatz für:	Replaced by: Ersetzt durch:	Copy to: Kopie für:	Date Datum	Visa Gez.	Checked Gepr.	Seen Ges.	Index	
STUDER REGENSDORF			Description: Benennung: <i>Power Distr. ±15V+Diode</i>			Number: Number: <i>1.940.623-00</i>		

Power Distributor 5/24 V + Diode 1.940.624.00 (0)

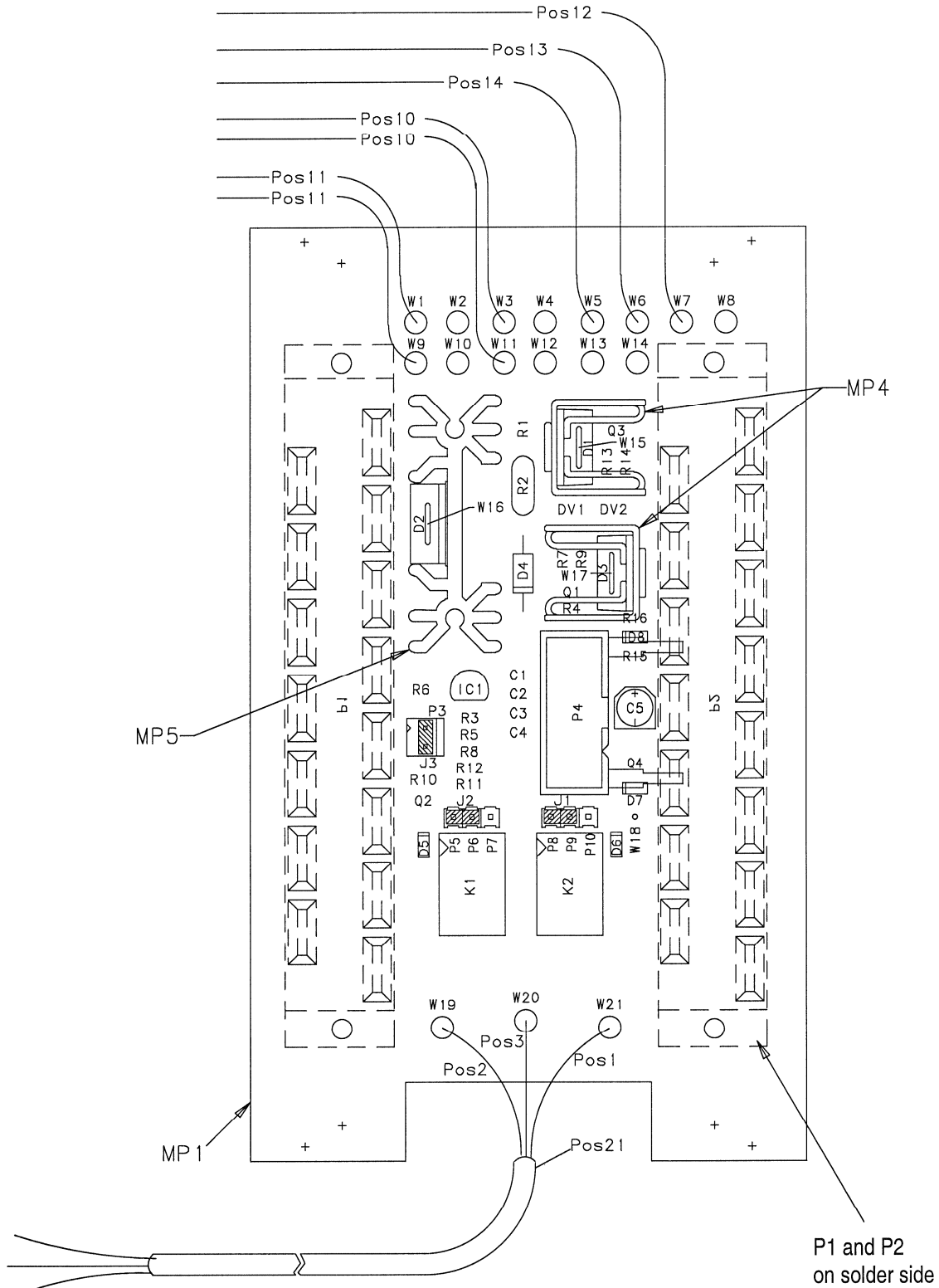


Accompanying documents: Zugehörige Unterlagen:	General tolerance: Freimasstoleranz:	Scale: Maßstab:	Edition Ausgabe	26.5.98	Ro	HM	WE	Ⓟ
Substitute for: Ersatz für:	Replaced by: Ersetzt durch:	Copy to: Kopie für:	Date Datum		Visa Gez.	Checked Gepr.	Seen Ges.	Index
STUDER REGENSDORF			Description: Benennung: <i>Power.Distr.5/24V +Diode</i>			Number: Nummer: <i>1.940.624-00</i>		

Supply Board 1.940.410.81 (0) (Diagram also valid for 1.910.411.81/412.81)



Supply Board 1.940.410.81 (1)



Accompanying documents: Zugehörige Unterlagen: PL, LL	General tolerance: Freimasstoleranz:	Scale: Massstab:	Edition Ausgabe	15.04.2002	PZ	HM	RL	①
Substitute for: Ersatz fuer:			Date Datum		Visa Gez.	Checked Gepr.	Seen Ges.	Index
Description: Benennung: STUDER REGENSDORF			SUPPLY BOARD, ESE			Page: Seite: 1 / 1		
			Number: Number: 1.940.410.81					

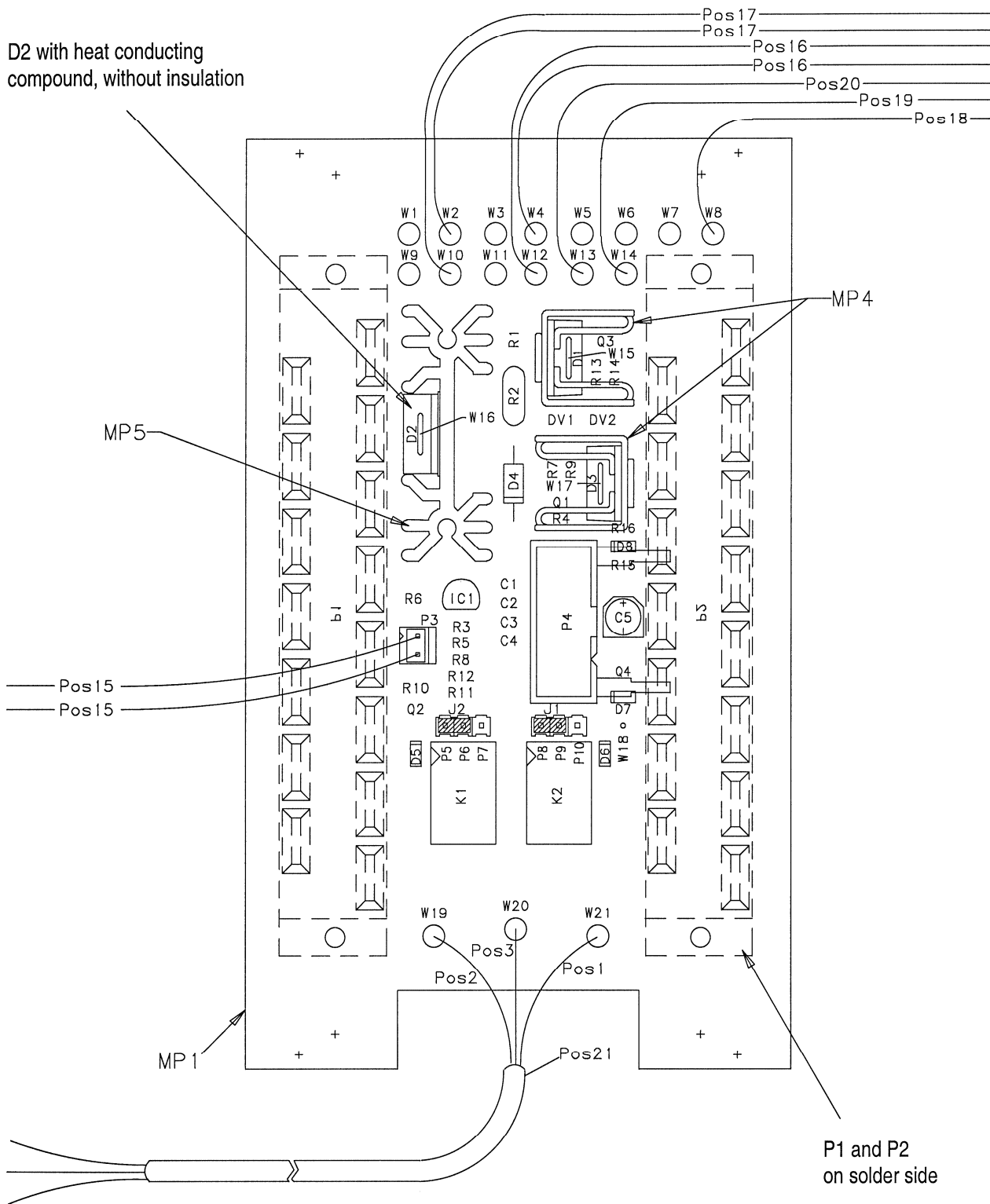
Supply Board 1.940.410.81 (1)

Idx. Pos.	Part No.	Qty.	Type/Val.	Description
0	C 1	59.60.3337	1 pce 100n	CER 50V, 10%, X7R, 0805
0	C 2	59.60.3337	1 pce 100n	CER 50V, 10%, X7R, 0805
0	C 3	59.60.3337	1 pce 100n	CER 50V, 10%, X7R, 0805
0	C 4	59.60.3337	1 pce 100n	CER 50V, 10%, X7R, 0805
0	C 5	59.68.0109	1 pce 10u	EL 35V, 5.0*5.7
0	D 1		not used 1 pce USD945	Schottkv Rect 16A, 45V
0	D 2		not used 1 pce 19TQ015	19A 15V Schottky, TO 220
0	D 3		not used 1 pce USD945	Schottkv Rect 16A, 45V
0	D 4	50.04.0512	1 pce 1N5818	D 1N 5818, 1N 5819,
0	D 5	50.60.8001	1 pce 4448	200mA 75V 4ns SOD 80
0	D 6	50.60.8001	1 pce 4448	200mA 75V 4ns SOD 80
0	D 7	50.60.8101	1 pce BAS85	200mA 30V Schottky SOD 80
0	D 8	50.60.8001	1 pce 4448	200mA 75V 4ns SOD 80
0	DV 1	50.60.9019	1 pce 12V	5%, 0.2W, SOT 23
0	DV 2	50.60.9019	1 pce 12V	5%, 0.2W, SOT 23
0	IC 1	50.10.0106	1 pce TL431	Shunt regulator
0	J 1	54.01.0021	1 pce Jumper	0.63*0.63mm, Au
0	J 2	54.01.0021	1 pce Jumper	0.63*0.63mm, Au
0	J 3	54.01.0021	1 pce Jumper	0.63*0.63mm, Au
0	K 1	56.04.0198	1 pce 2*u	5V 125V 2A Ag/Au
0	K 2	56.04.0197	1 pce 2*u	24V 125V 2A Ag/Au
0	LL 1	1.940.410.93	1 pce	LL Supply Board
1	MP 1	1.940.410.12	1 pce	Supply Board PCB
0	MP 2	1.940.410.10	1 pce	Nr. Etikette
0	MP 3	43.01.0108	1 pce Label	ESE-WARNSCHILD
0	MP 4		not used 2 pcs	Kühlkörper, TO 220, vertikal
0	MP 5		not used 1 pce	Kühlkörper, TO 220, vertikal
0	P 1	54.11.4307	1 pce 15p	EU-H, Action pin
0	P 2	54.11.4307	1 pce 15p	EU-H, Action pin
0	P 3	54.12.0702	1 pce 2p	Stecker gerade PCB
0	P 4	54.14.2101	1 pce 10p	1/20" Au, gerade, Verrieg
0	P 5	54.01.0020	1 pce 1p	Pin, 1reihig, gerade
0	P 6	54.01.0020	1 pce 1p	Pin, 1reihig, gerade
0	P 7	54.01.0020	1 pce 1p	Pin, 1reihig, gerade
0	P 8	54.01.0020	1 pce 1p	Pin, 1reihig, gerade
0	P 9	54.01.0020	1 pce 1p	Pin, 1reihig, gerade
0	P 10	54.01.0020	1 pce 1p	Pin, 1reihig, gerade
0	Q 1	50.60.1001	1 pce BC857B	PNP 45V 100mA SOT 23
0	Q 2	50.60.1001	1 pce BC857B	PNP 45V 100mA SOT 23
0	Q 3	50.60.0001	1 pce BC847B	NPN 45V 100mA SOT 23
0	Q 4	50.60.1001	1 pce BC857B	PNP 45V 100mA SOT 23
0	R 1	57.60.1100	1 pce 10R	MF, 1%, 0204, E24
0	R 2	57.92.7013	1 pce 0.5A	PTC 60V
0	R 3	57.60.1680	1 pce 68R	MF, 1%, 0204, E24
0	R 4	57.60.1681	1 pce 680R	MF, 1%, 0204, E24
0	R 5	57.60.1680	1 pce 68R	MF, 1%, 0204, E24
0	R 6	57.60.1272	1 pce 2k7	MF, 1%, 0204, E24
0	R 7	57.60.1471	1 pce 470R	MF, 1%, 0204, E24
0	R 8	57.60.1242	1 pce 2k4	MF, 1%, 0204, E24
0	R 9	57.60.1471	1 pce 470R	MF, 1%, 0204, E24
0	R 10	57.60.1471	1 pce 470R	MF, 1%, 0204, E24
0	R 11	57.60.1471	1 pce 470R	MF, 1%, 0204, E24
0	R 12	57.60.1104	1 pce 100k	MF, 1%, 0204, E24
0	R 13	57.60.1471	1 pce 470R	MF, 1%, 0204, E24
0	R 14	57.60.1471	1 pce 470R	MF, 1%, 0204, E24
0	R 15	57.60.1683	1 pce 68k	MF, 1%, 0204, E24
0	R 16	57.60.1683	1 pce 68k	MF, 1%, 0204, E24
0	W 15	1.010.321.64	1 pce Wire	DRAHTBRUECKE U, 4.3* 5.0, 0.6
0	W 16	1.010.321.64	1 pce Wire	DRAHTBRUECKE U, 4.3* 5.0, 0.6
0	W 17	1.010.321.64	1 pce Wire	DRAHTBRUECKE U, 4.3* 5.0, 0.6

End of List

[81] Supply-snoober added as add-on: D8, C5, Q4, R15, R16,
 (01) PCB redesign to eliminate add-on

Supply Board, Redundant Output 1.940.411.81 (1)



Accompanying documents: Zugehörige Unterlagen: PL, LL		General tolerance: Freimasstoleranz:	Scale: Masstab:	Edition Ausgabe: 15.04.2002	PZ Date Datum: Visa	HM Checked Gepr.: Seen	RL Seen Ges.: Index	①
Substitute for: Ersatz fuer:				Page: Seite: 1 / 1				
STUDER REGENSDORF		Description: Benennung: SUPPLY BOARD REDUNDANT OUTPUT, ESE		Number: Nummer: 1.940.411.81				

Supply Board, Redundant Output 1.940.411.81 (1)

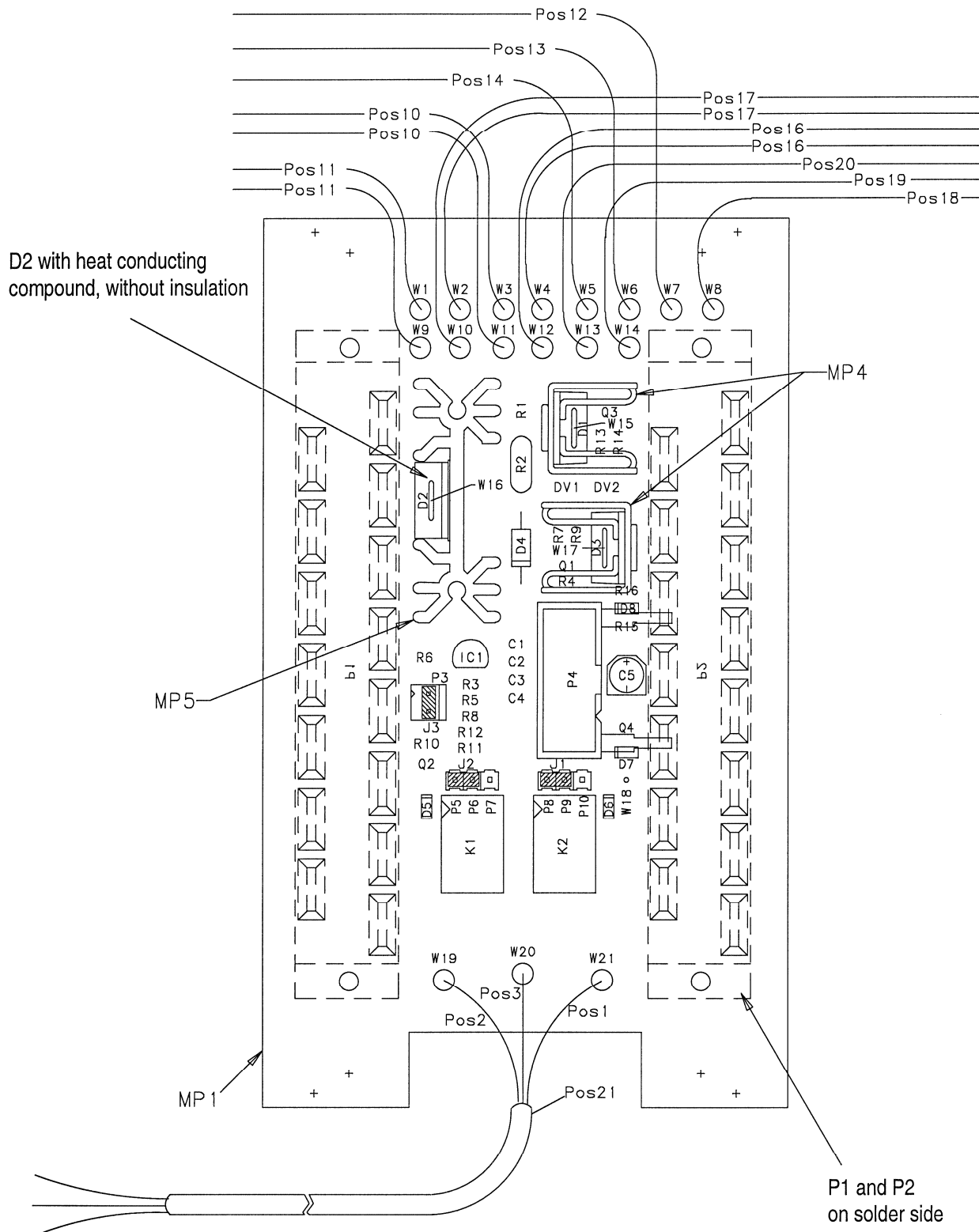
Page: 1 of 1

Idx. Pos.	Part No.	Qty.	Type/Val.	Description	Idx. Pos.	Part No.	Qty.	Type/Val.	Description
0	C 1	59.60.3337	1 pce	100n	CER 50V, 10%, X7R, 0805				
0	C 2	59.60.3337	1 pce	100n	CER 50V, 10%, X7R, 0805				
0	C 3	59.60.3337	1 pce	100n	CER 50V, 10%, X7R, 0805				
0	C 4	59.60.3337	1 pce	100n	CER 50V, 10%, X7R, 0805				
0	C 5	59.68.0109	1 pce	10u	EL 35V, 5.0*5.7				
0	D 1	50.04.0516	1 pce	USD945	Schottky Rect 16A, 45V				
0	D 2	50.04.0529	1 pce	19TQ015	19A 15V Schottky, TO 220				
0	D 3	50.04.0516	1 pce	USD945	Schottky Rect 16A, 45V				
0	D 4	50.04.0512	1 pce	1N5818	D 1N 5818, 1N 5819,				
0	D 5	50.60.8001	1 pce	4448	200mA 75V 4ns SOD 80				
0	D 6	50.60.8001	1 pce	4448	200mA 75V 4ns SOD 80				
0	D 7	50.60.8101	1 pce	BAS85	200mA 30V Schottky SOD 80				
0	D 8	50.60.8001	1 pce	4448	200mA 75V 4ns SOD 80				
0	DV 1	50.60.9019	1 pce	12V	5%, 0.2W, SOT 23				
0	DV 2	50.60.9019	1 pce	12V	5%, 0.2W, SOT 23				
0	IC 1	50.10.0106	1 pce	TL431	Shunt regulator				
0	J 1	54.01.0021	1 pce	Jumper	0.63*0.63mm, Au				
0	J 2	54.01.0021	1 pce	Jumper	0.63*0.63mm, Au				
0	K 1	56.04.0198	1 pce	2*u	5V 125V 2A Ag/Au				
0	K 2	56.04.0197	1 pce	2*u	24V 125V 2A Ag/Au				
0	LL 1	1.940.411.93			LL Supply Board red Output				
1	MP 1	1.940.410.12	1 pce		Supply Board PCB				
0	MP 2	1.940.411.10	1 pce		Nr. Etikette				
0	MP 3	43.01.0108	1 pce	Label	ESE-WARNSCHILD				
0	MP 4	50.20.3011	2 pcs		Kühlkörper, TO 220, vertikal				
0	MP 5	50.20.3012	1 pce		Kühlkörper, TO 220, vertikal				
0	P 1	54.11.4307	1 pce	15p	EU-H, Action pin				
0	P 2	54.11.4307	1 pce	15p	EU-H, Action pin				
0	P 3	54.12.0702	1 pce	2p	Stecker gerade PCB				
0	P 4	54.14.2101	1 pce	10p	1/20" Au, gerade, Verriegel				
0	P 5	54.01.0020	1 pce	1p	Pin, 1reihig, gerade				
0	P 6	54.01.0020	1 pce	1p	Pin, 1reihig, gerade				
0	P 7	54.01.0020	1 pce	1p	Pin, 1reihig, gerade				
0	P 8	54.01.0020	1 pce	1p	Pin, 1reihig, gerade				
0	P 9	54.01.0020	1 pce	1p	Pin, 1reihig, gerade				
0	P 10	54.01.0020	1 pce	1p	Pin, 1reihig, gerade				
0	Q 1	50.60.1001	1 pce	BC857B	PNP 45V 100mA SOT 23				
0	Q 2	50.60.1001	1 pce	BC857B	PNP 45V 100mA SOT 23				
0	Q 3	50.60.0001	1 pce	BC847B	NPN 45V 100mA SOT 23				
0	Q 4	50.60.1001	1 pce	BC857B	PNP 45V 100mA SOT 23				
0	R 1	57.60.1100	1 pce	10R	MF, 1%, 0204, E24				
0	R 2	57.92.7013	1 pce	0.5A	PTC 60V				
0	R 3	57.60.1680	1 pce	68R	MF, 1%, 0204, E24				
0	R 4	57.60.1681	1 pce	680R	MF, 1%, 0204, E24				
0	R 5	57.60.1680	1 pce	68R	MF, 1%, 0204, E24				
0	R 6	57.60.1272	1 pce	2k7	MF, 1%, 0204, E24				
0	R 7	57.60.1471	1 pce	470R	MF, 1%, 0204, E24				
0	R 8	57.60.1242	1 pce	2k4	MF, 1%, 0204, E24				
0	R 9	57.60.1471	1 pce	470R	MF, 1%, 0204, E24				
0	R 10	57.60.1471	1 pce	470R	MF, 1%, 0204, E24				
0	R 11	57.60.1471	1 pce	470R	MF, 1%, 0204, E24				
0	R 12	57.60.1104	1 pce	100k	MF, 1%, 0204, E24				
0	R 13	57.60.1471	1 pce	470R	MF, 1%, 0204, E24				
0	R 14	57.60.1471	1 pce	470R	MF, 1%, 0204, E24				
0	R 15	57.60.1683	1 pce	68k	MF, 1%, 0204, E24				
0	R 16	57.60.1683	1 pce	68k	MF, 1%, 0204, E24				
0	W 15	not used	1 pce	Wire	DRAHTBRUECKE U, 4.3* 5.0, 0.6				
0	W 16	not used	1 pce	Wire	DRAHTBRUECKE U, 4.3* 5.0, 0.6				
0	W 17	not used	1 pce	Wire	DRAHTBRUECKE U, 4.3* 5.0, 0.6				

End of List

[81] Supply-snoober added as add-on: D8, C5, Q4, R15, R16,
 (01) PCB redesign to eliminate add-on

Supply Board, Redundant Input 1.940.412.81 (1)



Accompanying documents: Zugehörige Unterlagen: PL, LL	General tolerance: Freimasstoleranz:	Scale: Masstab:	Edition Ausgabe 15.04.2002	PZ	HM	RL	①
Substitute for: Ersatz fuer:			Date Datum	Visa Gez.	Checked Gepr.	Seen Ges.	Index
STUDER REGENSDORF			Page: Seite:	1 / 1			
Description: Benennung: SUPPLY BOARD REDUNDANT INPUT, ESE			Number: Nummer:	1.940.412.81			

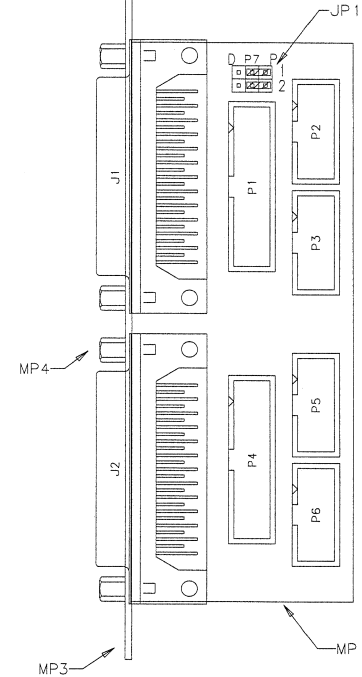
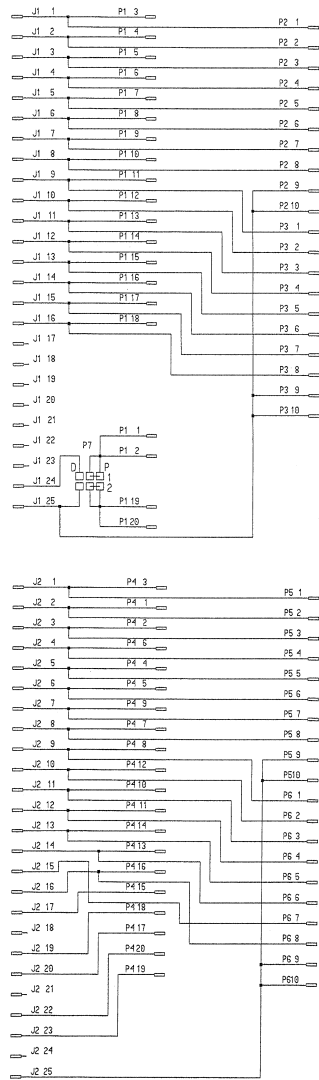
Supply Board, Redundant Input 1.940.412.81 (1)

Idx. Pos.	Part No.	Qty.	Type/Val.	Description	Idx. Pos.	Part No.	Qty.	Type/Val.	Description
0	C 1	59.60.3337	1 pce	100n	CER 50V, 10%, X7R, 0805				
0	C 2	59.60.3337	1 pce	100n	CER 50V, 10%, X7R, 0805				
0	C 3	59.60.3337	1 pce	100n	CER 50V, 10%, X7R, 0805				
0	C 4	59.60.3337	1 pce	100n	CER 50V, 10%, X7R, 0805				
0	C 5	59.68.0109	1 pce	10u	EL 35V, 5.0*5.7				
0	D 1	50.04.0516	1 pce	USD945	Schottky Rect 16A 45V				
0	D 2	50.04.0529	1 pce	19TQ015	19A 15V Schottky, TO 220				
0	D 3	50.04.0516	1 pce	USD945	Schottky Rect 16A, 45V				
0	D 4	50.04.0512	1 pce	1N5818	D 1N 5818, 1N 5819,				
0	D 5	50.60.8001	1 pce	4448	200mA 75V 4ns SOD 80				
0	D 6	50.60.8001	1 pce	4448	200mA 75V 4ns SOD 80				
0	D 7	50.60.8101	1 pce	BAS85	200mA 30V Schottky SOD 80				
0	D 8	50.60.8001	1 pce	4448	200mA 75V 4ns SOD 80				
0	DV 1	50.60.9019	1 pce	12V	5%, 0.2W, SOT 23				
0	DV 2	50.60.9019	1 pce	12V	5%, 0.2W, SOT 23				
0	IC 1	50.10.0106	1 pce	TL431	Shunt regulator				
0	J 1	54.01.0021	1 pce	Jumper	0.63*0.63mm, Au				
0	J 2	54.01.0021	1 pce	Jumper	0.63*0.63mm, Au				
0	J 3	54.01.0021	1 pce	Jumper	0.63*0.63mm, Au				
0	K 1	56.04.0198	1 pce	2*u	5V 125V 2A Ag/Au				
0	K 2	56.04.0197	1 pce	2*u	24V 125V 2A Ag/Au				
0	LL 1	1.940.412.93	1 pce		LL Supply Board red Input				
1	MP 1	1.940.410.12	1 pce		Supply Board PCB				
0	MP 2	1.940.412.10	1 pce		Nr. Etiketle				
0	MP 3	43.01.0108	1 pce	Label	ESE-WARNSCHILD				
0	MP 4	50.20.3011	2 pcs		Kühlkörper, TO 220, vertikal				
0	MP 5	50.20.3012	1 pce		Kühlkörper, TO 220, vertikal				
0	P 1	54.11.4307	1 pce	15p	EU-H, Action pin				
0	P 2	54.11.4307	1 pce	15p	EU-H, Action pin				
0	P 3	54.12.0702	1 pce	2p	Stecker gerade PCB				
0	P 4	54.14.2101	1 pce	10p	1/20" Au, gerade, Verrieg				
0	P 5	54.01.0020	1 pce	1p	Pin, 1reihig, gerade				
0	P 6	54.01.0020	1 pce	1p	Pin, 1reihig, gerade				
0	P 7	54.01.0020	1 pce	1p	Pin, 1reihig, gerade				
0	P 8	54.01.0020	1 pce	1p	Pin, 1reihig, gerade				
0	P 9	54.01.0020	1 pce	1p	Pin, 1reihig, gerade				
0	P 10	54.01.0020	1 pce	1p	Pin, 1reihig, gerade				
0	Q 1	50.60.1001	1 pce	BC857B	PNP 45V 100mA SOT 23				
0	Q 2	50.60.1001	1 pce	BC857B	PNP 45V 100mA SOT 23				
0	Q 3	50.60.0001	1 pce	BC847B	NPN 45V 100mA SOT 23				
0	Q 4	50.60.1001	1 pce	BC857B	PNP 45V 100mA SOT 23				
0	R 1	57.60.1100	1 pce	10R	MF, 1%, 0204, E24				
0	R 2	57.92.7013	1 pce	0.5A	PTC 60V				
0	R 3	57.60.1680	1 pce	68R	MF, 1%, 0204, E24				
0	R 4	57.60.1681	1 pce	680R	MF, 1%, 0204, E24				
0	R 5	57.60.1680	1 pce	68R	MF, 1%, 0204, E24				
0	R 6	57.60.1272	1 pce	2k7	MF, 1%, 0204, E24				
0	R 7	57.60.1471	1 pce	470R	MF, 1%, 0204, E24				
0	R 8	57.60.1242	1 pce	2k4	MF, 1%, 0204, E24				
0	R 9	57.60.1471	1 pce	470R	MF, 1%, 0204, E24				
0	R 10	57.60.1471	1 pce	470R	MF, 1%, 0204, E24				
0	R 11	57.60.1471	1 pce	470R	MF, 1%, 0204, E24				
0	R 12	57.60.1104	1 pce	100k	MF, 1%, 0204, E24				
0	R 13	57.60.1471	1 pce	470R	MF, 1%, 0204, E24				
0	R 14	57.60.1471	1 pce	470R	MF, 1%, 0204, E24				
0	R 15	57.60.1683	1 pce	68k	MF, 1%, 0204, E24				
0	R 16	57.60.1683	1 pce	68k	MF, 1%, 0204, E24				
0	W 15	not used	1 pce	Wire	DRAHTBRUECKE U, 4.3* 5.0, 0.6				
0	W 16	not used	1 pce	Wire	DRAHTBRUECKE U, 4.3* 5.0, 0.6				
0	W 17	not used	1 pce	Wire	DRAHTBRUECKE U, 4.3* 5.0, 0.6				

End of List

[81] Supply-snoober added as add-on: D8, C5, Q4, R15, R16,
 (01) PCB redesign to eliminate add-on

Control Connection 1.940.630.81

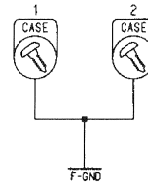
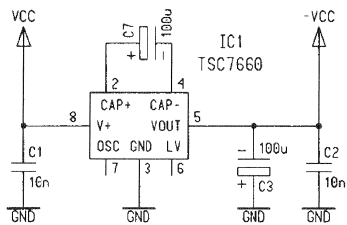
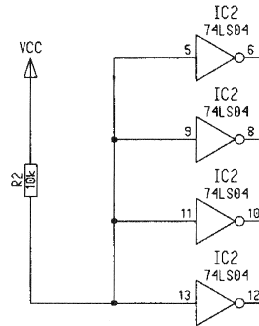
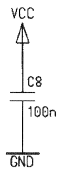
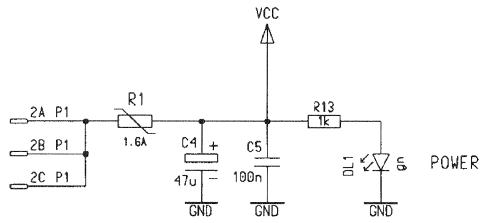
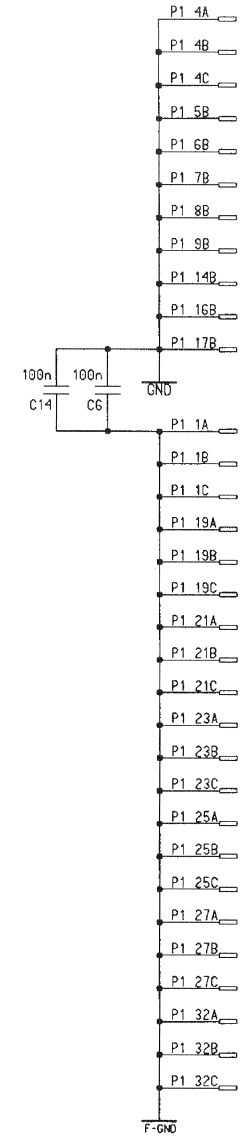
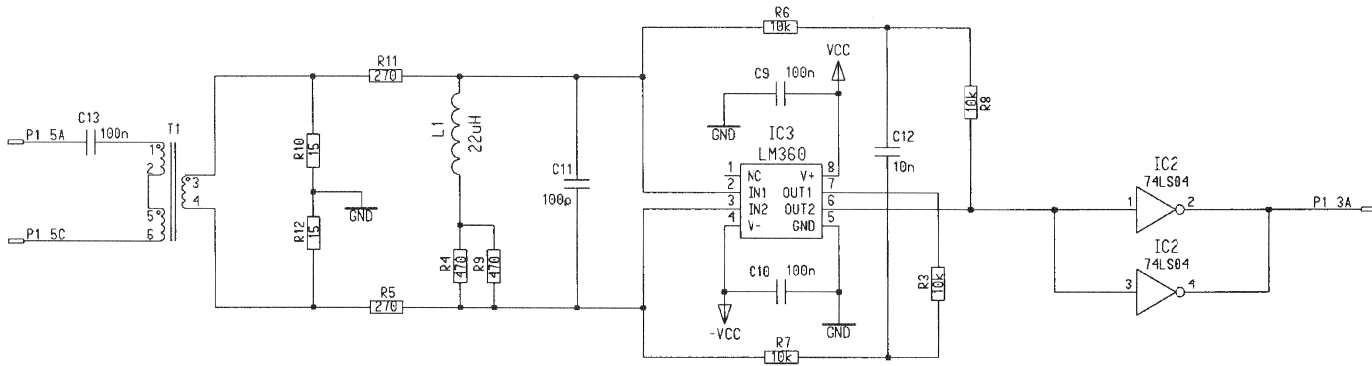


Idx	Pos.	Part No.	Qty.	Type/Val.	Description
0	J 1	54.13.0073		25p	D-Sub, PCB, Winkel
0	J 2	54.13.0073		25p	D-Sub, PCB, Winkel
0	JP 1	54.01.0021	2 pcs	Jumper	0.63 * 0.63mm
0	MP 1	1.940.630.12	1 pce		Control Connection PCB
0	MP 2	1.940.630.10	1 pce		NR, Etikette 5 x 20
0	MP 3	1.940.619.02	1 pce		Rückwand D25+D25
0	MP 4	54.13.0081	4 pcs	4.85mm	Bolzen UNC 4-40
0	MP 5	24.16.1030	4 pcs		RIPPENSCHLEIBE D 3.2/5.5
0	P 1	54.14.2008		20p	1/20" Au, gerade, ohne Verrieg
0	P 2	54.14.2001		10p	1/20" Au, gerade, ohne Verrieg
0	P 3	54.14.2001		10p	1/20" Au, gerade, ohne Verrieg
0	P 4	54.14.2008		20p	1/20" Au, gerade, ohne Verrieg
0	P 5	54.14.2001		10p	1/20" Au, gerade, ohne Verrieg
0	P 6	54.14.2001		10p	1/20" Au, gerade, ohne Verrieg
0	P 7	54.11.0136		2*3p	Pin 0.63*0.63, RM2.54

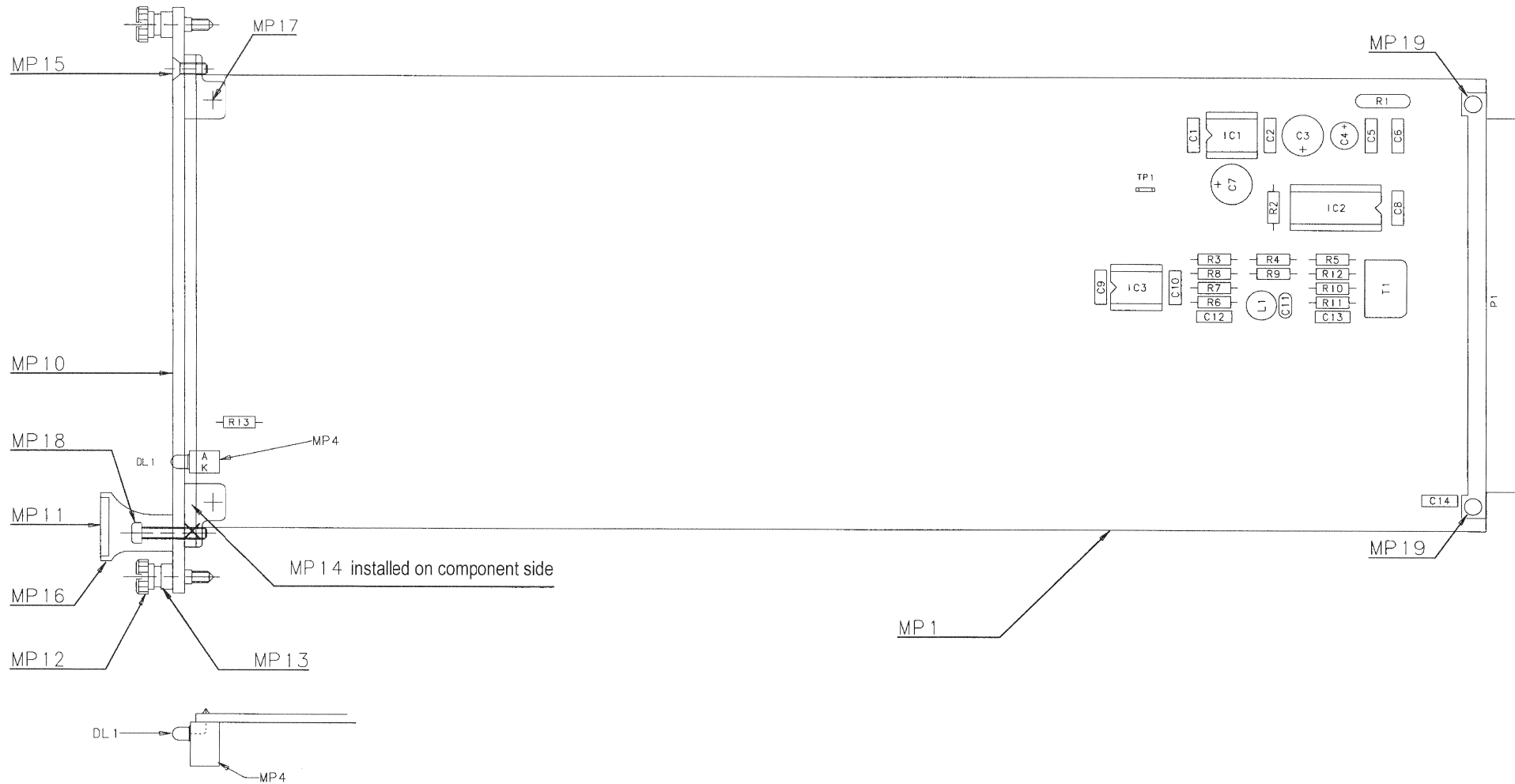
End of List

Comments

Sync Receiver 1.940.557.00 (0)



Sync Receiver 1.940.557.00 (0)



Accompanying documents: Zugehörige Unterlagen: PL	General tolerance: Freimasstoleranz: ±	Scale: Maßstab:	Edition Ausgabe Date Datum	03.09.98	ZT			Index
Substitute for: Ersatz fuer:	Replaced by: Ersetzt durch:	Copy to: Kopie fuer:						
STUDER REGENSDORF		Description: Benennung: D19M SYNC RECEIVER "ESE"			Number: Number: 1.940.557.00			

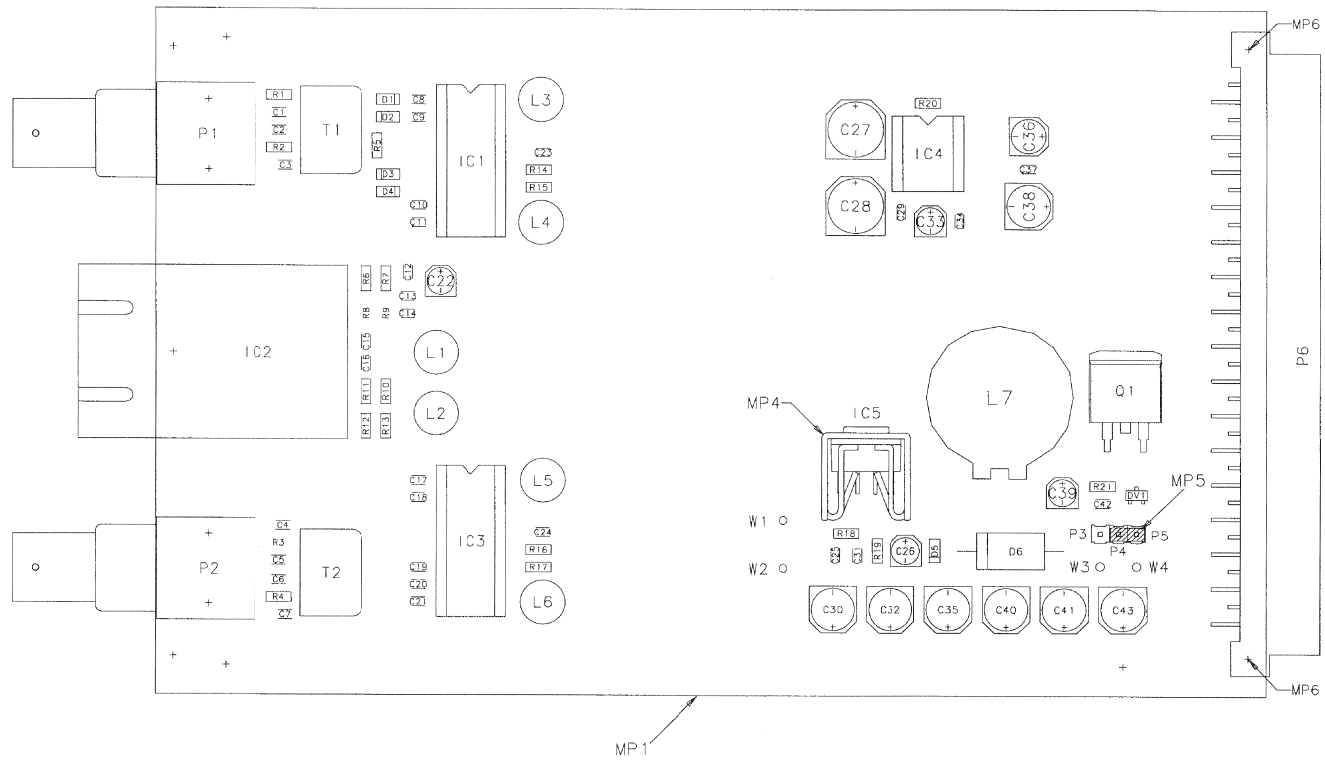
Sync Receiver 1.940.557.00 (1)

Idx. Pos.	Part No.	Qty.	Type/Val.	Description
0	C 1	59.06.0103	10n	PETP, 63V, 10%, RM5
0	C 2	59.06.0103	10n	PETP, 63V, 10%, RM5
0	C 3	59.22.4101	100u	EL 16V 20% RM5
0	C 4	59.22.3470	47u	EL 10V 20% RM5
0	C 5	59.06.0104	100n	PETP, 63V, 10%, RM5
0	C 6	59.06.0104	100n	PETP, 63V, 10%, RM5
0	C 7	59.22.4101	100u	EL 16V 20% RM5
0	C 8	59.06.0104	100n	PETP, 63V, 10%, RM5
0	C 9	59.06.0104	100n	PETP, 63V, 10%, RM5
0	C 10	59.06.0104	100n	PETP, 63V, 10%, RM5
0	C 11	59.34.4101	100p	CER 63V, 5%, N750
0	C 12	59.06.0103	10n	PETP, 63V, 10%, RM5
0	C 13	59.06.0104	100n	PETP, 63V, 10%, RM5
0	C 14	59.06.0104	100n	PETP, 63V, 10%, RM5
0	DL 1	50.04.2202	HLMP1790	DL HLMP - 1790 GN
0	IC 1	50.11.0131	ICL7660	IC ICL 7660 CPA,TSC.,Si.,
0	IC 2	50.06.0004	74LS04	SN 74 LS 04 N
0	IC 3	50.11.1002	LM360	High speed Comparator
0	L 1	62.02.3220	22uH	10%, radial RM 5
0	MP 1	1.940.557.11		D19M SYNC RECEIVER PCB
0	MP 2	1.940.557.04		TYPENSCHILD
0	MP 3	43.01.0108	Label	ESE-WARNschild
0	MP 4	50.20.2501 1 pce	Spacer	LED-Sockel
0	MP 10	1.940.557.01 1 pce		FRONTPLATTE
0	MP 11	1.940.600.04 1 pce		GRIFFEINLAGE 4TE
0	MP 12	49.02.0520 2 pcs	M2.5*12	Rändelschraube (Rack)
0	MP 13	49.02.0521 2 pcs		Metall-Buchse (Rack)
0	MP 14	49.02.0522 2 pcs		Kartenhalter mit Z-Schr
0	MP 15	49.02.0523 1 pce	M2.5*7	Senk-Schr, KS, Senkripp
0	MP 16	49.02.0504 1 pce	4TE	Frontplatten-Griff
1	MP 17	not used 2 pcs	M2.5*6	Z-Schraube Inbus Zn gb chr
				<i>Schraube ist in MP14 (49.02.0522 Kartenhalter) enthalten</i>
0	MP 18	21.53.0284 1 pce	M2.5*16	Z-Schraube Inbus Zn gb chr
0	MP 19	28.99.0119 2 pcs		ROHRNIETE D 2.5*0.15* 9
0	P 1	54.11.2009	96p	EU-R 3*32p
0	R 1	57.92.7053	1.6A	PTC 30V
0	R 2	57.11.3103	10k	MF, 1%, 0207
0	R 3	57.11.3103	10k	MF, 1%, 0207
0	R 4	57.11.3471	470R	MF, 1%, 0207
0	R 5	57.11.3271	270R	MF, 1%, 0207
0	R 6	57.11.3103	10k	MF, 1%, 0207
0	R 7	57.11.3103	10k	MF, 1%, 0207
0	R 8	57.11.3103	10k	MF, 1%, 0207
0	R 9	57.11.3471	470R	MF, 1%, 0207
0	R 10	57.11.3150	15R	MF, 1%, 0207
0	R 11	57.11.3271	270R	MF, 1%, 0207
0	R 12	57.11.3150	15R	MF, 1%, 0207
0	R 13	57.11.3102	1k0	MF, 1%, 0207
0	T 1	63.15.0001	1:1:1	Impuls-Transformator
0	TP 1	54.02.0320	1p	PCB-Flachst 2.8*0.8, gerade

End of List

(1) 12.04.00 MP 17 not used

Optical/Coax Interface 1.940.558.00 (0)



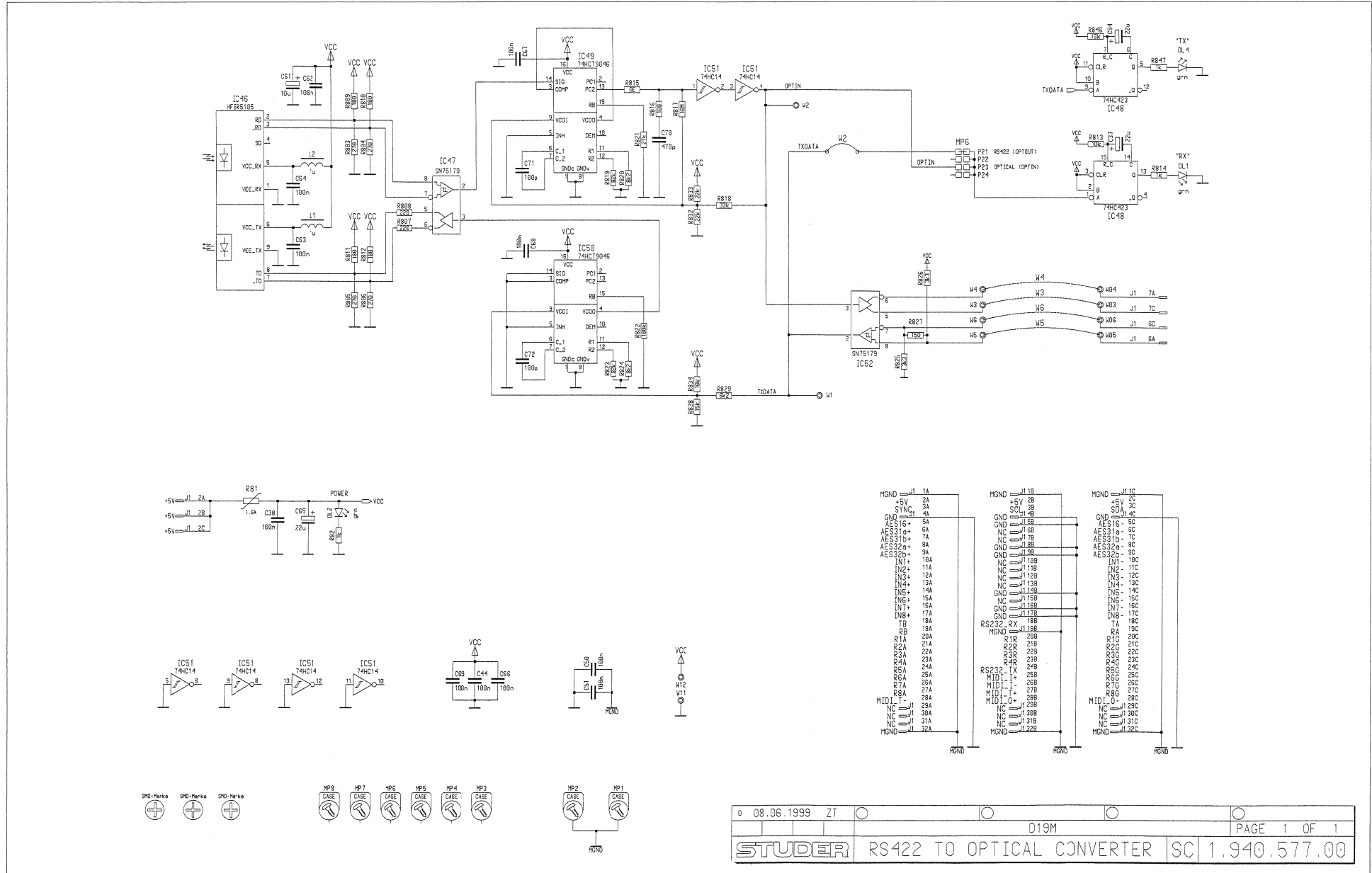
Accompanying documents: Zugehörige Unterlagen: PL, BV640		General tolerance: Feinmasstoleranz:	Scale: Masstab:	Edition: Ausgabe: 02.12.1999	Date: Datum: ZT	Viso: Gez.	Checked: Gepr.	Seen: Ges.	Index:
Substitute for: Ersatz fuer:				Page: Seite: 1 / 1					
STUDER REGENSBERG		Beschriftung: OPTICAL COAX INTERFACE, ESE		Number: Nummer: 1.940.558.00					

Optical/Coax Interface 1.940.558.00 (0)

Idx. Pos.	Part No.	Qty.	Type/Val.	Description	Idx. Pos.	Part No.	Qty.	Type/Val.	Description
0 C 1	59.60.3333		47n	CER 50V, 10%, X7R, 0805	0 R 13	57.60.1820		82R	MF, 1%, 0204, E24
0 C 2	59.60.2373		1n0	CER 50V, 5%, COG, 0805	0 R 14	57.60.1331		330R	MF, 1%, 0204, E24
0 C 3	59.60.3333		47n	CER 50V, 10%, X7R, 0805	0 R 15	57.60.1331		330R	MF, 1%, 0204, E24
0 C 4	59.60.3333		47n	CER 50V, 10%, X7R, 0805	0 R 16	57.60.1471		470R	MF, 1%, 0204, E24
0 C 5	59.60.3333		47n	CER 50V, 10%, X7R, 0805	0 R 17	57.60.1471		470R	MF, 1%, 0204, E24
0 C 6	59.60.2373		1n0	CER 50V, 5%, COG, 0805	0 R 18	57.60.1153		15k	MF, 1%, 0204, E24
0 C 7	59.60.3333		47n	CER 50V, 10%, X7R, 0805	0 R 19	57.60.1123		12k	MF, 1%, 0204, E24
0 C 8	59.60.3337		100n	CER 50V, 10%, X7R, 0805	0 R 20	57.60.1101		100R	MF, 1%, 0204, E24
0 C 9	59.60.2373		1n0	CER 50V, 5%, COG, 0805	0 R 21	57.60.1102		1k0	MF, 1%, 0204, E24
0 C 10	59.60.3337		100n	CER 50V, 10%, X7R, 0805	0 T 1	63.15.0001		1:1:1	Impuls-Transformator
0 C 11	59.60.2373		1n0	CER 50V, 5%, COG, 0805	0 T 2	63.15.0001		1:1:1	Impuls-Transformator
0 C 12	59.60.3337		100n	CER 50V, 10%, X7R, 0805					
0 C 13	59.60.3337		100n	CER 50V, 10%, X7R, 0805					
0 C 14	59.60.3337		100n	CER 50V, 10%, X7R, 0805					
0 C 15	59.60.3337		100n	CER 50V, 10%, X7R, 0805					
0 C 16	59.60.3337		100n	CER 50V, 10%, X7R, 0805					
0 C 17	59.60.3337		100n	CER 50V, 10%, X7R, 0805					
0 C 18	59.60.2373		1n0	CER 50V, 5%, COG, 0805					
0 C 19	59.60.3333		47n	CER 50V, 10%, X7R, 0805					
0 C 20	59.60.3337		100n	CER 50V, 10%, X7R, 0805					
0 C 21	59.60.2373		1n0	CER 50V, 5%, COG, 0805					
0 C 22	59.68.0065		10u	EL 16V, 4.0*5.7					
0 C 23	59.60.3337		100n	CER 50V, 10%, X7R, 0805					
0 C 24	59.60.3337		100n	CER 50V, 10%, X7R, 0805					
0 C 25	59.60.3331		33n	CER 50V, 10%, X7R, 0805					
0 C 26	59.68.0065		10u	EL 16V, 4.0*5.7					
0 C 27	59.68.0073		220u	EL 16V, 8.0*10.7					
0 C 28	59.68.0073		220u	EL 16V, 8.0*10.7					
0 C 29	59.60.3325		10n	CER 50V, 10%, X7R, 0805					
0 C 30	59.68.0111		22u	EL 35V, 6.3*5.7					
0 C 31	59.60.3315		1n5	CER 50V, 10%, X7R, 0805					
0 C 32	59.68.0111		22u	EL 35V, 6.3*5.7					
0 C 33	59.68.0065		10u	EL 16V, 4.0*5.7					
0 C 34	59.60.3325		10n	CER 50V, 10%, X7R, 0805					
0 C 35	59.68.0029		100u	EL 6V, 6.3*5.7					
0 C 36	59.68.0067		22u	EL 16V, 5.0*5.7					
0 C 37	59.60.3337		100n	CER 50V, 10%, X7R, 0805					
0 C 38	59.68.0111		22u	EL 35V, 6.3*5.7					
0 C 39	59.68.0065		10u	EL 16V, 4.0*5.7					
0 C 40	59.68.0029		100u	EL 6V, 6.3*5.7					
0 C 41	59.68.0029		100u	EL 6V, 6.3*5.7					
0 C 42	59.60.3325		10n	CER 50V, 10%, X7R, 0805					
0 C 43	59.68.0029		100u	EL 6V, 6.3*5.7					
0 D 1	50.60.8001		4448	200mA 75V 4ns SOD 80					
0 D 2	50.60.8001		4448	200mA 75V 4ns SOD 80					
0 D 3	50.60.8001		4448	200mA 75V 4ns SOD 80					
0 D 4	50.60.8001		4448	200mA 75V 4ns SOD 80					
0 D 5	50.60.8001		4448	200mA 75V 4ns SOD 80					
0 D 6	50.04.0519		1N5822	3A, Schottky					
0 DV 1	50.60.9011		5V6	5%, 0.2W, SOT 23					
0 IC 1	50.11.0156		MAX9685	ECL Comparator, latching					
0 IC 2	89.10.0021		HFBR5103	LWL Transceiver FDDI/MADI					
0 IC 3	50.11.0156		MAX9685	ECL Comparator, latching					
0 IC 4	50.10.0124		MAX660	V-Converter ... +5.5V to -5.5V					
0 IC 5	50.10.0122		L4960	L 4960,					
0 L 1	62.02.3109		1uH	20%, radial RM 5					
0 L 2	62.02.3109		1uH	20%, radial RM 5					
0 L 3	62.02.3100		10uH	10%, radial RM 5					
0 L 4	62.02.3100		10uH	10%, radial RM 5					
0 L 5	62.02.3100		10uH	10%, radial RM 5					
0 L 6	62.02.3100		10uH	10%, radial RM 5					
0 L 7	62.03.0025		250uH	2A Toroid Chocke					
0 MP 1	1.940.558.11			opt-coax Interface PCB					
0 MP 2	1.940.558.10			NR. ETIKETTE 5 * 20					
0 MP 3	43.01.0108		Label	ESE-WARNSCHILD					
0 MP 4	50.20.3011			Kühlkörper, TO 220, vertikal					
0 MP 5	54.01.0021		Jumper	0.63*0.63mm, Au					
0 MP 6	28.99.0119	2 pcs		ROHRNIETE D 2.5*0.15* 9					
0 P 1	54.21.2021		BNC	BNC 1p, angle, PCB					
0 P 2	54.21.2021		BNC	BNC 1p, angle, PCB					
0 P 3	54.01.0020		1p	Pin, 1reihig, gerade					
0 P 4	54.01.0020		1p	Pin, 1reihig, gerade					
0 P 5	54.01.0020		1p	Pin, 1reihig, gerade					
0 P 6	54.01.0359		32p	EU-B 2*16p					
0 Q 1	50.60.7001		BT138B	Triac 8A, 600V, SOT 404					
0 R 1	57.60.1750		75R	MF, 1%, 0204, E24					
0 R 2	57.60.1100		10R	MF, 1%, 0204, E24					
0 R 3	57.60.1560		56R	MF, 1%, 0204, E24					
0 R 4	57.60.1100		10R	MF, 1%, 0204, E24					
0 R 5	57.60.1122		1k2	MF, 1%, 0204, E24					
0 R 6	57.60.1101		100R	MF, 1%, 0204, E24					
0 R 7	57.60.1101		100R	MF, 1%, 0204, E24					
0 R 8	57.60.1221		220R	MF, 1%, 0204, E24					
0 R 9	57.60.1221		220R	MF, 1%, 0204, E24					
0 R 10	57.60.1131		130R	MF, 1%, 0204, E24					
0 R 11	57.60.1131		130R	MF, 1%, 0204, E24					
0 R 12	57.60.1820		82R	MF, 1%, 0204, E24					

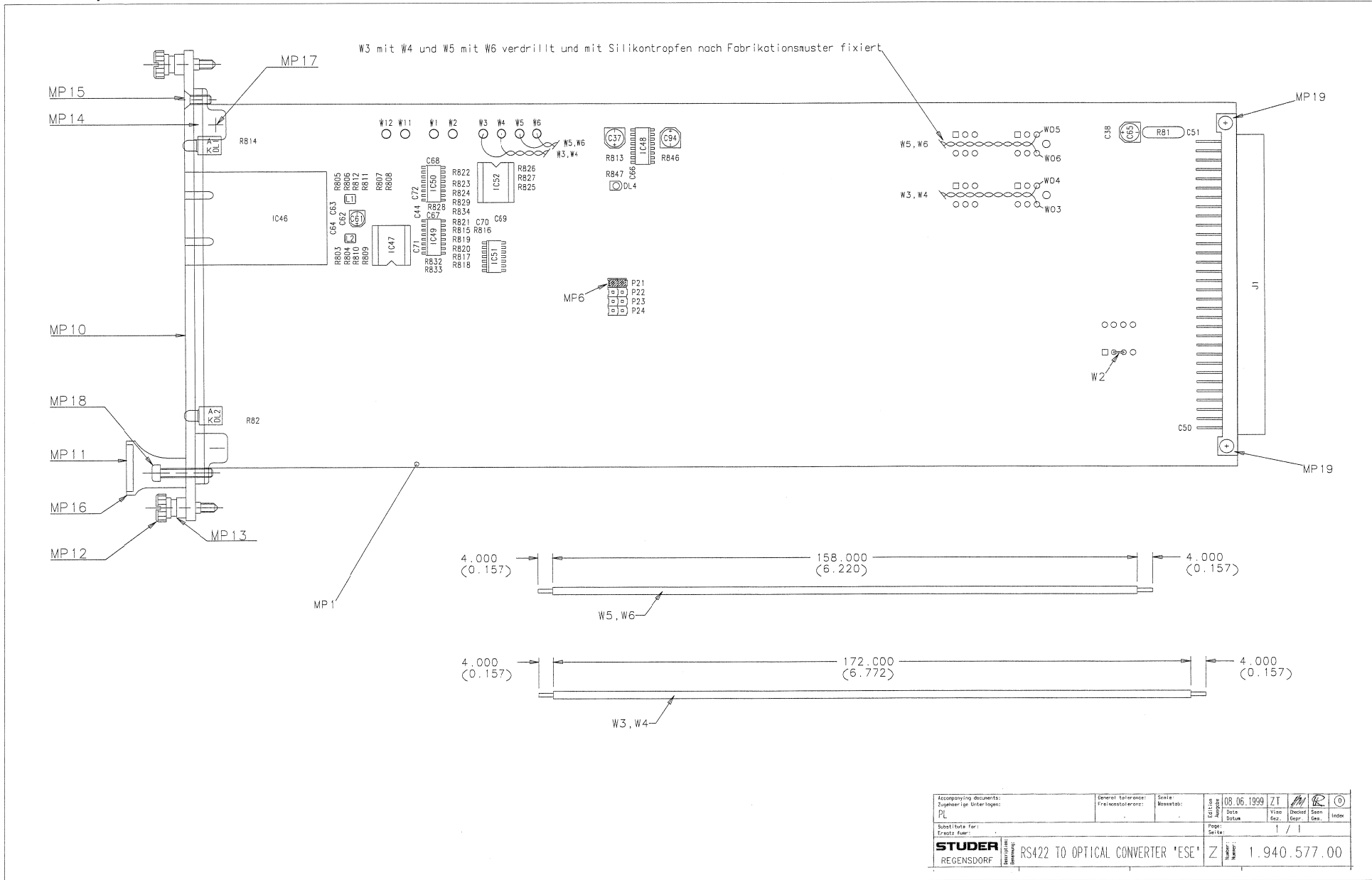
End of List

RS 422 To Optical Converter 1.940.577.00





RS 422 To Optical Converter 1.940.577.00

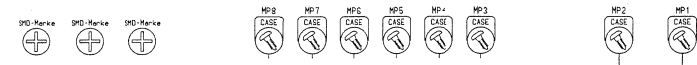
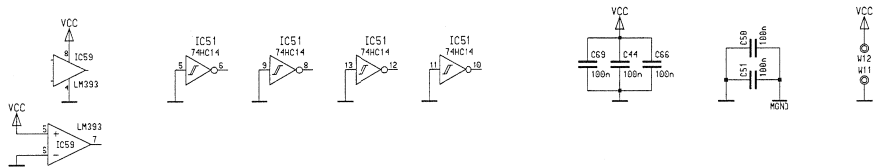
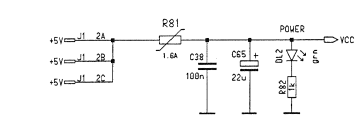
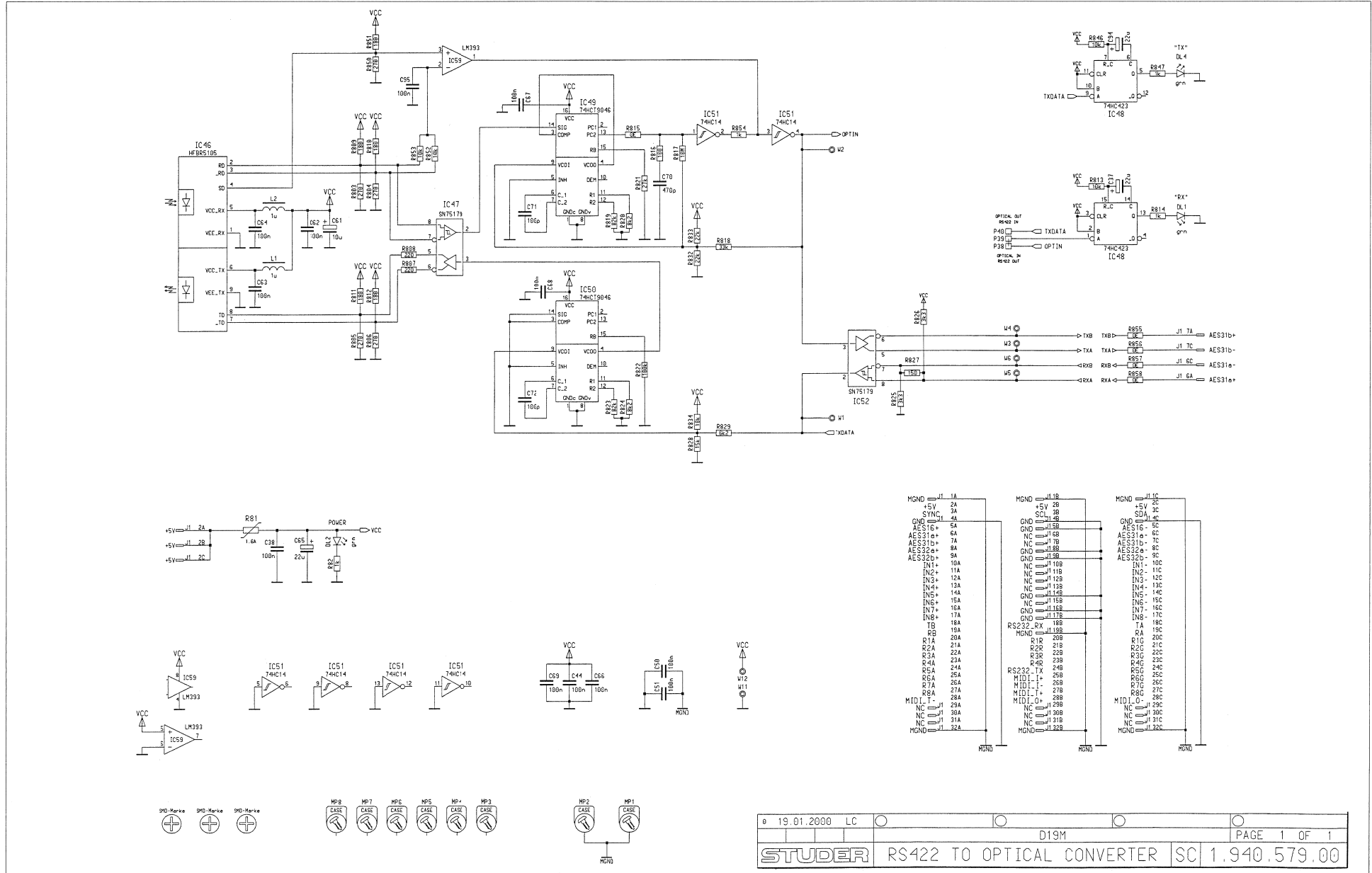




RS 422 To Optical Converter I.940.577.00

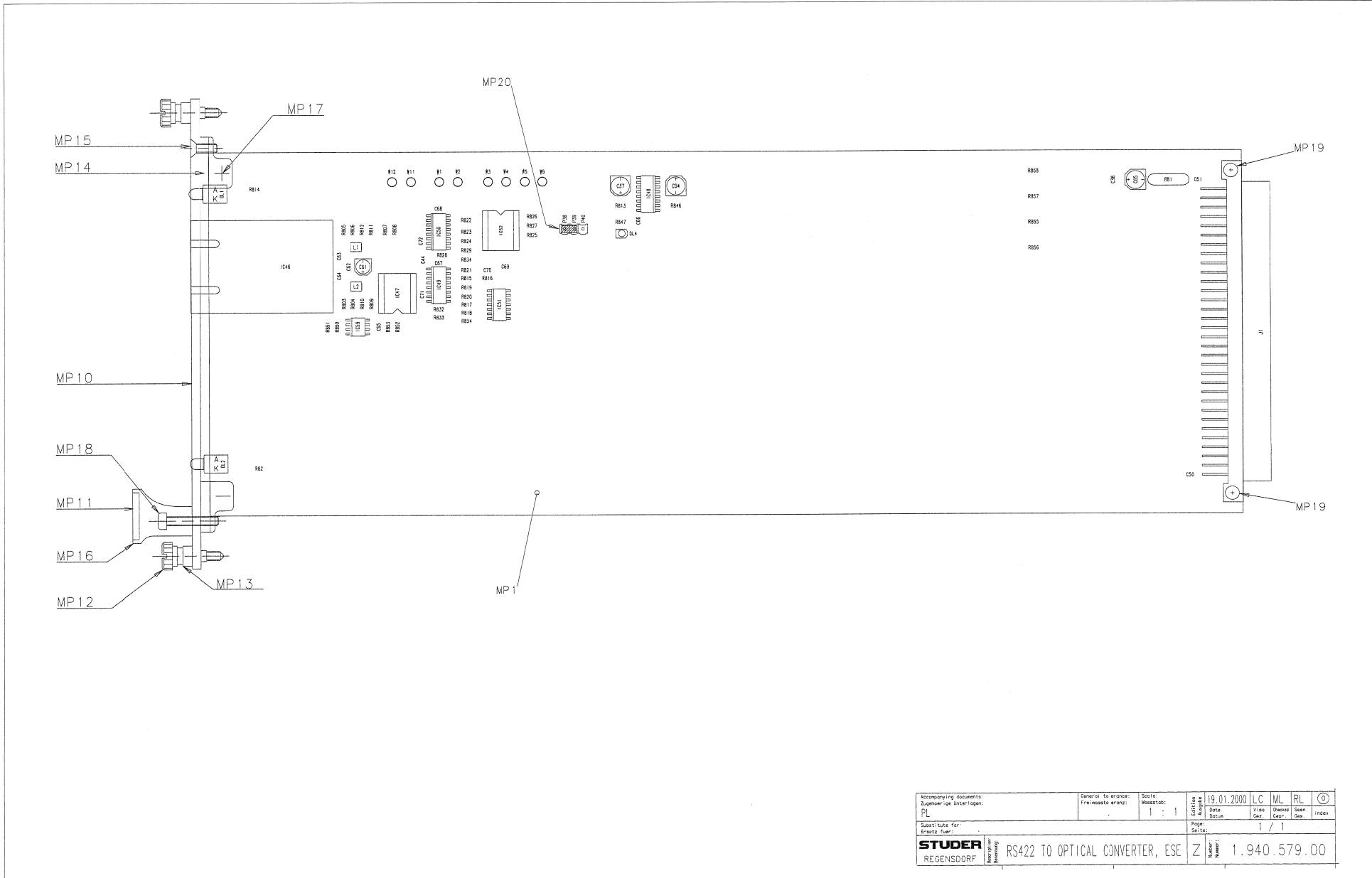
Idx	Pos.	Part No.	Qty.	Type/Val.	Description	Idx	Pos.	Part No.	Qty.	Type/Val.	Description
0	C 37	59.68.0067		22u	C-EL 16V, 5.0*5.7	0	R 829	57.60.1622		6K2	MF, 1%, 0204, E24
0	C 38	59.60.3337		100n	CER 50V, 10%, X7R, 0805	0	R 832	57.60.1223		22K	MF, 1%, 0204, E24
0	C 44	59.60.3337		100n	CER 50V, 10%, X7R, 0805	0	R 833	57.60.1223		22K	MF, 1%, 0204, E24
0	C 50	59.60.3337		100n	CER 50V, 10%, X7R, 0805	0	R 834	57.60.1103		10K	MF, 1%, 0204, E24
0	C 51	59.60.3337		100n	CER 50V, 10%, X7R, 0805	0	R 846	57.60.1103		10K	MF, 1%, 0204, E24
0	C 61	59.68.0065		10u	C-EL 16V, 4.0*5.7	0	R 847	57.60.1102		1K	MF, 1%, 0204, E24
0	C 62	59.60.3337		100n	CER 50V, 10%, X7R, 0805						
0	C 63	59.60.3337		100n	CER 50V, 10%, X7R, 0805	0	W 2	1.010.329.64		Wire	DRAHTBRUECKE U, 4.3* 2.5, 0.6
0	C 64	59.60.3337		100n	CER 50V, 10%, X7R, 0805	0	W 3	64.02.0183	180 mm		LITZE OR AWG 26
0	C 65	59.68.0067		22u	C-EL 16V, 5.0*5.7	0	W 4	64.02.0184	180 mm		LITZE GB AWG 26
0	C 66	59.60.3337		100n	CER 50V, 10%, X7R, 0805	0	W 5	64.02.0185	166 mm		LITZE GN AWG 26
0	C 67	59.60.3337		100n	CER 50V, 10%, X7R, 0805	0	W 6	64.02.0186	166 mm		LITZE BL AWG 26
0	C 68	59.60.3337		100n	CER 50V, 10%, X7R, 0805						
0	C 69	59.60.3337		100n	CER 50V, 10%, X7R, 0805	0	XDL 1	50.20.2501		Spacer	LED-Sockel
0	C 70	59.60.2365		470p	CER 50V, 5%, COG, 0805	0	XDL 2	50.20.2501		Spacer	LED-Sockel
0	C 71	59.60.2249		100p	CER 50V, 5%, COG, 0803						
0	C 72	59.60.2249		100p	CER 50V, 5%, COG, 0803						
0	C 94	59.68.0067		22u	C-EL 16V, 5.0*5.7	0	XIC 52	53.03.0166		8p	DIL 0.3", lötl, gerade
End of List											
Comments											
0	DL 1	50.04.2202		HLMP1790	DL HLMP - 1790 GN						
0	DL 2	50.04.2202		HLMP1790	DL HLMP - 1790 GN						
0	DL 4	not used		TLUG 2401	DL TLUG 2401 GN MATT						
0	IC 46	89.10.0021		HFBRS105	LWL Transceiver FDDI/MADI						
0	IC 47	50.15.0126		75179B	IC SN 75179B P						
0	IC 48	50.62.1423		74HC423	Dual multivibr monost retrigger						
0	IC 49	50.62.4946		74HCT9046	PLL with bandgap contr VCO						
0	IC 50	50.62.4946		74HCT9046	PLL with bandgap contr VCO						
0	IC 51	50.62.1014		74HC 14	Hex Schmitt trigger inverter						
0	IC 52	50.15.0126		75179B	IC SN 75179B P						
0	J 1	54.11.2009		96p	EU-R 3*32p						
0	L 1	62.60.0101		1.0uH	10%, SMD 1210						
0	L 2	62.60.0101		1.0uH	10%, SMD 1210						
0	MP 1	1.940.576.11			Processor Board PCB						
0	MP 2	1.940.577.04			Typenschild						
0	MP 3	43.01.0108		Label	ESE-WARNschild						
0	MP 6	54.01.0021	1 pce	Jumper	0.63 * 0.63mm						
0	MP 10	1.940.576.01	1 pce		FRONTPLATTE RCC						
0	MP 11	1.940.600.04	1 pce		GRIFFEINLAGE 4TE						
0	MP 12	49.02.0520	2 pcs	M2.5*12	Randelschraube (Rack)						
0	MP 13	49.02.0521	2 pcs		Metall-Buchse (Rack)						
0	MP 14	49.02.0522	2 pcs		Kartenhalter (Rack)						
0	MP 15	49.02.0523	1 pce	M2.5*7	Senk-Schr, KS, Senkripp						
0	MP 16	49.02.0504	1 pce	4TE	Frontplatten-Griff						
0	MP 17	21.53.0279	2 pcs	M2.5*6	Z-Schraube Inbus Zn gb chr						
0	MP 18	21.53.0284	1 pce	M2.5*16	Z-Schraube Inbus Zn gb chr						
0	MP 19	28.99.0119	2 pcs		ROHRNIETE D.2.5*0.15* 9						
0	P 21	54.01.0020	2 pcs	1p	Pin 0.63*0.63						
0	P 22	54.01.0020	2 pcs	1p	Pin 0.63*0.63						
0	P 23	54.01.0020	2 pcs	1p	Pin 0.63*0.63						
0	P 24	54.01.0020	2 pcs	1p	Pin 0.63*0.63						
0	R 81	57.92.7053		1.6A	POLY- PTC, 30V						
0	R 82	57.60.1102		1K	MF, 1%, 0204, E24						
0	R 803	57.60.1271		270R	MF, 1%, 0204, E24						
0	R 804	57.60.1271		270R	MF, 1%, 0204, E24						
0	R 805	57.60.1271		270R	MF, 1%, 0204, E24						
0	R 806	57.60.1271		270R	MF, 1%, 0204, E24						
0	R 807	57.60.1221		220R	MF, 1%, 0204, E24						
0	R 808	57.60.1221		220R	MF, 1%, 0204, E24						
0	R 809	57.60.1181		180R	MF, 1%, 0204, E24						
0	R 810	57.60.1181		180R	MF, 1%, 0204, E24						
0	R 811	57.60.1181		180R	MF, 1%, 0204, E24						
0	R 812	57.60.1181		180R	MF, 1%, 0204, E24						
0	R 813	57.60.1103		10K	MF, 1%, 0204, E24						
0	R 814	57.60.1102		1K	MF, 1%, 0204, E24						
0	R 815	57.60.1000		0R0	MF, 0204						
0	R 816	57.60.1101		100R	MF, 1%, 0204, E24						
0	R 817	57.60.1106		10M	MF, 1%, 0204, E24						
0	R 818	57.60.1333		33K	MF, 1%, 0204, E24						
0	R 819	57.60.1823		82K	MF, 1%, 0204, E24						
0	R 820	57.60.1622		8K2	MF, 1%, 0204, E24						
0	R 821	57.60.1273		27K	MF, 1%, 0204, E24						
0	R 822	57.60.1104		100K	MF, 1%, 0204, E24						
0	R 823	57.60.1823		82K	MF, 1%, 0204, E24						
0	R 824	57.60.1822		8K2	MF, 1%, 0204, E24						
0	R 825	57.60.1332		3K3	MF, 1%, 0204, E24						
0	R 826	57.60.1332		3K3	MF, 1%, 0204, E24						
0	R 827	57.60.1151		150R	MF, 1%, 0204, E24						
0	R 828	57.60.1153		15K	MF, 1%, 0204, E24						

RS 422 to Optical Converter 1.940.579.00





RS 422 to Optical Converter 1.940.579.00



Accompanying documents: Zugewordene Unterlagen: PL	General to archive: Freigegeben an: 1 : 1	Scale: Massstab: 1 : 1	Edition: Ausgabe 19.01.2000 Date Datum	LC Ver. 1 / 1	ML Zeich. 1 / 1	RL Seen Des. Index
Substitute for: Ersatz für:			Page: Seite:		Z	
STUDER REGENSDORF			Name: RS422 TO OPTICAL CONVERTER, ESE		Number: 1.940.579.00	



RS 422 to Optical Converter 1.940.579.00

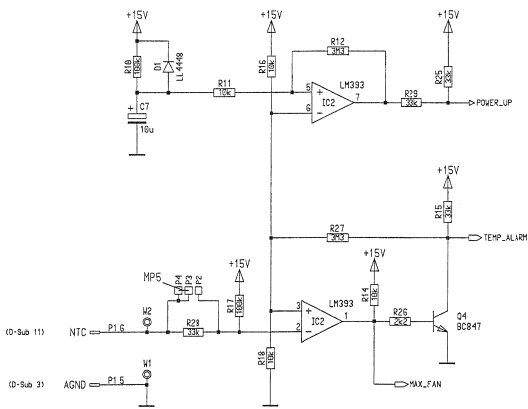
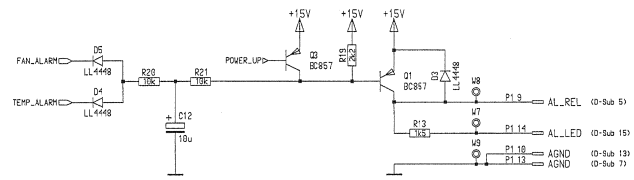
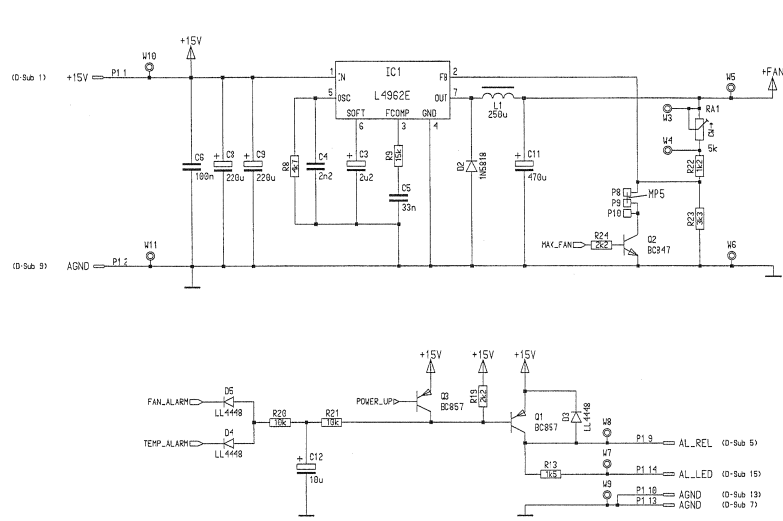
Idx	Pos.	Part No.	Qty.	Type/Val.	Description	Idx	Pos.	Part No.	Qty.	Type/Val.	Description
0	C 37	59.68.0067		22u	EL 16V, 5.0*5.7	0	MP 18	21.53.0284	1 pce	M2.5*16	Z-Schraube Inbus Zn gb chr
0	C 38	59.60.3337		100n	CER 50V, 10%, X7R, 0805	0	MP 19	28.99.0119	2 pcs		ROHRNIETE D 2.5*0.15* 9
0	C 44	59.60.3337		100n	CER 50V, 10%, X7R, 0805	0	MP 20	54.01.0021	1 pce	Jumper	0.63 * 0.63mm
0	C 50	59.60.3337		100n	CER 50V, 10%, X7R, 0805	0	P 38	54.01.0020	1 pcs	1p	Pin 0.63*0.63
0	C 51	59.60.3337		100n	CER 50V, 10%, X7R, 0805	0	P 39	54.01.0020	1 pcs	1p	Pin 0.63*0.63
0	C 61	59.68.0065		10u	EL 16V, 4.0*5.7	0	P 40	54.01.0020	1 pcs	1p	Pin 0.63*0.63
0	C 62	59.60.3337		100n	CER 50V, 10%, X7R, 0805	0	R 81	57.92.7053		1.6A	PTC 30V
0	C 63	59.60.3337		100n	CER 50V, 10%, X7R, 0805	0	R 82	57.60.1102		1K	MF, 1%, 0204, E24
0	C 64	59.60.3337		100n	CER 50V, 10%, X7R, 0805	0	R 803	57.60.1271		270R	MF, 1%, 0204, E24
0	C 65	59.68.0067		22u	EL 16V, 5.0*5.7	0	R 804	57.60.1271		270R	MF, 1%, 0204, E24
0	C 66	59.60.3337		100n	CER 50V, 10%, X7R, 0805	0	R 805	57.60.1271		270R	MF, 1%, 0204, E24
0	C 67	59.60.3337		100n	CER 50V, 10%, X7R, 0805	0	R 806	57.60.1271		270R	MF, 1%, 0204, E24
0	C 68	59.60.3337		100n	CER 50V, 10%, X7R, 0805	0	R 807	57.60.1221		220R	MF, 1%, 0204, E24
0	C 69	59.60.3337		100n	CER 50V, 10%, X7R, 0805	0	R 808	57.60.1221		220R	MF, 1%, 0204, E24
0	C 70	59.60.2365		470p	CER 50V, 5%, C0G, 0805	0	R 809	57.60.1181		180R	MF, 1%, 0204, E24
0	C 71	59.60.2249		100p	CER 50V, 5%, C0G, 0603	0	R 810	57.60.1181		180R	MF, 1%, 0204, E24
0	C 72	59.60.2249		100p	CER 50V, 5%, C0G, 0603	0	R 811	57.60.1181		180R	MF, 1%, 0204, E24
0	C 94	59.68.0067		22u	EL 16V, 5.0*5.7	0	R 812	57.60.1181		180R	MF, 1%, 0204, E24
0	C 95	59.60.3337		100n	CER 50V, 10%, X7R, 0805	0	R 813	57.60.1103		10K	MF, 1%, 0204, E24
0	DL 1	50.04.2202		HLMP1790	DL HLMP - 1790 GN	0	R 814	57.60.1102		1K	MF, 1%, 0204, E24
0	DL 2	50.04.2202		HLMP1790	DL HLMP - 1790 GN	0	R 815	57.60.1000		0R0	MF, 0204
0	DL 4	not used		TLUG 2401	DL TLUG 2401 GN MATT	0	R 816	57.60.1101		100R	MF, 1%, 0204, E24
0	IC 46	89.10.0021		HFBR5105	LWL Transceiver FDDI/MADI	0	R 817	57.60.1106		10M	MF, 1%, 0204, E24
0	IC 47	50.15.0126		75179B	IC SN 75179B P	0	R 818	57.60.1333		33K	MF, 1%, 0204, E24
0	IC 48	50.62.1423		74HC423	Dual multivibr monost retrigg	0	R 819	57.60.1823		82K	MF, 1%, 0204, E24
0	IC 49	50.62.4946		74HCT9046	PLL with bandgap contr VCO	0	R 820	57.60.1822		8K2	MF, 1%, 0204, E24
0	IC 50	50.62.4946		74HCT9046	PLL with bandgap contr VCO	0	R 821	57.60.1273		27K	MF, 1%, 0204, E24
0	IC 51	50.62.1014		74HC 14	Hex Schmitt trigger inverter	0	R 822	57.60.1104		100K	MF, 1%, 0204, E24
0	IC 52	50.15.0126		75179B	IC SN 75179B P	0	R 823	57.60.1823		82K	MF, 1%, 0204, E24
0	IC 59	50.61.9001		LM393	Dual voltage comp. SO 8	0	R 824	57.60.1822		8K2	MF, 1%, 0204, E24
0	J 1	54.11.2009		96p	EU-R 3*32p	0	R 825	57.60.1332		3K3	MF, 1%, 0204, E24
0	L 1	62.60.0101		1.0uH	10%, SMD 1210	0	R 826	57.60.1332		3K3	MF, 1%, 0204, E24
0	L 2	62.60.0101		1.0uH	10%, SMD 1210	0	R 827	57.60.1151		150R	MF, 1%, 0204, E24
0	MP 1	1.940.576.12			Processor Board PCB	0	R 828	57.60.1153		15K	MF, 1%, 0204, E24
0	MP 2	1.940.579.04			Typenschild	0	R 829	57.60.1622		6K2	MF, 1%, 0204, E24
0	MP 3	43.01.0108		Label	ESE-WARNSCHILD	0	R 832	57.60.1223		22K	MF, 1%, 0204, E24
0	MP 10	1.940.576.01	1 pce		FRONTPLATTE RCC	0	R 833	57.60.1223		22K	MF, 1%, 0204, E24
0	MP 11	1.940.600.04	1 pce		GRIFFEINLAGE 4TE	0	R 834	57.60.1103		10K	MF, 1%, 0204, E24
0	MP 12	49.02.0520	2 pcs	M2.5*12	Rändelschraube (Rack)	0	R 846	57.60.1103		10K	MF, 1%, 0204, E24
0	MP 13	49.02.0521	2 pcs		Metall-Buchse (Rack)	0	R 847	57.60.1102		1K	MF, 1%, 0204, E24
0	MP 14	49.02.0522	2 pcs		Kartenhalter (Rack)	0	R 850	57.60.1271		270R	MF, 1%, 0204, E24
0	MP 15	49.02.0523	1 pce	M2.5*7	Senk-Schr, KS, Senkripp	0	R 851	57.60.1181		180R	MF, 1%, 0204, E24
0	MP 16	49.02.0504	1 pce	4TE	Frontplatten-Griff	0	R 852	57.60.1103		10K	MF, 1%, 0204, E24
0	MP 17	21.53.0279	2 pcs	M2.5*6	Z-Schraube Inbus Zn gb chr	0	R 853	57.60.1103		10K	MF, 1%, 0204, E24
						0	R 854	57.60.1102		1K	MF, 1%, 0204, E24
						0	R 855	57.60.1000		0R0	MF, 0204
						0	R 856	57.60.1000		0R0	MF, 0204
						0	R 857	57.60.1000		0R0	MF, 0204
						0	R 858	57.60.1000		0R0	MF, 0204
						0	XDL 1	50.20.2501		Spacer	LED-Sockel
						0	XDL 2	50.20.2501		Spacer	LED-Sockel
						0	XIC 52	53.03.0166		8p	DIL 0.3", lötl, gerade

End of List

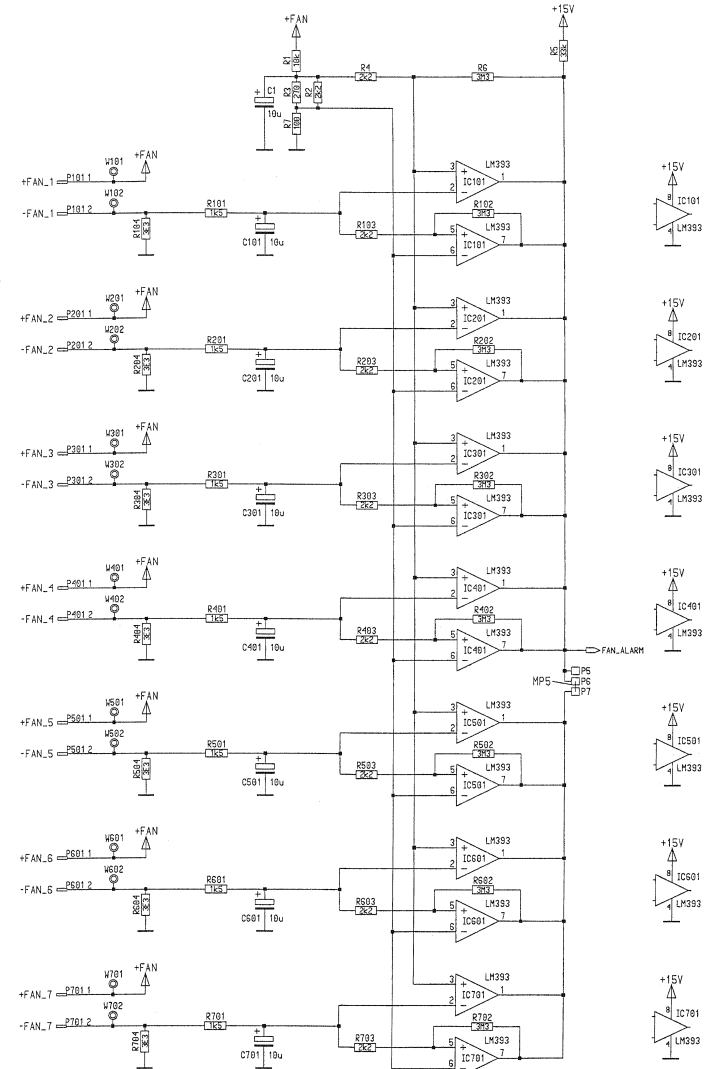
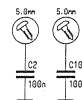
Comments



Fan Regulation 1.940.596.81

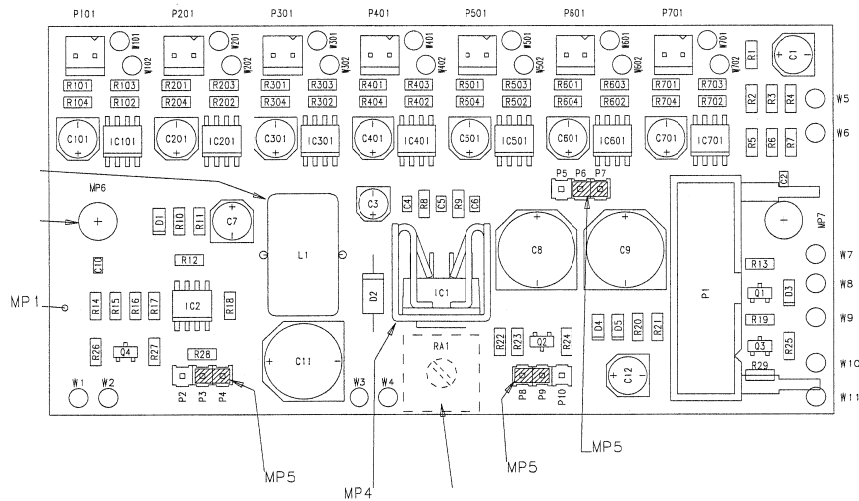


- (D-Sub 21) P1 3
- (D-Sub 10) P1 4
- (D-Sub 4) P1 7
- (D-Sub 12) P1 8
- (D-Sub 8) P1 11
- (D-Sub 14) P1 12
- (D-Sub 8) P1 15
- (D-Sub 10) P1 16





Fan Regulation 1.940.596.81



Idx	Pos.	Part No.	Qty.	Type/Val.	Description	Idx	Pos.	Part No.	Qty.	Type/Val.	Description
0	∞ 1	59.68.0109	10u		C-EL 35V, 5.0*5.7	0	R 18	57.60.1103	10K		MF, 1%, 0204, E24
0	∞ 2	59.60.3337	100n		CER 50V, 10%, X7R, 0805	0	R 19	57.60.1222	2K2		MF, 1%, 0204, E24
0	∞ 3	59.68.0129	2u2		C-EL 50V, 4.0*5.7	0	R 20	57.60.1103	10K		MF, 1%, 0204, E24
0	∞ 4	59.60.3317	2n2		CER 50V, 10%, X7R, 0805	0	R 21	57.60.1103	10K		MF, 1%, 0204, E24
0	∞ 5	59.60.3331	33n		CER 50V, 10%, X7R, 0805	0	R 22	57.60.1152	1K8		MF, 1%, 0204, E24
0	∞ 6	59.60.3337	100n		CER 50V, 10%, X7R, 0805	0	R 23	57.60.1472	4K7		MF, 1%, 0204, E24
0	∞ 7	59.68.0109	10u		C-EL 35V, 5.0*5.7	0	R 24	57.60.1222	2K2		MF, 1%, 0204, E24
0	∞ 8	59.68.0117	220u		C-EL 35V, 10 *10.7	0	R 25	57.60.1333	33K		MF, 1%, 0204, E24
0	∞ 9	59.68.0117	220u		C-EL 35V, 10 *10.7	0	R 26	57.60.1222	2K2		MF, 1%, 0204, E24
0	∞ 10	59.60.3337	100n		CER 50V, 10%, X7R, 0805	0	R 27	57.60.1335	3M3		MF, 1%, 0204, E24
0	∞ 11	59.68.0075	470u		C-EL 35V, 10 *10.7	0	R 28	57.60.1333	33K		MF, 1%, 0204, E24
0	∞ 12	59.68.0109	10u		C-EL 35V, 5.0*5.7	0	R 29	57.60.1333	33K		MF, 1%, 0204, E24
0	∞ 101	59.68.0109	10u		C-EL 35V, 5.0*5.7	0	R 101	57.60.1152	1K5		MF, 1%, 0204, E24
0	∞ 201	59.68.0109	10u		C-EL 35V, 5.0*5.7	0	R 102	57.60.1335	3M3		MF, 1%, 0204, E24
0	∞ 301	59.68.0109	10u		C-EL 35V, 5.0*5.7	0	R 103	57.60.1222	2K2		MF, 1%, 0204, E24
0	∞ 401	59.68.0109	10u		C-EL 35V, 5.0*5.7	0	R 104	57.60.1339	3R3		MF, 1%, 0204, E24
0	∞ 501	59.68.0109	10u		C-EL 35V, 5.0*5.7	0	R 201	57.60.1152	1K5		MF, 1%, 0204, E24
0	∞ 601	59.68.0109	10u		C-EL 35V, 5.0*5.7	0	R 202	57.60.1335	3M3		MF, 1%, 0204, E24
0	∞ 701	59.68.0109	10u		C-EL 35V, 5.0*5.7	0	R 203	57.60.1222	2K2		MF, 1%, 0204, E24
0	∞ 1	50.60.8001	4448		200mA 75V 4ns SOD 80	0	R 204	57.60.1339	3R3		MF, 1%, 0204, E24
0	∞ 2	50.04.0512	1N5818		D 1N 5818, 1N 5819	0	R 301	57.60.1152	1K5		MF, 1%, 0204, E24
0	∞ 3	50.60.8001	4448		200mA 75V 4ns SOD 80	0	R 302	57.60.1335	3M3		MF, 1%, 0204, E24
0	∞ 4	50.60.8001	4448		200mA 75V 4ns SOD 80	0	R 303	57.60.1222	2K2		MF, 1%, 0204, E24
0	∞ 5	50.60.8001	4448		200mA 75V 4ns SOD 80	0	R 304	57.60.1339	3R3		MF, 1%, 0204, E24
0	∞ 6	50.60.8001	4448		200mA 75V 4ns SOD 80	0	R 401	57.60.1152	1K5		MF, 1%, 0204, E24
0	∞ C 1	50.10.0118	L4982		IC L 4982 E,	0	R 402	57.60.1335	3M3		MF, 1%, 0204, E24
0	∞ C 2	50.61.9001	LM393		Dual voltage comp. SO 8	0	R 403	57.60.1222	2K2		MF, 1%, 0204, E24
0	∞ C 101	50.61.9001	LM393		Dual voltage comp. SO 8	0	R 404	57.60.1339	3R3		MF, 1%, 0204, E24
0	∞ C 201	50.61.9001	LM393		Dual voltage comp. SO 8	0	R 501	57.60.1152	1K5		MF, 1%, 0204, E24
0	∞ C 301	50.61.9001	LM393		Dual voltage comp. SO 8	0	R 502	57.60.1335	3M3		MF, 1%, 0204, E24
0	∞ C 401	50.61.9001	LM393		Dual voltage comp. SO 8	0	R 503	57.60.1222	2K2		MF, 1%, 0204, E24
0	∞ C 501	50.61.9001	LM393		Dual voltage comp. SO 8	0	R 504	57.60.1339	3R3		MF, 1%, 0204, E24
0	∞ C 601	50.61.9001	LM393		Dual voltage comp. SO 8	0	R 601	57.60.1152	1K5		MF, 1%, 0204, E24
0	∞ C 601	50.61.9001	LM393		Dual voltage comp. SO 8	0	R 602	57.60.1335	3M3		MF, 1%, 0204, E24
0	∞ C 701	50.61.9001	LM393		Dual voltage comp. SO 8	0	R 603	57.60.1222	2K2		MF, 1%, 0204, E24
0	∞ R 1	62.03.0005	250uH		1A Toroid Core	0	R 604	57.60.1339	3R3		MF, 1%, 0204, E24
0	∞ VP 1	1.940.596.12			Fan Regulation PCB	0	R 701	57.60.1152	1K5		MF, 1%, 0204, E24
0	∞ VP 2	1.940.596.10			Nr. Etikette	0	R 702	57.60.1335	3M3		MF, 1%, 0204, E24
0	∞ VP 3	43.01.0108		Label	ESE-WARNschild	0	R 703	57.60.1222	2K2		MF, 1%, 0204, E24
0	∞ VP 4	50.20.3011			Kühlkörper, TO 220, vertikal	0	R 704	57.60.1339	3R3		MF, 1%, 0204, E24
0	∞ VP 5	54.01.0021	3 pcs	Jumper	0.63 * 0.63mm	0	RA 1	98.01.8502	5k		Cermet, 10%, 0.5W, horizontal
0	∞ VP 6	1.010.018.22			NIETMUTTER SW 6 M 3 * 5						End of List
0	∞ VP 7	1.010.018.22			NIETMUTTER SW 6 M 3 * 5						
0	∞ P 1	54.4.2102	16p		P STECKER 16 PAU,VR,GERADE						
0	∞ 2	54.C1.0020	1p		Pin 0.63*0.63						
0	∞ 3	54.C1.0020	1p		Pin 0.63*0.63						
0	∞ 4	54.C1.0020	1p		Pin 0.63*0.63						
0	∞ 5	54.C1.0020	1p		Pin 0.63*0.63						
0	∞ 6	54.C1.0020	1p		Pin 0.63*0.63						
0	∞ 7	54.C1.0020	1p		Pin 0.63*0.63						
0	∞ 8	54.C1.0020	1p		Pin 0.63*0.63						
0	∞ 9	54.C1.0020	1p		Pin 0.63*0.63						
0	∞ 10	54.C1.0020	1p		Pin 0.63*0.63						
0	∞ P 101	54.12.0702	2p		Stecker gerade PCB						
0	∞ P 201	54.12.0702	2p		Stecker gerade PCB						
0	∞ P 301	54.12.0702	2p		Stecker gerade PCB						
0	∞ P 401	54.12.0702	2p		Stecker gerade PCB						
0	∞ P 501	54.12.0702	2p		Stecker gerade PCB						
0	∞ P 601	54.12.0702	2p		Stecker gerade PCB						
0	∞ P 701	54.12.0702	2p		Stecker gerade PCB						
0	∞ Q 1	50.60.1001			BC857B PNP 45V 100mA SOT 23						
0	∞ Q 2	50.60.0001			BC847B NPN 45V 100mA SOT 23						
0	∞ Q 3	50.60.1001			BC857B PNP 45V 100mA SOT 23						
0	∞ Q 4	50.60.0001			BC847B NPN 45V 100mA SOT 23						
0	R 1	57.60.1103	10K		MF, 1%, 0204, E24						
0	R 2	57.60.1222	2K2		MF, 1%, 0204, E24						
0	R 3	57.60.1271	270R		MF, 1%, 0204, E24						
0	R 4	57.60.1222	2K2		MF, 1%, 0204, E24						
0	R 5	57.60.1333	33K		MF, 1%, 0204, E24						
0	R 6	57.60.1335	3M3		MF, 1%, 0204, E24						
0	R 7	57.60.1101	100R		MF, 1%, 0204, E24						
0	R 8	57.60.1472	4K7		MF, 1%, 0204, E24						
0	R 9	57.60.1153	15K		MF, 1%, 0204, E24						
0	R 10	57.60.1104	100K		MF, 1%, 0204, E24						
0	R 11	57.60.1103	10K		MF, 1%, 0204, E24						
0	R 12	57.60.1335	3M3		MF, 1%, 0204, E24						
0	R 13	57.60.1152	1K5		MF, 1%, 0204, E24						
0	R 14	57.60.1103	10K		MF, 1%, 0204, E24						
0	R 15	57.60.1333	33K		MF, 1%, 0204, E24						
0	R 16	57.60.1103	10K		MF, 1%, 0204, E24						
0	R 17	57.60.1104	100K		MF, 1%, 0204, E24						

Accompanying documents:
Zugabeunterlagen:
PL_EV640

General tolerances:
Freiisoleranz:
1.5 : 1

Scale:
Maßstab:
1.5 : 1

Issue date:
Ausgabedatum:
30.06.1999

Version:
Version:
LC

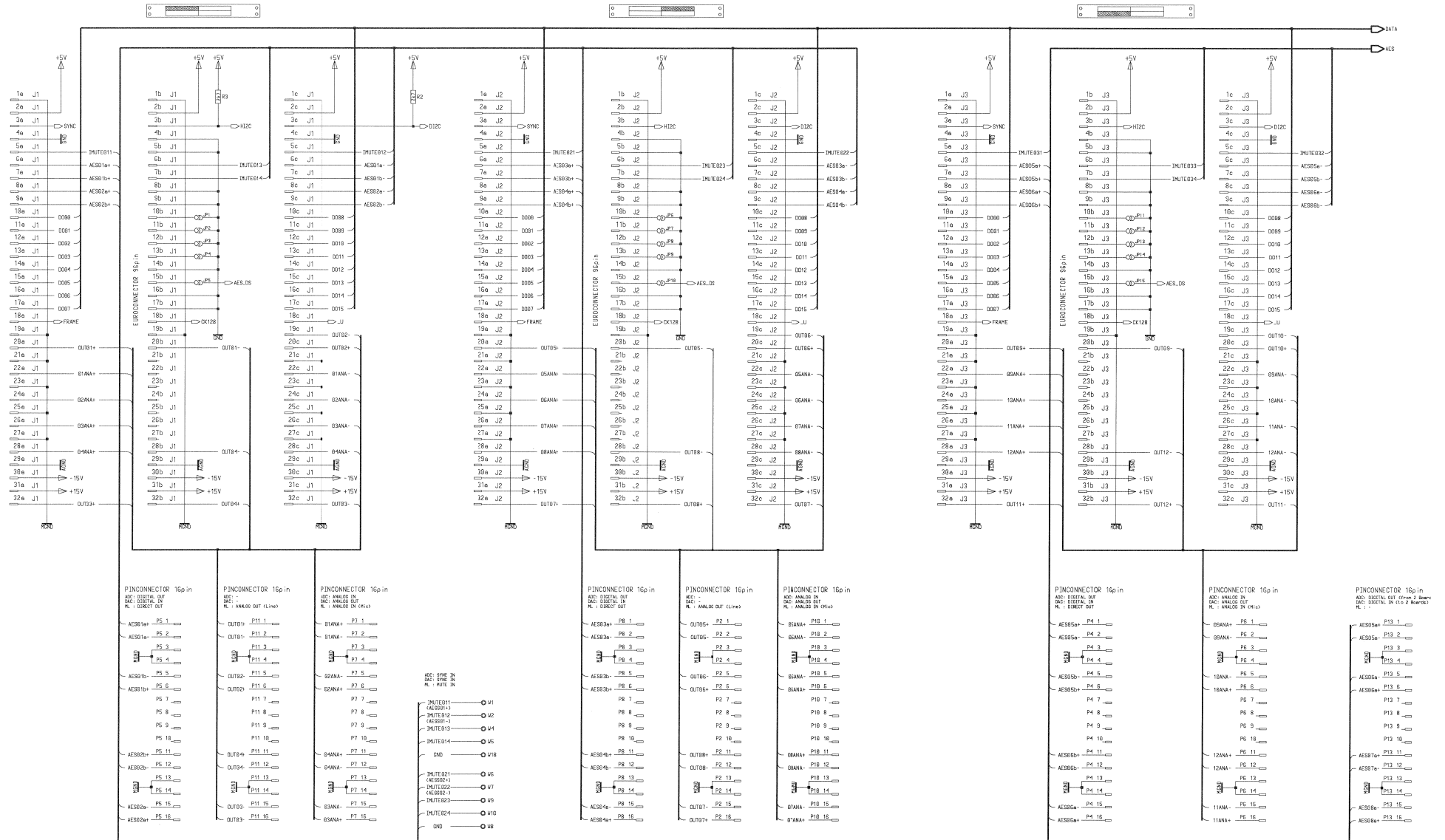
Drawings:
Zeichnungen:
1 / 1

Number:
Nummer:
1.940.596.81

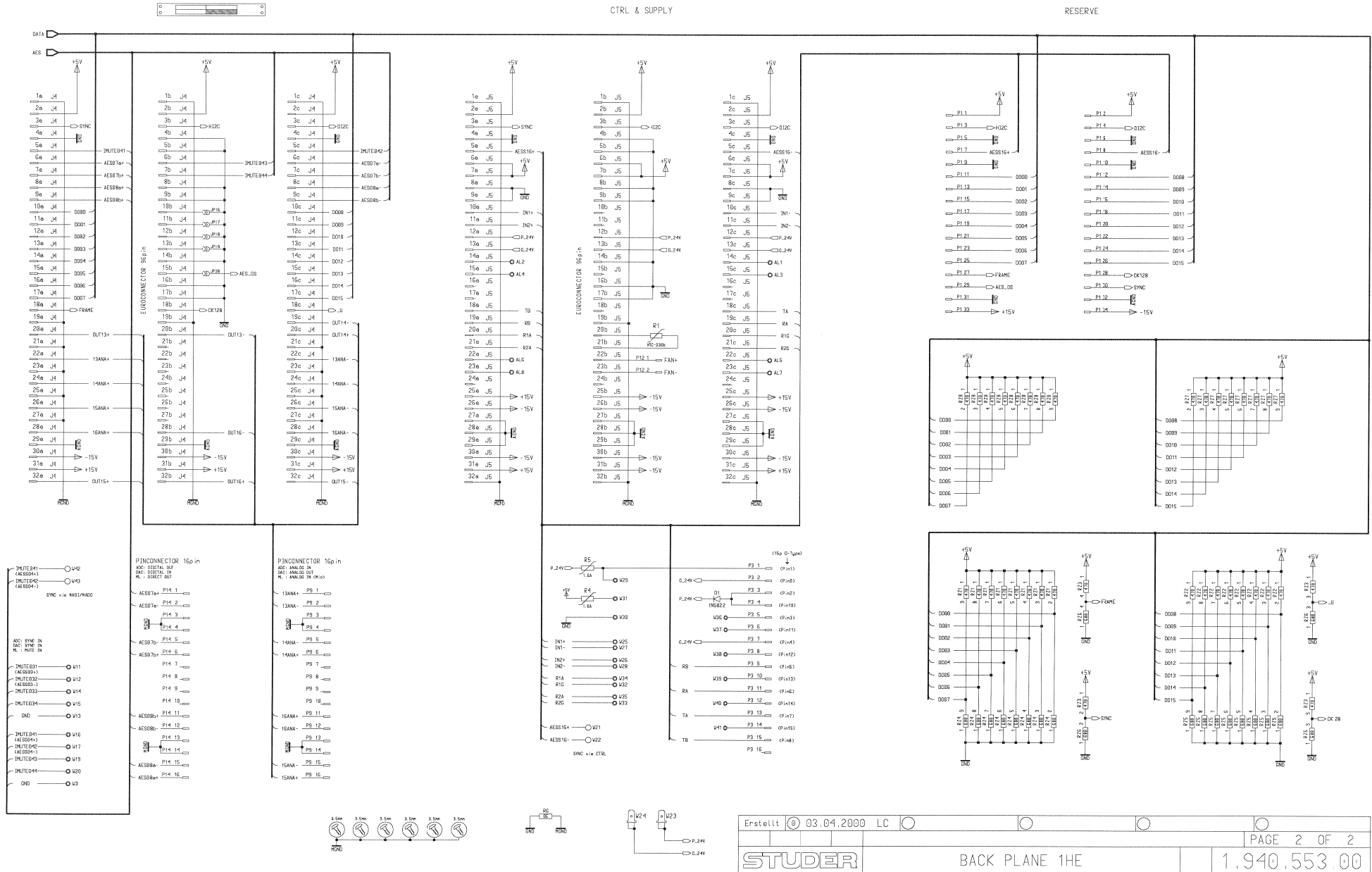
STUDER
REGENSDORF

Fan Regulation, ESE

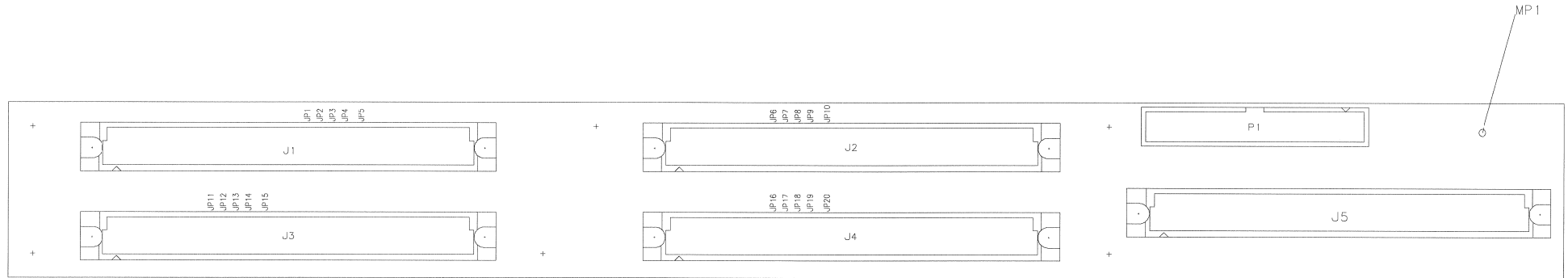
Back Plane 1U 1.940.553.00 (0)



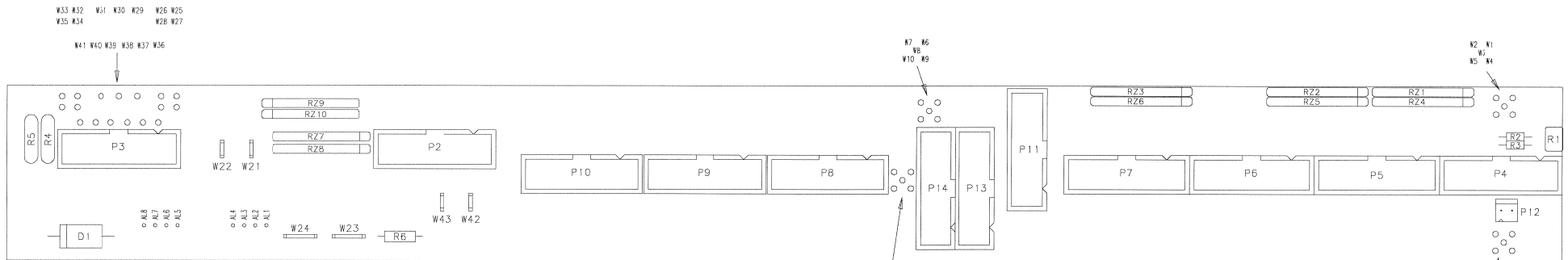
Back Plane 1U 1.940.553.00 (0)



Back Plane 1U 1.940.553.00 (0)



Component side



Solder side

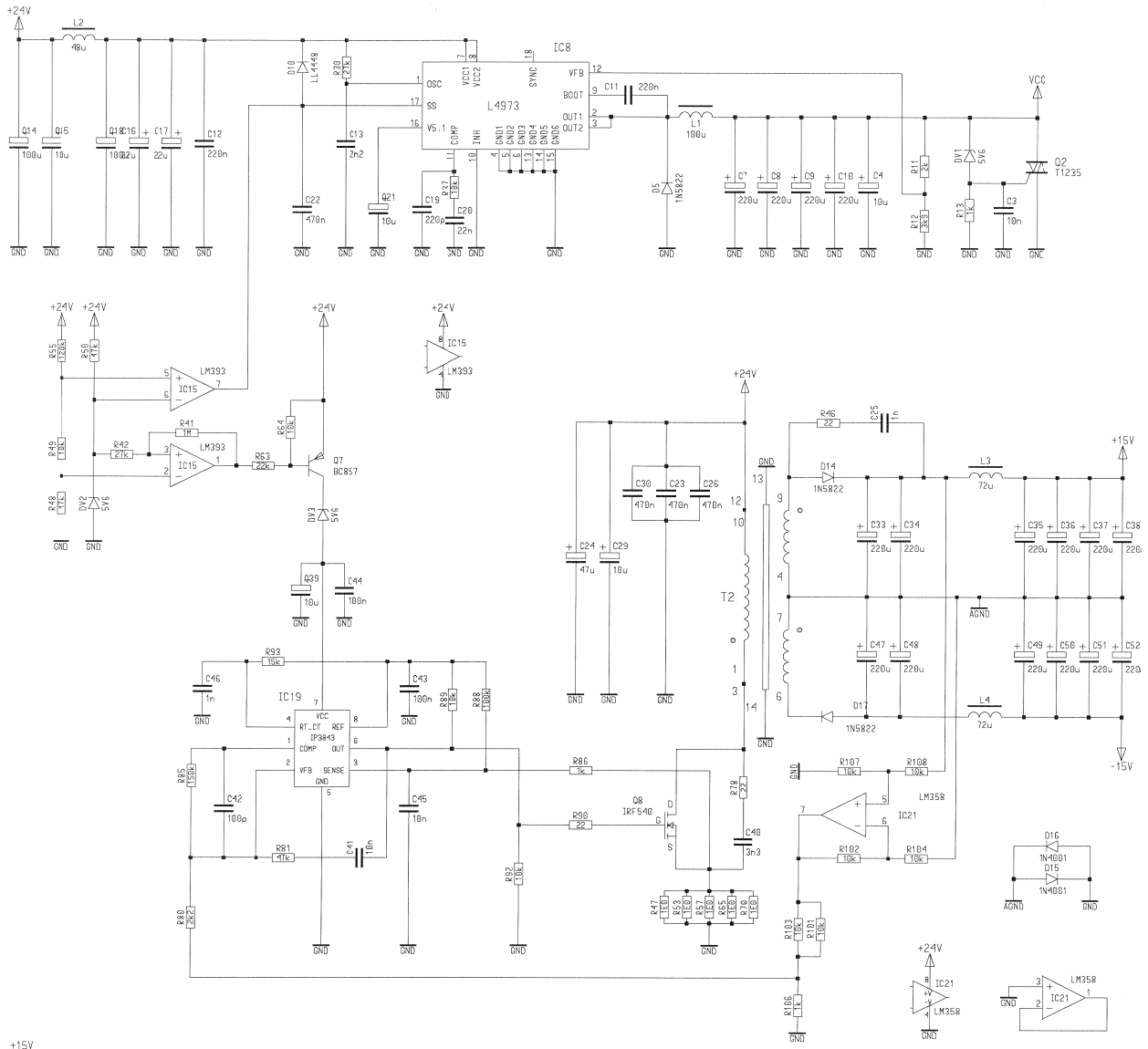
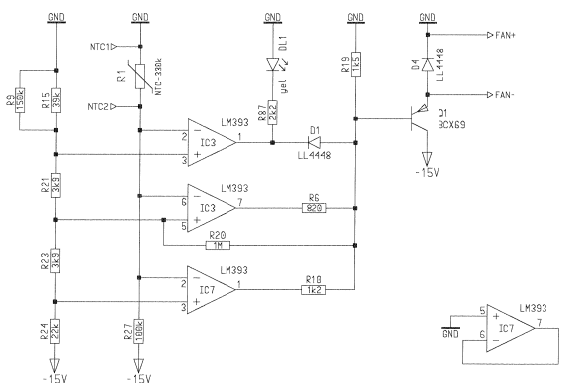
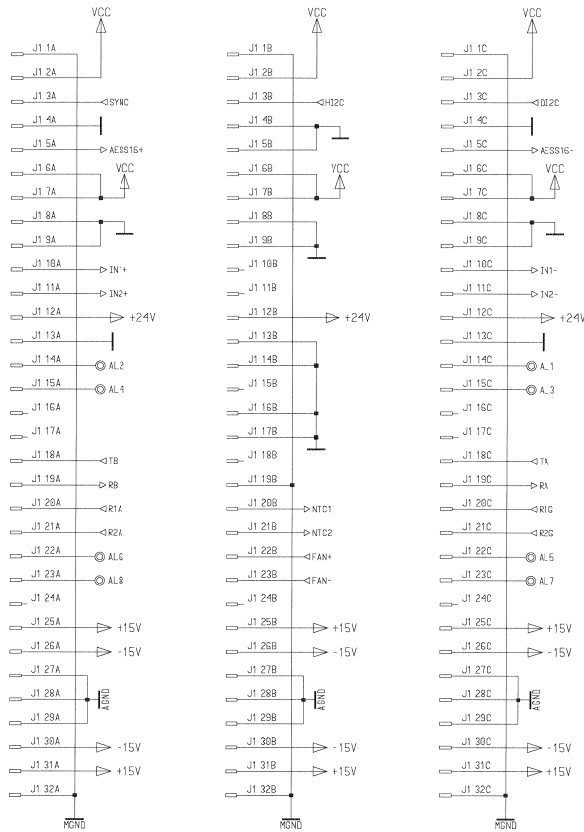
Accompanying documents: Zugehörige Unterlagen: PL	General tolerance: Freimasstoleranz:	Scale: Maßstab:	Edition Ausgabe Date Datum	03.04.2000	LC	ML	RL	Ⓢ	
Substitute for: Ersatz fuer:	Page: Seite:			1 / 1					
STUDER REGENSDORF	Description: Bezeichnung:	BACK PLANE 1HE			Number: Nummer:	1.940.553.00			

Back Plane 1U 1.940.553.00 (0)

Idx. Pos.	Part No.	Qty.	Type/Val.	Description
0 D 1	50.04.0519		1N5822	3A, Schöttky
0 J 1	1.940.550.01			MESSERLEISTE 96 pol DIN 41612
0 J 2	1.940.550.01			MESSERLEISTE 96 pol DIN 41612
0 J 3	1.940.550.01			MESSERLEISTE 96 pol DIN 41612
0 J 4	1.940.550.01			MESSERLEISTE 96 pol DIN 41612
0 J 5	1.940.550.01			MESSERLEISTE 96 pol DIN 41612
0 MP 1	1.940.553.11	mp		BACK PLANE 1HE PCB
0 MP 2	1.940.553.04	mp		NR. ETIKETTE 5 * 20
0 P 1		not used	34p	1/20" Au, gerade, ohne Verrieg
0 P 2	54.14.2002		16p	1/20" Au, gerade, ohne Verrieg
0 P 3	54.14.2002		16p	1/20" Au, gerade, ohne Verrieg
0 P 4	54.14.2002		16p	1/20" Au, gerade, ohne Verrieg
0 P 5	54.14.2002		16p	1/20" Au, gerade, ohne Verrieg
0 P 6	54.14.2002		16p	1/20" Au, gerade, ohne Verrieg
0 P 7	54.14.2002		16p	1/20" Au, gerade, ohne Verrieg
0 P 8	54.14.2002		16p	1/20" Au, gerade, ohne Verrieg
0 P 9	54.14.2002		16p	1/20" Au, gerade, ohne Verrieg
0 P 10	54.14.2002		16p	1/20" Au, gerade, ohne Verrieg
0 P 11	54.14.2002		16p	1/20" Au, gerade, ohne Verrieg
0 P 12	54.12.0702		2p	Stecker gerade PCB
0 P 13	54.14.2002		16p	1/20" Au, gerade, ohne Verrieg
0 P 14	54.14.2002		16p	1/20" Au, gerade, ohne Verrieg
0 R 1	57.99.0801		330k	NTC, 5%
0 R 2	57.10.1272		2k7	MF, 1%, 0204
0 R 3	57.10.1272		2k7	MF, 1%, 0204
0 R 4	57.92.7053		1.6A	PTC 30V
0 R 5	57.92.7053		1.6A	PTC 30V
0 R 6	57.11.3000		0R0	MF, 0207
0 RZ 1	57.88.4471		470R	8*R Resistor-Netw 2% SIP9
0 RZ 2	57.88.4471		470R	8*R Resistor-Netw 2% SIP9
0 RZ 3	57.88.4471		470R	8*R Resistor-Netw 2% SIP9
0 RZ 4	57.88.4681		680R	8*R Resistor-Netw 2% SIP9
0 RZ 5	57.88.4681		680R	8*R Resistor-Netw 2% SIP9
0 RZ 6	57.88.4681		680R	8*R Resistor-Netw 2% SIP9
0 RZ 7	not used		470R	8*R Resistor-Netw 2% SIP9
0 RZ 8	not used		470R	8*R Resistor-Netw 2% SIP9
0 RZ 9	not used		680R	8*R Resistor-Netw 2% SIP9
0 RZ 10	not used		680R	8*R Resistor-Netw 2% SIP9
0 W 21	54.02.0320		1p	PCB-Flachst 2.8*0.8, gerade
0 W 22	54.02.0320		1p	PCB-Flachst 2.8*0.8, gerade
0 W 23	54.02.0335		1p	PCB-Flachst 6.3*0.8, gerade
0 W 24	54.02.0335		1p	PCB-Flachst 6.3*0.8, gerade
0 W 42	54.02.0320		1p	PCB-Flachst 2.8*0.8, gerade
0 W 43	54.02.0320		1p	PCB-Flachst 2.8*0.8, gerade

End of List

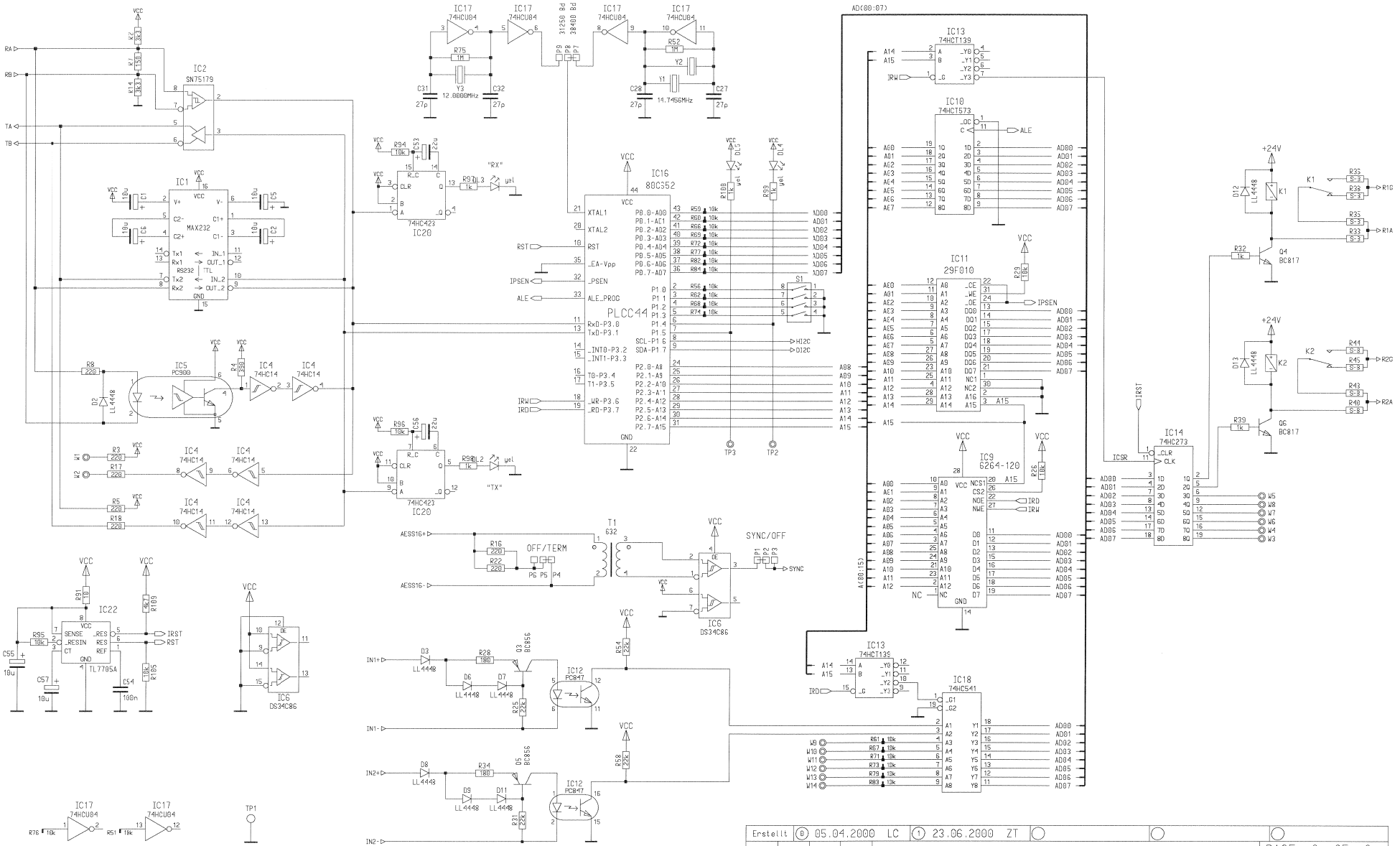
Supply Board 1.940.578.20 (1)



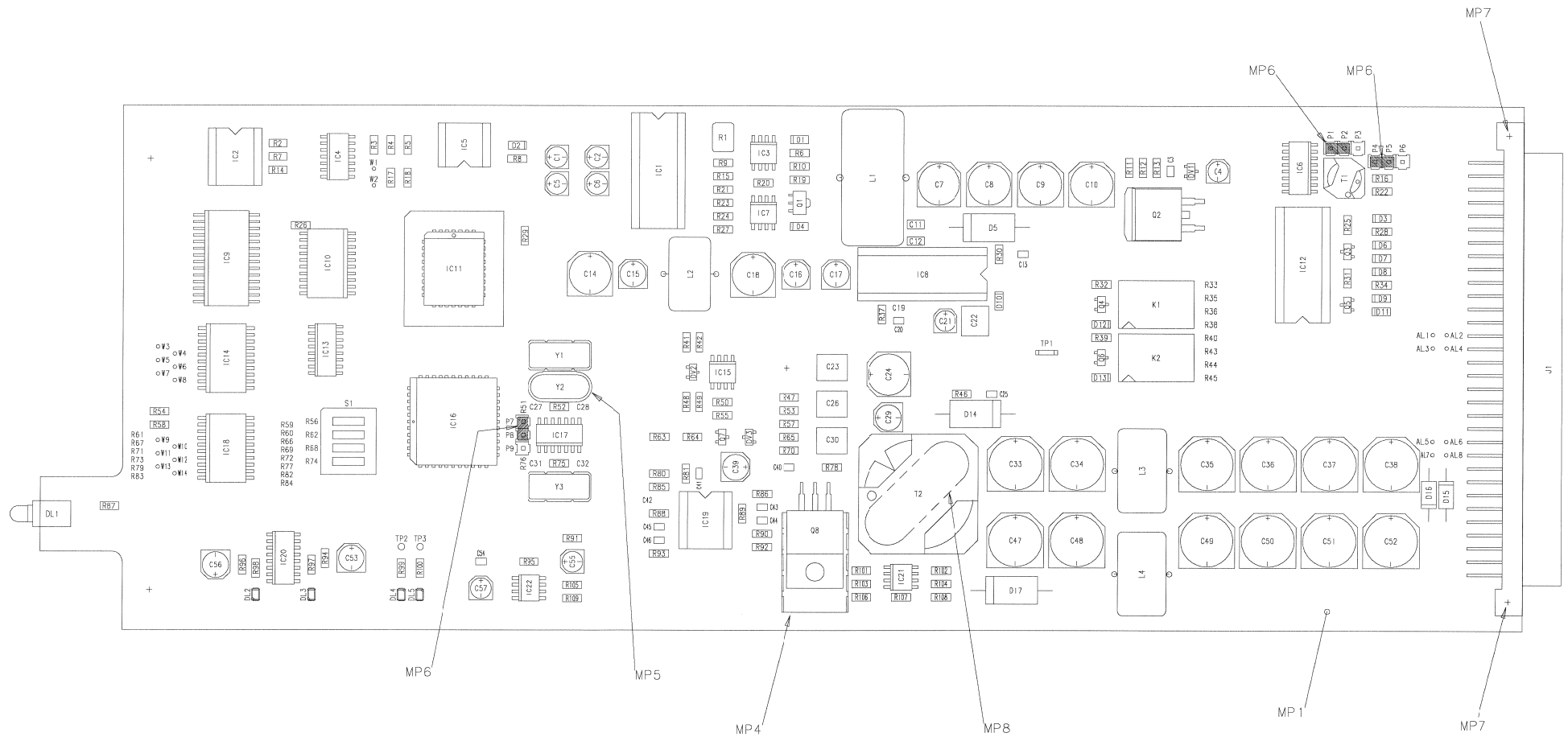
Date printed: 26.09.02

Erstellt	05.04.2000	LC	23.06.2000	ZT				
STUDER						SUPPLY BOARD		PAGE 1 OF 2
								1.940.578.20

Supply Board 1.940.578.20 (1)



Supply Board 1.940.578.20 (1)



Accompanying documents: Zugehörige Unterlagen: PL, BV640		General tolerance: Freimasstoleranz:	Scale: Masstab:	Edition: Ausgabe: 23.06.2000	LC	ML	RL	①
Substitute for: Ersatz fuer: 1.940.578.20 Index 0				Date: Datum	Visa Gez.	Checked Gepr.	Seen Ges.	Index
STUDER REGENSDORF				Designation: Benennung: SUPPLY BOARD, ESE			Page: Seite: 1 / 1	
				Number: Nummer: 1.940.578.20				

Supply Board 1.940.578.20 (1)

Idx. Pos.	Part No.	Qty.	Type/Val.	Description
0 C 1	not used	1 pce	10u	EL 16V, 4.0*5.7
0 C 2	not used	1 pce	10u	EL 16V, 4.0*5.7
0 C 3	59.60.3325	1 pce	10n	CER 50V, 10%, X7R, 0805
0 C 4	59.68.0065	1 pce	10u	EL 16V, 4.0*5.7
0 C 5	not used	1 pce	10u	EL 16V, 4.0*5.7
0 C 6	not used	1 pce	10u	EL 16V, 4.0*5.7
0 C 7	59.68.0073	1 pce	220u	EL 16V, 8.0*10.7
0 C 8	59.68.0073	1 pce	220u	EL 16V, 8.0*10.7
0 C 9	59.68.0073	1 pce	220u	EL 16V, 8.0*10.7
0 C 10	59.68.0073	1 pce	220u	EL 16V, 8.0*10.7
0 C 11	59.60.3441	1 pce	220n	CER 50V, 10%, X7R, 1206
0 C 12	59.60.3441	1 pce	220n	CER 50V, 10%, X7R, 1206
0 C 13	59.60.3317	1 pce	2n2	CER 50V, 10%, X7R, 0805
0 C 14	59.68.0115	1 pce	100u	EL 35V, 8.0*10.7
0 C 15	59.68.0109	1 pce	10u	EL 35V, 5.0*5.7
0 C 16	59.68.0067	1 pce	22u	EL 16V, 5.0*5.7
0 C 17	59.68.0067	1 pce	22u	EL 16V, 5.0*5.7
0 C 18	59.68.0115	1 pce	100u	EL 35V, 8.0*10.7
0 C 19	59.60.2257	1 pce	220p	CER 50V, 5%, COG, 0603
0 C 20	59.60.3329	1 pce	22n	CER 50V, 10%, X7R, 0805
0 C 21	59.68.0065	1 pce	10u	EL 16V, 4.0*5.7
0 C 22	59.60.3845	1 pce	470n	CER 50V, 10%, X7R, 2220
1 C 23	59.63.0133	1 pce	470n	PEN 50V, 5%, 2220
0 C 24	59.68.0113	1 pce	47u	EL 35V, 8.0*6.3
0 C 25	59.60.2373	1 pce	1n0	CER 50V, 5%, COG, 0805
1 C 26	59.63.0133	1 pce	470n	PEN 50V, 5%, 2220
0 C 27	59.60.2235	1 pce	27p	CER 50V, 5%, COG, 0603
0 C 28	59.60.2235	1 pce	27p	CER 50V, 5%, COG, 0603
0 C 29	59.68.0109	1 pce	10u	EL 35V, 5.0*5.7
1 C 30	59.63.0133	1 pce	470n	PEN 50V, 5%, 2220
0 C 31	59.60.2235	1 pce	27p	CER 50V, 5%, COG, 0603
0 C 32	59.60.2235	1 pce	27p	CER 50V, 5%, COG, 0603
0 C 33	59.68.0117	1 pce	220u	EL 35V, 10 *10.7
0 C 34	59.68.0117	1 pce	220u	EL 35V, 10 *10.7
0 C 35	59.68.0117	1 pce	220u	EL 35V, 10 *10.7
0 C 36	59.68.0117	1 pce	220u	EL 35V, 10 *10.7
0 C 37	59.68.0117	1 pce	220u	EL 35V, 10 *10.7
0 C 38	59.68.0117	1 pce	220u	EL 35V, 10 *10.7
0 C 39	59.68.0109	1 pce	10u	EL 35V, 5.0*5.7
0 C 40	59.60.3319	1 pce	3n3	CER 50V, 10%, X7R, 0805
0 C 41	not used	1 pce	10n	CER 50V, 10%, X7R, 0805
0 C 42	59.60.2249	1 pce	100p	CER 50V, 5%, COG, 0603
0 C 43	59.60.3337	1 pce	100n	CER 50V, 10%, X7R, 0805
0 C 44	59.60.3337	1 pce	100n	CER 50V, 10%, X7R, 0805
0 C 45	59.60.3325	1 pce	10n	CER 50V, 10%, X7R, 0805
0 C 46	59.60.2373	1 pce	1n0	CER 50V, 5%, COG, 0805
0 C 47	59.68.0117	1 pce	220u	EL 35V, 10 *10.7
0 C 48	59.68.0117	1 pce	220u	EL 35V, 10 *10.7
0 C 49	59.68.0117	1 pce	220u	EL 35V, 10 *10.7
0 C 50	59.68.0117	1 pce	220u	EL 35V, 10 *10.7
0 C 51	59.68.0117	1 pce	220u	EL 35V, 10 *10.7
0 C 52	59.68.0117	1 pce	220u	EL 35V, 10 *10.7
0 C 53	not used	1 pce	22u	EL 16V, 5.0*5.7
0 C 54	59.60.3337	1 pce	100n	CER 50V, 10%, X7R, 0805
0 C 55	59.68.0065	1 pce	10u	EL 16V, 4.0*5.7
0 C 56	not used	1 pce	22u	EL 16V, 5.0*5.7
0 C 57	59.68.0065	1 pce	10u	EL 16V, 4.0*5.7
0 D 1	50.60.8001	1 pce	4448	200mA 75V 4ns SOD 80
0 D 2	not used	1 pce	4448	200mA 75V 4ns SOD 80
0 D 3	50.60.8001	1 pce	4448	200mA 75V 4ns SOD 80
0 D 4	50.60.8001	1 pce	4448	200mA 75V 4ns SOD 80
0 D 5	50.04.0519	1 pce	1N5822	3A, Schottky
0 D 6	50.60.8001	1 pce	4448	200mA 75V 4ns SOD 80
0 D 7	50.60.8001	1 pce	4448	200mA 75V 4ns SOD 80
0 D 8	50.60.8001	1 pce	4448	200mA 75V 4ns SOD 80
0 D 9	50.60.8001	1 pce	4448	200mA 75V 4ns SOD 80
0 D 10	50.60.8001	1 pce	4448	200mA 75V 4ns SOD 80
0 D 11	50.60.8001	1 pce	4448	200mA 75V 4ns SOD 80
0 D 12	50.60.8001	1 pce	4448	200mA 75V 4ns SOD 80
0 D 13	50.60.8001	1 pce	4448	200mA 75V 4ns SOD 80
0 D 14	50.04.0519	1 pce	1N5822	3A, Schottky
0 D 15	50.04.0122	1 pce	1N4001	1A, DO 41
0 D 16	50.04.0122	1 pce	1N4001	1A, DO 41
0 D 17	50.04.0519	1 pce	1N5822	3A, Schottky
0 DL 1	50.04.2752	1 pce	yel	LED mit Halter
0 DL 2	not used	1 pce	yel	SMD LED yellow
0 DL 3	not used	1 pce	yel	SMD LED yellow
0 DL 4	not used	1 pce	yel	SMD LED yellow
0 DL 5	not used	1 pce	yel	SMD LED yellow
0 DV 1	50.60.9011	1 pce	5V6	5%, 0.2W, SOT 23
0 DV 2	50.60.9011	1 pce	5V6	5%, 0.2W, SOT 23
0 DV 3	50.60.9011	1 pce	5V6	5%, 0.2W, SOT 23
0 IC 1	not used	1 pce	MAX232	IC MAX 232 CPE
0 IC 2	50.15.0126	1 pce	75179B	IC SN 75179B P
0 IC 3	50.61.9001	1 pce	LM393	Dual voltage comp. SO 8
0 IC 4	not used	1 pce	74HC 14	Hex Schmitt trigger inverter
0 IC 5	not used	1 pce	PC900V	DLQ PC 900 V

Idx. Pos.	Part No.	Qty.	Type/Val.	Description
0 IC 6	50.62.0463	1 pce	DS34C86	4*RS 422 Line Receiver
0 IC 7	50.61.9001	1 pce	LM393	Dual voltage comp. SO 8
0 IC 8	50.10.0127	1 pce	4973V3.3	Switching Reg 3.3V 3.5A
0 IC 9	50.63.1502	1 pce	6264	SRAM 8K*8, 120ns
0 IC 10	50.62.3573	1 pce	74HCT573	Octal D-type latch
0 IC 11	1.940.982.21	1 pce		SW 576 Control (50.63.1303)
0 IC 12	50.04.2138	1 pce	PC847	DLQ PC-847 , EE-CM 4
0 IC 13	50.62.3139	1 pce	74HCT139	Dual 2 to 4 line decoder
0 IC 14	50.62.1273	1 pce	74HC273	Octal D-FF with reset
0 IC 15	50.61.9001	1 pce	LM393	Dual voltage comp. SO 8
0 IC 16	50.63.0009	1 pce	80C652	MPU 8bit
0 IC 17	50.62.1904	1 pce	74HCU04	Hex inverter unbuffered
0 IC 18	50.62.1541	1 pce	74HC541	Octal buffer line driver/recei
0 IC 19	50.10.0113	1 pce	3843	IC IP 3843 N
0 IC 20	not used	1 pce	74HC423	Dual multivibr monost retrigg
0 IC 21	50.61.0202	1 pce	LM358	Op-Amp single supply
0 IC 22	50.63.2001	1 pce	7705B	Reset Generator
0 J 1	54.11.2009	1 pce	96p	EU-R 3*32p
0 K 1	not used	1 pce	2*u	24V 125V 2A Ag/Au
0 K 2	not used	1 pce	2*u	24V 125V 2A Ag/Au
0 L 1	62.03.0040	1 pce	100uH	5A Toroid Choche
0 L 2	62.03.0010	1 pce	48uH	2A Toroid Choche
0 L 3	62.03.0015	1 pce	72uH	2A Toroid Choche
0 L 4	62.03.0015	1 pce	72uH	2A Toroid Choche
0 MP 1	1.940.578.11	1 pce		Supply Board PCB
0 MP 2	1.940.578.04	1 pce		NR. ETIKETTE 5 * 20
0 MP 3	43.01.0108	1 pce	Label	ESE-WARNschild
0 MP 4	50.20.3004	1 pce		Kühlkörper, TO 220, horizontal
0 MP 5	not used	1 pce		QUARZ - ISOLIERPLATTE
0 MP 6	54.01.0021	3 pcs	Jumper	0.63*0.63mm, Au
0 MP 7	28.99.0119	2 pcs		ROHRNIETE D 2.5*0.15* 9
1 MP 8	1.010.005.61	1 pce		UNTERLAGE ZU RM 10
0 P 1	54.01.0020	1 pce	1p	Pin, 1reihig, gerade
0 P 2	54.01.0020	1 pce	1p	Pin, 1reihig, gerade
0 P 3	54.01.0020	1 pce	1p	Pin, 1reihig, gerade
0 P 4	54.01.0020	1 pce	1p	Pin, 1reihig, gerade
0 P 5	54.01.0020	1 pce	1p	Pin, 1reihig, gerade
0 P 6	54.01.0020	1 pce	1p	Pin, 1reihig, gerade
0 P 7	54.01.0020	1 pce	1p	Pin, 1reihig, gerade
0 P 8	54.01.0020	1 pce	1p	Pin, 1reihig, gerade
0 P 9	54.01.0020	1 pce	1p	Pin, 1reihig, gerade
0 Q 1	50.60.1100	1 pce	BCX69-25	PNP 45V 1.0A SOT 89
0 Q 2	50.60.7001	1 pce	BT138B	Triac 8A, 600V, SOT 404
0 Q 3	50.60.1003	1 pce	BC856B	PNP 65V 100mA SOT 23
0 Q 4	50.60.0050	1 pce	BC817-25	NPN 45V 800mA SOT 23
0 Q 5	50.60.1003	1 pce	BC856B	PNP 65V 100mA SOT 23
0 Q 6	50.60.0050	1 pce	BC817-25	NPN 45V 800mA SOT 23
0 Q 7	50.60.1001	1 pce	BC857B	PNP 45V 100mA SOT 23
0 Q 8	50.03.1509	1 pce	IRFS40	N-VMOS-FET 100V, 27A
0 R 1	not used	1 pce	330k	NTC, 5%
0 R 2	57.60.1332	1 pce	3k3	MF, 1%, 0204, E24
0 R 3	not used	1 pce	220R	MF, 1%, 0204, E24
0 R 4	not used	1 pce	390R	MF, 1%, 0204, E24
0 R 5	not used	1 pce	220R	MF, 1%, 0204, E24
0 R 6	57.60.1821	1 pce	820R	MF, 1%, 0204, E24
0 R 7	57.60.1151	1 pce	150R	MF, 1%, 0204, E24
0 R 8	not used	1 pce	220R	MF, 1%, 0204, E24
0 R 9	57.60.1154	1 pce	150k	MF, 1%, 0204, E24
0 R 10	57.60.1122	1 pce	1k2	MF, 1%, 0204, E24
0 R 11	57.60.1202	1 pce	2k0	MF, 1%, 0204, E24
0 R 12	57.60.1392	1 pce	3k9	MF, 1%, 0204, E24
0 R 13	57.60.1102	1 pce	1k0	MF, 1%, 0204, E24
0 R 14	57.60.1332	1 pce	3k3	MF, 1%, 0204, E24
0 R 15	57.60.1393	1 pce	39k	MF, 1%, 0204, E24
0 R 16	57.60.1221	1 pce	220R	MF, 1%, 0204, E24
0 R 17	not used	1 pce	220R	MF, 1%, 0204, E24
0 R 18	not used	1 pce	220R	MF, 1%, 0204, E24
0 R 19	57.60.1152	1 pce	1k5	MF, 1%, 0204, E24
0 R 20	57.60.1105	1 pce	1M	MF, 1%, 0204, E24
0 R 21	57.60.1392	1 pce	3k9	MF, 1%, 0204, E24
0 R 22	57.60.1221	1 pce	220R	MF, 1%, 0204, E24
0 R 23	57.60.1392	1 pce	3k9	MF, 1%, 0204, E24
0 R 24	57.60.1223	1 pce	22k	MF, 1%, 0204, E24
0 R 25	57.60.1223	1 pce	22k	MF, 1%, 0204, E24
0 R 26	57.60.1103	1 pce	10k	MF, 1%, 0204, E24
0 R 27	57.60.1104	1 pce	100k	MF, 1%, 0204, E24
0 R 28	57.60.1181	1 pce	180R	MF, 1%, 0204, E24
0 R 29	57.60.1103	1 pce	10k	MF, 1%, 0204, E24
0 R 30	57.60.1273	1 pce	27k	MF, 1%, 0204, E24
0 R 31	57.60.1223	1 pce	22k	MF, 1%, 0204, E24
0 R 32	57.60.1102	1 pce	1k0	MF, 1%, 0204, E24
0 R 33	57.60.1000	1 pce	0R0	MF, 0204
0 R 34	57.60.1181	1 pce	180R	MF, 1%, 0204, E24
0 R 37	57.60.1103	1 pce	10k	MF, 1%, 0204, E24
0 R 39	57.60.1102	1 pce	1k0	MF, 1%, 0204, E24
0 R 40	57.60.1000	1 pce	0R0	MF, 0204
0 R 41	57.60.1105	1 pce	1M	MF, 1%, 0204, E24

Supply Board 1.940.578.20 (1)

Page: 2 of 2

Idx. Pos.	Part No.	Qty.	Type/Val.	Description
0 R 42	57.60.1273	1 pce	27k	MF, 1%, 0204, E24
0 R 46	57.60.1220	1 pce	22R	MF, 1%, 0204, E24
0 R 47	57.60.1109	1 pce	1R	MF, 1%, 0204, E24
0 R 48	57.60.1473	1 pce	47k	MF, 1%, 0204, E24
0 R 49	57.60.1103	1 pce	10k	MF, 1%, 0204, E24
0 R 50	57.60.1473	1 pce	47k	MF, 1%, 0204, E24
0 R 51	57.69.1097	1 pce	10k	CF 5% 0603
0 R 52	57.60.1105	1 pce	1M	MF, 1%, 0204, E24
0 R 53	57.60.1109	1 pce	1R	MF, 1%, 0204, E24
0 R 54	57.60.1223	1 pce	22k	MF, 1%, 0204, E24
0 R 55	57.60.1124	1 pce	120k	MF, 1%, 0204, E24
0 R 56	57.69.1097	1 pce	10k	CF 5% 0603
0 R 57	57.60.1109	1 pce	1R	MF, 1%, 0204, E24
0 R 58	57.60.1223	1 pce	22k	MF, 1%, 0204, E24
0 R 59	57.69.1097	1 pce	10k	CF 5% 0603
0 R 60	57.69.1097	1 pce	10k	CF 5% 0603
0 R 61	57.69.1097	1 pce	10k	CF 5% 0603
0 R 62	57.69.1097	1 pce	10k	CF 5% 0603
0 R 63	57.60.1223	1 pce	22k	MF, 1%, 0204, E24
0 R 64	57.60.1103	1 pce	10k	MF, 1%, 0204, E24
0 R 65	57.60.1109	1 pce	1R	MF, 1%, 0204, E24
0 R 66	57.69.1097	1 pce	10k	CF 5% 0603
0 R 67	57.69.1097	1 pce	10k	CF 5% 0603
0 R 68	57.69.1097	1 pce	10k	CF 5% 0603
0 R 69	57.69.1097	1 pce	10k	CF 5% 0603
0 R 70	57.60.1109	1 pce	1R	MF, 1%, 0204, E24
0 R 71	57.69.1097	1 pce	10k	CF 5% 0603
0 R 72	57.69.1097	1 pce	10k	CF 5% 0603
0 R 73	57.69.1097	1 pce	10k	CF 5% 0603
0 R 74	57.69.1097	1 pce	10k	CF 5% 0603
0 R 75	57.60.1105	1 pce	1M	MF, 1%, 0204, E24
0 R 76	57.69.1097	1 pce	10k	CF 5% 0603
0 R 77	57.69.1097	1 pce	10k	CF 5% 0603
0 R 78	57.60.1220	1 pce	22R	MF, 1%, 0204, E24
0 R 79	57.69.1097	1 pce	10k	CF 5% 0603
0 R 80	57.60.1222	1 pce	2k2	MF, 1%, 0204, E24
0 R 81	not used	1 pce	47k	MF, 1%, 0204, E24
0 R 82	57.69.1097	1 pce	10k	CF 5% 0603
0 R 83	57.69.1097	1 pce	10k	CF 5% 0603
0 R 84	57.69.1097	1 pce	10k	CF 5% 0603
0 R 85	57.60.1154	1 pce	150k	MF, 1%, 0204, E24
0 R 86	57.60.1102	1 pce	1k0	MF, 1%, 0204, E24
0 R 87	57.60.1222	1 pce	2k2	MF, 1%, 0204, E24
0 R 88	57.60.1104	1 pce	100k	MF, 1%, 0204, E24
0 R 89	57.60.1103	1 pce	10k	MF, 1%, 0204, E24
0 R 90	57.60.1220	1 pce	22R	MF, 1%, 0204, E24
0 R 91	57.60.1100	1 pce	10R	MF, 1%, 0204, E24
0 R 92	57.60.1103	1 pce	10k	MF, 1%, 0204, E24
0 R 93	57.60.1153	1 pce	15k	MF, 1%, 0204, E24
0 R 94	not used	1 pce	10k	MF, 1%, 0204, E24
0 R 95	57.60.1103	1 pce	10k	MF, 1%, 0204, E24
0 R 96	not used	1 pce	10k	MF, 1%, 0204, E24
0 R 97	not used	1 pce	1k0	MF, 1%, 0204, E24
0 R 98	not used	1 pce	1k0	MF, 1%, 0204, E24
0 R 99	not used	1 pce	1k0	MF, 1%, 0204, E24
0 R 100	not used	1 pce	1k0	MF, 1%, 0204, E24
0 R 101	57.60.1103	1 pce	10k	MF, 1%, 0204, E24
0 R 102	57.60.1103	1 pce	10k	MF, 1%, 0204, E24
0 R 103	57.60.1103	1 pce	10k	MF, 1%, 0204, E24
0 R 104	57.60.1103	1 pce	10k	MF, 1%, 0204, E24
0 R 105	57.60.1103	1 pce	10k	MF, 1%, 0204, E24
0 R 106	57.60.1102	1 pce	1k0	MF, 1%, 0204, E24
0 R 107	57.60.1103	1 pce	10k	MF, 1%, 0204, E24
0 R 108	57.60.1103	1 pce	10k	MF, 1%, 0204, E24
0 R 109	57.60.1472	1 pce	4k7	MF, 1%, 0204, E24
0 S 1	55.01.0184	1 pce	4*a	DIL-Switch, PCB
0 T 1	1.022.632.00	1 pce	1:1	DI/DO TRANSFORMER
0 T 2	1.022.654.00	1 pce		TRAFO +/-14V
0 TP 1	not used	1 pce	2.8*0.8	PCB-Flachstecker, gerade
0 XIC 11	53.03.2232	1 pce	32p	PLCC-Socket
0 Y 1	89.60.1007	1 pce	14.7456MHz	SMD Quartz
0 Y 2	not used	1 pce	12.000MHz	XTAL HC 49/U
0 Y 3	89.60.1003	1 pce	12.000MHz	SMD Quartz

End of List

(01) C23,C26,C30: 1.0uF -> 0.47uF
MP8 added

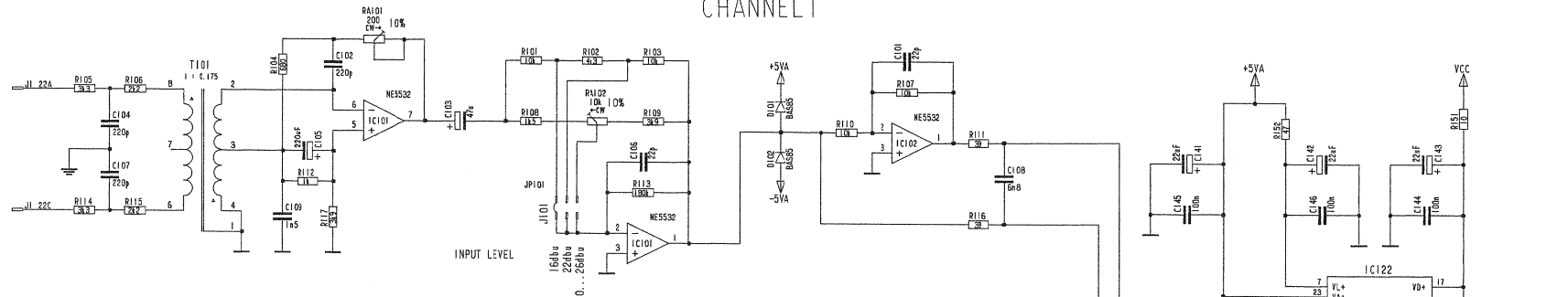
CIRCUIT DIAGRAMS: D19m INPUT INTERFACE CARDS

C4AD Board	1.940.560
C4AD NS Board	1.940.561
C4AD/24 Board	1.940.562
C4AD NS/24 Board	1.940.563
MP4RC Board.....	1.940.575
RCC Board.....	1.940.576
AESI Board.....	1.940.580
Block Diagram AESI SFC Board	1.940.540
AESI SFC Board.....	1.940.540
Block Diagram MADI	1.940.500/1.940.510
MADI Coaxial	1.940.500
MADI Optical	1.940.510
MADI Optical	1.940.511
MADI Optical with redundant MADI IN	1.940.512
TDIFI Interface	1.940.480
TDIFI Interface with AES Out.....	1.950.481
ADATI Interface	1.940.490
ADATI Interface with AES Out	1.940.491

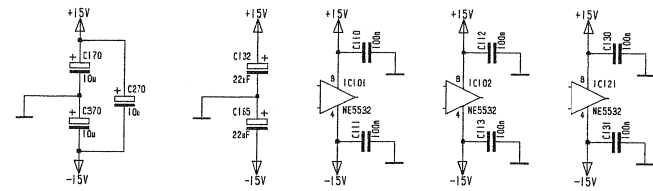
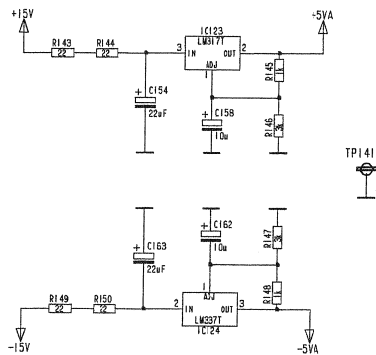
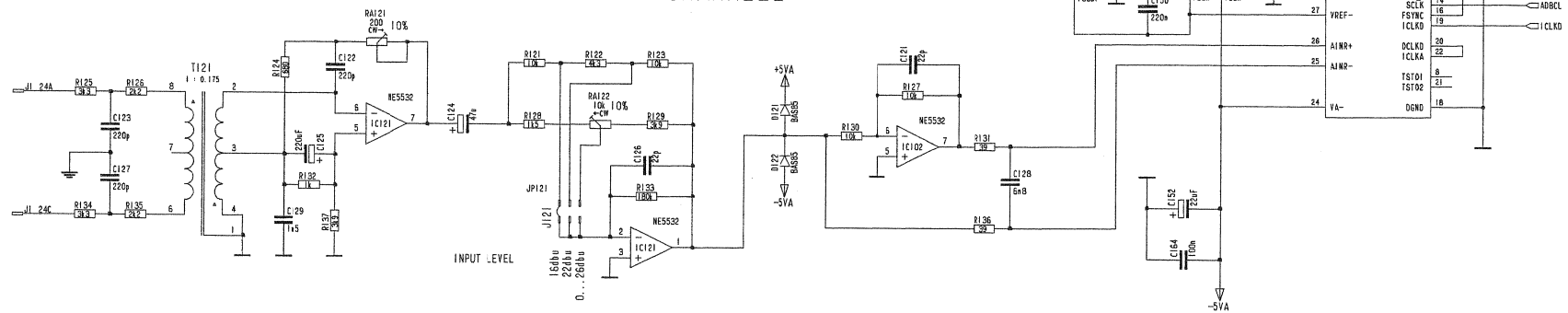
DI9M C4 AD Board 1.940.560.21



CHANNEL 1

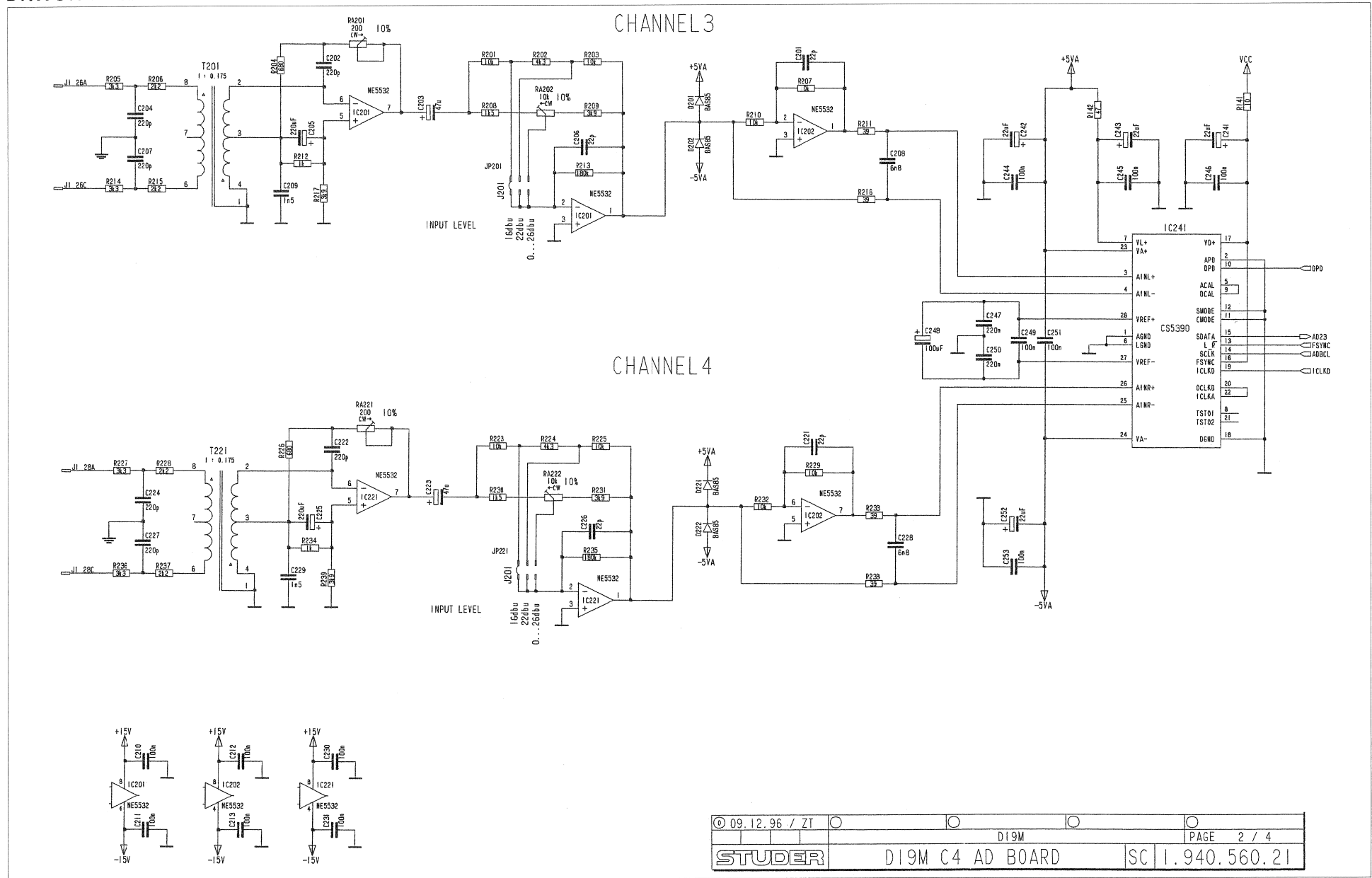


CHANNEL 2



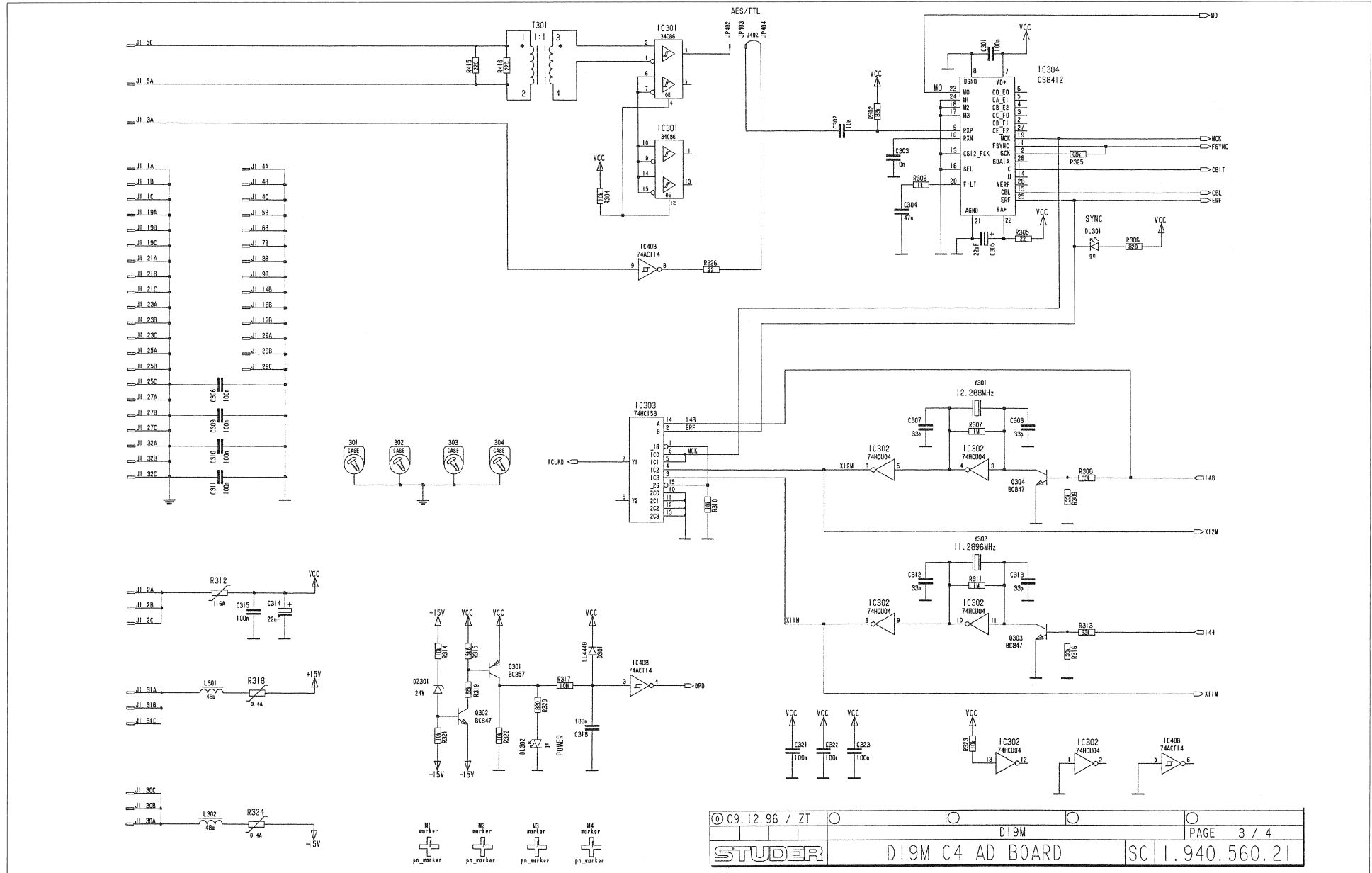


D19M C4 AD Board 1.940.560.21



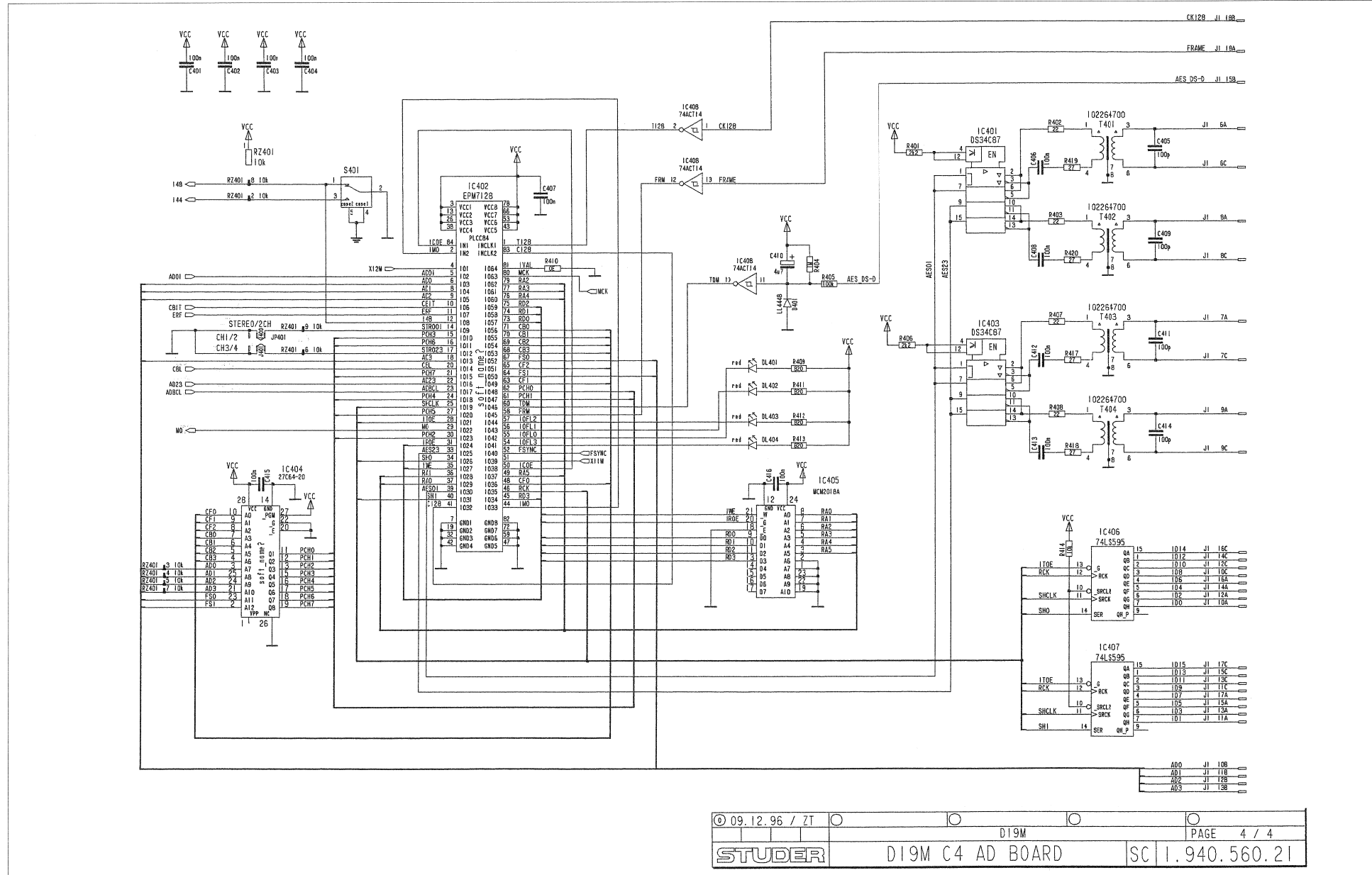


D19M C4 AD Board 1.940.560.21



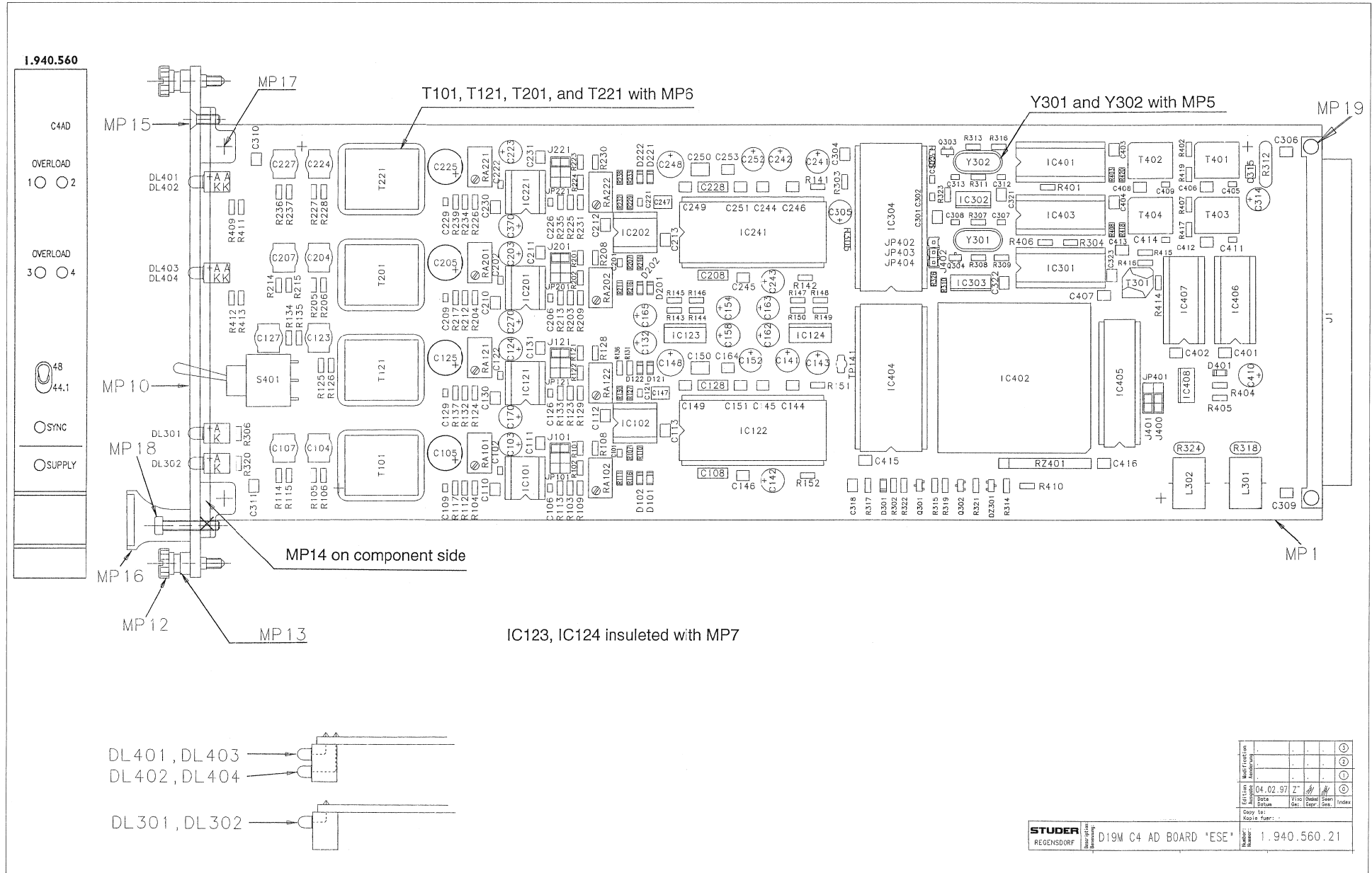


D19M C4 AD Board 1.940.560.21





D19M C4 AD Board 1.940.560.21





D19M C4 AD Board 1.940.560.21

Idx.	Pos.	Part No.	Qty.	Type/Val.	Description	Idx.	Pos.	Part No.	Qty.	Type/Val.	Description	Idx.	Pos.	Part No.	Qty.	Type/Val.	Description	Idx.	Pos.	Part No.	Qty.	Type/Val.	Description
0	C 101	59.60.0220	22p	CER 63V, 5%, COG, 0805		0	C 308	59.60.0330	33p	CER 63V, 5%, COG, 0805		0	JP 404	54.01.0020	1p		Pin 0.63*0.63	0	R 216	57.80.1390	39R	MF, 1%, 0204, E24	
0	C 102	59.60.0221	22p	CER 63V, 5%, COG, 0805		0	C 309	59.60.1104	100n	CER 63V, 10%, X7R, 1210		0	R 217	57.80.1392	3K0			0	R 217	57.80.1392	3K0	MF, 1%, 0204, E24	
0	C 103	59.22.3470	47u	EL 10V, 20%, RM5		0	C 310	59.60.1104	100n	CER 63V, 10%, X7R, 1210		0	L 301	62.03.0010	48uH			0	R 223	57.80.1103	10K	MF, 1%, 0204, E24	
0	C 104	59.05.1221	22p	PP, 1%, 630V		0	C 311	59.60.1104	100n	CER 63V, 10%, X7R, 1210		0	L 302	62.03.0010	48uH			0	R 224	57.80.1432	4K3	MF, 1%, 0204, E24	
0	C 105	59.22.3221	22u	EL 10V, 20%, RM5		0	C 312	59.60.0330	33p	CER 63V, 5%, COG, 0805		0	R 225	57.80.1103	10K			0	R 225	57.80.1103	10K	MF, 1%, 0204, E24	
0	C 106	59.60.0220	22p	CER 63V, 5%, COG, 0805		0	C 313	59.60.0330	33p	CER 63V, 5%, COG, 0805		0	MP 1	1.94c.560.11				0	R 226	57.80.1681	680R	MF, 1%, 0204, E24	
0	C 107	59.05.1221	22p	PP, 1%, 630V		0	C 314	59.22.5220	22u	EL 25V, 20%, RM5		0	MP 2	1.94c.560.04				0	R 227	57.80.1332	3K3	MF, 1%, 0204, E24	
0	C 108	59.08.0882	6n8	PETP, 63V, 10%, RM5		0	C 315	59.60.1104	100n	CER 63V, 10%, X7R, 1210		0	MP 3	42.91.0108				0	R 228	57.80.1222	2K2	MF, 1%, 0204, E24	
0	C 109	59.60.1162	1n5	CER 63V, 10%, X7R, 0805		0	C 316	59.60.1104	100n	CER 63V, 10%, X7R, 1210		0	MP 4	1.101.001.20				0	R 229	57.80.1103	10K	MF, 1%, 0204, E24	
0	C 110	59.60.1104	100n	CER 63V, 10%, X7R, 1210		0	C 321	59.60.1104	100n	CER 63V, 10%, X7R, 1210		0	MP 5	89.01.1499	2 pcs			0	R 230	57.80.1162	1K5	MF, 1%, 0204, E24	
0	C 111	59.60.1104	100n	CER 63V, 10%, X7R, 1210		0	C 322	59.60.1104	100n	CER 63V, 10%, X7R, 1210		0	MP 6	1.022.400.03	4 pcs			0	R 231	57.80.1392	3K3	MF, 1%, 0204, E24	
0	C 112	59.60.1104	100n	CER 63V, 10%, X7R, 1210		0	C 323	59.60.1104	100n	CER 63V, 10%, X7R, 1210		0	MP 7	1.010.127.65	2 pcs			0	R 232	57.80.1103	10K	MF, 1%, 0204, E24	
0	C 113	59.60.1104	100n	CER 63V, 10%, X7R, 1210		0	C 370	59.22.6100	10u	EL 35V, 20%, RM5		0	MP 10	1.940.560.01	1 pos			0	R 233	57.80.1390	39R	MF, 1%, 0204, E24	
0	C 121	59.60.0220	22p	CER 63V, 5%, COG, 0805		0	C 401	59.60.1104	100n	CER 63V, 10%, X7R, 1210		0	MP 11	1.940.600.01	1 pos			0	R 234	57.80.1102	1K	MF, 1%, 0204, E24	
0	C 122	59.60.0221	22p	CER 63V, 5%, COG, 0805		0	C 402	59.60.1104	100n	CER 63V, 10%, X7R, 1210		0	MP 12	49.02.0520	2 pcs	M2.5*12		0	R 235	57.80.1184	180K	MF, 1%, 0204, E24	
0	C 123	59.05.1221	22p	PP, 1%, 630V		0	C 403	59.60.1104	100n	CER 63V, 10%, X7R, 1210		0	MP 13	49.02.0521	2 pcs			0	R 236	57.80.1332	3K3	MF, 1%, 0204, E24	
0	C 124	59.22.3470	47u	EL 10V, 20%, RM5		0	C 404	59.60.1104	100n	CER 63V, 10%, X7R, 1210		0	MP 14	49.02.0522	2 pcs			0	R 237	57.80.1222	2K2	MF, 1%, 0204, E24	
0	C 125	59.22.3221	22u	EL 10V, 20%, RM5		0	C 405	59.60.0101	100p	CER 63V, 5%, COG, 0805		0	MP 15	49.02.0523	1 pos	M2.5*7		0	R 238	57.80.1390	39R	MF, 1%, 0204, E24	
0	C 126	59.60.0220	22p	CER 63V, 5%, COG, 0805		0	C 406	59.60.1104	100n	CER 63V, 10%, X7R, 1210		0	MP 16	49.02.0524	1 pos	4TE		0	R 239	57.80.1392	3K9	MF, 1%, 0204, E24	
0	C 127	59.05.1221	22p	PP, 1%, 630V		0	C 407	59.60.1104	100n	CER 63V, 10%, X7R, 1210		0	MP 17	21.53.0279	2 pcs			0	R 302	57.80.1623	82K	MF, 1%, 0204, E24	
0	C 128	59.08.0882	6n8	PETP, 63V, 10%, RM5		0	C 408	59.60.1104	100n	CER 63V, 10%, X7R, 1210		0	MP 18	21.53.0284	1 pos			0	R 303	57.80.1102	1K	MF, 1%, 0204, E24	
0	C 129	59.60.1162	1n5	CER 63V, 10%, X7R, 0805		0	C 409	59.60.0101	100p	CER 63V, 5%, COG, 0805		0	MP 19	28.09.0119	2 pcs			0	R 304	57.80.1103	10K	MF, 1%, 0204, E24	
0	C 130	59.60.1104	100n	CER 63V, 10%, X7R, 1210		0	C 410	59.22.8479	4.7	EL 50V, 20%, RM5		0	Q 301	59.60.1001	BC857B	Q BC 857 B, SOT 23	0	R 305	57.80.1220	22R	MF, 1%, 0204, E24		
0	C 131	59.60.1104	100n	CER 63V, 10%, X7R, 1210		0	C 411	59.60.0101	100p	CER 63V, 5%, COG, 0805		0	Q 302	59.60.0001	BC847B	Q BC 847 B, SOT 23	0	R 306	57.80.1821	820R	MF, 1%, 0204, E24		
0	C 132	59.22.5220	22u	EL 25V, 20%, RM5		0	C 412	59.60.1104	100n	CER 63V, 10%, X7R, 1210		0	Q 303	59.60.0001	BC847B	Q BC 847 B, SOT 23	0	R 307	57.80.1106	1M	MF, 1%, 0204, E24		
0	C 141	59.22.5220	22u	EL 25V, 20%, RM5		0	C 413	59.60.1104	100n	CER 63V, 10%, X7R, 1210		0	Q 304	59.60.0001	BC847B	Q BC 847 B, SOT 23	0	R 308	57.80.1333	33K	MF, 1%, 0204, E24		
0	C 142	59.22.5220	22u	EL 25V, 20%, RM5		0	C 414	59.60.0101	100p	CER 63V, 5%, COG, 0805		0	C 304	59.60.0001	BC847B	Q BC 847 B, SOT 23	0	R 309	57.80.1333	33K	MF, 1%, 0204, E24		
0	C 143	59.22.5220	22u	EL 25V, 20%, RM5		0	C 415	59.60.1104	100n	CER 63V, 10%, X7R, 1210		0	R 101	57.80.1103	10K			0	R 310	57.80.1103	10K	MF, 1%, 0204, E24	
0	C 144	59.60.1104	100n	CER 63V, 10%, X7R, 1210		0	C 416	59.60.1104	100n	CER 63V, 10%, X7R, 1210		0	R 102	57.80.1432	4K3			0	R 311	57.80.1105	1M	MF, 1%, 0204, E24	
0	C 145	59.60.1104	100n	CER 63V, 10%, X7R, 1210		0	D 101	59.60.8101	BS885	D BAS 85 SOD 80		0	R 103	57.80.1103	10K			0	R 312	57.82.7053	1.6A	POLY-PTC, 30V	
0	C 146	59.60.1104	100n	CER 63V, 10%, X7R, 1210		0	D 102	59.60.8101	BS885	D BAS 85 SOD 80		0	R 104	57.80.1681	680R			0	R 313	57.80.1333	33K	MF, 1%, 0204, E24	
0	C 147	59.60.1224	220n	CER 63V, 10%, X7R, 1612		0	D 103	59.60.8101	BS885	D BAS 85 SOD 80		0	R 105	57.80.1332	3K3			0	R 314	57.80.1103	10K	MF, 1%, 0204, E24	
0	C 148	59.22.3107	100u	EL 10V, 20%, RM5		0	D 104	59.60.8101	BS885	D BAS 85 SOD 80		0	R 106	57.80.1222	2K2			0	R 315	57.80.1682	68K	MF, 1%, 0204, E24	
0	C 149	59.60.1104	100n	CER 63V, 10%, X7R, 1210		0	D 105	59.60.8101	BS885	D BAS 85 SOD 80		0	R 107	57.80.1103	10K			0	R 316	57.80.1333	33K	MF, 1%, 0204, E24	
0	C 150	59.60.1224	220n	CER 63V, 10%, X7R, 1612		0	D 201	59.60.8101	BS885	D BAS 85 SOD 80		0	R 108	57.80.1162	1K5			0	R 317	57.80.1106	10M	MF, 2%, 0204, E24	
0	C 151	59.60.1104	100n	CER 63V, 10%, X7R, 1210		0	D 202	59.60.8101	BS885	D BAS 85 SOD 80		0	R 109	57.80.1392	3K9			0	R 318	57.82.7019	0.4A	POLY-PTC, 60V	
0	C 152	59.22.5220	22u	EL 25V, 20%, RM5		0	D 221	59.60.8101	BS885	D BAS 85 SOD 80		0	R 110	57.80.1103	10K			0	R 319	57.80.1683	68K	MF, 1%, 0204, E24	
0	C 154	59.22.5220	22u	EL 25V, 20%, RM5		0	D 222	59.60.8101	BS885	D BAS 85 SOD 80		0	R 111	57.80.1390	39R			0	R 320	57.80.1621	820R	MF, 1%, 0204, E24	
0	C 158	59.22.5108	10u	EL 35V, 20%, RM5		0	D 301	59.60.9001	44H8	D LL 4448 SOD 80		0	R 112	57.80.1102	1K			0	R 321	57.80.1103	10K	MF, 1%, 0204, E24	
0	C 162	59.22.6100	10u	EL 35V, 20%, RM5		0	D 401	59.60.9001	4448	D LL 4448 SOD 80		0	R 113	57.80.1164	180K			0	R 322	57.80.1103	10K	MF, 1%, 0204, E24	
0	C 163	59.22.5220	22u	EL 25V, 20%, RM5		0	DL 301	59.60.4202	HLMP1790	DL HLMP-1790 GN		0	R 114	57.80.1332	3K3			0	R 323	57.80.1103	10K	MF, 1%, 0204, E24	
0	C 164	59.60.1104	100n	CER 63V, 10%, X7R, 1210		0	DL 302	59.60.4202	HLMP1790	DL HLMP-1790 GN		0	R 115	57.80.1222	2K2			0	R 324	57.82.7019	0.4A	POLY-PTC, 60V	
0	C 166	59.22.5220	22u	EL 25V, 20%, RM5		0	DL 401	59.60.4202	HLMP1790	DL HLMP-1790 RT		0	R 116	57.80.1390	39R			0	R 325	57.80.1683	68K	MF, 1%, 0204, E24	
0	C 170	59.22.6100	10u	EL 35V, 20%, RM5		0	DL 402	59.60.4202	HLMP1790	DL HLMP-1790 RT		0	R 117	57.80.1392	3K9			0	R 326	57.80.1220	22R	MF, 1%, 0204, E24	
0	C 201	59.60.0220	22p	CER 63V, 5%, COG, 0805		0	DL 403	59.60.4202	HLMP1790	DL HLMP-1790 RT		0	R 118	57.80.1103	10K			0	R 327	57.80.1220	22R	MF, 1%, 0204, E24	
0	C 202	59.60.0221	22p	CER 63V, 5%, COG, 0805		0	DL 404	59.60.4202	HLMP1790	DL HLMP-1790 RT		0	R 119	57.80.1432	4K3			0	R 328	57.80.1220	22R	MF, 1%, 0204, E24	
0	C 203	59.22.3470	47u	EL 10V, 20%, RM5		0	DZ 301	59.60.9026	24V	5%, 0.2W, SOT 23		0	R 120	57.80.1103	10K			0	R 329	57.80.1220	22R	MF, 1%, 0204, E24	
0	C 204	59.05.1221	22p	PP, 1%, 630V		0	IC 101	59.09.0106	5532AN	IC NE 5532 AN, NE 5532 AN, A		0	R 121	57.80.1681	680R			0	R 330	57.80.1105	1M	MF, 1%, 0204, E24	
0	C 205	59.22.3221	22u	EL 10V, 20%, RM5		0	IC 102	59.09.0106	5532AN	IC NE 5532 AN, NE 5532 AN, A		0	R 122	57.80.1332	3K3			0	R 331	57.80.1222	2K2	MF, 1%, 0204, E24	
0	C 206	59.60.0220	22p	CER 63V, 5%, COG, 0805		0	IC 103	59.09.0106	5532AN	IC NE 5532 AN, NE 5532 AN, A		0	R 123	57.80.1162	1K			0	R 332	57.80.1222	2K2	MF, 1%, 0204, E24	
0	C 207	59.05.1221	22p	PP, 1%, 630V		0	IC 104	59.09.0106	5532AN	IC NE 5532 AN, NE 5532 AN, A		0	R 124	57.80.1184	180K			0	R 333	57.80.1220	22R	MF, 1%, 0204, E24	
0	C 208																						



DI9M C4 AD Board I.940.560.2I

Idx.	Pos.	Part No.	Qty.	Type/Val.	Description
0	XDL 301	50.20.2501		Spacer	LED-Sockel
0	XDL 302	50.20.2501		Spacer	LED-Sockel
0	XDL 401	50.20.2501		Spacer	LED-Sockel
0	XDL 403	50.20.2501		Spacer	LED-Sockel
0	XIC 401	53.03.0168		16p	DIL 0.3", lot, gerade
0	XIC 402	53.03.2284		PLCC84p	PLCC-Socket 84p
0	XIC 403	53.03.0168		16p	DIL 0.3", lot, gerade
0	XIC 404	53.03.0173		28p	DIL 0.6", lot, gerade
0	Y 301	89.01.1015		12.288MHz	Y 12.288 MHz, HC 49/U
0	Y 302	89.01.0559		11.289MHz	Y 11.2896 MHz,

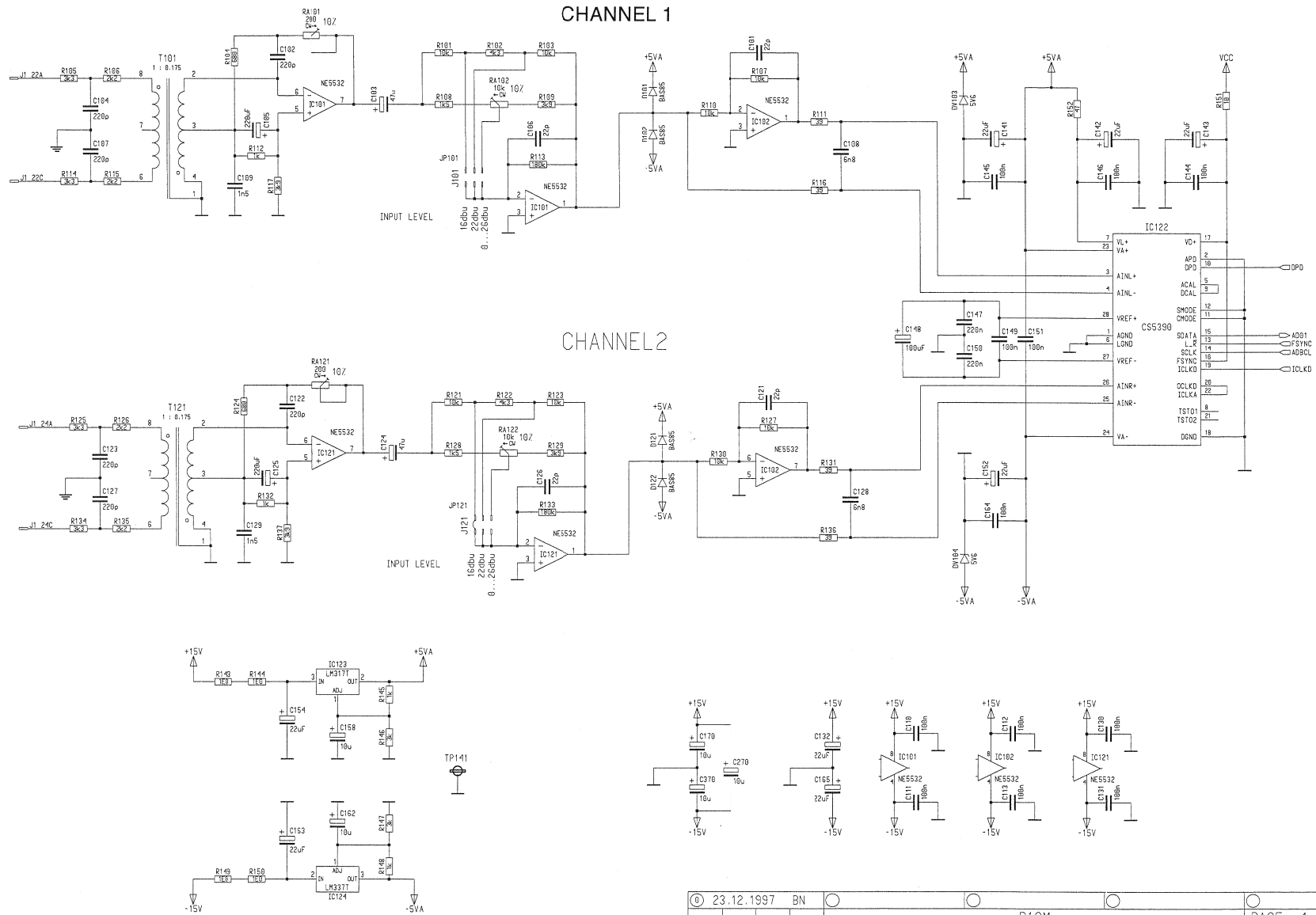
End of List

Comments:

IC-Sockel XIC nn entsprechend den IC Nummern bestuecken.
LED-Sockel XDL nn entsprechend den DL Nummern bestuecken.



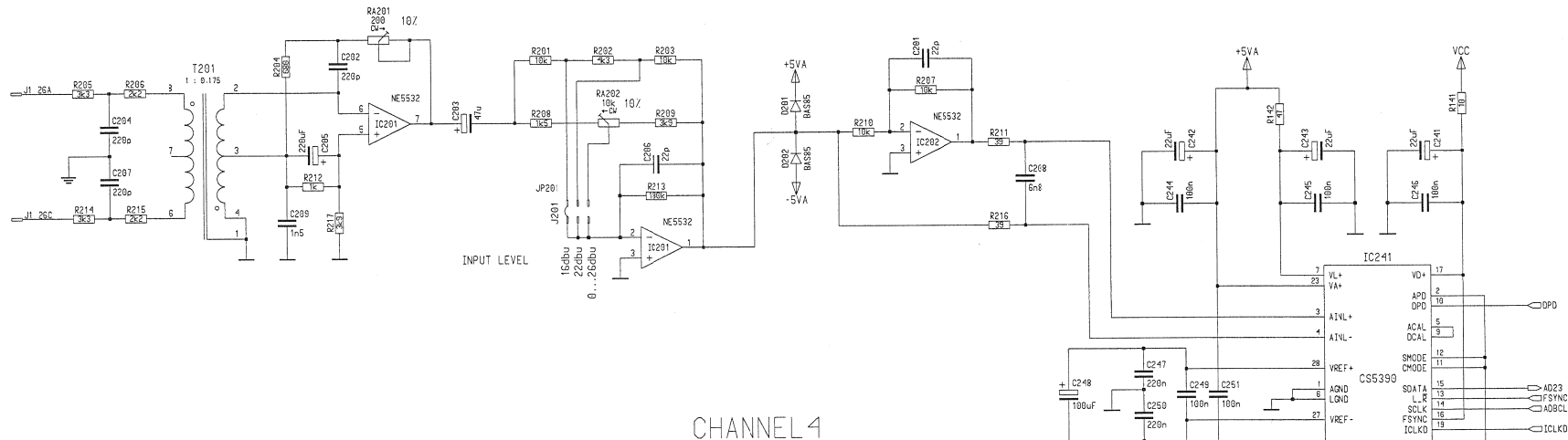
CD19M C4 AD NS Board 1.940.561.21



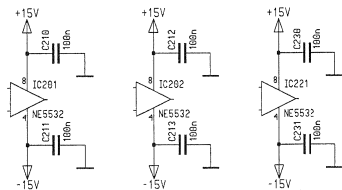
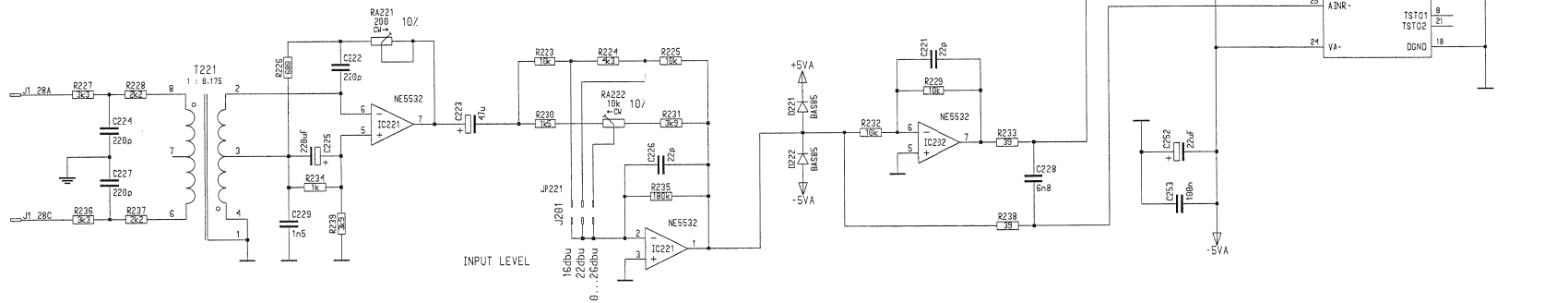


CD19M C4 AD NS Board 1.940.561.21

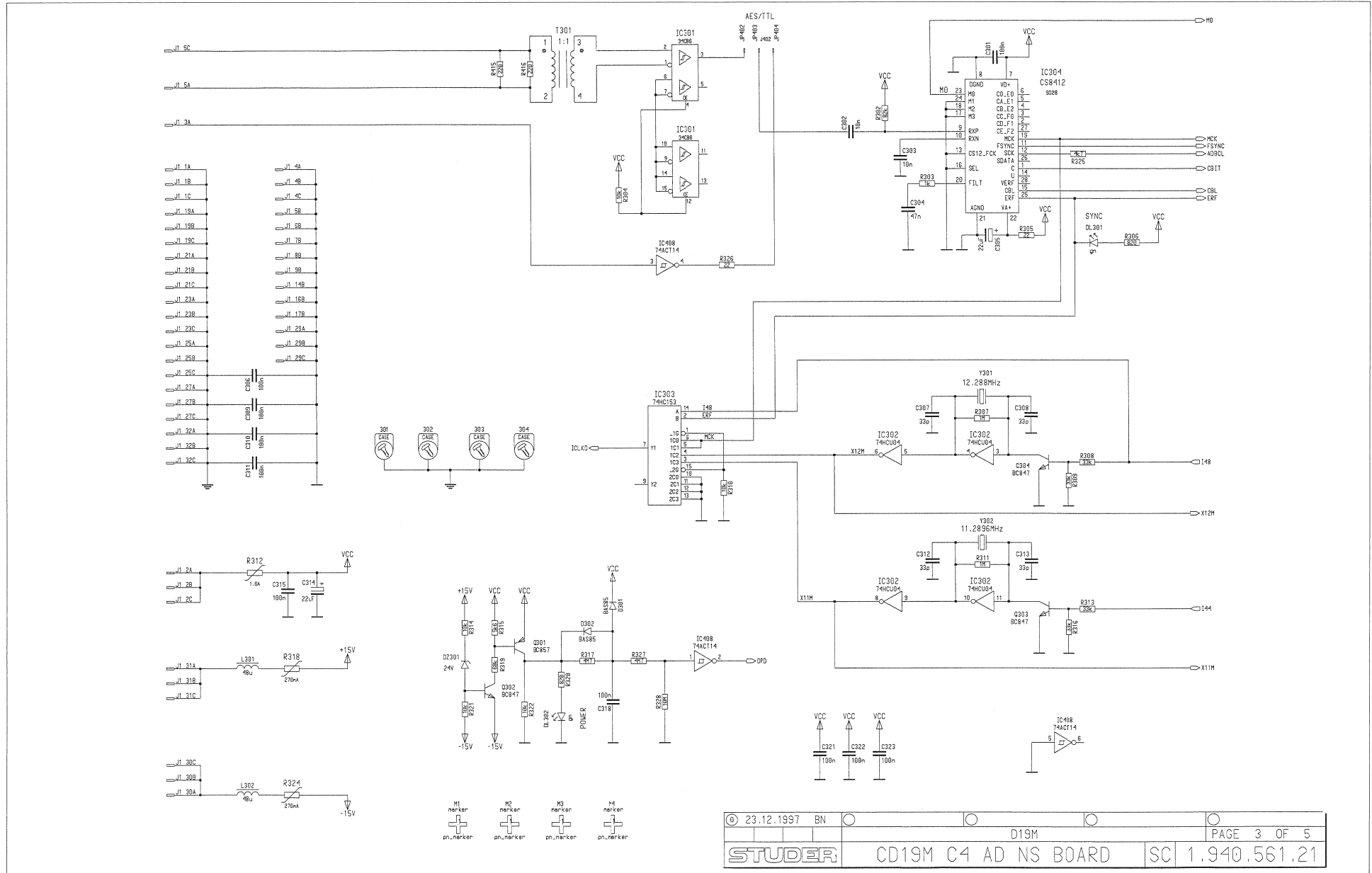
CHANNEL 3



CHANNEL 4

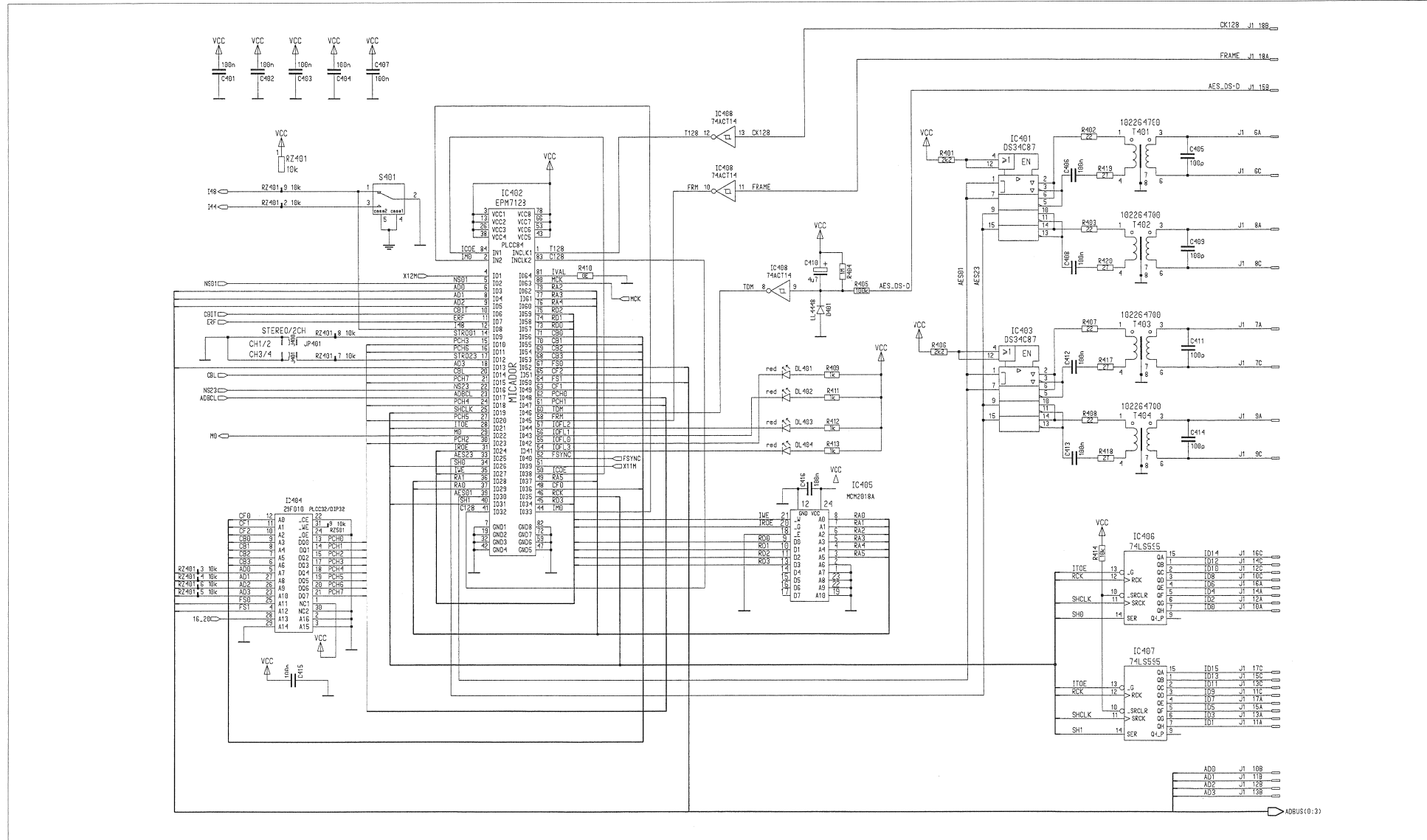


CD19M C4 AD NS Board 1.940.561.21



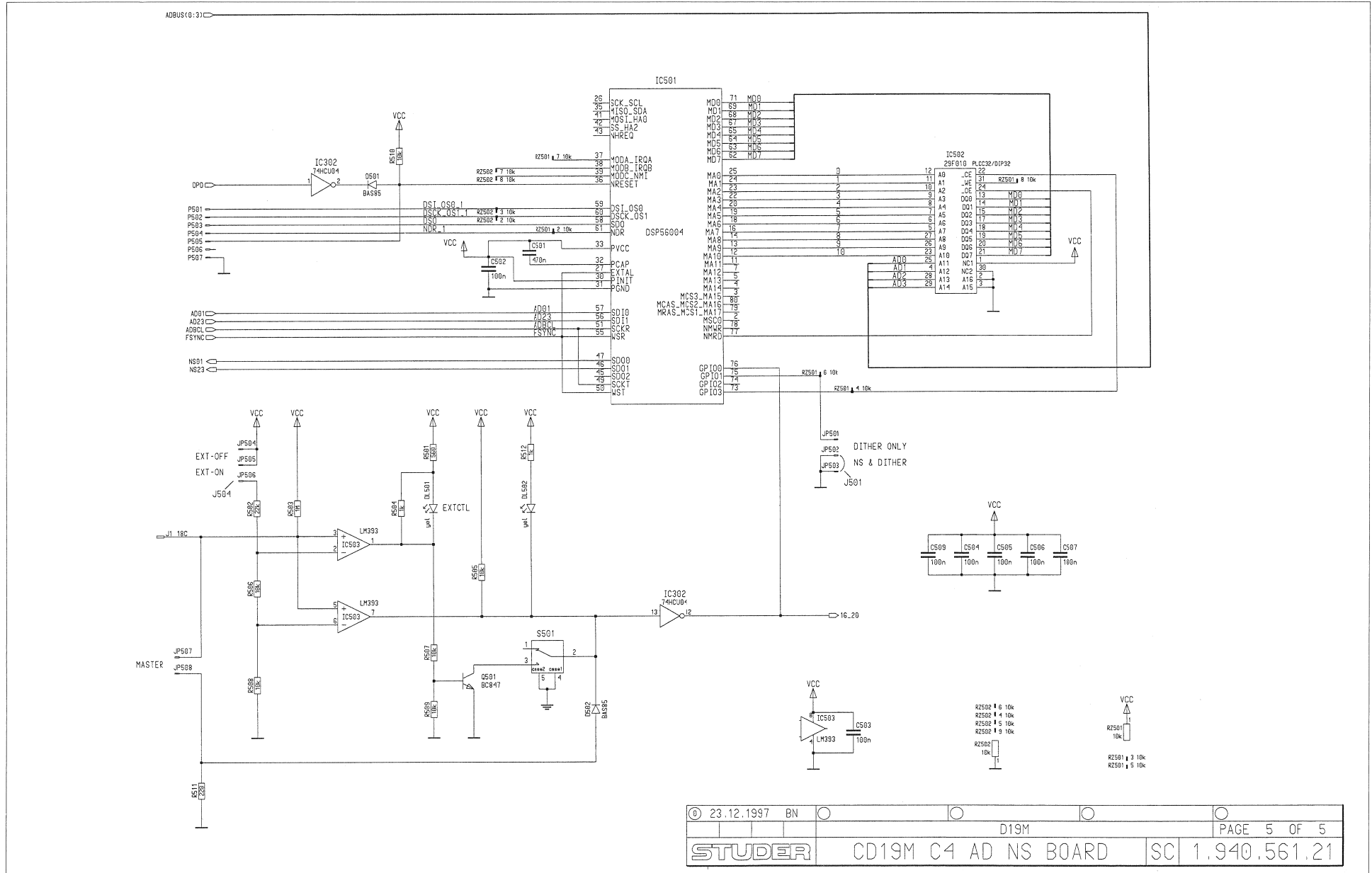


CDI9M C4 AD NS Board 1.940.561.21



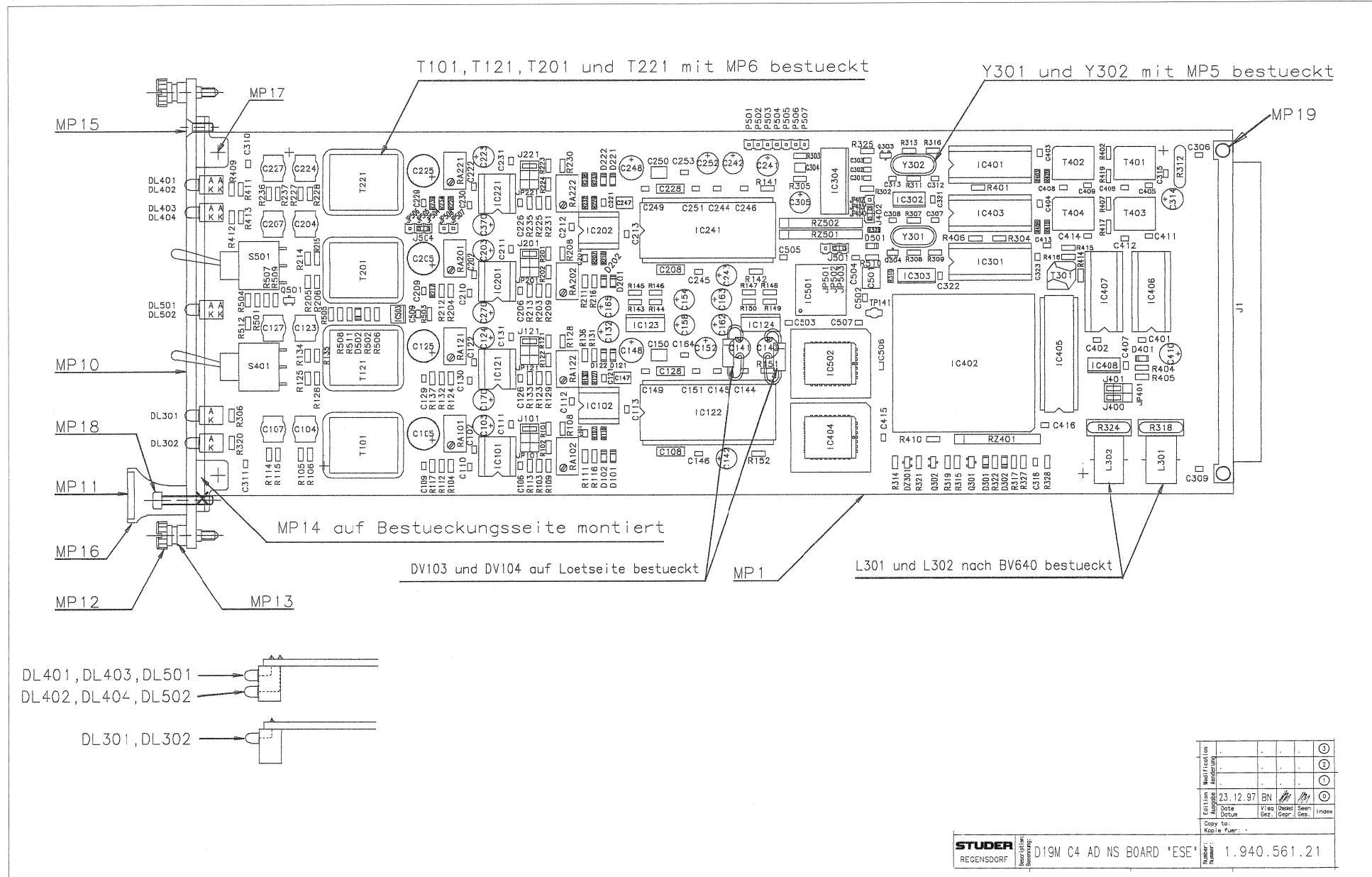


CD19M C4 AD NS Board 1.940.561.21





CD19M C4 AD NS Board 1.940.561.21





CDI9M C4 AD NS Board I.940.561.21

Idx	Pos.	Part No.	Qty.	Type/Val.	Description	Idx	Pos.	Part No.	Qty.	Type/Val.	Description
0	C 101	59.60.0220		22p	CER 63V, 5%, COG, 0805	0	C 301	59.60.3337		100n	CER 50V, 10%, X7R, 0805
0	C 102	59.60.0221		220p	CER 63V, 5%, COG, 0805	0	C 302	59.60.1103		10n	CER 63V, 10%, X7R, 0805
0	C 103	59.22.3470		47u	EL 10V 20% RM5	0	C 303	59.60.1103		10n	CER 63V, 10%, X7R, 0805
0	C 104	59.05.1221		220p	PP, 1%, 630V	0	C 304	59.60.1473		47n	CER 63V, 10%, X7R, 1210
0	C 105	59.22.3221		220u	EL 10V 20% RM5	0	C 305	59.22.5220		22u	EL 25V 20% RM5
0	C 106	59.60.0220		22p	CER 63V, 5%, COG, 0805	0	C 306	59.60.3337		100n	CER 50V, 10%, X7R, 0805
0	C 107	59.05.1221		220p	PP, 1%, 630V	0	C 307	59.60.0330		33p	CER 63V, 5%, COG, 0805
0	C 108	59.06.0682		6n8	PETP, 63V, 10%, RM5	0	C 308	59.60.0330		33p	CER 63V, 5%, COG, 0805
0	C 109	59.60.1152		1n5	CER 63V, 10%, X7R, 0805	0	C 309	59.60.3337		100n	CER 50V, 10%, X7R, 0805
0	C 110	59.60.3337		100n	CER 50V, 10%, X7R, 0805	0	C 310	59.60.3337		100n	CER 50V, 10%, X7R, 0805
0	C 111	59.60.3337		100n	CER 50V, 10%, X7R, 0805	0	C 311	59.60.3337		100n	CER 50V, 10%, X7R, 0805
0	C 112	59.60.3337		100n	CER 50V, 10%, X7R, 0805	0	C 312	59.60.0330		33p	CER 63V, 5%, COG, 0805
0	C 113	59.60.3337		100n	CER 50V, 10%, X7R, 0805	0	C 313	59.60.0330		33p	CER 63V, 5%, COG, 0805
0	C 121	59.60.0220		22p	CER 63V, 5%, COG, 0805	0	C 314	59.22.5220		22u	EL 25V 20% RM5
0	C 122	59.60.0221		220p	CER 63V, 5%, COG, 0805	0	C 315	59.60.3337		100n	CER 50V, 10%, X7R, 0805
0	C 123	59.05.1221		220p	PP, 1%, 630V	0	C 318	59.60.3337		100n	CER 50V, 10%, X7R, 0805
0	C 124	59.22.3470		47u	EL 10V 20% RM5	0	C 321	59.60.3337		100n	CER 50V, 10%, X7R, 0805
0	C 125	59.22.3221		220u	EL 10V 20% RM5	0	C 322	59.60.3337		100n	CER 50V, 10%, X7R, 0805
0	C 126	59.60.0220		22p	CER 63V, 5%, COG, 0805	0	C 323	59.60.3337		100n	CER 50V, 10%, X7R, 0805
0	C 127	59.05.1221		220p	PP, 1%, 630V	0	C 370	59.22.6100		10u	EL 35V 20% RM5
0	C 128	59.06.0682		6n8	PETP, 63V, 10%, RM5	0	C 401	59.60.3337		100n	CER 50V, 10%, X7R, 0805
0	C 129	59.60.1152		1n5	CER 63V, 10%, X7R, 0805	0	C 402	59.60.3337		100n	CER 50V, 10%, X7R, 0805
0	C 130	59.60.3337		100n	CER 50V, 10%, X7R, 0805	0	C 403	59.60.3337		100n	CER 50V, 10%, X7R, 0805
0	C 131	59.60.3337		100n	CER 50V, 10%, X7R, 0805	0	C 404	59.60.3337		100n	CER 50V, 10%, X7R, 0805
0	C 132	59.22.5220		22u	EL 25V 20% RM5	0	C 405	59.60.0101		100p	CER 63V, 5%, COG, 0805
0	C 141	59.22.5220		22u	EL 25V 20% RM5	0	C 406	59.60.3337		100n	CER 50V, 10%, X7R, 0805
0	C 142	59.22.5220		22u	EL 25V 20% RM5	0	C 407	59.60.3337		100n	CER 50V, 10%, X7R, 0805
0	C 143	59.22.5220		22u	EL 25V 20% RM5	0	C 408	59.60.3337		100n	CER 50V, 10%, X7R, 0805
0	C 144	59.60.3337		100n	CER 50V, 10%, X7R, 0805	0	C 409	59.60.0101		100p	CER 63V, 5%, COG, 0805
0	C 145	59.60.3337		100n	CER 50V, 10%, X7R, 0805	0	C 410	59.22.8479		4u7	EL 50V 20% RM5
0	C 146	59.60.3337		100n	CER 50V, 10%, X7R, 0805	0	C 411	59.60.0101		100p	CER 63V, 5%, COG, 0805
0	C 147	59.60.1224		220n	CER 63V, 10%, X7R, 1812	0	C 412	59.60.3337		100n	CER 50V, 10%, X7R, 0805
0	C 148	59.22.3101		100u	EL 10V 20% RM5	0	C 413	59.60.3337		100n	CER 50V, 10%, X7R, 0805
0	C 149	59.60.3337		100n	CER 50V, 10%, X7R, 0805	0	C 414	59.60.0101		100p	CER 63V, 5%, COG, 0805
0	C 150	59.60.1224		220n	CER 63V, 10%, X7R, 1812	0	C 415	59.60.3337		100n	CER 50V, 10%, X7R, 0805
0	C 151	59.60.3337		100n	CER 50V, 10%, X7R, 0805	0	C 416	59.60.3337		100n	CER 50V, 10%, X7R, 0805
0	C 152	59.22.5220		22u	EL 25V 20% RM5	0	C 501	59.60.3845		470n	CER 50V, 10%, X7R, 2220
0	C 154	59.22.5220		22u	EL 25V 20% RM5	0	C 502	59.60.3337		100n	CER 50V, 10%, X7R, 0805
0	C 158	59.22.6100		10u	EL 35V 20% RM5	0	C 503	59.60.3337		100n	CER 50V, 10%, X7R, 0805
0	C 162	59.22.6100		10u	EL 35V 20% RM5	0	C 504	59.60.3337		100n	CER 50V, 10%, X7R, 0805
0	C 163	59.22.5220		22u	EL 25V 20% RM5	0	C 505	59.60.3337		100n	CER 50V, 10%, X7R, 0805
0	C 164	59.60.3337		100n	CER 50V, 10%, X7R, 0805	0	C 506	59.60.3337		100n	CER 50V, 10%, X7R, 0805
0	C 165	59.22.5220		22u	EL 25V 20% RM5	0	C 507	59.60.3337		100n	CER 50V, 10%, X7R, 0805
0	C 170	59.22.6100		10u	EL 35V 20% RM5	0	C 509	59.60.3337		100n	CER 50V, 10%, X7R, 0805
0	C 201	59.60.0220		22p	CER 63V, 5%, COG, 0805	0	D 101	50.60.8101		BAS85	200mA 30V Schottky SOD 80
0	C 202	59.60.0221		220p	CER 63V, 5%, COG, 0805	0	D 102	50.60.8101		BAS85	200mA 30V Schottky SOD 80
0	C 203	59.22.3470		47u	EL 10V 20% RM5	0	D 121	50.60.8101		BAS85	200mA 30V Schottky SOD 80
0	C 204	59.05.1221		220p	PP, 1%, 630V	0	D 122	50.60.8101		BAS85	200mA 30V Schottky SOD 80
0	C 205	59.22.3221		220u	EL 10V 20% RM5	0	D 201	50.60.8101		BAS85	200mA 30V Schottky SOD 80
0	C 206	59.60.0220		22p	CER 63V, 5%, COG, 0805	0	D 202	50.60.8101		BAS85	200mA 30V Schottky SOD 80
0	C 207	59.05.1221		220p	PP, 1%, 630V	0	D 221	50.60.8101		BAS85	200mA 30V Schottky SOD 80
0	C 208	59.06.0682		6n8	PETP, 63V, 10%, RM5	0	D 222	50.60.8101		BAS85	200mA 30V Schottky SOD 80
0	C 209	59.60.1152		1n5	CER 63V, 10%, X7R, 0805	0	D 301	50.60.8101		BAS85	200mA 30V Schottky SOD 80
0	C 210	59.60.3337		100n	CER 50V, 10%, X7R, 0805	0	D 302	50.60.8101		BAS85	200mA 30V Schottky SOD 80
0	C 211	59.60.3337		100n	CER 50V, 10%, X7R, 0805	0	D 401	50.60.8001		4448	200mA 75V 4ns SOD 80
0	C 212	59.60.3337		100n	CER 50V, 10%, X7R, 0805	0	D 501	50.60.8101		BAS85	200mA 30V Schottky SOD 80
0	C 213	59.60.3337		100n	CER 50V, 10%, X7R, 0805	0	D 502	50.60.8101		BAS85	200mA 30V Schottky SOD 80
0	C 221	59.60.0220		22p	CER 63V, 5%, COG, 0805	0	DL 301	50.04.2202		HLMP1790	DL HLMP - 1790 GN
0	C 222	59.60.0221		220p	CER 63V, 5%, COG, 0805	0	DL 302	50.04.2202		HLMP1790	DL HLMP - 1790 GN
0	C 223	59.22.3470		47u	EL 10V 20% RM5	0	DL 401	50.04.2200		HLMP1700	DL HLMP - 1700 RT
0	C 224	59.05.1221		220p	PP, 1%, 630V	0	DL 402	50.04.2200		HLMP1700	DL HLMP - 1700 RT
0	C 225	59.22.3221		220u	EL 10V 20% RM5	0	DL 403	50.04.2200		HLMP1700	DL HLMP - 1700 RT
0	C 226	59.60.0220		22p	CER 63V, 5%, COG, 0805	0	DL 404	50.04.2200		HLMP1700	DL HLMP - 1700 RT
0	C 227	59.05.1221		220p	PP, 1%, 630V	0	DL 501	50.04.2201		HLMP1719	DL HLMP - 1719 GB
0	C 228	59.06.0682		6n8	PETP, 63V, 10%, RM5	0	DL 502	50.04.2202		HLMP1790	DL HLMP - 1790 GN
0	C 229	59.60.1152		1n5	CER 63V, 10%, X7R, 0805	0	DV 103	50.04.1108		5V6	Zener, 5%, 0.5W, DO-35
0	C 230	59.60.3337		100n	CER 50V, 10%, X7R, 0805	0	DV 104	50.04.1108		5V6	Zener, 5%, 0.5W, DO-35
0	C 231	59.60.3337		100n	CER 50V, 10%, X7R, 0805	0	DZ 301	50.60.9026		24V	5%, 0.2W, SOT 23
0	C 241	59.22.5220		22u	EL 25V 20% RM5	0	IC 101	50.09.0106		5532AN	IC NE 5532 AN, NE 5532 AN, ,A
0	C 242	59.22.5220		22u	EL 25V 20% RM5	0	IC 102	50.09.0106		5532AN	IC NE 5532 AN, NE 5532 AN, ,A
0	C 243	59.22.5220		22u	EL 25V 20% RM5	0	IC 121	50.09.0106		5532AN	IC NE 5532 AN, NE 5532 AN, ,A
0	C 244	59.60.3337		100n	CER 50V, 10%, X7R, 0805	0	IC 122	50.19.0205		CS5390	A/D Converter 20bit delta sigma
0	C 245	59.60.3337		100n	CER 50V, 10%, X7R, 0805	0	IC 123	50.10.0104		LM317SP	Series regulator 1.5A ...+37V
0	C 246	59.60.3337		100n	CER 50V, 10%, X7R, 0805	0	IC 124	50.10.0105		LM337KC	Series regulator 1.5A ...-37V
0	C 247	59.60.1224		220n	CER 63V, 10%, X7R, 1812	0	IC 201	50.09.0106		5532AN	IC NE 5532 AN, NE 5532 AN, ,A
0	C 248	59.22.3101		100u	EL 10V 20% RM5	0	IC 202	50.09.0106		5532AN	IC NE 5532 AN, NE 5532 AN, ,A
0	C 249	59.60.3337		100n	CER 50V, 10%, X7R, 0805	0	IC 221	50.09.0106		5532AN	IC NE 5532 AN, NE 5532 AN, ,A
0	C 250	59.60.1224		220n	CER 63V, 10%, X7R, 1812	0	IC 241	50.19.0205		CS5390	A/D Converter 20bit delta sigma
0	C 251	59.60.3337		100n	CER 50V, 10%, X7R, 0805	0	IC 301	50.15.0128		34C86	IC DS 34 C 86 TN, MC34C86P, A
0	C 252	59.22.5220		22u	EL 25V 20% RM5						
0	C 253	59.60.3337		100n	CER 50V, 10%, X7R, 0805						
0	C 270	59.22.6100		10u	EL 35V 20% RM5						



CDI9M C4 AD NS Board 1.940.561.21

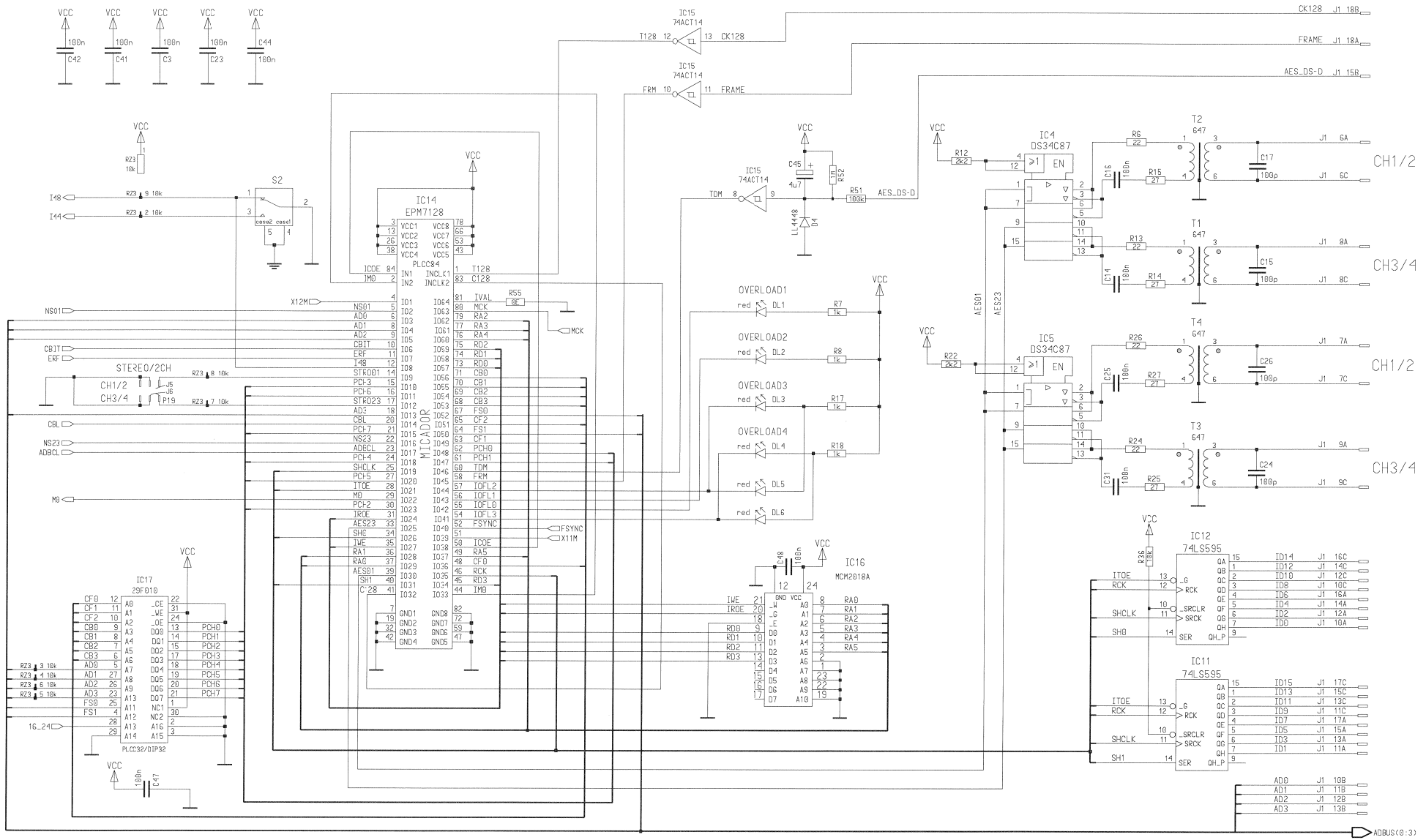
Idx	Pos.	Part No.	Qty.	Type/Val.	Description	Idx	Pos.	Part No.	Qty.	Type/Val.	Description
0	IC 302	50.62.1904		74HCU04	Hex inverter unbuffered	0	R 109	57.60.1392		3K9	MF, 1%, 0204, E24
0	IC 303	50.62.1153		74HC153	Dual 4ch multiplexer	0	R 110	57.60.1103		10K	MF, 1%, 0204, E24
0	IC 304	50.62.0913		CS8412	AES-Receiver	0	R 111	57.60.1390		39R	MF, 1%, 0204, E24
0	IC 401	50.15.0127		34C87	IC DS 34 C 87 TN, MC34C87P_A	0	R 112	57.60.1102		1K	MF, 1%, 0204, E24
0	IC 402	1.940.966.21			SW 560 MICADOR (60.63.4206)	0	R 113	57.60.1184		180K	MF, 1%, 0204, E24
0	IC 403	50.15.0127		34C87	IC DS 34 C 87 TN, MC34C87P_A	0	R 114	57.60.1332		3K3	MF, 1%, 0204, E24
0	IC 404	1.940.969.20			SW 561 ADCBIT (50.63.1303)	0	R 115	57.60.1222		2K2	MF, 1%, 0204, E24
0	IC 405	50.14.1009		7C128A	SRAM 2K*8 35ns	0	R 116	57.60.1390		39R	MF, 1%, 0204, E24
0	IC 406	50.06.0595		74LS595	SN 74 LS 595 N	0	R 117	57.60.1392		3K9	MF, 1%, 0204, E24
0	IC 407	50.06.0595		74LS595	SN 74 LS 595 N	0	R 121	57.60.1103		10K	MF, 1%, 0204, E24
0	IC 408	50.62.6014		74ACT 14	Hex inverting Schmitt trigger	0	R 122	57.60.1432		4K3	MF, 1%, 0204, E24
0	IC 501	50.63.0404		56004	DSP 56 004 40MHz	0	R 123	57.60.1103		10K	MF, 1%, 0204, E24
0	IC 502	1.940.978.20			SW 561 Dither+NS (50.63.1303)	0	R 124	57.60.1681		680R	MF, 1%, 0204, E24
0	IC 503	50.61.9001		LM393	Dual voltage comp. SO 8	0	R 125	57.60.1332		3K3	MF, 1%, 0204, E24
						0	R 126	57.60.1222		2K2	MF, 1%, 0204, E24
						0	R 127	57.60.1103		10K	MF, 1%, 0204, E24
0	J 1	54.11.2009		96p	EU-R 3*32p	0	R 128	57.60.1152		1K5	MF, 1%, 0204, E24
0	J 101	54.01.0021		Jumper	0.63 * 0.63mm	0	R 129	57.60.1392		3K9	MF, 1%, 0204, E24
0	J 121	54.01.0021		Jumper	0.63 * 0.63mm	0	R 130	57.60.1103		10K	MF, 1%, 0204, E24
0	J 201	54.01.0021		Jumper	0.63 * 0.63mm	0	R 131	57.60.1390		39R	MF, 1%, 0204, E24
0	J 221	54.01.0021		Jumper	0.63 * 0.63mm	0	R 132	57.60.1102		1K	MF, 1%, 0204, E24
0	J 400	54.01.0021		Jumper	0.63 * 0.63mm	0	R 133	57.60.1184		180K	MF, 1%, 0204, E24
0	J 401	54.01.0021		Jumper	0.63 * 0.63mm	0	R 134	57.60.1332		3K3	MF, 1%, 0204, E24
0	J 402	54.01.0021		Jumper	0.63 * 0.63mm	0	R 135	57.60.1222		2K2	MF, 1%, 0204, E24
0	J 501	54.01.0021		Jumper	0.63 * 0.63mm	0	R 136	57.60.1390		39R	MF, 1%, 0204, E24
0	J 504	54.01.0021		Jumper	0.63 * 0.63mm	0	R 137	57.60.1392		3K9	MF, 1%, 0204, E24
0	JP 101	54.11.0136		2*3p	Pin 0.63*0.63, RM2.54	0	R 141	57.60.1100		10R	MF, 1%, 0204, E24
0	JP 121	54.11.0136		2*3p	Pin 0.63*0.63, RM2.54	0	R 142	57.60.1470		47R	MF, 1%, 0204, E24
0	JP 201	54.11.0136		2*3p	Pin 0.63*0.63, RM2.54	0	R 143	57.60.1109		1R	MF, 1%, 0204, E24
0	JP 221	54.11.0136		2*3p	Pin 0.63*0.63, RM2.54	0	R 144	57.60.1109		1R	MF, 1%, 0204, E24
0	JP 401	54.11.0136		2*3p	Pin 0.63*0.63, RM2.54	0	R 145	57.60.1102		1K	MF, 1%, 0204, E24
0	JP 402	54.01.0020		1p	Pin 0.63*0.63	0	R 146	57.60.1302		3K0	MF, 1%, 0204, E24
0	JP 403	54.01.0020		1p	Pin 0.63*0.63	0	R 147	57.60.1302		3K0	MF, 1%, 0204, E24
0	JP 404	54.01.0020		1p	Pin 0.63*0.63	0	R 148	57.60.1102		1K	MF, 1%, 0204, E24
0	JP 501	54.01.0020		1p	Pin 0.63*0.63	0	R 149	57.60.1109		1R	MF, 1%, 0204, E24
0	JP 502	54.01.0020		1p	Pin 0.63*0.63	0	R 150	57.60.1109		1R	MF, 1%, 0204, E24
0	JP 503	54.01.0020		1p	Pin 0.63*0.63	0	R 151	57.60.1100		10R	MF, 1%, 0204, E24
0	JP 504	54.01.0020		1p	Pin 0.63*0.63	0	R 152	57.60.1470		47R	MF, 1%, 0204, E24
0	JP 505	54.01.0020		1p	Pin 0.63*0.63	0	R 201	57.60.1103		10K	MF, 1%, 0204, E24
0	JP 506	54.01.0020		1p	Pin 0.63*0.63	0	R 202	57.60.1432		4K3	MF, 1%, 0204, E24
0	JP 507	54.01.0020		1p	Pin 0.63*0.63	0	R 203	57.60.1103		10K	MF, 1%, 0204, E24
0	JP 508	54.01.0020		1p	Pin 0.63*0.63	0	R 204	57.60.1681		680R	MF, 1%, 0204, E24
0	L 301	62.03.0010		48uH	2A Toroid Chocke	0	R 205	57.60.1332		3K3	MF, 1%, 0204, E24
0	L 302	62.03.0010		48uH	2A Toroid Chocke	0	R 206	57.60.1222		2K2	MF, 1%, 0204, E24
0	MP 1	1.940.561.11			DI9M C4 AD BOARD NS PCB	0	R 207	57.60.1103		10K	MF, 1%, 0204, E24
0	MP 2	1.940.561.04			TYPENSCHILD	0	R 208	57.60.1152		1K5	MF, 1%, 0204, E24
0	MP 3	43.01.0108		Label	ESE-WARNSCHILD	0	R 209	57.60.1392		3K9	MF, 1%, 0204, E24
0	MP 4	1.101.001.21			TEXT-ETIK. 5*20 HARDWARE -21	0	R 210	57.60.1103		10K	MF, 1%, 0204, E24
0	MP 5	89.01.1499	2 pcs		QUARZ - ISOLIERPLATTE	0	R 211	57.60.1390		39R	MF, 1%, 0204, E24
0	MP 6	1.022.400.03	4 pcs		ISOLATION	0	R 212	57.60.1102		1K	MF, 1%, 0204, E24
0	MP 7	1.010.127.65	2 pcs	9.5*15	Schrumpf-Schlauch bl	0	R 213	57.60.1184		180K	MF, 1%, 0204, E24
0	MP 10	1.940.561.01	1 pce		FRONTPLATTE C4AD NS	0	R 214	57.60.1332		3K3	MF, 1%, 0204, E24
0	MP 11	1.940.600.04	1 pce		GRIFFEINLAGE 4TE	0	R 215	57.60.1222		2K2	MF, 1%, 0204, E24
0	MP 12	49.02.0520	2 pcs	M2.5*12	Rändelschraube (Rack)	0	R 216	57.60.1390		39R	MF, 1%, 0204, E24
0	MP 13	49.02.0521	2 pcs		Metall-Buchse (Rack)	0	R 217	57.60.1392		3K9	MF, 1%, 0204, E24
0	MP 14	49.02.0522	2 pcs		Kartenhalter (Rack)	0	R 223	57.60.1103		10K	MF, 1%, 0204, E24
0	MP 15	49.02.0523	1 pce	M2.5*7	Senk-Schr, KS, Senkripp	0	R 224	57.60.1432		4K3	MF, 1%, 0204, E24
0	MP 16	49.02.0504	1 pce	4TE	Frontplatten-Griff	0	R 225	57.60.1103		10K	MF, 1%, 0204, E24
0	MP 17	21.53.0279	2 pcs	M2.5*6	Z-Schraube Inbus Zn gb chr	0	R 226	57.60.1681		680R	MF, 1%, 0204, E24
0	MP 18	21.53.0284	1 pce	M2.5*16	Z-Schraube Inbus Zn gb chr	0	R 227	57.60.1332		3K3	MF, 1%, 0204, E24
0	MP 19	28.99.0119	2 pcs		ROHRNIETE D 2.5*0.15* 9	0	R 228	57.60.1222		2K2	MF, 1%, 0204, E24
0	P 501	not used		1p	Pin 0.63*0.63	0	R 229	57.60.1103		10K	MF, 1%, 0204, E24
0	P 502	not used		1p	Pin 0.63*0.63	0	R 230	57.60.1152		1K5	MF, 1%, 0204, E24
0	P 503	not used		1p	Pin 0.63*0.63	0	R 231	57.60.1392		3K9	MF, 1%, 0204, E24
0	P 504	not used		1p	Pin 0.63*0.63	0	R 232	57.60.1103		10K	MF, 1%, 0204, E24
0	P 505	not used		1p	Pin 0.63*0.63	0	R 233	57.60.1390		39R	MF, 1%, 0204, E24
0	P 506	not used		1p	Pin 0.63*0.63	0	R 234	57.60.1102		1K	MF, 1%, 0204, E24
0	P 507	not used		1p	Pin 0.63*0.63	0	R 235	57.60.1184		180K	MF, 1%, 0204, E24
0	Q 301	50.60.1001		BC857B	PNP 45V 100mA SOT 23	0	R 236	57.60.1332		3K3	MF, 1%, 0204, E24
0	Q 302	50.60.0001		BC847B	NPN 45V 100mA SOT 23	0	R 237	57.60.1222		2K2	MF, 1%, 0204, E24
0	Q 303	50.60.0001		BC847B	NPN 45V 100mA SOT 23	0	R 238	57.60.1390		39R	MF, 1%, 0204, E24
0	Q 304	50.60.0001		BC847B	NPN 45V 100mA SOT 23	0	R 239	57.60.1392		3K9	MF, 1%, 0204, E24
0	Q 501	50.60.0001		BC847B	NPN 45V 100mA SOT 23	0	R 302	57.60.1823		82K	MF, 1%, 0204, E24
0	R 101	57.60.1103		10K	MF, 1%, 0204, E24	0	R 303	57.60.1102		1K	MF, 1%, 0204, E24
0	R 102	57.60.1432		4K3	MF, 1%, 0204, E24	0	R 304	57.60.1103		10K	MF, 1%, 0204, E24
0	R 103	57.60.1103		10K	MF, 1%, 0204, E24	0	R 305	57.60.1220		22R	MF, 1%, 0204, E24
0	R 104	57.60.1681		680R	MF, 1%, 0204, E24	0	R 306	57.60.1102		1K	MF, 1%, 0204, E24
0	R 105	57.60.1332		3K3	MF, 1%, 0204, E24	0	R 307	57.60.1105		1M	MF, 1%, 0204, E24
0	R 106	57.60.1222		2K2	MF, 1%, 0204, E24	0	R 308	57.60.1333		33K	MF, 1%, 0204, E24
0	R 107	57.60.1103		10K	MF, 1%, 0204, E24	0	R 309	57.60.1333		33K	MF, 1%, 0204, E24
0	R 108	57.60.1152		1K5	MF, 1%, 0204, E24	0	R 310	57.60.1103		10K	MF, 1%, 0204, E24
						0	R 311	57.60.1105		1M	MF, 1%, 0204, E24



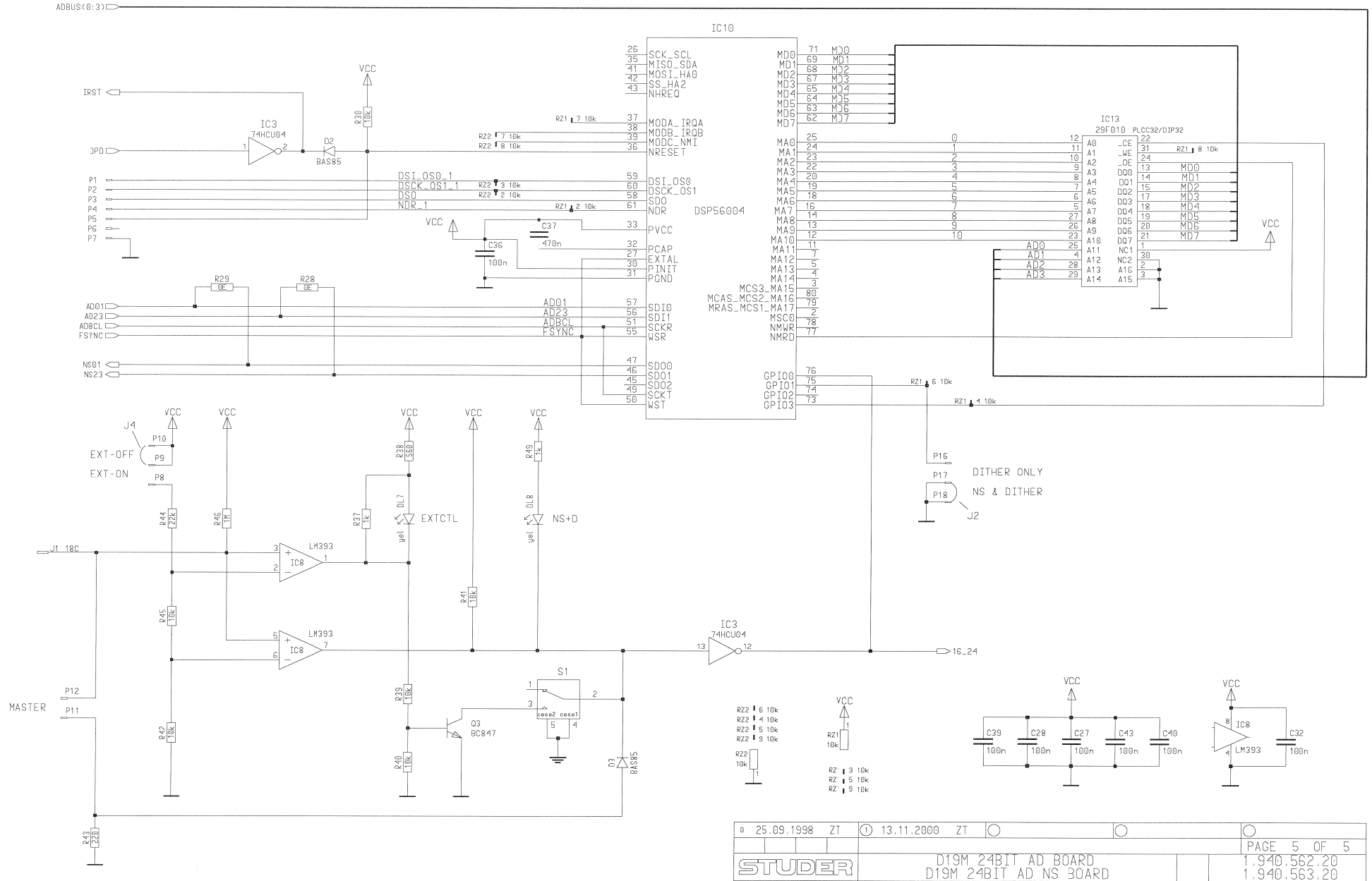
CDI9M C4 AD NS Board I.940.561.21

Idx	Pos.	Part No.	Qty.	Type/Val.	Description	Idx	Pos.	Part No.	Qty.	Type/Val.	Description
0	R 312	57.92.7053		1.6A	PTC 30V	0	R 512	57.60.1102		1K	MF, 1%, 0204, E24
0	R 313	57.60.1333		33K	MF, 1%, 0204, E24	0	RA 101	58.05.1201		200R	10%, 0.5W, Cermet
0	R 314	57.60.1103		10K	MF, 1%, 0204, E24	0	RA 102	58.05.1103		10k	10%, 0.5W, Cermet
0	R 315	57.60.1562		5K6	MF, 1%, 0204, E24	0	RA 121	58.05.1201		200R	10%, 0.5W, Cermet
0	R 316	57.60.1333		33K	MF, 1%, 0204, E24	0	RA 122	58.05.1103		10k	10%, 0.5W, Cermet
0	R 317	57.60.1475		4M7	MF, 1%, 0204, E24	0	RA 201	58.05.1201		200R	10%, 0.5W, Cermet
0	R 318	57.92.1221		270mA	PTC 30V 60hm	0	RA 202	58.05.1103		10k	10%, 0.5W, Cermet
0	R 319	57.60.1683		68K	MF, 1%, 0204, E24	0	RA 221	58.05.1201		200R	10%, 0.5W, Cermet
0	R 320	57.60.1821		820R	MF, 1%, 0204, E24	0	RA 222	58.05.1103		10k	10%, 0.5W, Cermet
0	R 321	57.60.1103		10K	MF, 1%, 0204, E24	0	RZ 401	57.88.4103		10k	8*R Resistor-Netw 2% SIP9
0	R 322	57.60.1103		10K	MF, 1%, 0204, E24	0	RZ 501	57.88.4103		10k	8*R Resistor-Netw 2% SIP9
0	R 324	57.92.1221		270mA	PTC 30V 60hm	0	RZ 502	57.88.4103		10k	8*R Resistor-Netw 2% SIP9
0	R 325	57.60.1472		4K7	MF, 1%, 0204, E24	0	S 401	55.11.0202		SPDT	Toggle 1 * on-none-on
0	R 326	57.60.1220		22R	MF, 1%, 0204, E24	0	S 501	55.11.0202		SPDT	Toggle 1 * on-none-on
0	R 327	57.60.1475		4M7	MF, 1%, 0204, E24	0	T 101	1.022.454.00		1:0.175	EINGANGSTRAFO 1:0,175
0	R 328	57.60.1106		10M	MF, 1%, 0204, E24	0	T 121	1.022.454.00		1:0.175	EINGANGSTRAFO 1:0,175
0	R 401	57.60.1222		2K2	MF, 1%, 0204, E24	0	T 201	1.022.454.00		1:0.175	EINGANGSTRAFO 1:0,175
0	R 402	57.60.1220		22R	MF, 1%, 0204, E24	0	T 221	1.022.454.00		1:0.175	EINGANGSTRAFO 1:0,175
0	R 403	57.60.1220		22R	MF, 1%, 0204, E24	0	T 301	1.022.632.00		1:1	DI/DO TRANSFORMER
0	R 404	57.60.1105		1M	MF, 1%, 0204, E24	0	T 401	1.022.647.00		1:1.4	OUTPUT TRAFO AES/EBU
0	R 405	57.60.1104		100K	MF, 1%, 0204, E24	0	T 402	1.022.647.00		1:1.4	OUTPUT TRAFO AES/EBU
0	R 406	57.60.1222		2K2	MF, 1%, 0204, E24	0	T 403	1.022.647.00		1:1.4	OUTPUT TRAFO AES/EBU
0	R 407	57.60.1220		22R	MF, 1%, 0204, E24	0	T 404	1.022.647.00		1:1.4	OUTPUT TRAFO AES/EBU
0	R 408	57.60.1220		22R	MF, 1%, 0204, E24	0	TP 141	54.02.0320		1p	PCB-Flachst 2.8*0.8, gerade
0	R 409	57.60.1102		1K	MF, 1%, 0204, E24	0	XDL 301	50.20.2501		Spacer	LED-Sockel
0	R 410	57.60.1000		0R0	MF, 0204	0	XDL 302	50.20.2501		Spacer	LED-Sockel
0	R 411	57.60.1102		1K	MF, 1%, 0204, E24	0	XDL 401	50.20.2501		Spacer	LED-Sockel
0	R 412	57.60.1102		1K	MF, 1%, 0204, E24	0	XDL 403	50.20.2501		Spacer	LED-Sockel
0	R 413	57.60.1102		1K	MF, 1%, 0204, E24	0	XDL 501	50.20.2501		Spacer	LED-Sockel
0	R 414	57.60.1103		10K	MF, 1%, 0204, E24	0	XIC 401	53.03.0168		16p	DIL 0.3", löt, gerade
0	R 415	57.60.1221		220R	MF, 1%, 0204, E24	0	XIC 402	53.03.2284		84p	PLCC-Socket
0	R 416	57.60.1221		220R	MF, 1%, 0204, E24	0	XIC 403	53.03.0168		16p	DIL 0.3", löt, gerade
0	R 417	57.60.1270		27R	MF, 1%, 0204, E24	0	XIC 404	53.03.2232		32p	PLCC-Socket
0	R 418	57.60.1270		27R	MF, 1%, 0204, E24	0	XIC 502	53.03.2232		32p	PLCC-Socket
0	R 419	57.60.1270		27R	MF, 1%, 0204, E24	0	Y 301	89.01.1015		12.288MHz	XTAL HC 49/U
0	R 420	57.60.1270		27R	MF, 1%, 0204, E24	0	Y 302	89.01.0559		11.289MHz	XTAL
0	R 501	57.60.1561		560R	MF, 1%, 0204, E24	End of List					
0	R 502	57.60.1223		22K	MF, 1%, 0204, E24	<u>Comments</u> (21) latch-up problem at AD-converter					
0	R 503	57.60.1105		1M	MF, 1%, 0204, E24						
0	R 504	57.60.1102		1K	MF, 1%, 0204, E24						
0	R 505	57.60.1103		10K	MF, 1%, 0204, E24						
0	R 506	57.60.1103		10K	MF, 1%, 0204, E24						
0	R 507	57.60.1103		10K	MF, 1%, 0204, E24						
0	R 508	57.60.1103		10K	MF, 1%, 0204, E24						
0	R 509	57.60.1103		10K	MF, 1%, 0204, E24						
0	R 510	57.60.1103		10K	MF, 1%, 0204, E24						
0	R 511	57.60.1221		220R	MF, 1%, 0204, E24						

C4AD/24, 24 Bit A/D 1.940.562.20 (1); C4AD NS/24, 24 Bit A/D w. Noise Shaping 1.940.563.20 (1)

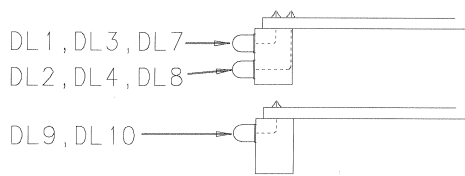
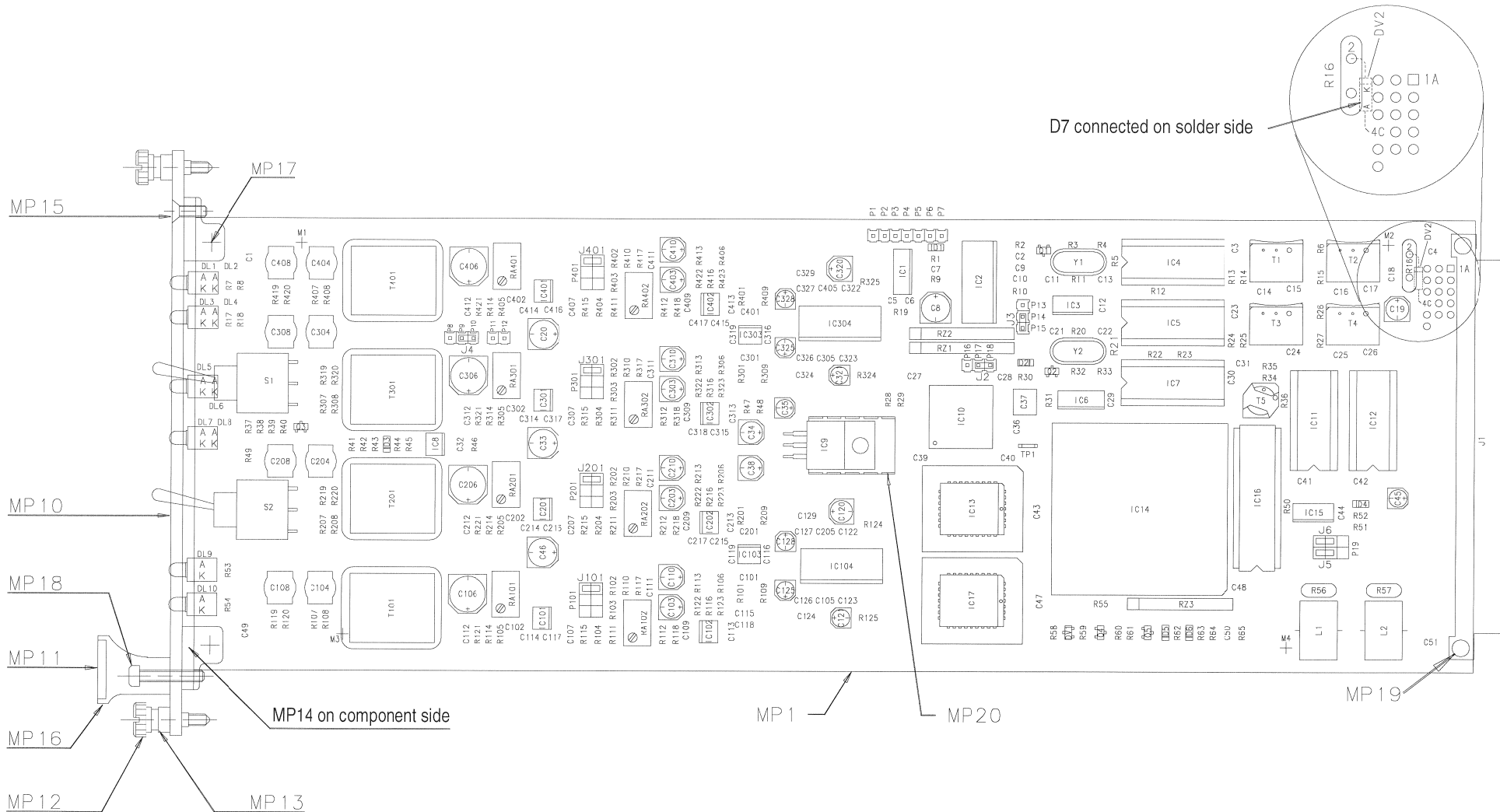


C4AD/24, 24 Bit A/D 1.940.562.20 (1); C4AD NS/24, 24 Bit A/D w. Noise Shaping 1.940.563.20 (1)



25.09.1998	ZT	13.11.2000	ZT							
STUDER								D19M 24BIT AD BOARD D19M 24BIT AD NS BOARD		PAGE 5 OF 5 1.940.562.20 1.940.563.20

C4AD/24, 24 Bit A/D 1.940.562.20 (1); C4AD NS/24, 24 Bit A/D w. Noise Shaping 1.940.563.20 (1)



Accompanying documents: Zugehörige Unterlagen: PL, BV640		General tolerance: Freimaßtoleranz:	Scale: Maßstab:	Edition Ausgabe: 13.11.2000	ZT	ML	HM	(1)
Substitute for: Ersatz fuer: 1.940.562/563.20		Index 0		Date Datum: 13.11.2000	Visa Gez.:	Checked Gepr.:	Seen Ges.:	Index
STUDER				Description: Benennung: D19M 24BIT AD BOARD "ESE"		Page: Seite: 1 / 1		Number: Nummer: 1.940.562.20 1.940.563.20
REGENSDORF				D19M 24BIT AD NS BOARD "ESE"				

C4AD/24, 24 Bit A/D 1.940.562.20 (2)

Idx. Pos.	Part No.	Qty.	Type/Val.	Description	Idx. Pos.	Part No.	Qty.	Type/Val.	Description
0 C 1	59.60.3337	100n		CER 50V, 10%, X7R, 0805	0 C 208	59.05.1221	220p		PP, 1%, 630V
0 C 2	59.60.3325	10n		CER 50V, 10%, X7R, 0805	0 C 209	59.60.2233	22p		CER 50V, 5%, COG, 0603
0 C 3	59.60.3337	100n		CER 50V, 10%, X7R, 0805	0 C 210	59.68.0067	22u		EL 16V, 5.0*5.7
0 C 4	59.60.3337	100n		CER 50V, 10%, X7R, 0805	0 C 211	59.60.3337	100n		CER 50V, 10%, X7R, 0805
0 C 5	59.60.3337	100n		CER 50V, 10%, X7R, 0805	0 C 212	59.60.3315	1n5		CER 50V, 10%, X7R, 0805
0 C 6	59.60.3325	10n		CER 50V, 10%, X7R, 0805	0 C 213	59.60.2257	220p		CER 50V, 5%, COG, 0603
0 C 7	59.60.3333	47n		CER 50V, 10%, X7R, 0805	0 C 214	59.60.3337	100n		CER 50V, 10%, X7R, 0805
0 C 8	59.68.0111	22u		EL 35V, 6.3*5.7	0 C 215	59.60.3337	100n		CER 50V, 10%, X7R, 0805
0 C 9	59.60.3325	10n		CER 50V, 10%, X7R, 0805	0 C 216	59.60.3337	100n		CER 50V, 10%, X7R, 0805
0 C 10	59.60.3337	100n		CER 50V, 10%, X7R, 0805	0 C 217	59.60.3337	100n		CER 50V, 10%, X7R, 0805
0 C 11	59.60.2237	33p		CER 50V, 5%, COG, 0603	0 C 301	59.60.2257	220p		CER 50V, 5%, COG, 0603
0 C 12	59.60.3337	100n		CER 50V, 10%, X7R, 0805	0 C 302	59.60.2257	220p		CER 50V, 5%, COG, 0603
0 C 13	59.60.2237	33p		CER 50V, 5%, COG, 0603	0 C 303	59.68.0027	47u		EL 6V, 5.0*5.7
0 C 14	59.60.3337	100n		CER 50V, 10%, X7R, 0805	0 C 304	59.05.1221	220p		PP, 1%, 630V
0 C 15	59.60.2249	100p		CER 50V, 5%, COG, 0603	0 C 305	59.60.3317	2n2		CER 50V, 10%, X7R, 0805
0 C 16	59.60.3337	100n		CER 50V, 10%, X7R, 0805	0 C 306	59.68.0073	220u		EL 16V, 8.0*10.7
0 C 17	59.60.2249	100p		CER 50V, 5%, COG, 0603	0 C 307	59.60.2233	22p		CER 50V, 5%, COG, 0603
0 C 18	59.60.3337	100n		CER 50V, 10%, X7R, 0805	0 C 308	59.05.1221	220p		PP, 1%, 630V
0 C 19	59.68.0067	22u		EL 16V, 5.0*5.7	0 C 309	59.60.2233	22p		CER 50V, 5%, COG, 0603
0 C 20	59.68.0111	22u		EL 35V, 6.3*5.7	0 C 310	59.68.0067	22u		EL 16V, 5.0*5.7
0 C 21	59.60.2237	33p		CER 50V, 5%, COG, 0603	0 C 311	59.60.3337	100n		CER 50V, 10%, X7R, 0805
0 C 22	59.60.2237	33p		CER 50V, 5%, COG, 0603	0 C 312	59.60.3315	1n5		CER 50V, 10%, X7R, 0805
0 C 23	59.60.3337	100n		CER 50V, 10%, X7R, 0805	0 C 313	59.60.2257	220p		CER 50V, 5%, COG, 0603
0 C 24	59.60.2249	100p		CER 50V, 5%, COG, 0603	0 C 314	59.60.3337	100n		CER 50V, 10%, X7R, 0805
0 C 25	59.60.3337	100n		CER 50V, 10%, X7R, 0805	0 C 315	59.60.3337	100n		CER 50V, 10%, X7R, 0805
0 C 26	59.60.2249	100p		CER 50V, 5%, COG, 0603	0 C 316	59.60.3337	100n		CER 50V, 10%, X7R, 0805
0 C 27	59.60.3337	100n		CER 50V, 10%, X7R, 0805	0 C 317	59.60.3337	100n		CER 50V, 10%, X7R, 0805
0 C 28	59.60.3337	100n		CER 50V, 10%, X7R, 0805	0 C 318	59.60.3337	100n		CER 50V, 10%, X7R, 0805
0 C 29	59.60.3337	100n		CER 50V, 10%, X7R, 0805	0 C 319	59.60.3337	100n		CER 50V, 10%, X7R, 0805
0 C 30	59.60.3337	100n		CER 50V, 10%, X7R, 0805	0 C 320	59.68.0067	22u		EL 16V, 5.0*5.7
0 C 31	59.60.3337	100n		CER 50V, 10%, X7R, 0805	0 C 321	59.68.0065	10u		EL 16V, 4.0*5.7
0 C 32	59.60.3337	100n		CER 50V, 10%, X7R, 0805	0 C 322	59.60.3337	100n		CER 50V, 10%, X7R, 0805
0 C 33	59.68.0111	22u		EL 35V, 6.3*5.7	0 C 323	59.60.3337	100n		CER 50V, 10%, X7R, 0805
0 C 34	59.68.0067	22u		EL 16V, 5.0*5.7	0 C 324	59.60.3441	220n		CER 50V, 10%, X7R, 1206
0 C 35	59.68.0065	10u		EL 16V, 4.0*5.7	0 C 325	59.68.0065	10u		EL 16V, 4.0*5.7
0 C 36	not used	100n		CER 50V, 10%, X7R, 0805	0 C 326	59.60.3337	100n		CER 50V, 10%, X7R, 0805
0 C 37	not used	470n		CER 50V, 10%, X7R, 2220	0 C 327	59.60.3337	100n		CER 50V, 10%, X7R, 0805
0 C 38	59.68.0067	22u		EL 16V, 5.0*5.7	0 C 328	59.68.0065	10u		EL 16V, 4.0*5.7
0 C 39	59.60.3337	100n		CER 50V, 10%, X7R, 0805	0 C 329	59.60.3441	220n		CER 50V, 10%, X7R, 1206
0 C 40	59.60.3337	100n		CER 50V, 10%, X7R, 0805	0 C 401	59.60.2257	220p		CER 50V, 5%, COG, 0603
0 C 41	59.60.3337	100n		CER 50V, 10%, X7R, 0805	0 C 402	59.60.2257	220p		CER 50V, 5%, COG, 0603
0 C 42	59.60.3337	100n		CER 50V, 10%, X7R, 0805	0 C 403	59.68.0027	47u		EL 6V, 5.0*5.7
0 C 43	59.60.3337	100n		CER 50V, 10%, X7R, 0805	0 C 404	59.05.1221	220p		PP, 1%, 630V
0 C 44	59.60.3337	100n		CER 50V, 10%, X7R, 0805	0 C 405	59.60.3317	2n2		CER 50V, 10%, X7R, 0805
0 C 45	59.68.0107	4u7		EL 35V, 4.0*5.7	0 C 406	59.68.0073	220u		EL 16V, 8.0*10.7
0 C 46	59.68.0111	22u		EL 35V, 6.3*5.7	0 C 407	59.60.2233	22p		CER 50V, 5%, COG, 0603
0 C 47	59.60.3337	100n		CER 50V, 10%, X7R, 0805	0 C 408	59.05.1221	220p		PP, 1%, 630V
0 C 48	59.60.3337	100n		CER 50V, 10%, X7R, 0805	0 C 409	59.60.2233	22p		CER 50V, 5%, COG, 0603
0 C 49	59.60.3337	100n		CER 50V, 10%, X7R, 0805	0 C 410	59.68.0067	22u		EL 16V, 5.0*5.7
0 C 50	59.60.3337	100n		CER 50V, 10%, X7R, 0805	0 C 411	59.60.3337	100n		CER 50V, 10%, X7R, 0805
0 C 51	59.60.3337	100n		CER 50V, 10%, X7R, 0805	0 C 412	59.60.3315	1n5		CER 50V, 10%, X7R, 0805
0 C 101	59.60.2257	220p		CER 50V, 5%, COG, 0603	0 C 413	59.60.2257	220p		CER 50V, 5%, COG, 0603
0 C 102	59.60.2257	220p		CER 50V, 5%, COG, 0603	0 C 414	59.60.3337	100n		CER 50V, 10%, X7R, 0805
0 C 103	59.68.0027	47u		EL 6V, 5.0*5.7	0 C 415	59.60.3337	100n		CER 50V, 10%, X7R, 0805
0 C 104	59.05.1221	220p		PP, 1%, 630V	0 C 416	59.60.3337	100n		CER 50V, 10%, X7R, 0805
0 C 105	59.60.3317	2n2		CER 50V, 10%, X7R, 0805	0 C 417	59.60.3337	100n		CER 50V, 10%, X7R, 0805
0 C 106	59.68.0073	220u		EL 16V, 8.0*10.7	0 D 1	50.60.8001	4448		200mA 75V 4ns SOD 80
0 C 107	59.60.2233	22p		CER 50V, 5%, COG, 0603	0 D 2	not used	BAS85		200mA 30V Schottky SOD 80
0 C 108	59.05.1221	220p		PP, 1%, 630V	0 D 3	not used	BAS85		200mA 30V Schottky SOD 80
0 C 109	59.60.2233	22p		CER 50V, 5%, COG, 0603	0 D 4	50.60.8001	4448		200mA 75V 4ns SOD 80
0 C 110	59.68.0067	22u		EL 16V, 5.0*5.7	0 D 5	50.60.8101	BAS85		200mA 30V Schottky SOD 80
0 C 111	59.60.3337	100n		CER 50V, 10%, X7R, 0805	0 D 6	50.60.8101	BAS85		200mA 30V Schottky SOD 80
0 C 112	59.60.3315	1n5		CER 50V, 10%, X7R, 0805	0 DL 1	50.04.2200	HLMP1700		DL HLMP - 1700 RT
0 C 113	59.60.2257	220p		CER 50V, 5%, COG, 0603	0 DL 2	50.04.2200	HLMP1700		DL HLMP - 1700 RT
0 C 114	59.60.3337	100n		CER 50V, 10%, X7R, 0805	0 DL 3	not used	HLMP1700		DL HLMP - 1700 RT
0 C 115	59.60.3337	100n		CER 50V, 10%, X7R, 0805	0 DL 4	not used	HLMP1700		DL HLMP - 1700 RT
0 C 116	59.60.3337	100n		CER 50V, 10%, X7R, 0805	0 DL 5	50.04.2200	HLMP1700		DL HLMP - 1700 RT
0 C 117	59.60.3337	100n		CER 50V, 10%, X7R, 0805	0 DL 6	50.04.2200	HLMP1700		DL HLMP - 1700 RT
0 C 118	59.60.3337	100n		CER 50V, 10%, X7R, 0805	0 DL 7	not used	HLMP1719		DL HLMP - 1719 GB
0 C 119	59.60.3337	100n		CER 50V, 10%, X7R, 0805	0 DL 8	not used	HLMP1790		DL HLMP - 1790 GN
0 C 120	59.68.0067	22u		EL 16V, 5.0*5.7	0 DL 9	50.04.2202	HLMP1790		DL HLMP - 1790 GN
0 C 121	59.68.0065	10u		EL 16V, 4.0*5.7	0 DL 10	50.04.2202	HLMP1790		DL HLMP - 1790 GN
0 C 122	59.60.3337	100n		CER 50V, 10%, X7R, 0805	0 DV 1	50.60.9026	24V		5%, 0.2W, SOT 23
0 C 123	59.60.3337	100n		CER 50V, 10%, X7R, 0805	2 DV 2	50.04.1108	5V6		Zener, 5%, 0.5W, DO-35
0 C 124	59.60.3441	220n		CER 50V, 10%, X7R, 1206	0 IC 1	50.62.1423	74HC423		Dual multivibr monost retrigg
0 C 125	59.68.0065	10u		EL 16V, 4.0*5.7	0 IC 2	50.62.0913	CS8412		AES-Receiver
0 C 126	59.60.3337	100n		CER 50V, 10%, X7R, 0805	0 IC 3	50.62.1904	74HCU04		Hex inverter unbuffered
0 C 127	59.60.3337	100n		CER 50V, 10%, X7R, 0805	0 IC 4	50.15.0127	34C87		IC DS 34 C 87 TN, MC34C87P, A
0 C 128	59.68.0065	10u		EL 16V, 4.0*5.7	0 IC 5	50.15.0127	34C87		IC DS 34 C 87 TN, MC34C87P, A
0 C 129	59.60.3441	220n		CER 50V, 10%, X7R, 1206	0 IC 6	50.62.1153	74HC153		Dual 4ch multiplexer
0 C 201	59.60.2257	220p		CER 50V, 5%, COG, 0603	0 IC 7	50.15.0128	34C86		IC DS 34 C 86 TN, MC34C86P, A
0 C 202	59.60.2257	220p		CER 50V, 5%, COG, 0603	0 IC 8	not used	LM393		Dual voltage comp. SO 8
0 C 203	59.68.0027	47u		EL 6V, 5.0*5.7	0 IC 9	50.10.0104	LM317SP		Series regulator 1.5A ...+37V
0 C 204	59.05.1221	220p		PP, 1%, 630V	0 IC 10	not used	56004		DSP 56 004 40MHz
0 C 205	59.60.3317	2n2		CER 50V, 10%, X7R, 0805	0 IC 11	50.06.0595	74LS595		SN 74 LS 595 N
0 C 206	59.68.0073	220u		EL 16V, 8.0*10.7	0 IC 12	50.06.0595	74LS595		SN 74 LS 595 N
0 C 207	59.60.2233	22p		CER 50V, 5%, COG, 0603	0 IC 13	not used	29F010		Flash Memory 128K*8

C4AD/24, 24 Bit A/D 1.940.562.20 (2)

Idx. Pos.	Part No.	Qty.	Type/Val.	Description	Idx. Pos.	Part No.	Qty.	Type/Val.	Description
0	IC 14	1	940.949.20		0	R 14	57.60.1270	27R	MF, 1%, 0204, E24
0	IC 15	50.62.6014	74ACT 14	Hex inverting Schmitt trigger	0	R 15	57.60.1270	27R	MF, 1%, 0204, E24
0	IC 16	50.14.1009	7C128A	SRAM 2K*8 35ns	0	R 16	57.92.7053	1.6A	PTC 30V
0	IC 17	1.940.948.20		SW 562 ADCBIT 24 (50.63.1303)	0	R 17	57.60.1102	1k0	MF, 1%, 0204, E24
0	IC 101	50.61.0204	MC33078	Dual Op-Amp low noise	0	R 18	57.60.1102	1k0	MF, 1%, 0204, E24
0	IC 102	50.61.0204	MC33078	Dual Op-Amp low noise	0	R 19	57.60.1103	10k	MF, 1%, 0204, E24
0	IC 103	50.61.0204	MC33078	Dual Op-Amp low noise	0	R 20	57.60.1105	1M	MF, 1%, 0204, E24
0	IC 104	50.61.8105	AK5392	A/D Converter 24bit DS SOP28	0	R 21	57.60.1333	33k	MF, 1%, 0204, E24
0	IC 201	50.61.0204	MC33078	Dual Op-Amp low noise	0	R 22	57.60.1222	2k2	MF, 1%, 0204, E24
0	IC 202	50.61.0204	MC33078	Dual Op-Amp low noise	0	R 23	57.60.1103	10k	MF, 1%, 0204, E24
0	IC 301	50.61.0204	MC33078	Dual Op-Amp low noise	0	R 24	57.60.1220	22R	MF, 1%, 0204, E24
0	IC 302	50.61.0204	MC33078	Dual Op-Amp low noise	0	R 25	57.60.1270	27R	MF, 1%, 0204, E24
0	IC 303	50.61.0204	MC33078	Dual Op-Amp low noise	0	R 26	57.60.1220	22R	MF, 1%, 0204, E24
0	IC 304	50.61.8105	AK5392	A/D Converter 24bit DS SOP28	0	R 27	57.60.1270	27R	MF, 1%, 0204, E24
0	IC 401	50.61.0204	MC33078	Dual Op-Amp low noise	0	R 28	57.60.1000	0R0	MF, 0204
0	IC 402	50.61.0204	MC33078	Dual Op-Amp low noise	0	R 29	57.60.1000	0R0	MF, 0204
0	J 1	54.11.2009	96p	EU-R 3*32p	0	R 30	not used	10k	MF, 1%, 0204, E24
0	J 2	not used	Jumper	0.63*0.63mm, Au	0	R 31	57.60.1103	10k	MF, 1%, 0204, E24
0	J 3	54.01.0021	Jumper	0.63*0.63mm, Au	0	R 32	57.60.1333	33k	MF, 1%, 0204, E24
0	J 4	not used	Jumper	0.63*0.63mm, Au	0	R 33	57.60.1333	33k	MF, 1%, 0204, E24
0	J 5	54.01.0021	Jumper	0.63*0.63mm, Au	0	R 34	57.60.1221	220R	MF, 1%, 0204, E24
0	J 6	54.01.0021	Jumper	0.63*0.63mm, Au	0	R 35	57.60.1221	220R	MF, 1%, 0204, E24
0	J 101	54.01.0021	Jumper	0.63*0.63mm, Au	0	R 36	57.60.1103	10k	MF, 1%, 0204, E24
0	J 201	54.01.0021	Jumper	0.63*0.63mm, Au	0	R 37	not used	1k0	MF, 1%, 0204, E24
0	J 301	54.01.0021	Jumper	0.63*0.63mm, Au	0	R 38	not used	560R	MF, 1%, 0204, E24
0	J 401	54.01.0021	Jumper	0.63*0.63mm, Au	0	R 39	not used	10k	MF, 1%, 0204, E24
0	L 1	62.03.0010	48uH	2A Toroid Chocke	0	R 40	not used	10k	MF, 1%, 0204, E24
0	L 2	62.03.0010	48uH	2A Toroid Chocke	0	R 41	57.60.1103	10k	MF, 1%, 0204, E24
0	MP 1	1.940.562.11		D19M 24 BIT AD BOARD PCB	0	R 42	not used	10k	MF, 1%, 0204, E24
0	MP 2	1.940.562.04		TYPENSCHILD	0	R 43	not used	220R	MF, 1%, 0204, E24
0	MP 3	43.01.0108	Label	ESE-WARNschild	0	R 44	not used	22k	MF, 1%, 0204, E24
0	MP 4	1.101.001.20	Label	TEXT-ETIK 5*20 HARDWARE -20	0	R 45	not used	10k	MF, 1%, 0204, E24
2	MP 7	50.04.1108	5V6	Zener, 5%, 0.5W, DO-35	0	R 46	not used	1M	MF, 1%, 0204, E24
0	MP 10	1.940.562.01	1 pce	FRONTPLATTE C4AD 24BIT	0	R 47	57.60.1102	1k0	MF, 1%, 0204, E24
0	MP 11	1.940.600.04	1 pce	GRIFFEINLAGE 4TE	0	R 48	57.60.1302	3k0	MF, 1%, 0204, E24
0	MP 12	49.02.0520	2 pcs	M2.5*12 Rändelschraube (Rack)	0	R 49	not used	1k0	MF, 1%, 0204, E24
0	MP 13	49.02.0521	2 pcs	Metall-Buchse (Rack)	0	R 50	57.60.1220	22R	MF, 1%, 0204, E24
0	MP 14	49.02.0522	2 pcs	Kartenhalter mit Z-Schr	0	R 51	57.60.1104	100k	MF, 1%, 0204, E24
0	MP 15	49.02.0523	1 pce	M2.5*7 Senk-Schr, KS, Senkripp	0	R 52	57.60.1105	1M	MF, 1%, 0204, E24
0	MP 16	49.02.0504	1 pce	4TE Frontplatten-Griff	0	R 53	57.60.1102	1k0	MF, 1%, 0204, E24
1	MP 17	not used	2 pcs	M2.5*6 Z-Schraube Inbus Zn gb chr	0	R 54	57.60.1821	820R	MF, 1%, 0204, E24
				<i>Schraube ist in MP14 (49.02.0522 Kartenhalter) enthalten</i>	0	R 55	57.60.1000	0R0	MF, 0204
				M2.5*16 Z-Schraube Inbus Zn gb chr	0	R 56	57.92.7019	0.4A	PTC 60V
0	MP 18	21.53.0284	1 pce	ROHRNIETE D 2.5*0.15* 9	0	R 57	57.92.7019	0.4A	PTC 60V
0	MP 19	28.99.0119	2 pcs	Kühlkörper, TO 220, horizontal	0	R 58	57.60.1103	10k	MF, 1%, 0204, E24
0	MP 20	50.20.3004		Revisions-Etikette 5mm h/blau	0	R 59	57.60.1103	10k	MF, 1%, 0204, E24
2	MP 21	43.10.0110	A	Pin, 1reihig, gerade	0	R 60	57.60.1683	68k	MF, 1%, 0204, E24
0	P 1	not used	1p	Pin, 1reihig, gerade	0	R 61	57.60.1562	5k6	MF, 1%, 0204, E24
0	P 2	not used	1p	Pin, 1reihig, gerade	0	R 62	57.60.1103	10k	MF, 1%, 0204, E24
0	P 3	not used	1p	Pin, 1reihig, gerade	0	R 63	57.60.1475	4M7	MF, 1%, 0204, E24
0	P 4	not used	1p	Pin, 1reihig, gerade	0	R 64	57.60.1475	4M7	MF, 1%, 0204, E24
0	P 5	not used	1p	Pin, 1reihig, gerade	0	R 65	57.60.1106	10M	MF, 1%, 0204, E24
0	P 6	not used	1p	Pin, 1reihig, gerade	0	R 101	57.60.1152	1k5	MF, 1%, 0204, E24
0	P 7	not used	1p	Pin, 1reihig, gerade	0	R 102	57.60.1272	2k7	MF, 1%, 0204, E24
0	P 8	not used	1p	Pin, 1reihig, gerade	0	R 103	57.60.1122	1k2	MF, 1%, 0204, E24
0	P 9	not used	1p	Pin, 1reihig, gerade	0	R 104	57.60.1272	2k7	MF, 1%, 0204, E24
0	P 10	not used	1p	Pin, 1reihig, gerade	0	R 105	57.60.1821	820R	MF, 1%, 0204, E24
0	P 11	not used	1p	Pin, 1reihig, gerade	0	R 106	57.60.1472	4k7	MF, 1%, 0204, E24
0	P 12	not used	1p	Pin, 1reihig, gerade	0	R 107	57.60.1332	3k3	MF, 1%, 0204, E24
0	P 13	54.01.0020	1p	Pin, 1reihig, gerade	0	R 108	57.60.1222	2k2	MF, 1%, 0204, E24
0	P 14	54.01.0020	1p	Pin, 1reihig, gerade	0	R 109	57.60.1510	51R	MF, 1%, 0204, E24
0	P 15	54.01.0020	1p	Pin, 1reihig, gerade	0	R 110	57.60.1331	330R	MF, 1%, 0204, E24
0	P 16	not used	1p	Pin, 1reihig, gerade	0	R 111	57.60.1681	680R	MF, 1%, 0204, E24
0	P 17	not used	1p	Pin, 1reihig, gerade	0	R 112	57.60.1332	3k3	MF, 1%, 0204, E24
0	P 18	not used	1p	Pin, 1reihig, gerade	0	R 113	57.60.1103	10k	MF, 1%, 0204, E24
0	P 19	54.11.0136	2*3p	Pin 0.63*0.63, RM2.54	0	R 114	57.60.1102	1k0	MF, 1%, 0204, E24
0	P 101	54.11.0136	2*3p	Pin 0.63*0.63, RM2.54	0	R 115	57.60.1333	33k	MF, 1%, 0204, E24
0	P 201	54.11.0136	2*3p	Pin 0.63*0.63, RM2.54	0	R 116	57.60.1152	1k5	MF, 1%, 0204, E24
0	P 301	54.11.0136	2*3p	Pin 0.63*0.63, RM2.54	0	R 117	57.60.1103	10k	MF, 1%, 0204, E24
0	P 401	54.11.0136	2*3p	Pin 0.63*0.63, RM2.54	0	R 118	57.60.1332	3k3	MF, 1%, 0204, E24
0	Q 1	50.60.0001	BC847B	NPN 45V 100mA SOT 23	0	R 119	57.60.1332	3k3	MF, 1%, 0204, E24
0	Q 2	50.60.0001	BC847B	NPN 45V 100mA SOT 23	0	R 120	57.60.1222	2k2	MF, 1%, 0204, E24
0	Q 3	not used	BC847B	NPN 45V 100mA SOT 23	0	R 121	57.60.1392	3k9	MF, 1%, 0204, E24
0	Q 4	50.60.0001	BC847B	NPN 45V 100mA SOT 23	0	R 122	57.60.1472	4k7	MF, 1%, 0204, E24
0	Q 5	50.60.1001	BC857B	PNP 45V 100mA SOT 23	0	R 123	57.60.1510	51R	MF, 1%, 0204, E24
0	R 1	57.60.1102	1k0	MF, 1%, 0204, E24	0	R 124	57.60.1103	10k	MF, 1%, 0204, E24
0	R 2	57.60.1472	4k7	MF, 1%, 0204, E24	0	R 125	57.60.1229	2R2	MF, 1%, 0204, E24
0	R 3	57.60.1333	33k	MF, 1%, 0204, E24	0	R 201	57.60.1152	1k5	MF, 1%, 0204, E24
0	R 4	57.60.1333	33k	MF, 1%, 0204, E24	0	R 202	57.60.1272	2k7	MF, 1%, 0204, E24
0	R 5	57.60.1333	33k	MF, 1%, 0204, E24	0	R 203	57.60.1122	1k2	MF, 1%, 0204, E24
0	R 6	57.60.1220	22R	MF, 1%, 0204, E24	0	R 204	57.60.1272	2k7	MF, 1%, 0204, E24
0	R 7	57.60.1102	1k0	MF, 1%, 0204, E24	0	R 205	57.60.1821	820R	MF, 1%, 0204, E24
0	R 8	57.60.1102	1k0	MF, 1%, 0204, E24	0	R 206	57.60.1472	4k7	MF, 1%, 0204, E24
0	R 9	57.60.1220	22R	MF, 1%, 0204, E24	0	R 207	57.60.1332	3k3	MF, 1%, 0204, E24
0	R 10	57.60.1823	82k	MF, 1%, 0204, E24	0	R 208	57.60.1222	2k2	MF, 1%, 0204, E24
0	R 11	57.60.1105	1M	MF, 1%, 0204, E24	0	R 209	57.60.1510	51R	MF, 1%, 0204, E24
0	R 12	57.60.1222	2k2	MF, 1%, 0204, E24	0	R 210	57.60.1331	330R	MF, 1%, 0204, E24
0	R 13	57.60.1220	22R	MF, 1%, 0204, E24					

C4AD/24, 24 Bit A/D 1.940.562.20 (2)

Idx. Pos.	Part No.	Qty.	Type/Val.	Description	Idx. Pos.	Part No.	Qty.	Type/Val.	Description
0	R 211	57.60.1681	680R	MF, 1%, 0204, E24	0	XDL 7	not used	Spacer	LED-Sockel
0	R 212	57.60.1332	3k3	MF, 1%, 0204, E24	0	XDL 9	50.20.2501	Spacer	LED-Sockel
0	R 213	57.60.1103	10k	MF, 1%, 0204, E24	0	XDL 10	50.20.2501	Spacer	LED-Sockel
0	R 214	57.60.1102	1k0	MF, 1%, 0204, E24	0	XIC 4	53.03.0168	16p	DIL 0.3", lötl, gerade
0	R 215	57.60.1333	33k	MF, 1%, 0204, E24	0	XIC 5	53.03.0168	16p	DIL 0.3", lötl, gerade
0	R 216	57.60.1152	1k5	MF, 1%, 0204, E24	0	XIC 13	not used	32p	PLCC-Socket
0	R 217	57.60.1103	10k	MF, 1%, 0204, E24	0	XIC 14	53.03.2284	84p	PLCC-Socket
0	R 218	57.60.1332	3k3	MF, 1%, 0204, E24	0	XIC 17	53.03.2232	32p	PLCC-Socket
0	R 219	57.60.1332	3k3	MF, 1%, 0204, E24	0	XT 101	1.022.400.03		ISOLATION
0	R 220	57.60.1222	2k2	MF, 1%, 0204, E24	0	XT 201	1.022.400.03		ISOLATION
0	R 221	57.60.1392	3k9	MF, 1%, 0204, E24	0	XT 301	1.022.400.03		ISOLATION
0	R 222	57.60.1472	4k7	MF, 1%, 0204, E24	0	XT 401	1.022.400.03		ISOLATION
0	R 223	57.60.1510	51R	MF, 1%, 0204, E24	0	XY 1	89.01.1499		QUARZ - ISOLIERPLATTE
0	R 301	57.60.1152	1k5	MF, 1%, 0204, E24	0	XY 2	89.01.1499		QUARZ - ISOLIERPLATTE
0	R 302	57.60.1272	2k7	MF, 1%, 0204, E24	0	Y 1	89.01.0559	11.289MHz	XTAL
0	R 303	57.60.1122	1k2	MF, 1%, 0204, E24	0	Y 2	89.01.1015	12.288MHz	XTAL HC 49/U
0	R 304	57.60.1272	2k7	MF, 1%, 0204, E24					
0	R 305	57.60.1821	820R	MF, 1%, 0204, E24					
0	R 306	57.60.1472	4k7	MF, 1%, 0204, E24					
0	R 307	57.60.1332	3k3	MF, 1%, 0204, E24					
0	R 308	57.60.1222	2k2	MF, 1%, 0204, E24					
0	R 309	57.60.1510	51R	MF, 1%, 0204, E24					
0	R 310	57.60.1331	330R	MF, 1%, 0204, E24					
0	R 311	57.60.1681	680R	MF, 1%, 0204, E24					
0	R 312	57.60.1332	3k3	MF, 1%, 0204, E24					
0	R 313	57.60.1103	10k	MF, 1%, 0204, E24					
0	R 314	57.60.1102	1k0	MF, 1%, 0204, E24					
0	R 315	57.60.1333	33k	MF, 1%, 0204, E24					
0	R 316	57.60.1152	1k5	MF, 1%, 0204, E24					
0	R 317	57.60.1103	10k	MF, 1%, 0204, E24					
0	R 318	57.60.1332	3k3	MF, 1%, 0204, E24					
0	R 319	57.60.1332	3k3	MF, 1%, 0204, E24					
0	R 320	57.60.1222	2k2	MF, 1%, 0204, E24					
0	R 321	57.60.1392	3k9	MF, 1%, 0204, E24					
0	R 322	57.60.1472	4k7	MF, 1%, 0204, E24					
0	R 323	57.60.1510	51R	MF, 1%, 0204, E24					
0	R 324	57.60.1229	2R2	MF, 1%, 0204, E24					
0	R 325	57.60.1103	10k	MF, 1%, 0204, E24					
0	R 401	57.60.1152	1k5	MF, 1%, 0204, E24					
0	R 402	57.60.1272	2k7	MF, 1%, 0204, E24					
0	R 403	57.60.1122	1k2	MF, 1%, 0204, E24					
0	R 404	57.60.1272	2k7	MF, 1%, 0204, E24					
0	R 405	57.60.1821	820R	MF, 1%, 0204, E24					
0	R 406	57.60.1472	4k7	MF, 1%, 0204, E24					
0	R 407	57.60.1332	3k3	MF, 1%, 0204, E24					
0	R 408	57.60.1222	2k2	MF, 1%, 0204, E24					
0	R 409	57.60.1510	51R	MF, 1%, 0204, E24					
0	R 410	57.60.1331	330R	MF, 1%, 0204, E24					
0	R 411	57.60.1681	680R	MF, 1%, 0204, E24					
0	R 412	57.60.1332	3k3	MF, 1%, 0204, E24					
0	R 413	57.60.1103	10k	MF, 1%, 0204, E24					
0	R 414	57.60.1102	1k0	MF, 1%, 0204, E24					
0	R 415	57.60.1333	33k	MF, 1%, 0204, E24					
0	R 416	57.60.1152	1k5	MF, 1%, 0204, E24					
0	R 417	57.60.1103	10k	MF, 1%, 0204, E24					
0	R 418	57.60.1332	3k3	MF, 1%, 0204, E24					
0	R 419	57.60.1332	3k3	MF, 1%, 0204, E24					
0	R 420	57.60.1222	2k2	MF, 1%, 0204, E24					
0	R 421	57.60.1392	3k9	MF, 1%, 0204, E24					
0	R 422	57.60.1472	4k7	MF, 1%, 0204, E24					
0	R 423	57.60.1510	51R	MF, 1%, 0204, E24					
0	RA 101	58.05.1201	200R	10%, 0.5W, Cermet					
0	RA 102	58.05.1202	2k0	10%, 0.5W, Cermet					
0	RA 201	58.05.1201	200R	10%, 0.5W, Cermet					
0	RA 202	58.05.1202	2k0	10%, 0.5W, Cermet					
0	RA 301	58.05.1201	200R	10%, 0.5W, Cermet					
0	RA 302	58.05.1202	2k0	10%, 0.5W, Cermet					
0	RA 401	58.05.1201	200R	10%, 0.5W, Cermet					
0	RA 402	58.05.1202	2k0	10%, 0.5W, Cermet					
0	RZ 1	not used	10k	8*R Resistor-Netz 2% SIP9					
0	RZ 2	not used	10k	8*R Resistor-Netz 2% SIP9					
0	RZ 3	57.88.4103	10k	8*R Resistor-Netz 2% SIP9					
0	S 1	not used	SPDT	Toggle 1 * on-none-on					
0	S 2	55.11.0202	SPDT	Toggle 1 * on-none-on					
0	T 1	1.022.647.00	1:1.4	OUTPUT TRAF0 AES/EBU					
0	T 2	1.022.647.00	1:1.4	OUTPUT TRAF0 AES/EBU					
0	T 3	1.022.647.00	1:1.4	OUTPUT TRAF0 AES/EBU					
0	T 4	1.022.647.00	1:1.4	OUTPUT TRAF0 AES/EBU					
0	T 5	1.022.632.00	1:1	DI/DO TRANSFORMER					
0	T 101	1.022.454.00	1:0.175	EINGANGSTRAFO 1:0,175					
0	T 201	1.022.454.00	1:0.175	EINGANGSTRAFO 1:0,175					
0	T 301	1.022.454.00	1:0.175	EINGANGSTRAFO 1:0,175					
0	T 401	1.022.454.00	1:0.175	EINGANGSTRAFO 1:0,175					
0	TP 1	54.33.6010	2.8*0.8	PCB-Flachstecker, gerade					
0	XDL 1	50.20.2501	Spacer	LED-Sockel					
0	XDL 3	not used	Spacer	LED-Sockel					
0	XDL 5	50.20.2501	Spacer	LED-Sockel					

End of List

- (1) 12.04.00 MP 17 not used
- (2) 13.11.2000 Additionally D7 and MP21

C4AD/24/NS, 24 Bit A/D 1.940.563.20 (2)

Idx. Pos.	Part No.	Qty.	Type/Val.	Description	Idx. Pos.	Part No.	Qty.	Type/Val.	Description
0 C 1	59.60.3337	100n		CER 50V, 10%, X7R, 0805	0 C 208	59.05.1221	220p		PP, 1%, 630V
0 C 2	59.60.3325	10n		CER 50V, 10%, X7R, 0805	0 C 209	59.60.2233	22p		CER 50V, 5%, COG, 0603
0 C 3	59.60.3337	100n		CER 50V, 10%, X7R, 0805	0 C 210	59.68.0067	22u		EL 16V, 5.0*5.7
0 C 4	59.60.3337	100n		CER 50V, 10%, X7R, 0805	0 C 211	59.60.3337	100n		CER 50V, 10%, X7R, 0805
0 C 5	59.60.3337	100n		CER 50V, 10%, X7R, 0805	0 C 212	59.60.3315	1n5		CER 50V, 10%, X7R, 0805
0 C 6	59.60.3325	10n		CER 50V, 10%, X7R, 0805	0 C 213	59.60.2257	220p		CER 50V, 5%, COG, 0603
0 C 7	59.60.3333	47n		CER 50V, 10%, X7R, 0805	0 C 214	59.60.3337	100n		CER 50V, 10%, X7R, 0805
0 C 8	59.68.0111	22u		EL 35V, 6.3*5.7	0 C 215	59.60.3337	100n		CER 50V, 10%, X7R, 0805
0 C 9	59.60.3325	10n		CER 50V, 10%, X7R, 0805	0 C 216	59.60.3337	100n		CER 50V, 10%, X7R, 0805
0 C 10	59.60.3337	100n		CER 50V, 10%, X7R, 0805	0 C 217	59.60.3337	100n		CER 50V, 10%, X7R, 0805
0 C 11	59.60.2237	33p		CER 50V, 5%, COG, 0603	0 C 301	59.60.2257	220p		CER 50V, 5%, COG, 0603
0 C 12	59.60.3337	100n		CER 50V, 10%, X7R, 0805	0 C 302	59.60.2257	220p		CER 50V, 5%, COG, 0603
0 C 13	59.60.2237	33p		CER 50V, 5%, COG, 0603	0 C 303	59.68.0027	47u		EL 6V, 5.0*5.7
0 C 14	59.60.3337	100n		CER 50V, 10%, X7R, 0805	0 C 304	59.05.1221	220p		PP, 1%, 630V
0 C 15	59.60.2249	100p		CER 50V, 5%, COG, 0603	0 C 305	59.60.3317	2n2		CER 50V, 10%, X7R, 0805
0 C 16	59.60.3337	100n		CER 50V, 10%, X7R, 0805	0 C 306	59.68.0073	220u		EL 16V, 8.0*10.7
0 C 17	59.60.2249	100p		CER 50V, 5%, COG, 0603	0 C 307	59.60.2233	22p		CER 50V, 5%, COG, 0603
0 C 18	59.60.3337	100n		CER 50V, 10%, X7R, 0805	0 C 308	59.05.1221	220p		PP, 1%, 630V
0 C 19	59.68.0067	22u		EL 16V, 5.0*5.7	0 C 309	59.60.2233	22p		CER 50V, 5%, COG, 0603
0 C 20	59.68.0111	22u		EL 35V, 6.3*5.7	0 C 310	59.68.0067	22u		EL 16V, 5.0*5.7
0 C 21	59.60.2237	33p		CER 50V, 5%, COG, 0603	0 C 311	59.60.3337	100n		CER 50V, 10%, X7R, 0805
0 C 22	59.60.2237	33p		CER 50V, 5%, COG, 0603	0 C 312	59.60.3315	1n5		CER 50V, 10%, X7R, 0805
0 C 23	59.60.3337	100n		CER 50V, 10%, X7R, 0805	0 C 313	59.60.2257	220p		CER 50V, 5%, COG, 0603
0 C 24	59.60.2249	100p		CER 50V, 5%, COG, 0603	0 C 314	59.60.3337	100n		CER 50V, 10%, X7R, 0805
0 C 25	59.60.3337	100n		CER 50V, 10%, X7R, 0805	0 C 315	59.60.3337	100n		CER 50V, 10%, X7R, 0805
0 C 26	59.60.2249	100p		CER 50V, 5%, COG, 0603	0 C 316	59.60.3337	100n		CER 50V, 10%, X7R, 0805
0 C 27	59.60.3337	100n		CER 50V, 10%, X7R, 0805	0 C 317	59.60.3337	100n		CER 50V, 10%, X7R, 0805
0 C 28	59.60.3337	100n		CER 50V, 10%, X7R, 0805	0 C 318	59.60.3337	100n		CER 50V, 10%, X7R, 0805
0 C 29	59.60.3337	100n		CER 50V, 10%, X7R, 0805	0 C 319	59.60.3337	100n		CER 50V, 10%, X7R, 0805
0 C 30	59.60.3337	100n		CER 50V, 10%, X7R, 0805	0 C 320	59.68.0067	22u		EL 16V, 5.0*5.7
0 C 31	59.60.3337	100n		CER 50V, 10%, X7R, 0805	0 C 321	59.68.0065	10u		EL 16V, 4.0*5.7
0 C 32	59.60.3337	100n		CER 50V, 10%, X7R, 0805	0 C 322	59.60.3337	100n		CER 50V, 10%, X7R, 0805
0 C 33	59.68.0111	22u		EL 35V, 6.3*5.7	0 C 323	59.60.3337	100n		CER 50V, 10%, X7R, 0805
0 C 34	59.68.0067	22u		EL 16V, 5.0*5.7	0 C 324	59.60.3441	220n		CER 50V, 10%, X7R, 1206
0 C 35	59.68.0065	10u		EL 16V, 4.0*5.7	0 C 325	59.68.0065	10u		EL 16V, 4.0*5.7
0 C 36	59.60.3337	100n		CER 50V, 10%, X7R, 0805	0 C 326	59.60.3337	100n		CER 50V, 10%, X7R, 0805
0 C 37	59.60.3845	470n		CER 50V, 10%, X7R, 2220	0 C 327	59.60.3337	100n		CER 50V, 10%, X7R, 0805
0 C 38	59.68.0067	22u		EL 16V, 5.0*5.7	0 C 328	59.68.0065	10u		EL 16V, 4.0*5.7
0 C 39	59.60.3337	100n		CER 50V, 10%, X7R, 0805	0 C 329	59.60.3441	220n		CER 50V, 10%, X7R, 1206
0 C 40	59.60.3337	100n		CER 50V, 10%, X7R, 0805	0 C 401	59.60.2257	220p		CER 50V, 5%, COG, 0603
0 C 41	59.60.3337	100n		CER 50V, 10%, X7R, 0805	0 C 402	59.60.2257	220p		CER 50V, 5%, COG, 0603
0 C 42	59.60.3337	100n		CER 50V, 10%, X7R, 0805	0 C 403	59.68.0027	47u		EL 6V, 5.0*5.7
0 C 43	59.60.3337	100n		CER 50V, 10%, X7R, 0805	0 C 404	59.05.1221	220p		PP, 1%, 630V
0 C 44	59.60.3337	100n		CER 50V, 10%, X7R, 0805	0 C 405	59.60.3317	2n2		CER 50V, 10%, X7R, 0805
0 C 45	59.68.0107	4u7		EL 35V, 4.0*5.7	0 C 406	59.68.0073	220u		EL 16V, 8.0*10.7
0 C 46	59.68.0111	22u		EL 35V, 6.3*5.7	0 C 407	59.60.2233	22p		CER 50V, 5%, COG, 0603
0 C 47	59.60.3337	100n		CER 50V, 10%, X7R, 0805	0 C 408	59.05.1221	220p		PP, 1%, 630V
0 C 48	59.60.3337	100n		CER 50V, 10%, X7R, 0805	0 C 409	59.60.2233	22p		CER 50V, 5%, COG, 0603
0 C 49	59.60.3337	100n		CER 50V, 10%, X7R, 0805	0 C 410	59.68.0067	22u		EL 16V, 5.0*5.7
0 C 50	59.60.3337	100n		CER 50V, 10%, X7R, 0805	0 C 411	59.60.3337	100n		CER 50V, 10%, X7R, 0805
0 C 51	59.60.3337	100n		CER 50V, 10%, X7R, 0805	0 C 412	59.60.3315	1n5		CER 50V, 10%, X7R, 0805
0 C 101	59.60.2257	220p		CER 50V, 5%, COG, 0603	0 C 413	59.60.2257	220p		CER 50V, 5%, COG, 0603
0 C 102	59.60.2257	220p		CER 50V, 5%, COG, 0603	0 C 414	59.60.3337	100n		CER 50V, 10%, X7R, 0805
0 C 103	59.68.0027	47u		EL 6V, 5.0*5.7	0 C 415	59.60.3337	100n		CER 50V, 10%, X7R, 0805
0 C 104	59.05.1221	220p		PP, 1%, 630V	0 C 416	59.60.3337	100n		CER 50V, 10%, X7R, 0805
0 C 105	59.60.3317	2n2		CER 50V, 10%, X7R, 0805	0 C 417	59.60.3337	100n		CER 50V, 10%, X7R, 0805
0 C 106	59.68.0073	220u		EL 16V, 8.0*10.7	0 D 1	50.60.8001	4448		200mA 75V 4ns SOD 80
0 C 107	59.60.2233	22p		CER 50V, 5%, COG, 0603	0 D 2	50.60.8101	BAS85		200mA 30V Schottky SOD 80
0 C 108	59.05.1221	220p		PP, 1%, 630V	0 D 3	50.60.8101	BAS85		200mA 30V Schottky SOD 80
0 C 109	59.60.2233	22p		CER 50V, 5%, COG, 0603	0 D 4	50.60.8001	4448		200mA 75V 4ns SOD 80
0 C 110	59.68.0067	22u		EL 16V, 5.0*5.7	0 D 5	50.60.8101	BAS85		200mA 30V Schottky SOD 80
0 C 111	59.60.3337	100n		CER 50V, 10%, X7R, 0805	0 D 6	50.60.8101	BAS85		200mA 30V Schottky SOD 80
0 C 112	59.60.3315	1n5		CER 50V, 10%, X7R, 0805	0 DL 1	50.04.2200	HLMP1700		DL HLMP - 1700 RT
0 C 113	59.60.2257	220p		CER 50V, 5%, COG, 0603	0 DL 2	50.04.2200	HLMP1700		DL HLMP - 1700 RT
0 C 114	59.60.3337	100n		CER 50V, 10%, X7R, 0805	0 DL 3	50.04.2200	HLMP1700		DL HLMP - 1700 RT
0 C 115	59.60.3337	100n		CER 50V, 10%, X7R, 0805	0 DL 4	50.04.2200	HLMP1700		DL HLMP - 1700 RT
0 C 116	59.60.3337	100n		CER 50V, 10%, X7R, 0805	0 DL 5	not used	HLMP1700		DL HLMP - 1700 RT
0 C 117	59.60.3337	100n		CER 50V, 10%, X7R, 0805	0 DL 6	not used	HLMP1700		DL HLMP - 1700 RT
0 C 118	59.60.3337	100n		CER 50V, 10%, X7R, 0805	0 DL 7	50.04.2201	HLMP1719		DL HLMP - 1719 GB
0 C 119	59.60.3337	100n		CER 50V, 10%, X7R, 0805	0 DL 8	50.04.2202	HLMP1790		DL HLMP - 1790 GN
0 C 120	59.68.0067	22u		EL 16V, 5.0*5.7	0 DL 9	50.04.2202	HLMP1790		DL HLMP - 1790 GN
0 C 121	59.68.0065	10u		EL 16V, 4.0*5.7	0 DL 10	50.04.2202	HLMP1790		DL HLMP - 1790 GN
0 C 122	59.60.3337	100n		CER 50V, 10%, X7R, 0805	0 DV 1	50.60.9026	24V		5%, 0.2W, SOT 23
0 C 123	59.60.3337	100n		CER 50V, 10%, X7R, 0805	2 DV 2	50.04.1108	5V6		Zener, 5%, 0.5W, DO-35
0 C 124	59.60.3441	220n		CER 50V, 10%, X7R, 1206	0 IC 1	50.62.1423	74HC423		Dual multivibr monost retrigger
0 C 125	59.68.0065	10u		EL 16V, 4.0*5.7	0 IC 2	50.62.0913	CS8412		AES-Receiver
0 C 126	59.60.3337	100n		CER 50V, 10%, X7R, 0805	0 IC 3	50.62.1904	74HCU04		Hex inverter unbuffered
0 C 127	59.60.3337	100n		CER 50V, 10%, X7R, 0805	0 IC 4	50.15.0127	34C87		IC DS 34 C 87 TN, MC34C87P, A
0 C 128	59.68.0065	10u		EL 16V, 4.0*5.7	0 IC 5	50.15.0127	34C87		IC DS 34 C 87 TN, MC34C87P, A
0 C 129	59.60.3441	220n		CER 50V, 10%, X7R, 1206	0 IC 6	50.62.1153	74HC153		Dual 4ch multiplexer
0 C 201	59.60.2257	220p		CER 50V, 5%, COG, 0603	0 IC 7	50.15.0128	34C86		IC DS 34 C 86 TN, MC34C86P, A
0 C 202	59.60.2257	220p		CER 50V, 5%, COG, 0603	0 IC 8	50.61.9001	LM393		Dual voltage comp. SO 8
0 C 203	59.68.0027	47u		EL 6V, 5.0*5.7	0 IC 9	50.10.0104	LM317SP		Series regulator 1.5A, +37V
0 C 204	59.05.1221	220p		PP, 1%, 630V	0 IC 10	50.63.0404	56004		DSP 56 004 40MHz
0 C 205	59.60.3317	2n2		CER 50V, 10%, X7R, 0805	0 IC 11	50.08.0595	74LS595		SN 74 LS 595 N
0 C 206	59.68.0073	220u		EL 16V, 8.0*10.7	0 IC 12	50.06.0595	74LS595		SN 74 LS 595 N
0 C 207	59.60.2233	22p		CER 50V, 5%, COG, 0603	0 IC 13	1.940.978.20			SW 561 Dither+NS (50.63.1303)

C4AD/24/NS, 24 Bit A/D 1.940.563.20 (2)

Idx. Pos.	Part No.	Qty.	Type/Val.	Description	Idx. Pos.	Part No.	Qty.	Type/Val.	Description
0	IC 14	1.940.949.20		SW 562 MICADOR (50.63.4205)	0	R 15	57.60.1270	27R	MF, 1%, 0204, E24
0	IC 15	50.62.6014	74ACT 14	Hex inverting Schmitt trigger	0	R 16	57.92.7053	1.6A	PTC 30V
0	IC 16	50.14.1009	7C128A	SRAM 2K*8 35ns	0	R 17	57.60.1102	1k0	MF, 1%, 0204, E24
0	IC 17	1.940.948.20		SW 562 ADCBIT 24 (50.63.1303)	0	R 18	57.60.1102	1k0	MF, 1%, 0204, E24
0	IC 101	50.61.0204	MC33078	Dual Op-Amp low noise	0	R 19	57.60.1103	10k	MF, 1%, 0204, E24
0	IC 102	50.61.0204	MC33078	Dual Op-Amp low noise	0	R 20	57.60.1105	1M	MF, 1%, 0204, E24
0	IC 103	50.61.0204	MC33078	Dual Op-Amp low noise	0	R 21	57.60.1333	33k	MF, 1%, 0204, E24
0	IC 104	50.61.8105	AK5392	A/D Converter 24bit DS SOP28	0	R 22	57.60.1222	2k2	MF, 1%, 0204, E24
0	IC 201	50.61.0204	MC33078	Dual Op-Amp low noise	0	R 23	57.60.1103	10k	MF, 1%, 0204, E24
0	IC 202	50.61.0204	MC33078	Dual Op-Amp low noise	0	R 24	57.60.1220	22R	MF, 1%, 0204, E24
0	IC 301	50.61.0204	MC33078	Dual Op-Amp low noise	0	R 25	57.60.1270	27R	MF, 1%, 0204, E24
0	IC 302	50.61.0204	MC33078	Dual Op-Amp low noise	0	R 26	57.60.1220	22R	MF, 1%, 0204, E24
0	IC 303	50.61.0204	MC33078	Dual Op-Amp low noise	0	R 27	57.60.1270	27R	MF, 1%, 0204, E24
0	IC 304	50.61.8105	AK5392	A/D Converter 24bit DS SOP28	0	R 28	not used	0R0	MF, 0204
0	IC 401	50.61.0204	MC33078	Dual Op-Amp low noise	0	R 29	not used	0R0	MF, 0204
0	IC 402	50.61.0204	MC33078	Dual Op-Amp low noise	0	R 30	57.60.1103	10k	MF, 1%, 0204, E24
0	J 1	54.11.2009	96p	EU-R 3*32p	0	R 31	57.60.1103	10k	MF, 1%, 0204, E24
0	J 2	54.01.0021	Jumper	0.63*0.63mm, Au	0	R 32	57.60.1333	33k	MF, 1%, 0204, E24
0	J 3	54.01.0021	Jumper	0.63*0.63mm, Au	0	R 33	57.60.1333	33k	MF, 1%, 0204, E24
0	J 4	54.01.0021	Jumper	0.63*0.63mm, Au	0	R 34	57.60.1221	220R	MF, 1%, 0204, E24
0	J 5	54.01.0021	Jumper	0.63*0.63mm, Au	0	R 35	57.60.1221	220R	MF, 1%, 0204, E24
0	J 6	54.01.0021	Jumper	0.63*0.63mm, Au	0	R 36	57.60.1103	10k	MF, 1%, 0204, E24
0	J 101	54.01.0021	Jumper	0.63*0.63mm, Au	0	R 37	57.60.1102	1k0	MF, 1%, 0204, E24
0	J 201	54.01.0021	Jumper	0.63*0.63mm, Au	0	R 38	57.60.1561	560R	MF, 1%, 0204, E24
0	J 301	54.01.0021	Jumper	0.63*0.63mm, Au	0	R 39	57.60.1103	10k	MF, 1%, 0204, E24
0	J 401	54.01.0021	Jumper	0.63*0.63mm, Au	0	R 40	57.60.1103	10k	MF, 1%, 0204, E24
0	L 1	62.03.0010	48uH	2A Toroid Chocke	0	R 41	57.60.1103	10k	MF, 1%, 0204, E24
0	L 2	62.03.0010	48uH	2A Toroid Chocke	0	R 42	57.60.1103	10k	MF, 1%, 0204, E24
0	MP 1	1.940.562.11		D19M 24 BIT AD BOARD PCB	0	R 43	57.60.1221	220R	MF, 1%, 0204, E24
0	MP 2	1.940.563.04		TYPENSCHILD	0	R 44	57.60.1223	22k	MF, 1%, 0204, E24
0	MP 3	43.01.0108	Label	ESE-WARNschild	0	R 45	57.60.1103	10k	MF, 1%, 0204, E24
0	MP 4	1.101.001.20	Label	TEXT-ETIK. 5*20 HARDWARE -20	0	R 46	57.60.1105	1M	MF, 1%, 0204, E24
0	MP 10	1.940.563.01 1 pce		FRONTPLATTE C4AD NS 24BIT	0	R 47	57.60.1102	1k0	MF, 1%, 0204, E24
0	MP 11	1.940.600.04 1 pce		GRIFFEINLAGE 4TE	0	R 48	57.60.1302	3k0	MF, 1%, 0204, E24
0	MP 12	49.02.0520 2 pcs	M2.5*12	Rändelschraube (Rack)	0	R 49	57.60.1102	1k0	MF, 1%, 0204, E24
0	MP 13	49.02.0521 2 pcs		Metall-Buchse (Rack)	0	R 50	57.60.1220	22R	MF, 1%, 0204, E24
0	MP 14	49.02.0522 2 pcs		Kartenhalter mit Z-Schr	0	R 51	57.60.1104	100k	MF, 1%, 0204, E24
0	MP 15	49.02.0523 1 pce	M2.5*7	Senk-Schr, KS, Senkripp	0	R 52	57.60.1105	1M	MF, 1%, 0204, E24
0	MP 16	49.02.0504 1 pce	4TE	Frontplatten-Griff	0	R 53	57.60.1102	1k0	MF, 1%, 0204, E24
1	MP 17	not used 2 pcs	M2.5*6	Z-Schraube Inbus Zn gb chr	0	R 54	57.60.1821	820R	MF, 1%, 0204, E24
				<i>Schraube ist in MP14 (49.02.0522 Kartenhalter) enthalten</i>	0	R 55	57.60.1000	0R0	MF, 0204
0	MP 18	21.53.0284 1 pce	M2.5*16	Z-Schraube Inbus Zn gb chr	0	R 56	57.92.7019	0.4A	PTC 60V
0	MP 19	28.99.0119 2 pcs		ROHRNIETE D 2.5*0.15 9	0	R 57	57.92.7019	0.4A	PTC 60V
0	MP 20	50.20.3004		Kühlkörper, TO 220, horizontal	0	R 58	57.60.1103	10k	MF, 1%, 0204, E24
2	MP 21	43.10.0110	A	Revisions-Etikette 5mm h/blau	0	R 59	57.60.1103	10k	MF, 1%, 0204, E24
0	P 1	not used	1p	Pin, 1reihig, gerade	0	R 60	57.60.1683	68k	MF, 1%, 0204, E24
0	P 2	not used	1p	Pin, 1reihig, gerade	0	R 61	57.60.1562	5k6	MF, 1%, 0204, E24
0	P 3	not used	1p	Pin, 1reihig, gerade	0	R 62	57.60.1103	10k	MF, 1%, 0204, E24
0	P 4	not used	1p	Pin, 1reihig, gerade	0	R 63	57.60.1475	4M7	MF, 1%, 0204, E24
0	P 5	not used	1p	Pin, 1reihig, gerade	0	R 64	57.60.1475	4M7	MF, 1%, 0204, E24
0	P 6	not used	1p	Pin, 1reihig, gerade	0	R 65	57.60.1106	10M	MF, 1%, 0204, E24
0	P 7	not used	1p	Pin, 1reihig, gerade	0	R 101	57.60.1152	1k5	MF, 1%, 0204, E24
0	P 8	54.01.0020	1p	Pin, 1reihig, gerade	0	R 102	57.60.1272	2k7	MF, 1%, 0204, E24
0	P 9	54.01.0020	1p	Pin, 1reihig, gerade	0	R 103	57.60.1122	1k2	MF, 1%, 0204, E24
0	P 10	54.01.0020	1p	Pin, 1reihig, gerade	0	R 104	57.60.1272	2k7	MF, 1%, 0204, E24
0	P 11	54.01.0020	1p	Pin, 1reihig, gerade	0	R 105	57.60.1821	820R	MF, 1%, 0204, E24
0	P 12	54.01.0020	1p	Pin, 1reihig, gerade	0	R 106	57.60.1472	4k7	MF, 1%, 0204, E24
0	P 13	54.01.0020	1p	Pin, 1reihig, gerade	0	R 107	57.60.1332	3k3	MF, 1%, 0204, E24
0	P 14	54.01.0020	1p	Pin, 1reihig, gerade	0	R 108	57.60.1222	2k2	MF, 1%, 0204, E24
0	P 15	54.01.0020	1p	Pin, 1reihig, gerade	0	R 109	57.60.1510	51R	MF, 1%, 0204, E24
0	P 16	54.01.0020	1p	Pin, 1reihig, gerade	0	R 110	57.60.1331	330R	MF, 1%, 0204, E24
0	P 17	54.01.0020	1p	Pin, 1reihig, gerade	0	R 111	57.60.1681	680R	MF, 1%, 0204, E24
0	P 18	54.01.0020	1p	Pin, 1reihig, gerade	0	R 112	57.60.1332	3k3	MF, 1%, 0204, E24
0	P 19	54.11.0136	2*3p	Pin 0.63*0.63, RM2.54	0	R 113	57.60.1103	10k	MF, 1%, 0204, E24
0	P 101	54.11.0136	2*3p	Pin 0.63*0.63, RM2.54	0	R 114	57.60.1102	1k0	MF, 1%, 0204, E24
0	P 201	54.11.0136	2*3p	Pin 0.63*0.63, RM2.54	0	R 115	57.60.1333	33k	MF, 1%, 0204, E24
0	P 301	54.11.0136	2*3p	Pin 0.63*0.63, RM2.54	0	R 116	57.60.1152	1k5	MF, 1%, 0204, E24
0	P 401	54.11.0136	2*3p	Pin 0.63*0.63, RM2.54	0	R 117	57.60.1103	10k	MF, 1%, 0204, E24
0	Q 1	50.60.0001	BC847B	NPN 45V 100mA SOT 23	0	R 118	57.60.1332	3k3	MF, 1%, 0204, E24
0	Q 2	50.60.0001	BC847B	NPN 45V 100mA SOT 23	0	R 119	57.60.1332	3k3	MF, 1%, 0204, E24
0	Q 3	50.60.0001	BC847B	NPN 45V 100mA SOT 23	0	R 120	57.60.1222	2k2	MF, 1%, 0204, E24
0	Q 4	50.60.0001	BC847B	NPN 45V 100mA SOT 23	0	R 121	57.60.1392	3k9	MF, 1%, 0204, E24
0	Q 5	50.60.1001	BC857B	PNP 45V 100mA SOT 23	0	R 122	57.60.1472	4k7	MF, 1%, 0204, E24
0	R 1	57.60.1102	1k0	MF, 1%, 0204, E24	0	R 123	57.60.1510	51R	MF, 1%, 0204, E24
0	R 2	57.60.1472	4k7	MF, 1%, 0204, E24	0	R 124	57.60.1103	10k	MF, 1%, 0204, E24
0	R 3	57.60.1333	33k	MF, 1%, 0204, E24	0	R 125	57.60.1229	2R2	MF, 1%, 0204, E24
0	R 4	57.60.1333	33k	MF, 1%, 0204, E24	0	R 201	57.60.1152	1k5	MF, 1%, 0204, E24
0	R 5	57.60.1333	33k	MF, 1%, 0204, E24	0	R 202	57.60.1272	2k7	MF, 1%, 0204, E24
0	R 6	57.60.1220	22R	MF, 1%, 0204, E24	0	R 203	57.60.1122	1k2	MF, 1%, 0204, E24
0	R 7	57.60.1102	1k0	MF, 1%, 0204, E24	0	R 204	57.60.1272	2k7	MF, 1%, 0204, E24
0	R 8	57.60.1102	1k0	MF, 1%, 0204, E24	0	R 205	57.60.1821	820R	MF, 1%, 0204, E24
0	R 9	57.60.1220	22R	MF, 1%, 0204, E24	0	R 206	57.60.1472	4k7	MF, 1%, 0204, E24
0	R 10	57.60.1823	82k	MF, 1%, 0204, E24	0	R 207	57.60.1332	3k3	MF, 1%, 0204, E24
0	R 11	57.60.1105	1M	MF, 1%, 0204, E24	0	R 208	57.60.1222	2k2	MF, 1%, 0204, E24
0	R 12	57.60.1222	2k2	MF, 1%, 0204, E24	0	R 209	57.60.1510	51R	MF, 1%, 0204, E24
0	R 13	57.60.1220	22R	MF, 1%, 0204, E24	0	R 210	57.60.1331	330R	MF, 1%, 0204, E24
0	R 14	57.60.1270	27R	MF, 1%, 0204, E24	0	R 211	57.60.1681	680R	MF, 1%, 0204, E24

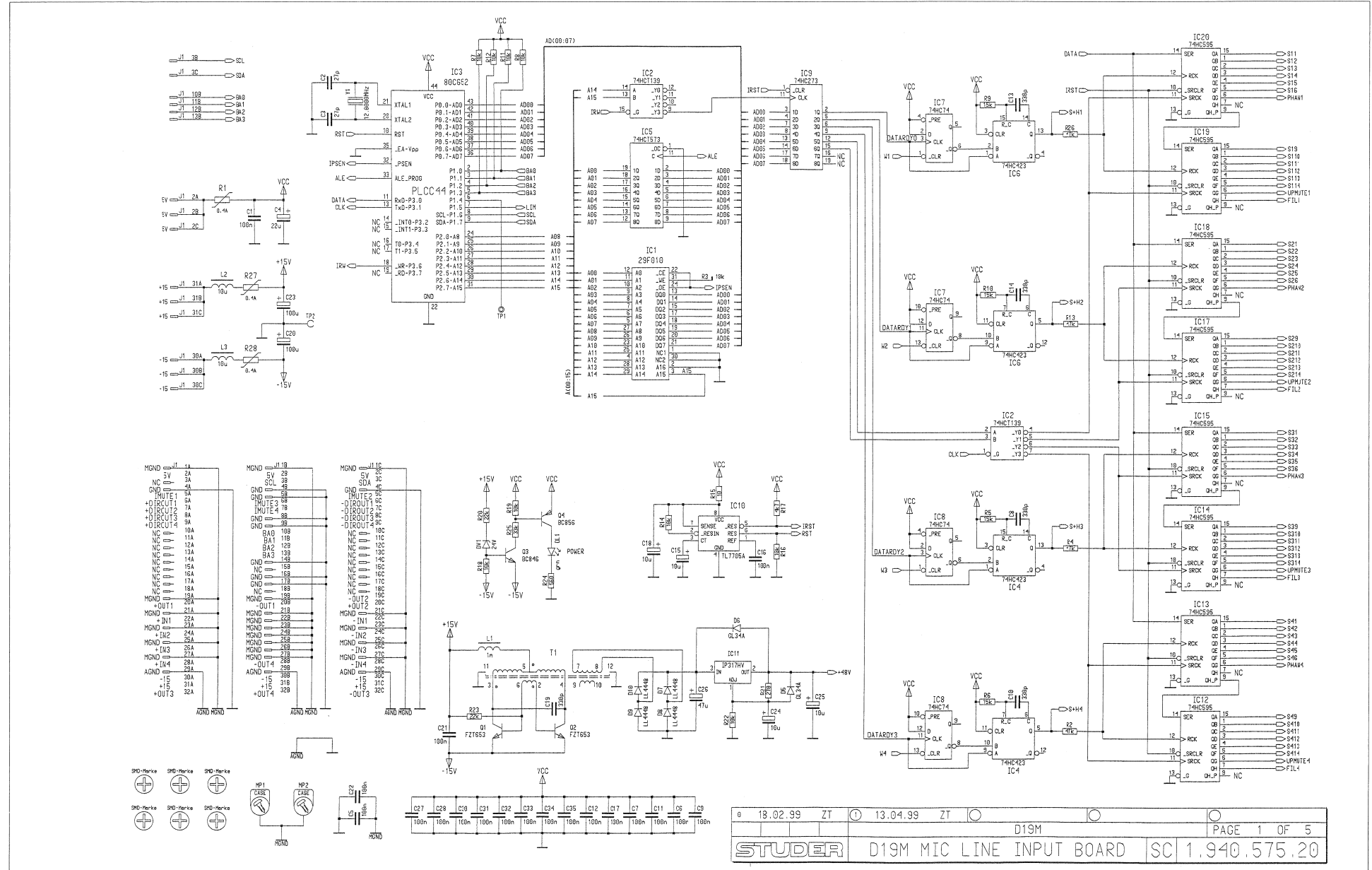
C4AD/24/NS, 24 Bit A/D 1.940.563.20 (2)

Idx. Pos.	Part No.	Qty.	Type/Val.	Description	Idx. Pos.	Part No.	Qty.	Type/Val.	Description
0	R 212	57.60.1332	3k3	MF, 1%, 0204, E24	0	XDL 9	50.20.2501	Spacer	LED-Sockel
0	R 213	57.60.1103	10k	MF, 1%, 0204, E24	0	XDL 10	50.20.2501	Spacer	LED-Sockel
0	R 214	57.60.1102	1k0	MF, 1%, 0204, E24	0	XIC 4	53.03.0168	16p	DIL 0.3", löt, gerade
0	R 215	57.60.1333	33k	MF, 1%, 0204, E24	0	XIC 5	53.03.0168	16p	DIL 0.3", löt, gerade
0	R 216	57.60.1152	1k5	MF, 1%, 0204, E24	0	XIC 13	53.03.2232	32p	PLCC-Socket
0	R 217	57.60.1103	10k	MF, 1%, 0204, E24	0	XIC 14	53.03.2284	84p	PLCC-Socket
0	R 218	57.60.1332	3k3	MF, 1%, 0204, E24	0	XIC 17	53.03.2232	32p	PLCC-Socket
0	R 219	57.60.1332	3k3	MF, 1%, 0204, E24	0	XT 101	1.022.400.03		ISOLATION
0	R 220	57.60.1222	2k2	MF, 1%, 0204, E24	0	XT 201	1.022.400.03		ISOLATION
0	R 221	57.60.1392	3k9	MF, 1%, 0204, E24	0	XT 301	1.022.400.03		ISOLATION
0	R 222	57.60.1472	4k7	MF, 1%, 0204, E24	0	XT 401	1.022.400.03		ISOLATION
0	R 223	57.60.1510	51R	MF, 1%, 0204, E24	0	XY 1	89.01.1499		QUARZ - ISOLIERPLATTE
0	R 301	57.60.1152	1k5	MF, 1%, 0204, E24	0	XY 2	89.01.1499		QUARZ - ISOLIERPLATTE
0	R 302	57.60.1272	2k7	MF, 1%, 0204, E24	0	Y 1	89.01.0559	11.289MHz	XTAL
0	R 303	57.60.1122	1k2	MF, 1%, 0204, E24	0	Y 2	89.01.1015	12.288MHz	XTAL HC 49/U
0	R 304	57.60.1272	2k7	MF, 1%, 0204, E24					
0	R 305	57.60.1821	820R	MF, 1%, 0204, E24					
0	R 306	57.60.1472	4k7	MF, 1%, 0204, E24					
0	R 307	57.60.1332	3k3	MF, 1%, 0204, E24					
0	R 308	57.60.1222	2k2	MF, 1%, 0204, E24					
0	R 309	57.60.1510	51R	MF, 1%, 0204, E24					
0	R 310	57.60.1331	330R	MF, 1%, 0204, E24					
0	R 311	57.60.1681	680R	MF, 1%, 0204, E24					
0	R 312	57.60.1332	3k3	MF, 1%, 0204, E24					
0	R 313	57.60.1103	10k	MF, 1%, 0204, E24					
0	R 314	57.60.1102	1k0	MF, 1%, 0204, E24					
0	R 315	57.60.1333	33k	MF, 1%, 0204, E24					
0	R 316	57.60.1152	1k5	MF, 1%, 0204, E24					
0	R 317	57.60.1103	10k	MF, 1%, 0204, E24					
0	R 318	57.60.1332	3k3	MF, 1%, 0204, E24					
0	R 319	57.60.1332	3k3	MF, 1%, 0204, E24					
0	R 320	57.60.1222	2k2	MF, 1%, 0204, E24					
0	R 321	57.60.1392	3k9	MF, 1%, 0204, E24					
0	R 322	57.60.1472	4k7	MF, 1%, 0204, E24					
0	R 323	57.60.1510	51R	MF, 1%, 0204, E24					
0	R 324	57.60.1229	2R2	MF, 1%, 0204, E24					
0	R 325	57.60.1103	10k	MF, 1%, 0204, E24					
0	R 401	57.60.1152	1k5	MF, 1%, 0204, E24					
0	R 402	57.60.1272	2k7	MF, 1%, 0204, E24					
0	R 403	57.60.1122	1k2	MF, 1%, 0204, E24					
0	R 404	57.60.1272	2k7	MF, 1%, 0204, E24					
0	R 405	57.60.1821	820R	MF, 1%, 0204, E24					
0	R 406	57.60.1472	4k7	MF, 1%, 0204, E24					
0	R 407	57.60.1332	3k3	MF, 1%, 0204, E24					
0	R 408	57.60.1222	2k2	MF, 1%, 0204, E24					
0	R 409	57.60.1510	51R	MF, 1%, 0204, E24					
0	R 410	57.60.1331	330R	MF, 1%, 0204, E24					
0	R 411	57.60.1681	680R	MF, 1%, 0204, E24					
0	R 412	57.60.1332	3k3	MF, 1%, 0204, E24					
0	R 413	57.60.1103	10k	MF, 1%, 0204, E24					
0	R 414	57.60.1102	1k0	MF, 1%, 0204, E24					
0	R 415	57.60.1333	33k	MF, 1%, 0204, E24					
0	R 416	57.60.1152	1k5	MF, 1%, 0204, E24					
0	R 417	57.60.1103	10k	MF, 1%, 0204, E24					
0	R 418	57.60.1332	3k3	MF, 1%, 0204, E24					
0	R 419	57.60.1332	3k3	MF, 1%, 0204, E24					
0	R 420	57.60.1222	2k2	MF, 1%, 0204, E24					
0	R 421	57.60.1392	3k9	MF, 1%, 0204, E24					
0	R 422	57.60.1472	4k7	MF, 1%, 0204, E24					
0	R 423	57.60.1510	51R	MF, 1%, 0204, E24					
0	RA 101	58.05.1201	200R	10%, 0.5W, Cermet					
0	RA 102	58.05.1202	2k0	10%, 0.5W, Cermet					
0	RA 201	58.05.1201	200R	10%, 0.5W, Cermet					
0	RA 202	58.05.1202	2k0	10%, 0.5W, Cermet					
0	RA 301	58.05.1201	200R	10%, 0.5W, Cermet					
0	RA 302	58.05.1202	2k0	10%, 0.5W, Cermet					
0	RA 401	58.05.1201	200R	10%, 0.5W, Cermet					
0	RA 402	58.05.1202	2k0	10%, 0.5W, Cermet					
0	RZ 1	57.88.4103	10k	8*R Resistor-Netz 2% SIP9					
0	RZ 2	57.88.4103	10k	8*R Resistor-Netz 2% SIP9					
0	RZ 3	57.88.4103	10k	8*R Resistor-Netz 2% SIP9					
0	S 1	55.11.0202	SPDT	Toggle 1 * on-none-on					
0	S 2	55.11.0202	SPDT	Toggle 1 * on-none-on					
0	T 1	1.022.647.00	1:1.4	OUTPUT TRAFO AES/EBU					
0	T 2	1.022.647.00	1:1.4	OUTPUT TRAFO AES/EBU					
0	T 3	1.022.647.00	1:1.4	OUTPUT TRAFO AES/EBU					
0	T 4	1.022.647.00	1:1.4	OUTPUT TRAFO AES/EBU					
0	T 5	1.022.632.00	1:1	DI/DO TRANSFORMER					
0	T 101	1.022.454.00	1:0.175	EINGANGSTRAFO 1:0,175					
0	T 201	1.022.454.00	1:0.175	EINGANGSTRAFO 1:0,175					
0	T 301	1.022.454.00	1:0.175	EINGANGSTRAFO 1:0,175					
0	T 401	1.022.454.00	1:0.175	EINGANGSTRAFO 1:0,175					
0	TP 1	54.33.6010	2.8*0.8	PCB-Flachstecker, gerade					
0	XDL 1	50.20.2501	Spacer	LED-Sockel					
0	XDL 3	50.20.2501	Spacer	LED-Sockel					
0	XDL 5	not used	Spacer	LED-Sockel					
0	XDL 7	50.20.2501	Spacer	LED-Sockel					

End of List

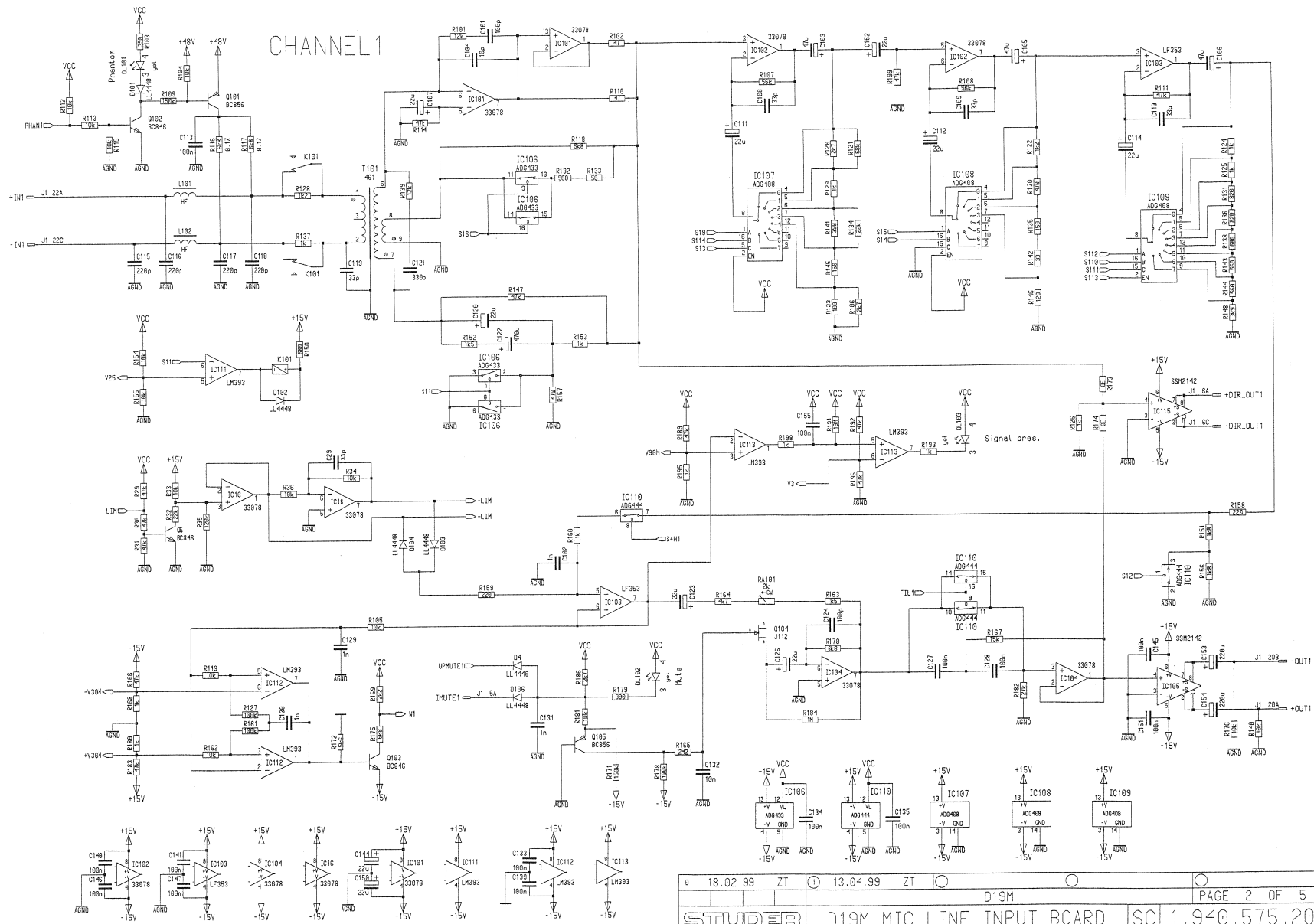
- (1) 12.04.00 MP 17 not used
- (2) 13.11.00 Additionally D7 and MP21

D19m Mic Line Input Board 1.940.575.20

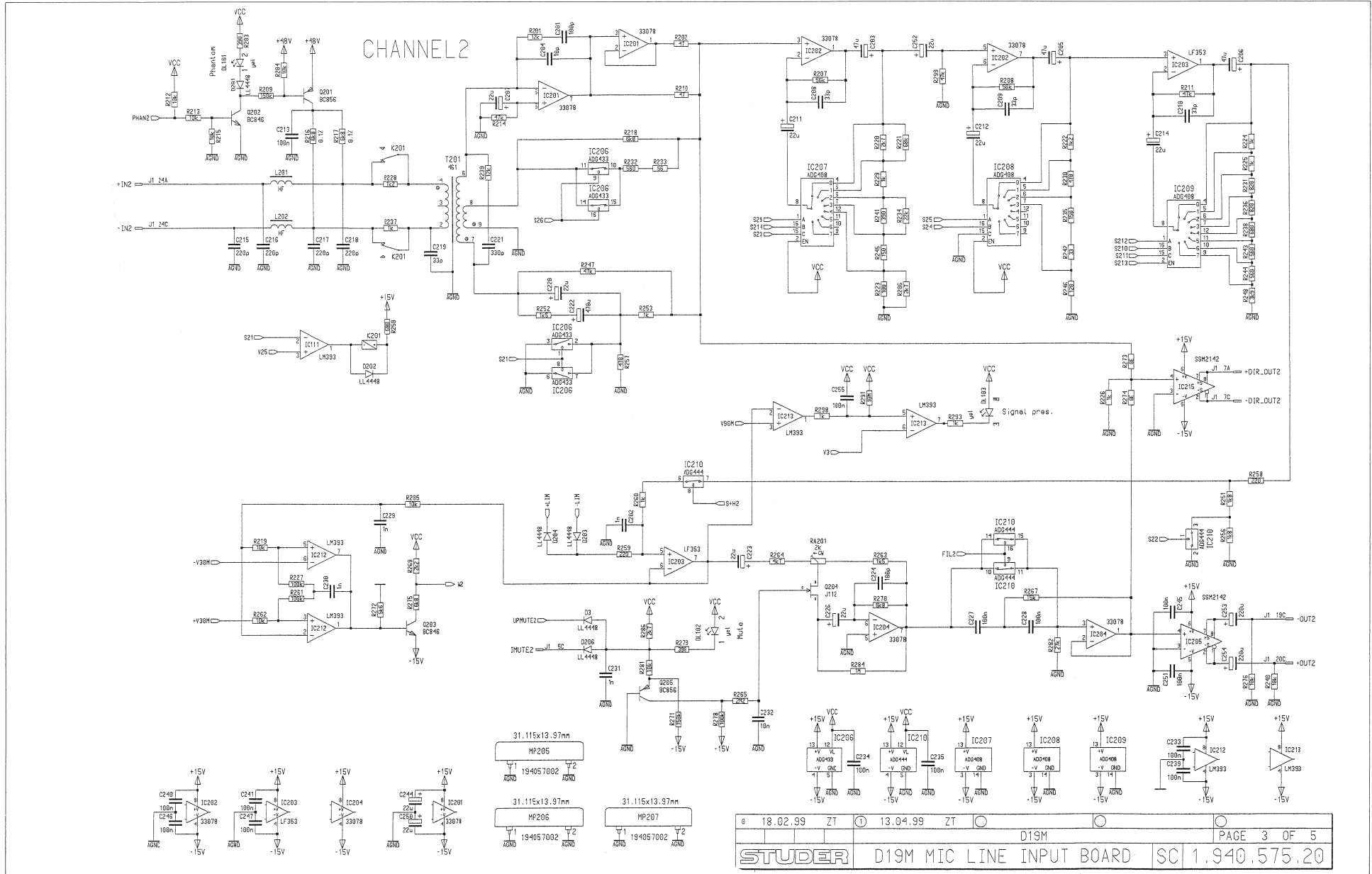




D19m Mic Line Input Board 1.940.575.20

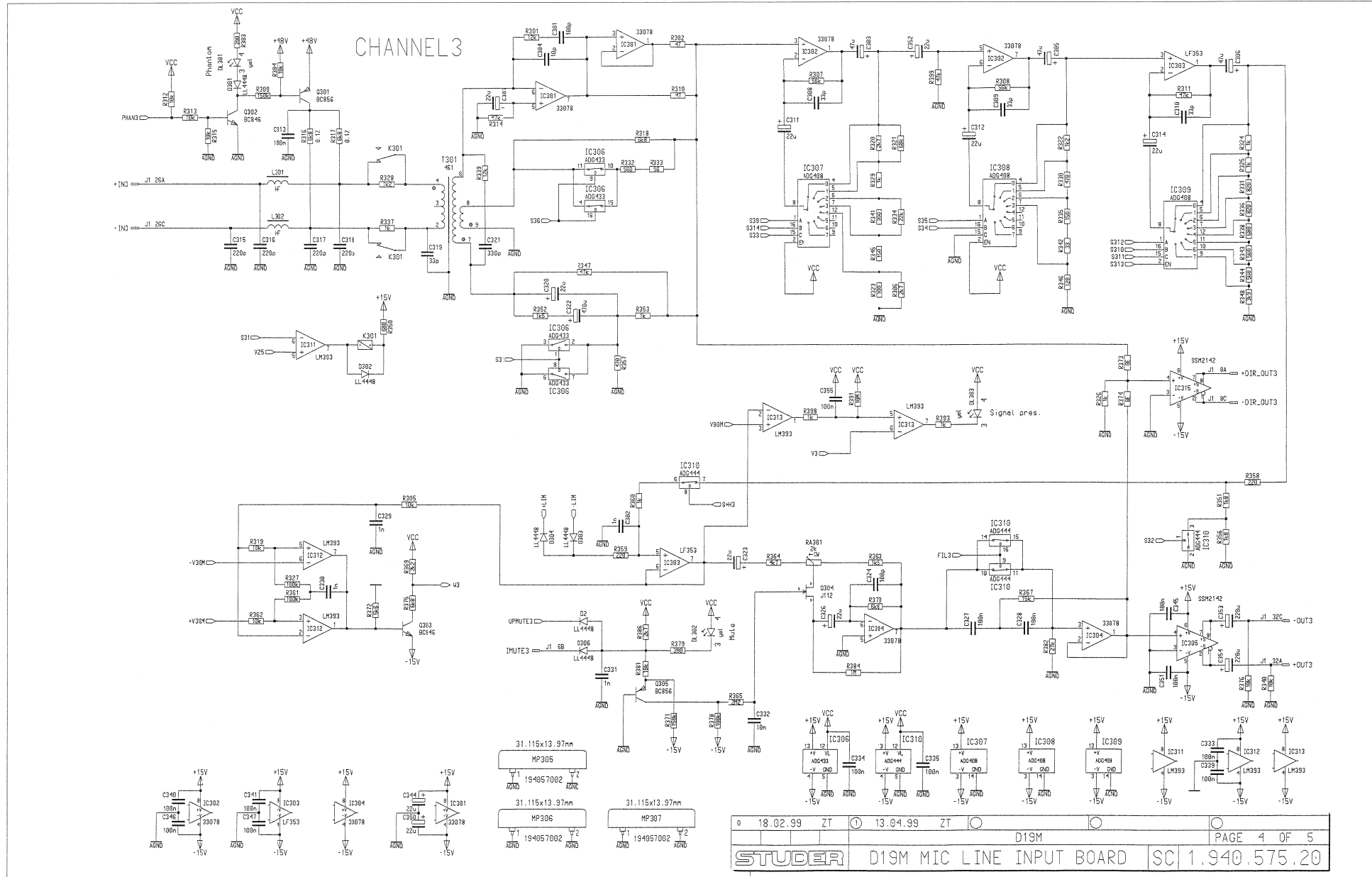


D19m Mic Line Input Board 1.940.575.20



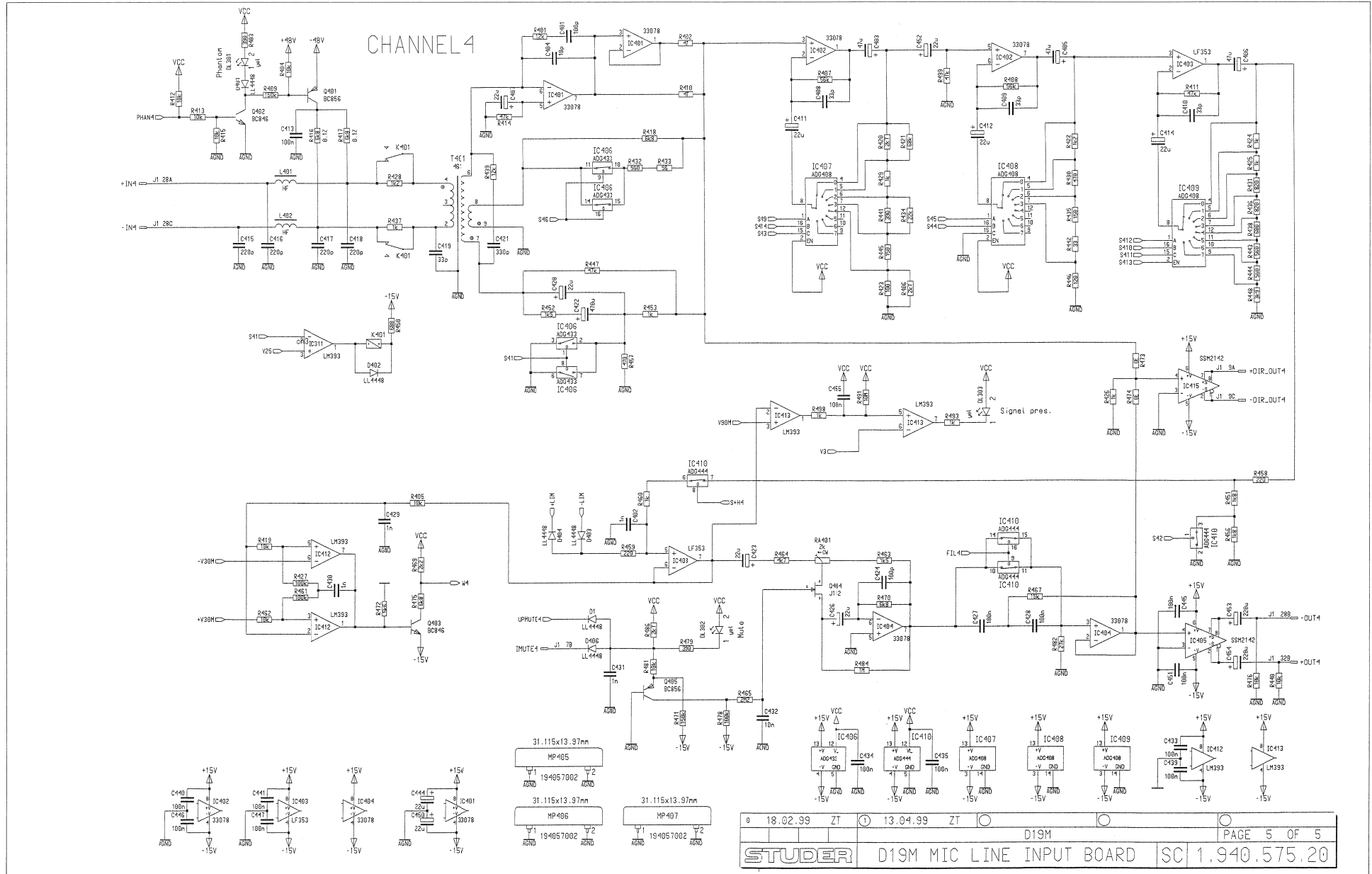


D19m Mic Line Input Board 1.940.575.20



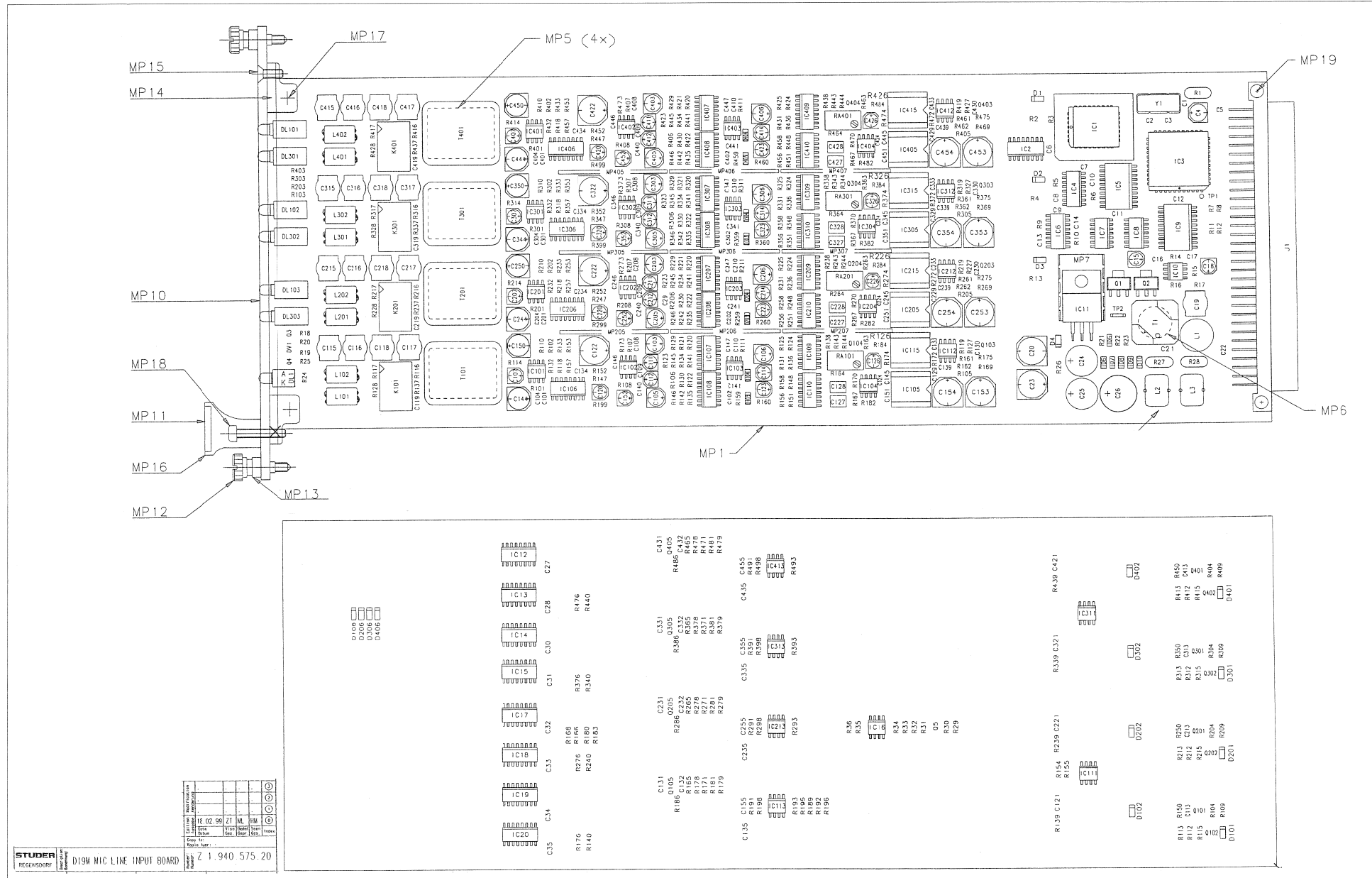


D19m Mic Line Input Board 1.940.575.20





D19m Mic Line Input Board I.940.575.20



STUDER
REGELSTUDIUM
D19M MIC LINE INPUT BOARD
Z 1.940.575.20

0406
0206
0306
0406

IC12	C431	Q405	R485	R432	R465	R476	R440	R479	R491	R498	R493	R439	C421	D402	R413	R450
IC13	C331	Q305	R386	C332	R365	R376	R340	R379	R391	R398	R393	R339	C321	D302	R313	R350
IC14	C231	Q205	R286	C232	R265	R276	R240	R279	R291	R298	R293	R239	C221	D202	R213	R250
IC15	C131	Q105	R186	C132	R165	R176	R140	R179	R191	R198	R193	R139	C121	D102	R113	R150
IC17	C031	Q005	R086	C032	R065	R076	R040	R079	R091	R098	R093	R039	C021	D002	R013	R050
IC18	C931	Q905	R986	C932	R965	R976	R940	R979	R991	R998	R993	R939	C921	D902	R913	R950
IC19	C831	Q805	R886	C832	R865	R876	R840	R879	R891	R898	R893	R839	C821	D802	R813	R850
IC20	C731	Q705	R786	C732	R765	R776	R740	R779	R791	R798	R793	R739	C721	D702	R713	R750
	C631	Q605	R686	C632	R665	R676	R640	R679	R691	R698	R693	R639	C621	D602	R613	R650
	C531	Q505	R586	C532	R565	R576	R540	R579	R591	R598	R593	R539	C521	D502	R513	R550
	C431	Q405	R486	C432	R465	R476	R440	R479	R491	R498	R493	R439	C421	D402	R413	R450
	C331	Q305	R386	C332	R365	R376	R340	R379	R391	R398	R393	R339	C321	D302	R313	R350
	C231	Q205	R286	C232	R265	R276	R240	R279	R291	R298	R293	R239	C221	D202	R213	R250
	C131	Q105	R186	C132	R165	R176	R140	R179	R191	R198	R193	R139	C121	D102	R113	R150
	C031	Q005	R086	C032	R065	R076	R040	R079	R091	R098	R093	R039	C021	D002	R013	R050
	C931	Q905	R986	C932	R965	R976	R940	R979	R991	R998	R993	R939	C921	D902	R913	R950
	C831	Q805	R886	C832	R865	R876	R840	R879	R891	R898	R893	R839	C821	D802	R813	R850
	C731	Q705	R786	C732	R765	R776	R740	R779	R791	R798	R793	R739	C721	D702	R713	R750
	C631	Q605	R686	C632	R665	R676	R640	R679	R691	R698	R693	R639	C621	D602	R613	R650
	C531	Q505	R586	C532	R565	R576	R540	R579	R591	R598	R593	R539	C521	D502	R513	R550
	C431	Q405	R486	C432	R465	R476	R440	R479	R491	R498	R493	R439	C421	D402	R413	R450

D19m Mic Line Input Board 1.940.575.22 (3)

Idx.	Pos.	Part No.	Qty.	Type/Val.	Description	Idx.	Pos.	Part No.	Qty.	Type/Val.	Description
0	C 1	59.60.3337	100n		CER 50V, 10%, X7R, 0805	0	C 206	59.68.0027	47u		EL 6V, 5.0*5.7
0	C 2	59.60.2235	27p		CER 50V, 5%, C0G, 0603	0	C 207	59.68.0025	22u		EL 6V, 4.0*5.7
0	C 3	59.60.2235	27p		CER 50V, 5%, C0G, 0603	0	C 208	59.60.2237	33p		CER 50V, 5%, C0G, 0603
0	C 4	59.68.0067	22u		EL 16V, 5.0*5.7	0	C 209	59.60.2237	33p		CER 50V, 5%, C0G, 0603
0	C 5	59.60.3337	100n		CER 50V, 10%, X7R, 0805	0	C 210	59.60.2237	33p		CER 50V, 5%, C0G, 0603
0	C 6	59.60.3337	100n		CER 50V, 10%, X7R, 0805	0	C 211	59.68.0025	22u		EL 6V, 4.0*5.7
0	C 7	59.60.3337	100n		CER 50V, 10%, X7R, 0805	0	C 212	59.68.0025	22u		EL 6V, 4.0*5.7
0	C 8	59.60.2361	330p		CER 50V, 5%, C0G, 0805	0	C 213	59.60.3337	100n		CER 50V, 10%, X7R, 0805
0	C 9	59.60.3337	100n		CER 50V, 10%, X7R, 0805	0	C 214	59.68.0025	22u		EL 6V, 4.0*5.7
0	C 10	59.60.2361	330p		CER 50V, 5%, C0G, 0805	0	C 215	59.05.1221	220p		PP, 1%, 630V
0	C 11	59.60.3337	100n		CER 50V, 10%, X7R, 0805	0	C 216	59.05.1221	220p		PP, 1%, 630V
0	C 12	59.60.3337	100n		CER 50V, 10%, X7R, 0805	0	C 217	59.05.1221	220p		PP, 1%, 630V
0	C 13	59.60.2361	330p		CER 50V, 5%, C0G, 0805	0	C 218	59.05.1221	220p		PP, 1%, 630V
0	C 14	59.60.2361	330p		CER 50V, 5%, C0G, 0805	0	C 219	59.60.2237	33p		CER 50V, 5%, C0G, 0603
0	C 15	59.68.0065	10u		EL 16V, 4.0*5.7	0	C 220	59.68.0025	22u		EL 6V, 4.0*5.7
0	C 16	59.60.3337	100n		CER 50V, 10%, X7R, 0805	0	C 221	59.60.2361	330p		CER 50V, 5%, C0G, 0805
0	C 17	59.60.3337	100n		CER 50V, 10%, X7R, 0805	0	C 222	59.68.0033	470u		EL 6V, 8.0*10.7
0	C 18	59.68.0065	10u		EL 16V, 4.0*5.7	0	C 223	59.68.0025	22u		EL 6V, 4.0*5.7
0	C 19	59.05.2331	330p		PP, 2.5%, 630V	0	C 224	59.60.2249	100p		CER 50V, 5%, C0G, 0603
0	C 20	59.68.0115	100u		EL 35V, 8.0*10.7	0	C 226	59.68.0025	22u		EL 6V, 4.0*5.7
0	C 21	59.60.3337	100n		CER 50V, 10%, X7R, 0805	0	C 227	59.63.0125	100n		PEN 50V, 5%, 1812
0	C 22	59.60.3337	100n		CER 50V, 10%, X7R, 0805	0	C 228	59.63.0125	100n		PEN 50V, 5%, 1812
0	C 23	59.68.0115	100u		EL 35V, 8.0*10.7	0	C 229	59.60.2373	1n0		CER 50V, 5%, C0G, 0805
0	C 24	59.22.8100	10u		EL 63V 20% RM5	0	C 230	59.60.2373	1n0		CER 50V, 5%, C0G, 0805
0	C 25	59.22.8100	10u		EL 63V 20% RM5	0	C 231	59.60.2373	1n0		CER 50V, 5%, C0G, 0805
0	C 26	59.22.8470	47u		EL 63V 20% RM5	0	C 232	59.60.3325	10n		CER 50V, 10%, X7R, 0805
0	C 27	59.60.3337	100n		CER 50V, 10%, X7R, 0805	0	C 233	59.60.3337	100n		CER 50V, 10%, X7R, 0805
0	C 28	59.60.3337	100n		CER 50V, 10%, X7R, 0805	0	C 234	not used	100n		CER 50V, 10%, X7R, 0805
0	C 29	59.60.2237	33p		CER 50V, 5%, C0G, 0603	0	C 235	not used	100n		CER 50V, 10%, X7R, 0805
0	C 30	59.60.3337	100n		CER 50V, 10%, X7R, 0805	0	C 239	59.60.3337	100n		CER 50V, 10%, X7R, 0805
0	C 31	59.60.3337	100n		CER 50V, 10%, X7R, 0805	0	C 240	59.60.3337	100n		CER 50V, 10%, X7R, 0805
0	C 32	59.60.3337	100n		CER 50V, 10%, X7R, 0805	0	C 241	59.60.3337	100n		CER 50V, 10%, X7R, 0805
0	C 33	59.60.3337	100n		CER 50V, 10%, X7R, 0805	0	C 244	59.68.0111	22u		EL 35V, 6.3*5.7
0	C 34	59.60.3337	100n		CER 50V, 10%, X7R, 0805	0	C 245	59.60.3337	100n		CER 50V, 10%, X7R, 0805
0	C 35	59.60.3337	100n		CER 50V, 10%, X7R, 0805	0	C 246	59.60.3337	100n		CER 50V, 10%, X7R, 0805
0	C 101	59.60.2249	100p		CER 50V, 5%, C0G, 0603	0	C 247	59.60.3337	100n		CER 50V, 10%, X7R, 0805
0	C 102	59.60.2373	1n0		CER 50V, 5%, C0G, 0805	0	C 250	59.68.0111	22u		EL 35V, 6.3*5.7
0	C 103	59.68.0027	47u		EL 6V, 5.0*5.7	0	C 251	59.60.3337	100n		CER 50V, 10%, X7R, 0805
1	C 104	59.60.2233	22p		CER 50V, 5%, C0G, 0603	0	C 252	59.68.0025	22u		EL 6V, 4.0*5.7
0	C 105	59.68.0027	47u		EL 6V, 5.0*5.7	0	C 253	59.68.0031	220u		EL 6V, 8.0*6.3
0	C 106	59.68.0027	47u		EL 6V, 5.0*5.7	0	C 254	59.68.0031	220u		EL 6V, 8.0*6.3
0	C 107	59.68.0025	22u		EL 6V, 4.0*5.7	0	C 255	59.60.3337	100n		CER 50V, 10%, X7R, 0805
0	C 108	59.60.2237	33p		CER 50V, 5%, C0G, 0603	0	C 301	59.60.2249	100p		CER 50V, 5%, C0G, 0603
0	C 109	59.60.2237	33p		CER 50V, 5%, C0G, 0603	0	C 302	59.60.2373	1n0		CER 50V, 5%, C0G, 0805
0	C 110	59.60.2237	33p		CER 50V, 5%, C0G, 0603	0	C 303	59.68.0027	47u		EL 6V, 5.0*5.7
0	C 111	59.68.0025	22u		EL 6V, 4.0*5.7	1	C 304	59.60.2233	22p		CER 50V, 5%, C0G, 0603
0	C 112	59.68.0025	22u		EL 6V, 4.0*5.7	0	C 305	59.68.0027	47u		EL 6V, 5.0*5.7
0	C 113	59.60.3337	100n		CER 50V, 10%, X7R, 0805	0	C 306	59.68.0027	47u		EL 6V, 5.0*5.7
0	C 114	59.68.0025	22u		EL 6V, 4.0*5.7	0	C 307	59.68.0025	22u		EL 6V, 4.0*5.7
0	C 115	59.05.1221	220p		PP, 1%, 630V	0	C 308	59.60.2237	33p		CER 50V, 5%, C0G, 0603
0	C 116	59.05.1221	220p		PP, 1%, 630V	0	C 309	59.60.2237	33p		CER 50V, 5%, C0G, 0603
0	C 117	59.05.1221	220p		PP, 1%, 630V	0	C 310	59.60.2237	33p		CER 50V, 5%, C0G, 0603
0	C 118	59.05.1221	220p		PP, 1%, 630V	0	C 311	59.68.0025	22u		EL 6V, 4.0*5.7
0	C 119	59.60.2237	33p		CER 50V, 5%, C0G, 0603	0	C 312	59.68.0025	22u		EL 6V, 4.0*5.7
0	C 120	59.68.0025	22u		EL 6V, 4.0*5.7	0	C 313	59.60.3337	100n		CER 50V, 10%, X7R, 0805
0	C 121	59.60.2361	330p		CER 50V, 5%, C0G, 0805	0	C 314	59.68.0025	22u		EL 6V, 4.0*5.7
0	C 122	59.68.0033	470u		EL 6V, 8.0*10.7	0	C 315	59.05.1221	220p		PP, 1%, 630V
0	C 123	59.68.0025	22u		EL 6V, 4.0*5.7	0	C 316	59.05.1221	220p		PP, 1%, 630V
0	C 124	59.60.2249	100p		CER 50V, 5%, C0G, 0603	0	C 317	59.05.1221	220p		PP, 1%, 630V
0	C 126	59.68.0025	22u		EL 6V, 4.0*5.7	0	C 318	59.05.1221	220p		PP, 1%, 630V
0	C 127	59.63.0125	100n		PEN 50V, 5%, 1812	0	C 319	59.60.2237	33p		CER 50V, 5%, C0G, 0603
0	C 128	59.63.0125	100n		PEN 50V, 5%, 1812	0	C 320	59.68.0025	22u		EL 6V, 4.0*5.7
0	C 129	59.60.2373	1n0		CER 50V, 5%, C0G, 0805	0	C 321	59.60.2361	330p		CER 50V, 5%, C0G, 0805
0	C 130	59.60.2373	1n0		CER 50V, 5%, C0G, 0805	0	C 322	59.68.0033	470u		EL 6V, 8.0*10.7
0	C 131	59.60.2373	1n0		CER 50V, 5%, C0G, 0805	0	C 323	59.68.0025	22u		EL 6V, 4.0*5.7
0	C 132	59.60.3325	10n		CER 50V, 10%, X7R, 0805	0	C 324	59.60.2249	100p		CER 50V, 5%, C0G, 0603
0	C 133	59.60.3337	100n		CER 50V, 10%, X7R, 0805	0	C 326	59.68.0025	22u		EL 6V, 4.0*5.7
0	C 134	not used	100n		CER 50V, 10%, X7R, 0805	0	C 327	59.63.0125	100n		PEN 50V, 5%, 1812
0	C 135	not used	100n		CER 50V, 10%, X7R, 0805	0	C 328	59.63.0125	100n		PEN 50V, 5%, 1812
0	C 139	59.60.3337	100n		CER 50V, 10%, X7R, 0805	0	C 329	59.60.2373	1n0		CER 50V, 5%, C0G, 0805
0	C 140	59.60.3337	100n		CER 50V, 10%, X7R, 0805	0	C 330	59.60.2373	1n0		CER 50V, 5%, C0G, 0805
0	C 141	59.60.3337	100n		CER 50V, 10%, X7R, 0805	0	C 331	59.60.2373	1n0		CER 50V, 5%, C0G, 0805
0	C 144	59.68.0111	22u		EL 35V, 6.3*5.7	0	C 332	59.60.3325	10n		CER 50V, 10%, X7R, 0805
0	C 145	59.60.3337	100n		CER 50V, 10%, X7R, 0805	0	C 333	59.60.3337	100n		CER 50V, 10%, X7R, 0805
0	C 146	59.60.3337	100n		CER 50V, 10%, X7R, 0805	0	C 334	not used	100n		CER 50V, 10%, X7R, 0805
0	C 147	59.60.3337	100n		CER 50V, 10%, X7R, 0805	0	C 335	not used	100n		CER 50V, 10%, X7R, 0805
0	C 150	59.68.0111	22u		EL 35V, 6.3*5.7	0	C 339	59.60.3337	100n		CER 50V, 10%, X7R, 0805
0	C 151	59.60.3337	100n		CER 50V, 10%, X7R, 0805	0	C 340	59.60.3337	100n		CER 50V, 10%, X7R, 0805
0	C 152	59.68.0025	22u		EL 6V, 4.0*5.7	0	C 341	59.60.3337	100n		CER 50V, 10%, X7R, 0805
0	C 153	59.68.0031	220u		EL 6V, 8.0*6.3	0	C 344	59.68.0111	22u		EL 35V, 6.3*5.7
0	C 154	59.68.0031	220u		EL 6V, 8.0*6.3	0	C 345	59.60.3337	100n		CER 50V, 10%, X7R, 0805
0	C 155	59.60.3337	100n		CER 50V, 10%, X7R, 0805	0	C 346	59.60.3337	100n		CER 50V, 10%, X7R, 0805
0	C 201	59.60.2249	100p		CER 50V, 5%, C0G, 0603	0	C 347	59.60.3337	100n		CER 50V, 10%, X7R, 0805
0	C 202	59.60.2373	1n0		CER 50V, 5%, C0G, 0805	0	C 350	59.68.0111	22u		EL 35V, 6.3*5.7
0	C 203	59.68.0027	47u		EL 6V, 5.0*5.7	0	C 351	59.60.3337	100n		CER 50V, 10%, X7R, 0805
1	C 204	59.60.2233	22p		CER 50V, 5%, C0G, 0603	0	C 352	59.68.0025	22u		EL 6V, 4.0*5.7
0	C 205	59.68.0027	47u		EL 6V, 5.0*5.7	0	C 353	59.68.0031	220u		EL 6V, 8.0*6.3

D19m Mic Line Input Board 1.940.575.22 (3)

Idx.	Pos.	Part No.	Qty.	Type/Val.	Description	Idx.	Pos.	Part No.	Qty.	Type/Val.	Description
0	C 354	59.68.0031	220u		EL 6V, 8.0*6.3	0	IC 1	1.940.984.21			SW 575 Preamp (50.63.1303)
0	C 355	59.60.3337	100n		CER 50V, 10%, X7R, 0805	0	IC 2	50.62.3139		74HCT139	Dual 2 to 4 line decoder
0	C 401	59.60.2249	100p		CER 50V, 5%, COG, 0603	0	IC 3	50.63.0009		80C652	MPU 8bit
0	C 402	59.60.2373	1n0		CER 50V, 5%, COG, 0805	0	IC 4	50.62.1423		74HC423	Dual multivibr monost retrigg
0	C 403	59.68.0027	47u		EL 6V, 5.0*5.7	0	IC 5	50.62.3573		74HCT573	Octal D-type latch
1	C 404	59.60.2233	22p		CER 50V, 5%, COG, 0603	0	IC 6	50.62.1423		74HC423	Dual multivibr monost retrigg
0	C 405	59.68.0027	47u		EL 6V, 5.0*5.7	0	IC 7	50.62.1074		74HC 74	Dual D-type FF, preset clear
0	C 406	59.68.0027	47u		EL 6V, 5.0*5.7	0	IC 8	50.62.1074		74HC 74	Dual D-type FF, preset clear
0	C 407	59.68.0025	22u		EL 6V, 4.0*5.7	0	IC 9	50.62.1273		74HC273	Octal D-FF with reset
0	C 408	59.60.2237	33p		CER 50V, 5%, COG, 0603	0	IC 10	50.63.2001		7705B	Reset Generator
0	C 409	59.60.2237	33p		CER 50V, 5%, COG, 0603	0	IC 11	50.10.0116		LM317HV	IC IP 317 HVT, LM 317 HVT
0	C 410	59.60.2237	33p		CER 50V, 5%, COG, 0603	0	IC 12	50.62.1595		74HC595	8bit shift/output register
0	C 411	59.68.0025	22u		EL 6V, 4.0*5.7	0	IC 13	50.62.1595		74HC595	8bit shift/output register
0	C 412	59.68.0025	22u		EL 6V, 4.0*5.7	0	IC 14	50.62.1595		74HC595	8bit shift/output register
0	C 413	59.60.3337	100n		CER 50V, 10%, X7R, 0805	0	IC 15	50.62.1595		74HC595	8bit shift/output register
0	C 414	59.68.0025	22u		EL 6V, 4.0*5.7	0	IC 16	50.61.0204		MC33078	Dual Op-Amp low noise
0	C 415	59.05.1221	220p		PP, 1%, 630V	0	IC 17	50.62.1595		74HC595	8bit shift/output register
0	C 416	59.05.1221	220p		PP, 1%, 630V	0	IC 18	50.62.1595		74HC595	8bit shift/output register
0	C 417	59.05.1221	220p		PP, 1%, 630V	0	IC 19	50.62.1595		74HC595	8bit shift/output register
0	C 418	59.05.1221	220p		PP, 1%, 630V	0	IC 20	50.62.1595		74HC595	8bit shift/output register
0	C 419	59.60.2237	33p		CER 50V, 5%, COG, 0603	0	IC 101	50.61.0204		MC33078	Dual Op-Amp low noise
0	C 420	59.68.0025	22u		EL 6V, 4.0*5.7	0	IC 102	50.61.0204		MC33078	Dual Op-Amp low noise
0	C 421	59.60.2361	330p		CER 50V, 5%, COG, 0805	0	IC 103	50.61.0207		LF353	Dual Op-Amp JFET SO 8
0	C 422	59.68.0033	470u		EL 6V, 8.0*10.7	0	IC 104	50.61.0204		MC33078	Dual Op-Amp low noise
0	C 423	59.68.0025	22u		EL 6V, 4.0*5.7	0	IC 105	50.09.0124		2142	Audio balanced line driver
0	C 424	59.60.2249	100p		CER 50V, 5%, COG, 0603	0	IC 106	50.61.8202		ADG433	Quad SPST SO 16
0	C 426	59.68.0025	22u		EL 6V, 4.0*5.7	0	IC 107	50.61.8201		DG408	8Ch analog Mux SO 16
0	C 427	59.63.0125	100n		PEN 50V, 5%, 1812	0	IC 108	50.61.8201		DG408	8Ch analog Mux SO 16
0	C 428	59.63.0125	100n		PEN 50V, 5%, 1812	0	IC 109	50.61.8201		DG408	8Ch analog Mux SO 16
0	C 429	59.60.2373	1n0		CER 50V, 5%, COG, 0805	0	IC 110	50.61.8204		ADG444	Quad SPST low charge inj SO 16
0	C 430	59.60.2373	1n0		CER 50V, 5%, COG, 0805	0	IC 111	50.61.9001		LM393	Dual voltage comp. SO 8
0	C 431	59.60.2373	1n0		CER 50V, 5%, COG, 0805	0	IC 112	50.61.9001		LM393	Dual voltage comp. SO 8
0	C 432	59.60.3325	10n		CER 50V, 10%, X7R, 0805	0	IC 113	50.61.9001		LM393	Dual voltage comp. SO 8
0	C 433	59.60.3337	100n		CER 50V, 10%, X7R, 0805	0	IC 115	50.09.0124		2142	Audio balanced line driver
0	C 434	not used	100n		CER 50V, 10%, X7R, 0805	0	IC 201	50.61.0204		MC33078	Dual Op-Amp low noise
0	C 435	not used	100n		CER 50V, 10%, X7R, 0805	0	IC 202	50.61.0204		MC33078	Dual Op-Amp low noise
0	C 439	59.60.3337	100n		CER 50V, 10%, X7R, 0805	0	IC 203	50.61.0207		LF353	Dual Op-Amp JFET SO 8
0	C 440	59.60.3337	100n		CER 50V, 10%, X7R, 0805	0	IC 204	50.61.0204		MC33078	Dual Op-Amp low noise
0	C 441	59.60.3337	100n		CER 50V, 10%, X7R, 0805	0	IC 205	50.09.0124		2142	Audio balanced line driver
0	C 444	59.68.0111	22u		EL 35V, 6.3*5.7	0	IC 206	50.61.8202		ADG433	Quad SPST SO 16
0	C 445	59.60.3337	100n		CER 50V, 10%, X7R, 0805	0	IC 207	50.61.8201		DG408	8Ch analog Mux SO 16
0	C 446	59.60.3337	100n		CER 50V, 10%, X7R, 0805	0	IC 208	50.61.8201		DG408	8Ch analog Mux SO 16
0	C 447	59.60.3337	100n		CER 50V, 10%, X7R, 0805	0	IC 209	50.61.8201		DG408	8Ch analog Mux SO 16
0	C 450	59.68.0111	22u		EL 35V, 6.3*5.7	0	IC 210	50.61.8204		ADG444	Quad SPST low charge inj SO 16
0	C 451	59.60.3337	100n		CER 50V, 10%, X7R, 0805	0	IC 212	50.61.9001		LM393	Dual voltage comp. SO 8
0	C 452	59.68.0025	22u		EL 6V, 4.0*5.7	0	IC 213	50.61.9001		LM393	Dual voltage comp. SO 8
0	C 453	59.68.0031	220u		EL 6V, 8.0*6.3	0	IC 215	50.09.0124		2142	Audio balanced line driver
0	C 454	59.68.0031	220u		EL 6V, 8.0*6.3	0	IC 301	50.61.0204		MC33078	Dual Op-Amp low noise
0	C 455	59.60.3337	100n		CER 50V, 10%, X7R, 0805	0	IC 302	50.61.0204		MC33078	Dual Op-Amp low noise
0	D 1	50.60.8001	4448		200mA 75V 4ns SOD 80	0	IC 303	50.61.0207		LF353	Dual Op-Amp JFET SO 8
0	D 2	50.60.8001	4448		200mA 75V 4ns SOD 80	0	IC 304	50.61.0204		MC33078	Dual Op-Amp low noise
0	D 3	50.60.8001	4448		200mA 75V 4ns SOD 80	0	IC 305	50.09.0124		2142	Audio balanced line driver
0	D 4	50.60.8001	4448		200mA 75V 4ns SOD 80	0	IC 306	50.61.8202		ADG433	Quad SPST SO 16
0	D 5	50.60.8002	GL34A		500mA 50V DO 213	0	IC 307	50.61.8201		DG408	8Ch analog Mux SO 16
0	D 6	50.60.8002	GL34A		500mA 50V DO 213	0	IC 308	50.61.8201		DG408	8Ch analog Mux SO 16
0	D 7	50.60.8001	4448		200mA 75V 4ns SOD 80	0	IC 309	50.61.8201		DG408	8Ch analog Mux SO 16
0	D 8	50.60.8001	4448		200mA 75V 4ns SOD 80	0	IC 310	50.61.8204		ADG444	Quad SPST low charge inj SO 16
0	D 9	50.60.8001	4448		200mA 75V 4ns SOD 80	0	IC 311	50.61.9001		LM393	Dual voltage comp. SO 8
0	D 10	50.60.8001	4448		200mA 75V 4ns SOD 80	0	IC 312	50.61.9001		LM393	Dual voltage comp. SO 8
0	D 101	50.60.8001	4448		200mA 75V 4ns SOD 80	0	IC 313	50.61.9001		LM393	Dual voltage comp. SO 8
0	D 102	50.60.8001	4448		200mA 75V 4ns SOD 80	0	IC 315	50.09.0124		2142	Audio balanced line driver
0	D 103	50.60.8001	4448		200mA 75V 4ns SOD 80	0	IC 401	50.61.0204		MC33078	Dual Op-Amp low noise
0	D 104	50.60.8001	4448		200mA 75V 4ns SOD 80	0	IC 402	50.61.0204		MC33078	Dual Op-Amp low noise
0	D 106	50.60.8001	4448		200mA 75V 4ns SOD 80	0	IC 403	50.61.0207		LF353	Dual Op-Amp JFET SO 8
0	D 201	50.60.8001	4448		200mA 75V 4ns SOD 80	0	IC 404	50.61.0204		MC33078	Dual Op-Amp low noise
0	D 202	50.60.8001	4448		200mA 75V 4ns SOD 80	0	IC 405	50.09.0124		2142	Audio balanced line driver
0	D 203	50.60.8001	4448		200mA 75V 4ns SOD 80	0	IC 406	50.61.8202		ADG433	Quad SPST SO 16
0	D 204	50.60.8001	4448		200mA 75V 4ns SOD 80	0	IC 407	50.61.8201		DG408	8Ch analog Mux SO 16
0	D 206	50.60.8001	4448		200mA 75V 4ns SOD 80	0	IC 408	50.61.8201		DG408	8Ch analog Mux SO 16
0	D 301	50.60.8001	4448		200mA 75V 4ns SOD 80	0	IC 409	50.61.8201		DG408	8Ch analog Mux SO 16
0	D 302	50.60.8001	4448		200mA 75V 4ns SOD 80	0	IC 410	50.61.8204		ADG444	Quad SPST low charge inj SO 16
0	D 303	50.60.8001	4448		200mA 75V 4ns SOD 80	0	IC 412	50.61.9001		LM393	Dual voltage comp. SO 8
0	D 304	50.60.8001	4448		200mA 75V 4ns SOD 80	0	IC 413	50.61.9001		LM393	Dual voltage comp. SO 8
0	D 306	50.60.8001	4448		200mA 75V 4ns SOD 80	0	IC 415	50.09.0124		2142	Audio balanced line driver
0	D 401	50.60.8001	4448		200mA 75V 4ns SOD 80	0	J 1	54.11.2009		96p	EU-R 3*32p
0	D 402	50.60.8001	4448		200mA 75V 4ns SOD 80	0	K 101	56.04.0197		2*u	24V 125V 2A Ag/Au
0	D 403	50.60.8001	4448		200mA 75V 4ns SOD 80	0	K 201	56.04.0197		2*u	24V 125V 2A Ag/Au
0	D 404	50.60.8001	4448		200mA 75V 4ns SOD 80	0	K 301	56.04.0197		2*u	24V 125V 2A Ag/Au
0	D 406	50.60.8001	4448		200mA 75V 4ns SOD 80	0	K 401	56.04.0197		2*u	24V 125V 2A Ag/Au
0	DL 1	50.04.2202	HLMP1790		DL HLMP - 1790 GN	0	L 1	62.02.3102		1mH	10%, radial RM 5
0	DL 101	50.04.2772	2*yel		Dual-LED mit Halter	0	L 2	62.03.0001		10uH	1A Toroid Chocke
0	DL 102	50.04.2772	2*yel		Dual-LED mit Halter	0	L 3	62.03.0001		10uH	1A Toroid Chocke
0	DL 103	50.04.2772	2*yel		Dual-LED mit Halter	0	L 101	62.60.0902			SMD Wideband choke
0	DL 301	50.04.2772	2*yel		Dual-LED mit Halter	0	L 102	62.60.0902			SMD Wideband choke
0	DL 302	50.04.2772	2*yel		Dual-LED mit Halter	0	L 201	62.60.0902			SMD Wideband choke
0	DL 303	50.04.2772	2*yel		Dual-LED mit Halter	0	L 202	62.60.0902			SMD Wideband choke
0	DV 1	50.60.9026	24V		5%, 0.2W, SOT 23	0	L 301	62.60.0902			SMD Wideband choke

D19m Mic Line Input Board 1.940.575.22 (3)

Idx.	Pos.	Part No.	Qty.	Type/Val.	Description	Idx.	Pos.	Part No.	Qty.	Type/Val.	Description
0	L 302	62.60.0902			SMD Wideband choke	3	R 32	57.60.1123		12k	MF, 1%, 0204, E24
0	L 401	62.60.0902			SMD Wideband choke	0	R 33	57.60.1103		10k	MF, 1%, 0204, E24
0	L 402	62.60.0902			SMD Wideband choke	0	R 34	57.60.1103		10k	MF, 1%, 0204, E24
0	MP 1	1.940.575.13			D19M MIC LINE Input PCB	0	R 35	57.60.1124		120k	MF, 1%, 0204, E24
0	MP 2	1.940.575.04			TYPENSCHILD	0	R 36	57.60.1103		10k	MF, 1%, 0204, E24
0	MP 3	1.101.001.22			TEXT-ETIK. 5*20 HARDWARE -22	0	R 101	57.60.1123		12k	MF, 1%, 0204, E24
0	MP 4	43.01.0108		Label	ESE-WARNNSCHILD	0	R 102	57.60.1470		47R	MF, 1%, 0204, E24
0	MP 5	1.022.400.03	4 pcs		ISOLATION	0	R 103	57.60.1391		390R	MF, 1%, 0204, E24
0	MP 6	1.010.004.61		RM5	Isolierscheibe d=10	0	R 104	57.60.1103		10k	MF, 1%, 0204, E24
0	MP 7	50.20.3004			Kühlkörper, TO 220, horizontal	0	R 105	57.60.1103		10k	MF, 1%, 0204, E24
0	MP 10	1.940.575.01	1 pce		FRONTPLATTE MP4RC	0	R 106	57.60.1272		2k7	MF, 1%, 0204, E24
0	MP 11	1.940.600.04	1 pce		GRIFFEINLAGE 4TE	0	R 107	57.60.1563		56k	MF, 1%, 0204, E24
0	MP 12	49.02.0520	2 pcs	M2.5*12	Rändelschraube (Rack)	0	R 108	57.60.1563		56k	MF, 1%, 0204, E24
0	MP 13	49.02.0521	2 pcs		Metall-Buchse (Rack)	0	R 109	57.60.1154		150k	MF, 1%, 0204, E24
0	MP 14	49.02.0522	2 pcs		Kartenhalter mit Z-Schr	0	R 110	57.60.1470		47R	MF, 1%, 0204, E24
0	MP 15	49.02.0523	1 pce	M2.5*7	Senk-Schr, KS, Senkripp	0	R 111	57.60.1473		47k	MF, 1%, 0204, E24
0	MP 16	49.02.0504	2 pcs	4TE	Frontplatten-Griff	0	R 112	57.60.1103		10k	MF, 1%, 0204, E24
2	MP 17	not used	4 pcs	M2.5*6	Z-Schraube Inbus Zn gb chr	0	R 113	57.60.1103		10k	MF, 1%, 0204, E24
					<i>Schraube ist in MP14 (49.02.0522 Kartenhalter) enthalten</i>	0	R 114	57.60.1473		47k	MF, 1%, 0204, E24
0	MP 18	21.53.0284	1 pce	M2.5*16	Z-Schraube Inbus Zn gb chr	0	R 115	57.60.1103		10k	MF, 1%, 0204, E24
0	MP 19	28.99.0119	2 pcs		ROHRNIETE D 2.5*0.15* 9	0	R 116	57.69.2002		6k8	MF 0.1% 25ppm 0204
3	MP 20	43.10.0111	1 pce	B	Revisions-Etikette 5mm h/blau	0	R 117	57.69.2002		6k8	MF 0.1% 25ppm 0204
0	MP 205	not used			Abschirmblech	0	R 118	57.60.1682		6k8	MF, 1%, 0204, E24
0	MP 206	not used			Abschirmblech	0	R 119	57.60.1103		10k	MF, 1%, 0204, E24
0	MP 207	not used			Abschirmblech	0	R 120	57.60.1272		2k7	MF, 1%, 0204, E24
0	MP 305	not used			Abschirmblech	0	R 121	57.60.1683		68k	MF, 1%, 0204, E24
0	MP 306	not used			Abschirmblech	0	R 122	57.60.1122		1k2	MF, 1%, 0204, E24
0	MP 307	not used			Abschirmblech	0	R 123	57.60.1101		100R	MF, 1%, 0204, E24
0	MP 405	not used			Abschirmblech	0	R 124	57.60.1102		1k0	MF, 1%, 0204, E24
0	MP 406	not used			Abschirmblech	0	R 125	57.60.1102		1k0	MF, 1%, 0204, E24
0	MP 407	not used			Abschirmblech	0	R 126	not used		1k0	MF, 1%, 0204, E24
0	Q 1	50.60.0150		FZT653	NPN 100V 2.0A SOT 223	0	R 127	57.60.1104		100k	MF, 1%, 0204, E24
0	Q 2	50.60.0150		FZT653	NPN 100V 2.0A SOT 223	0	R 128	57.60.1122		1k2	MF, 1%, 0204, E24
0	Q 3	50.60.0003		BC846B	NPN 65V 100mA SOT 23	0	R 129	57.60.1102		1k0	MF, 1%, 0204, E24
0	Q 4	50.60.1003		BC856B	PNP 65V 100mA SOT 23	0	R 130	57.60.1471		470R	MF, 1%, 0204, E24
0	Q 5	50.60.0003		BC846B	NPN 65V 100mA SOT 23	0	R 131	57.60.1821		820R	MF, 1%, 0204, E24
0	Q 101	50.60.1003		BC856B	PNP 65V 100mA SOT 23	0	R 132	57.60.1561		560R	MF, 1%, 0204, E24
0	Q 102	50.60.0003		BC846B	NPN 65V 100mA SOT 23	0	R 133	57.60.1560		56R	MF, 1%, 0204, E24
0	Q 103	50.60.0003		BC846B	NPN 65V 100mA SOT 23	0	R 134	57.60.1223		22k	MF, 1%, 0204, E24
0	Q 104	50.60.2001		J112	JFET N-Channel	0	R 135	57.60.1151		150R	MF, 1%, 0204, E24
0	Q 105	50.60.1003		BC856B	PNP 65V 100mA SOT 23	0	R 136	57.60.1821		820R	MF, 1%, 0204, E24
0	Q 201	50.60.1003		BC856B	PNP 65V 100mA SOT 23	0	R 137	57.60.1102		1k0	MF, 1%, 0204, E24
0	Q 202	50.60.0003		BC846B	NPN 65V 100mA SOT 23	0	R 138	57.60.1681		680R	MF, 1%, 0204, E24
0	Q 203	50.60.0003		BC846B	NPN 65V 100mA SOT 23	0	R 139	57.60.1123		12k	MF, 1%, 0204, E24
0	Q 204	50.60.2001		J112	JFET N-Channel	0	R 140	57.60.1103		10k	MF, 1%, 0204, E24
0	Q 205	50.60.1003		BC856B	PNP 65V 100mA SOT 23	0	R 141	57.60.1391		390R	MF, 1%, 0204, E24
0	Q 301	50.60.1003		BC856B	PNP 65V 100mA SOT 23	0	R 142	57.60.1330		33R	MF, 1%, 0204, E24
0	Q 302	50.60.0003		BC846B	NPN 65V 100mA SOT 23	0	R 143	57.60.1561		560R	MF, 1%, 0204, E24
0	Q 303	50.60.0003		BC846B	NPN 65V 100mA SOT 23	0	R 144	57.60.1561		560R	MF, 1%, 0204, E24
0	Q 304	50.60.2001		J112	JFET N-Channel	0	R 145	57.60.1151		150R	MF, 1%, 0204, E24
0	Q 305	50.60.1003		BC856B	PNP 65V 100mA SOT 23	0	R 146	57.60.1121		120R	MF, 1%, 0204, E24
0	Q 401	50.60.1003		BC856B	PNP 65V 100mA SOT 23	0	R 147	57.60.1473		47k	MF, 1%, 0204, E24
0	Q 402	50.60.0003		BC846B	NPN 65V 100mA SOT 23	0	R 148	57.60.1392		3k9	MF, 1%, 0204, E24
0	Q 403	50.60.0003		BC846B	NPN 65V 100mA SOT 23	0	R 150	57.60.1681		680R	MF, 1%, 0204, E24
0	Q 404	50.60.2001		J112	JFET N-Channel	0	R 151	57.60.1182		1k8	MF, 1%, 0204, E24
0	Q 405	50.60.1003		BC856B	PNP 65V 100mA SOT 23	0	R 152	57.60.1152		1k5	MF, 1%, 0204, E24
0	R 1	57.92.7019		0.4A	PTC 60V	0	R 153	57.60.1102		1k0	MF, 1%, 0204, E24
0	R 2	57.60.1473		47k	MF, 1%, 0204, E24	0	R 154	57.60.1103		10k	MF, 1%, 0204, E24
0	R 3	57.69.1097		10k	CF 5% 0603	0	R 155	57.60.1103		10k	MF, 1%, 0204, E24
0	R 4	57.60.1473		47k	MF, 1%, 0204, E24	0	R 156	57.60.1182		1k8	MF, 1%, 0204, E24
0	R 5	57.60.1153		15k	MF, 1%, 0204, E24	0	R 157	57.60.1471		470R	MF, 1%, 0204, E24
0	R 6	57.60.1153		15k	MF, 1%, 0204, E24	0	R 158	57.60.1221		220R	MF, 1%, 0204, E24
0	R 7	57.60.1103		10k	MF, 1%, 0204, E24	0	R 159	57.60.1221		220R	MF, 1%, 0204, E24
0	R 8	57.60.1103		10k	MF, 1%, 0204, E24	0	R 160	57.60.1102		1k0	MF, 1%, 0204, E24
0	R 9	57.60.1153		15k	MF, 1%, 0204, E24	0	R 161	57.60.1104		100k	MF, 1%, 0204, E24
0	R 10	57.60.1153		15k	MF, 1%, 0204, E24	0	R 162	57.60.1103		10k	MF, 1%, 0204, E24
0	R 11	57.60.1103		10k	MF, 1%, 0204, E24	0	R 163	57.60.1152		1k5	MF, 1%, 0204, E24
0	R 12	57.60.1103		10k	MF, 1%, 0204, E24	0	R 164	57.60.1472		4k7	MF, 1%, 0204, E24
0	R 13	57.60.1473		47k	MF, 1%, 0204, E24	0	R 165	57.60.1225		2M2	MF, 1%, 0204, E24
0	R 14	57.60.1103		10k	MF, 1%, 0204, E24	0	R 166	57.60.1473		47k	MF, 1%, 0204, E24
0	R 15	57.60.1100		10R	MF, 1%, 0204, E24	0	R 167	57.60.1153		15k	MF, 1%, 0204, E24
0	R 16	57.60.1103		10k	MF, 1%, 0204, E24	0	R 168	57.60.1102		1k0	MF, 1%, 0204, E24
0	R 17	57.60.1472		4k7	MF, 1%, 0204, E24	0	R 169	57.60.1222		2k2	MF, 1%, 0204, E24
0	R 18	57.60.1103		10k	MF, 1%, 0204, E24	0	R 170	57.60.1682		6k8	MF, 1%, 0204, E24
0	R 19	57.60.1103		10k	MF, 1%, 0204, E24	0	R 171	57.60.1154		150k	MF, 1%, 0204, E24
0	R 20	57.60.1223		22k	MF, 1%, 0204, E24	0	R 172	57.60.1562		5k6	MF, 1%, 0204, E24
0	R 21	57.60.1271		270R	MF, 1%, 0204, E24	0	R 173	57.60.1000		0R0	MF, 0204
0	R 22	57.60.1103		10k	MF, 1%, 0204, E24	0	R 174	not used		0R0	MF, 0204
0	R 23	57.60.1223		22k	MF, 1%, 0204, E24	0	R 175	57.60.1682		6k8	MF, 1%, 0204, E24
0	R 24	57.60.1561		560R	MF, 1%, 0204, E24	0	R 176	57.60.1103		10k	MF, 1%, 0204, E24
0	R 25	57.60.1333		33k	MF, 1%, 0204, E24	0	R 178	57.60.1104		100k	MF, 1%, 0204, E24
0	R 26	57.60.1473		47k	MF, 1%, 0204, E24	0	R 179	57.60.1391		390R	MF, 1%, 0204, E24
0	R 27	57.92.7019		0.4A	PTC 60V	0	R 180	57.60.1102		1k0	MF, 1%, 0204, E24
0	R 28	57.92.7019		0.4A	PTC 60V	0	R 181	57.60.1103		10k	MF, 1%, 0204, E24
0	R 29	57.60.1473		47k	MF, 1%, 0204, E24	0	R 182	57.60.1273		27k	MF, 1%, 0204, E24
0	R 30	57.60.1473		47k	MF, 1%, 0204, E24	0	R 183	57.60.1473		47k	MF, 1%, 0204, E24
0	R 31	57.60.1473		47k	MF, 1%, 0204, E24	0	R 184	57.60.1105		1M	MF, 1%, 0204, E24

D19m Mic Line Input Board 1.940.575.22 (3)

Idx.	Pos.	Part No.	Qty.	Type/Val.	Description	Idx.	Pos.	Part No.	Qty.	Type/Val.	Description
0	R 186	57.60.1272		2k7	MF, 1%, 0204, E24	0	R 293	57.60.1102		1k0	MF, 1%, 0204, E24
0	R 189	57.60.1473		47k	MF, 1%, 0204, E24	0	R 298	57.60.1102		1k0	MF, 1%, 0204, E24
0	R 191	57.60.1106		10M	MF, 1%, 0204, E24	0	R 299	57.60.1473		47k	MF, 1%, 0204, E24
0	R 192	57.60.1473		47k	MF, 1%, 0204, E24	0	R 301	57.60.1123		12k	MF, 1%, 0204, E24
0	R 193	57.60.1102		1k0	MF, 1%, 0204, E24	0	R 302	57.60.1470		47R	MF, 1%, 0204, E24
0	R 195	57.60.1102		1k0	MF, 1%, 0204, E24	0	R 303	57.60.1391		390R	MF, 1%, 0204, E24
0	R 196	57.60.1473		47k	MF, 1%, 0204, E24	0	R 304	57.60.1103		10k	MF, 1%, 0204, E24
0	R 198	57.60.1102		1k0	MF, 1%, 0204, E24	0	R 305	57.60.1103		10k	MF, 1%, 0204, E24
0	R 199	57.60.1473		47k	MF, 1%, 0204, E24	0	R 306	57.60.1272		2k7	MF, 1%, 0204, E24
0	R 201	57.60.1123		12k	MF, 1%, 0204, E24	0	R 307	57.60.1563		56k	MF, 1%, 0204, E24
0	R 202	57.60.1470		47R	MF, 1%, 0204, E24	0	R 308	57.60.1563		56k	MF, 1%, 0204, E24
0	R 203	57.60.1391		390R	MF, 1%, 0204, E24	0	R 309	57.60.1154		150k	MF, 1%, 0204, E24
0	R 204	57.60.1103		10k	MF, 1%, 0204, E24	0	R 310	57.60.1470		47R	MF, 1%, 0204, E24
0	R 205	57.60.1103		10k	MF, 1%, 0204, E24	0	R 311	57.60.1473		47k	MF, 1%, 0204, E24
0	R 206	57.60.1272		2k7	MF, 1%, 0204, E24	0	R 312	57.60.1103		10k	MF, 1%, 0204, E24
0	R 207	57.60.1563		56k	MF, 1%, 0204, E24	0	R 313	57.60.1103		10k	MF, 1%, 0204, E24
0	R 208	57.60.1563		56k	MF, 1%, 0204, E24	0	R 314	57.60.1473		47k	MF, 1%, 0204, E24
0	R 209	57.60.1154		150k	MF, 1%, 0204, E24	0	R 315	57.60.1103		10k	MF, 1%, 0204, E24
0	R 210	57.60.1470		47R	MF, 1%, 0204, E24	0	R 316	57.69.2002		6k8	MF 0.1% 25ppm 0204
0	R 211	57.60.1473		47k	MF, 1%, 0204, E24	0	R 317	57.69.2002		6k8	MF 0.1% 25ppm 0204
0	R 212	57.60.1103		10k	MF, 1%, 0204, E24	0	R 318	57.60.1682		6k8	MF, 1%, 0204, E24
0	R 213	57.60.1103		10k	MF, 1%, 0204, E24	0	R 319	57.60.1103		10k	MF, 1%, 0204, E24
0	R 214	57.60.1473		47k	MF, 1%, 0204, E24	0	R 320	57.60.1272		2k7	MF, 1%, 0204, E24
0	R 215	57.60.1103		10k	MF, 1%, 0204, E24	0	R 321	57.60.1683		68k	MF, 1%, 0204, E24
0	R 216	57.69.2002		6k8	MF 0.1% 25ppm 0204	0	R 322	57.60.1122		1k2	MF, 1%, 0204, E24
0	R 217	57.69.2002		6k8	MF 0.1% 25ppm 0204	0	R 323	57.60.1101		100R	MF, 1%, 0204, E24
0	R 218	57.60.1682		6k8	MF, 1%, 0204, E24	0	R 324	57.60.1102		1k0	MF, 1%, 0204, E24
0	R 219	57.60.1103		10k	MF, 1%, 0204, E24	0	R 325	57.60.1102		1k0	MF, 1%, 0204, E24
0	R 220	57.60.1272		2k7	MF, 1%, 0204, E24	0	R 326	not used		1k0	MF, 1%, 0204, E24
0	R 221	57.60.1683		68k	MF, 1%, 0204, E24	0	R 327	57.60.1104		100k	MF, 1%, 0204, E24
0	R 222	57.60.1122		1k2	MF, 1%, 0204, E24	0	R 328	57.60.1122		1k2	MF, 1%, 0204, E24
0	R 223	57.60.1101		100R	MF, 1%, 0204, E24	0	R 329	57.60.1102		1k0	MF, 1%, 0204, E24
0	R 224	57.60.1102		1k0	MF, 1%, 0204, E24	0	R 330	57.60.1471		470R	MF, 1%, 0204, E24
0	R 225	57.60.1102		1k0	MF, 1%, 0204, E24	0	R 331	57.60.1821		820R	MF, 1%, 0204, E24
0	R 226	not used		1k0	MF, 1%, 0204, E24	0	R 332	57.60.1561		560R	MF, 1%, 0204, E24
0	R 227	57.60.1104		100k	MF, 1%, 0204, E24	0	R 333	57.60.1560		56R	MF, 1%, 0204, E24
0	R 228	57.60.1122		1k2	MF, 1%, 0204, E24	0	R 334	57.60.1223		22k	MF, 1%, 0204, E24
0	R 229	57.60.1102		1k0	MF, 1%, 0204, E24	0	R 335	57.60.1151		150R	MF, 1%, 0204, E24
0	R 230	57.60.1471		470R	MF, 1%, 0204, E24	0	R 336	57.60.1821		820R	MF, 1%, 0204, E24
0	R 231	57.60.1821		820R	MF, 1%, 0204, E24	0	R 337	57.60.1102		1k0	MF, 1%, 0204, E24
0	R 232	57.60.1561		560R	MF, 1%, 0204, E24	0	R 338	57.60.1681		680R	MF, 1%, 0204, E24
0	R 233	57.60.1560		56R	MF, 1%, 0204, E24	0	R 339	57.60.1123		12k	MF, 1%, 0204, E24
0	R 234	57.60.1223		22k	MF, 1%, 0204, E24	0	R 340	57.60.1103		10k	MF, 1%, 0204, E24
0	R 235	57.60.1151		150R	MF, 1%, 0204, E24	0	R 341	57.60.1391		390R	MF, 1%, 0204, E24
0	R 236	57.60.1821		820R	MF, 1%, 0204, E24	0	R 342	57.60.1330		33R	MF, 1%, 0204, E24
0	R 237	57.60.1102		1k0	MF, 1%, 0204, E24	0	R 343	57.60.1561		560R	MF, 1%, 0204, E24
0	R 238	57.60.1681		680R	MF, 1%, 0204, E24	0	R 344	57.60.1561		560R	MF, 1%, 0204, E24
0	R 239	57.60.1123		12k	MF, 1%, 0204, E24	0	R 345	57.60.1151		150R	MF, 1%, 0204, E24
0	R 240	57.60.1103		10k	MF, 1%, 0204, E24	0	R 346	57.60.1121		120R	MF, 1%, 0204, E24
0	R 241	57.60.1391		390R	MF, 1%, 0204, E24	0	R 347	57.60.1473		47k	MF, 1%, 0204, E24
0	R 242	57.60.1330		33R	MF, 1%, 0204, E24	0	R 348	57.60.1392		3k9	MF, 1%, 0204, E24
0	R 243	57.60.1561		560R	MF, 1%, 0204, E24	0	R 350	57.60.1681		680R	MF, 1%, 0204, E24
0	R 244	57.60.1561		560R	MF, 1%, 0204, E24	0	R 351	57.60.1182		1k8	MF, 1%, 0204, E24
0	R 245	57.60.1151		150R	MF, 1%, 0204, E24	0	R 352	57.60.1152		1k5	MF, 1%, 0204, E24
0	R 246	57.60.1121		120R	MF, 1%, 0204, E24	0	R 353	57.60.1102		1k0	MF, 1%, 0204, E24
0	R 247	57.60.1473		47k	MF, 1%, 0204, E24	0	R 356	57.60.1182		1k8	MF, 1%, 0204, E24
0	R 248	57.60.1392		390R	MF, 1%, 0204, E24	0	R 357	57.60.1471		470R	MF, 1%, 0204, E24
0	R 250	57.60.1681		680R	MF, 1%, 0204, E24	0	R 358	57.60.1221		220R	MF, 1%, 0204, E24
0	R 251	57.60.1182		1k8	MF, 1%, 0204, E24	0	R 359	57.60.1221		220R	MF, 1%, 0204, E24
0	R 252	57.60.1152		1k5	MF, 1%, 0204, E24	0	R 360	57.60.1102		1k0	MF, 1%, 0204, E24
0	R 253	57.60.1102		1k0	MF, 1%, 0204, E24	0	R 361	57.60.1104		100k	MF, 1%, 0204, E24
0	R 256	57.60.1182		1k8	MF, 1%, 0204, E24	0	R 362	57.60.1103		10k	MF, 1%, 0204, E24
0	R 257	57.60.1471		470R	MF, 1%, 0204, E24	0	R 363	57.60.1152		1k5	MF, 1%, 0204, E24
0	R 258	57.60.1221		220R	MF, 1%, 0204, E24	0	R 364	57.60.1472		4k7	MF, 1%, 0204, E24
0	R 259	57.60.1221		220R	MF, 1%, 0204, E24	0	R 365	57.60.1225		2M2	MF, 1%, 0204, E24
0	R 260	57.60.1102		1k0	MF, 1%, 0204, E24	0	R 367	57.60.1153		15k	MF, 1%, 0204, E24
0	R 261	57.60.1104		100k	MF, 1%, 0204, E24	0	R 369	57.60.1222		2k2	MF, 1%, 0204, E24
0	R 262	57.60.1103		10k	MF, 1%, 0204, E24	0	R 370	57.60.1682		6k8	MF, 1%, 0204, E24
0	R 263	57.60.1152		1k5	MF, 1%, 0204, E24	0	R 371	57.60.1154		150k	MF, 1%, 0204, E24
0	R 264	57.60.1472		4k7	MF, 1%, 0204, E24	0	R 372	57.60.1562		5k6	MF, 1%, 0204, E24
0	R 265	57.60.1225		2M2	MF, 1%, 0204, E24	0	R 373	57.60.1000		0R0	MF, 0204
0	R 267	57.60.1153		15k	MF, 1%, 0204, E24	0	R 374	not used		0R0	MF, 0204
0	R 269	57.60.1222		2k2	MF, 1%, 0204, E24	0	R 375	57.60.1682		6k8	MF, 1%, 0204, E24
0	R 270	57.60.1682		6k8	MF, 1%, 0204, E24	0	R 376	57.60.1103		10k	MF, 1%, 0204, E24
0	R 271	57.60.1154		150k	MF, 1%, 0204, E24	0	R 378	57.60.1104		100k	MF, 1%, 0204, E24
0	R 272	57.60.1562		5k6	MF, 1%, 0204, E24	0	R 379	57.60.1391		390R	MF, 1%, 0204, E24
0	R 273	57.60.1000		0R0	MF, 0204	0	R 381	57.60.1103		10k	MF, 1%, 0204, E24
0	R 274	not used		0R0	MF, 0204	0	R 382	57.60.1273		27k	MF, 1%, 0204, E24
0	R 275	57.60.1682		6k8	MF, 1%, 0204, E24	0	R 384	57.60.1105		1M	MF, 1%, 0204, E24
0	R 276	57.60.1103		10k	MF, 1%, 0204, E24	0	R 386	57.60.1272		2k7	MF, 1%, 0204, E24
0	R 278	57.60.1104		100k	MF, 1%, 0204, E24	0	R 391	57.60.1106		10M	MF, 1%, 0204, E24
0	R 279	57.60.1391		390R	MF, 1%, 0204, E24	0	R 393	57.60.1102		1k0	MF, 1%, 0204, E24
0	R 281	57.60.1103		10k	MF, 1%, 0204, E24	0	R 398	57.60.1102		1k0	MF, 1%, 0204, E24
0	R 282	57.60.1273		27k	MF, 1%, 0204, E24	0	R 399	57.60.1473		47k	MF, 1%, 0204, E24
0	R 284	57.60.1105		1M	MF, 1%, 0204, E24	0	R 401	57.60.1123		12k	MF, 1%, 0204, E24
0	R 286	57.60.1272		2k7	MF, 1%, 0204, E24	0	R 402	57.60.1470		47R	MF, 1%, 0204, E24
0	R 291	57.60.1106		10M	MF, 1%, 0204, E24	0	R 403	57.60.1391		390R	MF, 1%, 0204, E24

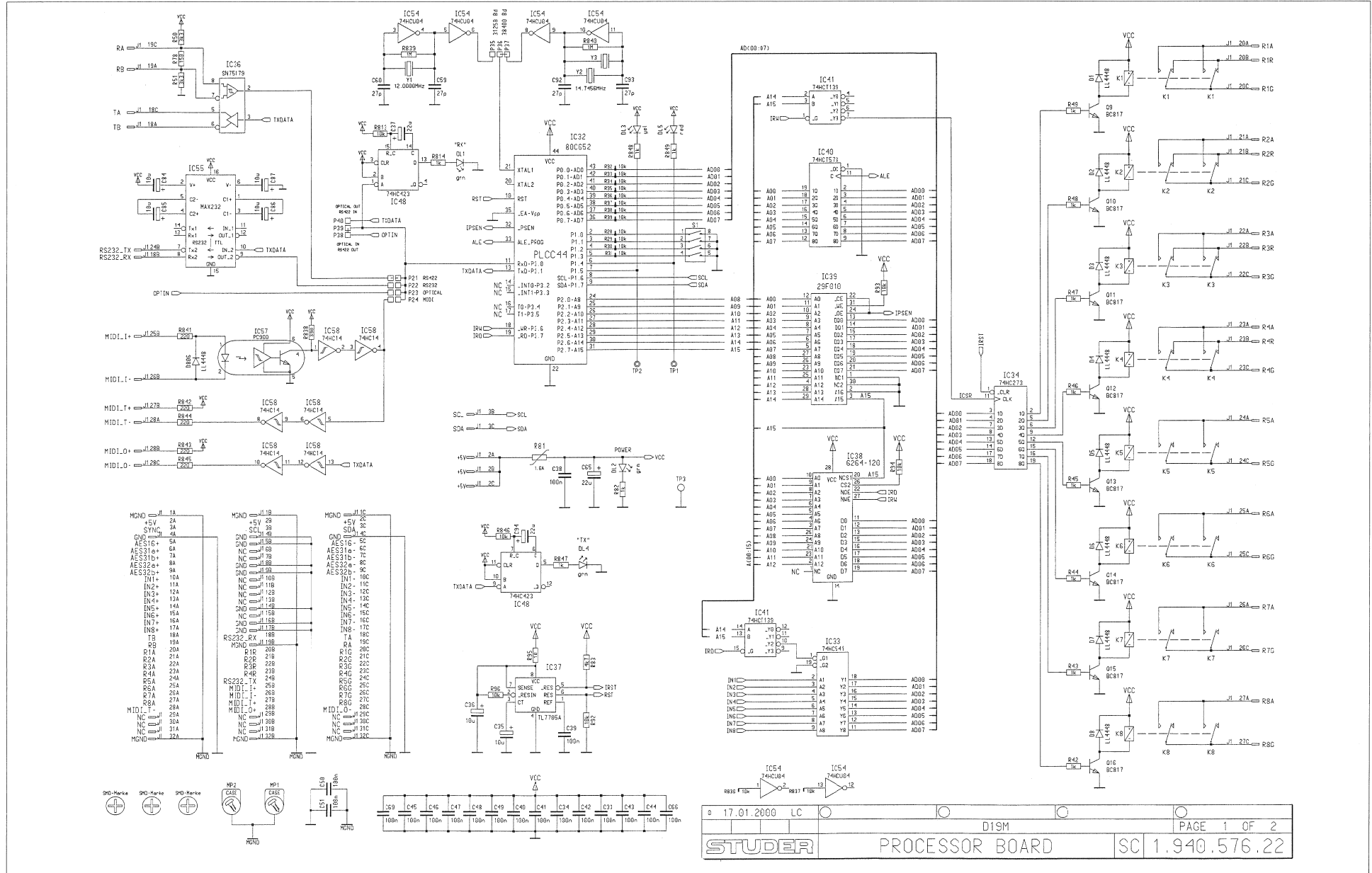
D19m Mic Line Input Board 1.940.575.22 (3)

Idx.	Pos.	Part No.	Qty.	Type/Val.	Description	Idx.	Pos.	Part No.	Qty.	Type/Val.	Description
0	R 404	57.60.1103		10k	MF, 1%, 0204, E24	0	TP 2	54.33.6010		2.8*0.8	PCB-Flachstecker, gerade
0	R 405	57.60.1103		10k	MF, 1%, 0204, E24	0	XDL 1	50.20.2501		Spacer	LED-Socket
0	R 406	57.60.1272		2k7	MF, 1%, 0204, E24	0	XIC 1	53.03.2232		32p	PLCC-Socket
0	R 407	57.60.1563		56k	MF, 1%, 0204, E24	0	XIC 10	53.03.0166		8p	DIL 0.3", lot, gerade
0	R 408	57.60.1563		56k	MF, 1%, 0204, E24	0	XIC 11	53.03.0166		8p	DIL 0.3", lot, gerade
0	R 409	57.60.1154		150k	MF, 1%, 0204, E24	0	XIC 20	53.03.0166		8p	DIL 0.3", lot, gerade
0	R 410	57.60.1470		47R	MF, 1%, 0204, E24	0	XIC 21	53.03.0166		8p	DIL 0.3", lot, gerade
0	R 411	57.60.1473		47k	MF, 1%, 0204, E24	0	XIC 30	53.03.0166		8p	DIL 0.3", lot, gerade
0	R 412	57.60.1103		10k	MF, 1%, 0204, E24	0	XIC 31	53.03.0166		8p	DIL 0.3", lot, gerade
0	R 413	57.60.1103		10k	MF, 1%, 0204, E24	0	XIC 40	53.03.0166		8p	DIL 0.3", lot, gerade
0	R 414	57.60.1473		47k	MF, 1%, 0204, E24	0	XIC 41	53.03.0166		8p	DIL 0.3", lot, gerade
0	R 415	57.60.1103		10k	MF, 1%, 0204, E24	0	Y 1	89.60.1003		12.000MHz	SMD Quartz
0	R 416	57.69.2002		6k8	MF 0.1% 25ppm 0204						
0	R 417	57.69.2002		6k8	MF 0.1% 25ppm 0204						
0	R 418	57.60.1682		6k8	MF, 1%, 0204, E24						
0	R 419	57.60.1103		10k	MF, 1%, 0204, E24						
0	R 420	57.60.1272		2k7	MF, 1%, 0204, E24						
0	R 421	57.60.1683		68k	MF, 1%, 0204, E24						
0	R 422	57.60.1122		1k2	MF, 1%, 0204, E24						
0	R 423	57.60.1101		100R	MF, 1%, 0204, E24						
0	R 424	57.60.1102		1k0	MF, 1%, 0204, E24						
0	R 425	57.60.1102		1k0	MF, 1%, 0204, E24						
0	R 426	not used		1k0	MF, 1%, 0204, E24						
0	R 427	57.60.1104		100k	MF, 1%, 0204, E24						
0	R 428	57.60.1122		1k2	MF, 1%, 0204, E24						
0	R 429	57.60.1102		1k0	MF, 1%, 0204, E24						
0	R 430	57.60.1471		470R	MF, 1%, 0204, E24						
0	R 431	57.60.1821		820R	MF, 1%, 0204, E24						
0	R 432	57.60.1561		560R	MF, 1%, 0204, E24						
0	R 433	57.60.1560		56R	MF, 1%, 0204, E24						
0	R 434	57.60.1223		22k	MF, 1%, 0204, E24						
0	R 435	57.60.1151		150R	MF, 1%, 0204, E24						
0	R 436	57.60.1821		820R	MF, 1%, 0204, E24						
0	R 437	57.60.1102		1k0	MF, 1%, 0204, E24						
0	R 438	57.60.1681		680R	MF, 1%, 0204, E24						
0	R 439	57.60.1123		12k	MF, 1%, 0204, E24						
0	R 440	57.60.1103		10k	MF, 1%, 0204, E24						
0	R 441	57.60.1391		390R	MF, 1%, 0204, E24						
0	R 442	57.60.1330		33R	MF, 1%, 0204, E24						
0	R 443	57.60.1561		560R	MF, 1%, 0204, E24						
0	R 444	57.60.1561		560R	MF, 1%, 0204, E24						
0	R 445	57.60.1151		150R	MF, 1%, 0204, E24						
0	R 446	57.60.1121		120R	MF, 1%, 0204, E24						
0	R 447	57.60.1473		47k	MF, 1%, 0204, E24						
0	R 448	57.60.1392		3k9	MF, 1%, 0204, E24						
0	R 450	57.60.1681		680R	MF, 1%, 0204, E24						
0	R 451	57.60.1182		1k8	MF, 1%, 0204, E24						
0	R 452	57.60.1152		1k5	MF, 1%, 0204, E24						
0	R 453	57.60.1102		1k0	MF, 1%, 0204, E24						
0	R 456	57.60.1182		1k8	MF, 1%, 0204, E24						
0	R 457	57.60.1471		470R	MF, 1%, 0204, E24						
0	R 458	57.60.1221		220R	MF, 1%, 0204, E24						
0	R 459	57.60.1221		220R	MF, 1%, 0204, E24						
0	R 460	57.60.1102		1k0	MF, 1%, 0204, E24						
0	R 461	57.60.1104		100k	MF, 1%, 0204, E24						
0	R 462	57.60.1103		10k	MF, 1%, 0204, E24						
0	R 463	57.60.1152		1k5	MF, 1%, 0204, E24						
0	R 464	57.60.1472		4k7	MF, 1%, 0204, E24						
0	R 465	57.60.1225		2M2	MF, 1%, 0204, E24						
0	R 467	57.60.1153		15k	MF, 1%, 0204, E24						
0	R 469	57.60.1222		2k2	MF, 1%, 0204, E24						
0	R 470	57.60.1682		6k8	MF, 1%, 0204, E24						
0	R 471	57.60.1154		150k	MF, 1%, 0204, E24						
0	R 472	57.60.1562		5k6	MF, 1%, 0204, E24						
0	R 473	57.60.1000		0R0	MF, 0204						
0	R 474	not used		0R0	MF, 0204						
0	R 475	57.60.1682		6k8	MF, 1%, 0204, E24						
0	R 476	57.60.1103		10k	MF, 1%, 0204, E24						
0	R 478	57.60.1104		100k	MF, 1%, 0204, E24						
0	R 479	57.60.1391		390R	MF, 1%, 0204, E24						
0	R 481	57.60.1103		10k	MF, 1%, 0204, E24						
0	R 482	57.60.1273		27k	MF, 1%, 0204, E24						
0	R 484	57.60.1105		1M	MF, 1%, 0204, E24						
0	R 486	57.60.1272		2k7	MF, 1%, 0204, E24						
0	R 491	57.60.1106		10M	MF, 1%, 0204, E24						
0	R 493	57.60.1102		1k0	MF, 1%, 0204, E24						
0	R 498	57.60.1102		1k0	MF, 1%, 0204, E24						
0	R 499	57.60.1473		47k	MF, 1%, 0204, E24						
0	RA 101	58.05.1202		2k0	10%, 0.5W, Cermet						
0	RA 201	58.05.1202		2k0	10%, 0.5W, Cermet						
0	RA 301	58.05.1202		2k0	10%, 0.5W, Cermet						
0	RA 401	58.05.1202		2k0	10%, 0.5W, Cermet						
0	T 1	1.022.653.00			TRAFO VF-DISPLAY						
0	T 101	1.022.461.00			HIGH-LEVEL MIC INPUT						
0	T 201	1.022.461.00			HIGH-LEVEL MIC INPUT						
0	T 301	1.022.461.00			HIGH-LEVEL MIC INPUT						
0	T 401	1.022.461.00			HIGH-LEVEL MIC INPUT						

End of List

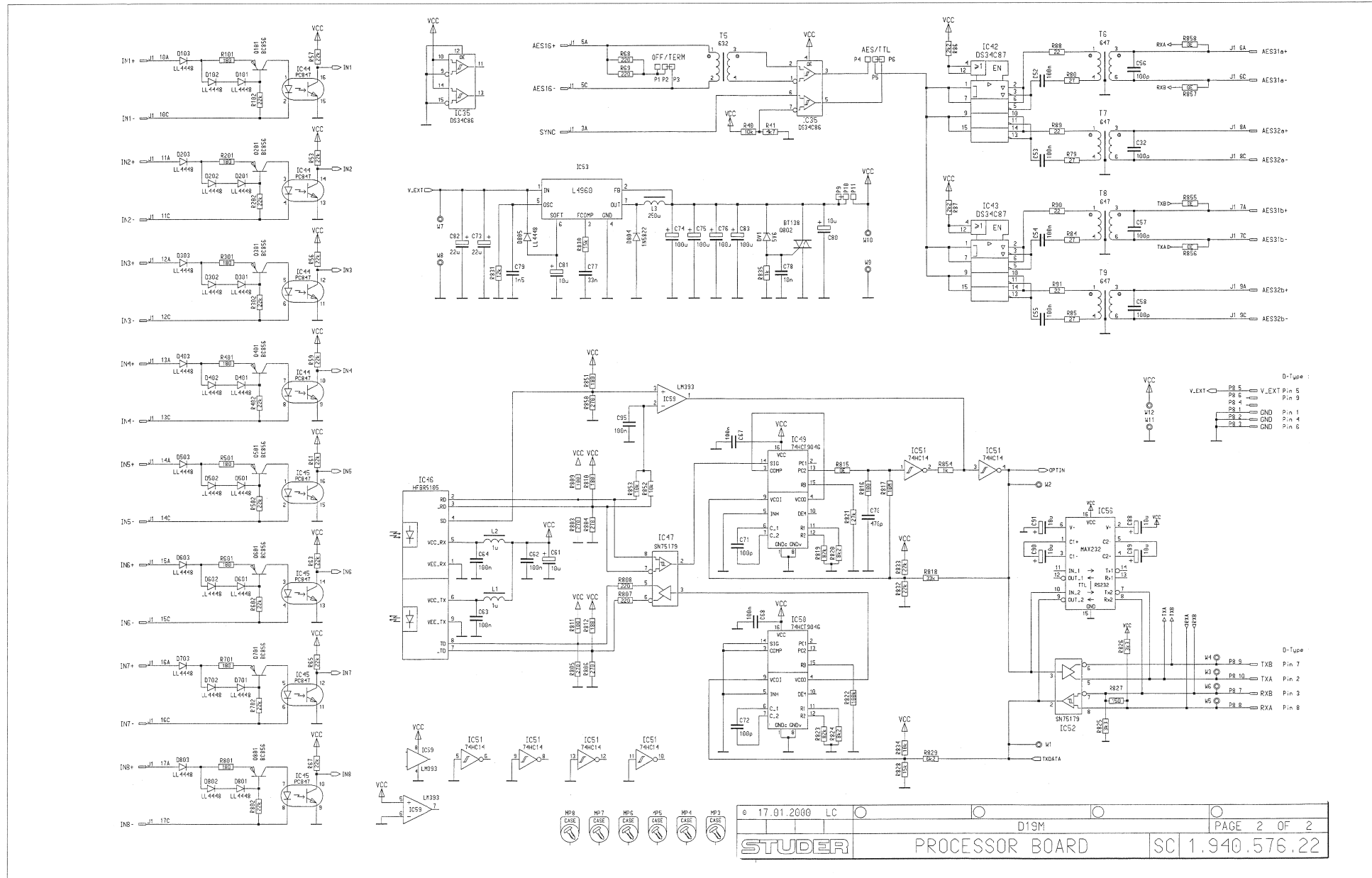
- (1) C104,C204,C304,C404 changed to 22pF
Additional:MP20
- (2) 12.04.00 MP 17 not used
- (3) Improved limiter performance: R32 changed to 12k

Processor Board 1.940.576.22





Processor Board 1.940.576.22





Processor Board 1.940.576.23

Idx	Pos.	Part No.	Qty.	Type/Val.	Description	Idx	Pos.	Part No.	Qty.	Type/Val.	Description	Idx	Pos.	Part No.	Qty.	Type/Val.	Description	Idx	Pos.	Part No.	Qty.	Type/Val.	Description	
0	C 32	59.60.2249	100p	CER 50V, 5%, COG, 0903		0	D 403	50.60.8001	4448	200mA	75V 4ns SOD 80	0	R 86	57.60.1222	2K2	MF, 1%, 0204, E24	0	R 86	57.60.1222	2K2	MF, 1%, 0204, E24			
0	C 33	59.60.3337	100n	CER 50V, 10%, X7R, 0805		0	D 501	50.60.8001	4448	200mA	75V 4ns SOD 80	0	R 87	57.60.1222	2K2	MF, 1%, 0204, E24	0	R 87	57.60.1222	2K2	MF, 1%, 0204, E24			
0	C 34	59.60.3337	100n	CER 50V, 10%, X7R, 0805		0	D 502	50.60.8001	4448	200mA	75V 4ns SOD 80	0	R 88	57.60.1220	22R	MF, 1%, 0204, E24	0	R 88	57.60.1220	22R	MF, 1%, 0204, E24			
0	C 35	59.68.0065	10u	EL 16V, 4.0*5.7		0	D 503	50.60.8001	4448	200mA	75V 4ns SOD 80	0	R 89	57.60.1220	22R	MF, 1%, 0204, E24	0	R 89	57.60.1220	22R	MF, 1%, 0204, E24			
0	C 36	59.68.0065	10u	EL 16V, 4.0*5.7		0	D 601	50.60.8001	4448	200mA	75V 4ns SOD 80	0	R 90	57.60.1220	22R	MF, 1%, 0204, E24	0	R 90	57.60.1220	22R	MF, 1%, 0204, E24			
0	C 37	59.68.0067	22u	EL 16V, 5.0*5.7		0	D 602	50.60.8001	4448	200mA	75V 4ns SOD 80	0	R 91	57.60.1220	22R	MF, 1%, 0204, E24	0	R 91	57.60.1220	22R	MF, 1%, 0204, E24			
0	C 38	59.60.3337	100n	CER 50V, 10%, X7R, 0805		0	D 503	50.60.8001	4448	200mA	75V 4ns SOD 80	0	R 92	57.60.1103	10K	MF, 1%, 0204, E24	0	R 92	57.60.1103	10K	MF, 1%, 0204, E24			
0	C 39	59.60.3337	100n	CER 50V, 10%, X7R, 0805		0	D 701	50.60.8001	4448	200mA	75V 4ns SOD 80	0	R 93	57.60.1103	10K	MF, 1%, 0204, E24	0	R 93	57.60.1103	10K	MF, 1%, 0204, E24			
0	C 40	59.60.3337	100n	CER 50V, 10%, X7R, 0805		0	D 702	50.60.8001	4448	200mA	75V 4ns SOD 80	0	R 94	57.60.1103	10K	MF, 1%, 0204, E24	0	R 94	57.60.1103	10K	MF, 1%, 0204, E24			
0	C 41	59.60.3337	100n	CER 50V, 10%, X7R, 0805		0	D 703	50.60.8001	4448	200mA	75V 4ns SOD 80	0	R 95	57.60.1100	10R	MF, 1%, 0204, E24	0	R 95	57.60.1100	10R	MF, 1%, 0204, E24			
0	C 42	59.60.3337	100n	CER 50V, 10%, X7R, 0805		0	D 801	50.60.8001	4448	200mA	75V 4ns SOD 80	0	R 96	57.60.1103	10K	MF, 1%, 0204, E24	0	R 96	57.60.1103	10K	MF, 1%, 0204, E24			
0	C 43	59.60.3337	100n	CER 50V, 10%, X7R, 0805		0	D 802	50.60.8001	4448	200mA	75V 4ns SOD 80	0	R 101	57.60.1181	180R	MF, 1%, 0204, E24	0	R 101	57.60.1181	180R	MF, 1%, 0204, E24			
0	C 44	59.60.3337	100n	CER 50V, 10%, X7R, 0805		0	D 803	50.60.8001	4448	200mA	75V 4ns SOD 80	0	R 102	57.60.1223	22K	MF, 1%, 0204, E24	0	R 102	57.60.1223	22K	MF, 1%, 0204, E24			
0	C 45	59.60.3337	100n	CER 50V, 10%, X7R, 0805		0	D 804	not used	1N5822	3A, Schottky		0	R 201	57.60.1181	180R	MF, 1%, 0204, E24	0	R 201	57.60.1181	180R	MF, 1%, 0204, E24			
0	C 46	59.60.3337	100n	CER 50V, 10%, X7R, 0805		0	D 805	not used	4448	200mA 75V 4ns SOD 80		0	R 202	57.60.1223	22K	MF, 1%, 0204, E24	0	R 202	57.60.1223	22K	MF, 1%, 0204, E24			
0	C 47	59.60.3337	100n	CER 50V, 10%, X7R, 0805		0	D 806	50.60.8001	4448	200mA 75V 4ns SOD 80		0	R 301	57.60.1181	180R	MF, 1%, 0204, E24	0	R 301	57.60.1181	180R	MF, 1%, 0204, E24			
0	C 48	59.60.3337	100n	CER 50V, 10%, X7R, 0805		0	DL 1	50.04.2202	HLVP1790	DL HLVP-1790 GN		0	R 302	57.60.1223	22K	MF, 1%, 0204, E24	0	R 302	57.60.1223	22K	MF, 1%, 0204, E24			
0	C 49	59.60.3337	100n	CER 50V, 10%, X7R, 0805		0	DL 2	50.04.2202	HLVP1790	DL HLVP-1790 GN		0	R 401	57.60.1181	180R	MF, 1%, 0204, E24	0	R 401	57.60.1181	180R	MF, 1%, 0204, E24			
0	C 50	59.60.3337	100n	CER 50V, 10%, X7R, 0805		0	DL 3	not used	TLUY 2401	DL TLUY 2401 GB MATT		0	R 402	57.60.1223	22K	MF, 1%, 0204, E24	0	R 402	57.60.1223	22K	MF, 1%, 0204, E24			
0	C 51	59.60.3337	100n	CER 50V, 10%, X7R, 0805		0	DL 4	not used	TLUG 2401	DL TLUG 2401 GN MATT		0	R 501	57.60.1181	180R	MF, 1%, 0204, E24	0	R 501	57.60.1181	180R	MF, 1%, 0204, E24			
0	C 52	59.60.3337	100n	CER 50V, 10%, X7R, 0805		0	DL 5	not used	TLUR 2401	DL TLUR 2401 RT MATT		0	R 502	57.60.1223	22K	MF, 1%, 0204, E24	0	R 502	57.60.1223	22K	MF, 1%, 0204, E24			
0	C 53	59.60.3337	100n	CER 50V, 10%, X7R, 0805		0	DL 5	not used				0	R 601	57.60.1181	180R	MF, 1%, 0204, E24	0	R 601	57.60.1181	180R	MF, 1%, 0204, E24			
0	C 54	59.60.3337	100n	CER 50V, 10%, X7R, 0805		0	DV 1	not used	5V8	5%, 0.2W, SOT 23		0	R 602	57.60.1223	22K	MF, 1%, 0204, E24	0	R 602	57.60.1223	22K	MF, 1%, 0204, E24			
0	C 55	59.60.3337	100n	CER 50V, 10%, X7R, 0805		0	IC 32	50.63.0009	80C852	MPU 8bit		0	R 701	57.60.1181	180R	MF, 1%, 0204, E24	0	R 701	57.60.1181	180R	MF, 1%, 0204, E24			
0	C 56	59.60.2249	100p	CER 50V, 5%, COG, 0903		0	IC 33	50.62.1541	74HC541	Octal buffer line driver/fceel		0	R 702	57.60.1223	22K	MF, 1%, 0204, E24	0	R 702	57.60.1223	22K	MF, 1%, 0204, E24			
0	C 57	59.60.2249	100p	CER 50V, 5%, COG, 0903		0	IC 34	50.62.1273	74HC273	Octal D-FF with reset		0	R 801	57.60.1181	180R	MF, 1%, 0204, E24	0	R 801	57.60.1181	180R	MF, 1%, 0204, E24			
0	C 58	59.60.2249	100p	CER 50V, 5%, COG, 0903		0	IC 35	50.62.0463	DS84C26	4*RS 422 Line Receiver		0	R 802	57.60.1223	22K	MF, 1%, 0204, E24	0	R 802	57.60.1223	22K	MF, 1%, 0204, E24			
0	C 59	59.60.2235	27p	CER 50V, 5%, COG, 0903		0	IC 36	50.15.0128	75179B	IC SN 75179B P		0	R 803	57.60.1271	270R	MF, 1%, 0204, E24	0	R 803	57.60.1271	270R	MF, 1%, 0204, E24			
0	C 60	59.60.2235	27p	CER 50V, 5%, COG, 0903		0	IC 37	50.63.2001	7795B	Reset Generator		0	R 804	57.60.1271	270R	MF, 1%, 0204, E24	0	R 804	57.60.1271	270R	MF, 1%, 0204, E24			
0	C 61	59.68.0065	10u	EL 16V, 4.0*5.7		0	IC 38	50.63.1502	6284	SRAM 8K*8, 120ns		0	R 805	57.60.1271	270R	MF, 1%, 0204, E24	0	R 805	57.60.1271	270R	MF, 1%, 0204, E24			
0	C 62	59.60.3337	100n	CER 50V, 10%, X7R, 0805		0	IC 39	1.940.982.22	SW 576 Control (50.63.1303)		0	R 806	57.60.1221	220R	MF, 1%, 0204, E24	0	R 806	57.60.1221	220R	MF, 1%, 0204, E24				
0	C 63	59.60.3337	100n	CER 50V, 10%, X7R, 0805		0	IC 40	50.62.3573	74HCT573	Octal D-type flip flop		0	R 807	57.60.1221	220R	MF, 1%, 0204, E24	0	R 807	57.60.1221	220R	MF, 1%, 0204, E24			
0	C 64	59.60.3337	100n	CER 50V, 10%, X7R, 0805		0	IC 41	50.62.3139	74HCT139	Dual 2/16 4 line decoder		0	R 808	57.60.1181	180R	MF, 1%, 0204, E24	0	R 808	57.60.1181	180R	MF, 1%, 0204, E24			
0	C 65	59.68.0067	22u	EL 16V, 5.0*5.7		0	IC 42	50.15.0127	34C87	IC DS 34 C 37 TN, MC34C87P, A		0	R 809	57.60.1181	180R	MF, 1%, 0204, E24	0	R 809	57.60.1181	180R	MF, 1%, 0204, E24			
0	C 66	59.60.3337	100n	CER 50V, 10%, X7R, 0805		0	IC 43	50.15.0128	34C87	IC DS 34 C 37 TN, MC34C87P, A		0	R 810	57.60.1181	180R	MF, 1%, 0204, E24	0	R 810	57.60.1181	180R	MF, 1%, 0204, E24			
0	C 67	59.60.3337	100n	CER 50V, 10%, X7R, 0805		0	IC 44	50.04.2137	PC847	DLQ PC-847, EE-CM 4		0	R 811	57.60.1181	180R	MF, 1%, 0204, E24	0	R 811	57.60.1181	180R	MF, 1%, 0204, E24			
0	C 68	59.60.3337	100n	CER 50V, 10%, X7R, 0805		0	IC 45	50.04.2138	PC847	DLQ PC-847, EE-CM 4		0	R 812	57.60.1181	180R	MF, 1%, 0204, E24	0	R 812	57.60.1181	180R	MF, 1%, 0204, E24			
0	C 69	59.60.3337	100n	CER 50V, 10%, X7R, 0805		0	IC 46	89.10.0021	HF3R5105	LWL Transceiver FDDI/MADI		0	R 813	57.60.1103	10K	MF, 1%, 0204, E24	0	R 813	57.60.1103	10K	MF, 1%, 0204, E24			
0	C 70	59.60.2365	470p	CER 50V, 5%, COG, 0905		0	IC 47	50.15.0126	75179B	IC SN 75179B P		0	R 814	57.60.1102	1K	MF, 1%, 0204, E24	0	R 814	57.60.1102	1K	MF, 1%, 0204, E24			
0	C 71	59.60.2249	100p	CER 50V, 5%, COG, 0903		0	IC 48	50.62.1423	74HC423	Dual multivibrator monost retrigger		0	R 815	57.60.1000	0R0	MF, 1%, 0204, E24	0	R 815	57.60.1000	0R0	MF, 1%, 0204, E24			
0	C 72	59.60.2249	100p	CER 50V, 5%, COG, 0903		0	IC 49	50.62.4946	74HCT9046	PLL with bandgap contr VCO		0	R 816	57.60.1101	100R	MF, 1%, 0204, E24	0	R 816	57.60.1101	100R	MF, 1%, 0204, E24			
0	C 73	not used	22u	EL 35V, 6.3*5.7		0	IC 50	50.62.4946	74HCT9046	PLL with bandgap contr VCO		0	R 817	57.60.1101	100R	MF, 1%, 0204, E24	0	R 817	57.60.1101	100R	MF, 1%, 0204, E24			
0	C 74	not used	100u	EL 16V, 4.0*5.7		0	IC 51	50.62.1014	74HC 14	Hex Schmitt trigger inverter														



Processor Board I.940.576.23

Idx	Pos.	Part No.	Qty.	Type/Val.	Description
0	R 855	not used		0R0	MF, 0204
0	R 856	not used		0R0	MF, 0204
0	R 857	not used		0R0	MF, 0204
0	R 858	not used		0R0	MF, 0204
0	S 1	55.01.0104		4*a	3Z , 4*A, DIL
0	T 5	1.022.632.00		1:1	DI/DO TRANSFORMER
0	T 6	1.022.647.00		1:1.4	OUTPUT TRAF0 AES/EBU
0	T 7	1.022.647.00		1:1.4	OUTPUT TRAF0 AES/EBU
0	T 8	1.022.647.00		1:1.4	OUTPUT TRAF0 AES/EBU
0	T 9	1.022.647.00		1:1.4	OUTPUT TRAF0 AES/EBU
0	TP 3	54.33.6010		2.8*0.8	PCB-Flachstecker, gerade
0	XDL 1	50.20.2501		Spacer	LED-Sockel
0	XDL 2	50.20.2501		Spacer	LED-Sockel
0	XIC 36	53.03.0166		8p	DIL 0.3", löt, gerade
0	XIC 39	53.03.2232		32p	PLCC-Socket
0	XIC 52	not used		8p	DIL 0.3", löt, gerade
0	XIC 55	53.03.0168		16p	DIL 0.3", löt, gerade
0	XIC 56	not used		16p	DIL 0.3", löt, gerade
0	Y 1	89.60.1003		12.000MHz	SMD Quartz
0	Y 2	89.60.1007		14.7456MHz	SMD Quartz
0	Y 3	not used		12.000MHz	XTAL HC 49/U

End of List

Comments



D19m AESI Board I.940.580.21

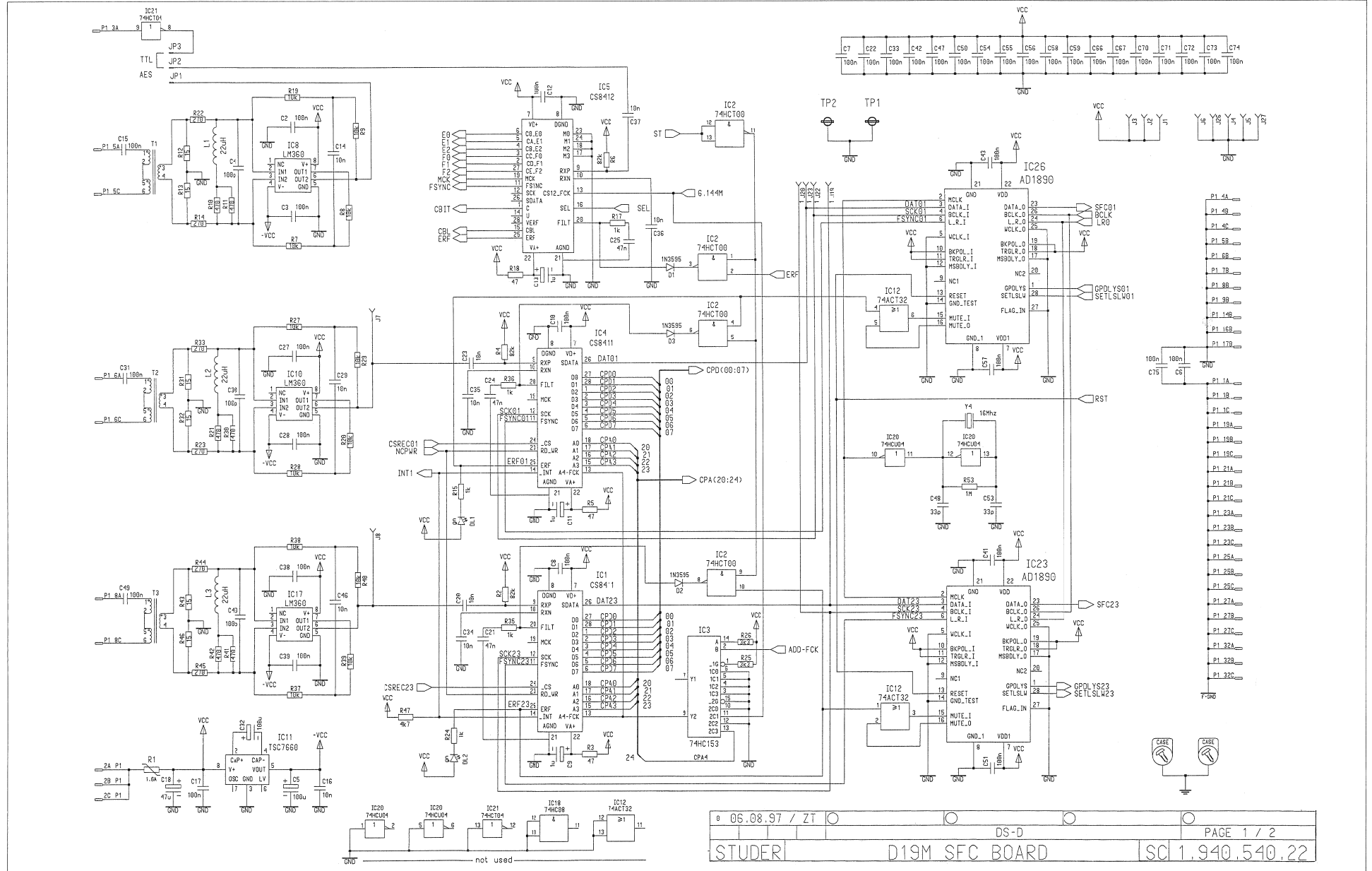
Idx.	Pos.	Part No.	Qty.	Type/Val.	Description	Idx.	Pos.	Part No.	Qty.	Type/Val.	Description
0	C 1	59.06.0104		100n	PETP, 10%, 63V	0	R 16	57.11.3103		10k	MF, 1%, 0207
0	C 2	59.06.0104		100n	PETP, 10%, 63V	0	R 17	57.11.3105		1M0	MF, 1%, 0207
0	C 3	59.22.5220		22u	EL 25V, 20%, rad RM5	0	R 18	57.11.3103		10k	MF, 1%, 0207
0	C 4	59.06.0104		100n	PETP, 10%, 63V	0	R 19	57.11.3103		10k	MF, 1%, 0207
0	C 5	59.06.0473		47n	PETP, 10%, 63V	0	R 20	57.11.3104		100k	MF, 1%, 0207
0	C 6	59.06.0104		100n	PETP, 10%, 63V	0	R 21	57.11.3221		220R	MF, 1%, 0207
0	C 7	59.06.0104		100n	PETP, 10%, 63V	0	R 22	57.11.3221		220R	MF, 1%, 0207
0	C 8	59.06.0103		10n	PETP, 10%, 63V	0	R 23	57.11.3221		220R	MF, 1%, 0207
0	C 9	59.06.0104		100n	PETP, 10%, 63V	0	R 24	57.11.3221		220R	MF, 1%, 0207
0	C 10	59.22.5220		22u	EL 25V, 20%, rad RM5	0	R 25	57.92.7053		1.6A	RT 1.6 A ,POLY- PTC 30V
0	C 11	59.06.0104		100n	PETP, 10%, 63V						
0	C 12	59.06.0473		47n	PETP, 10%, 63V	0	T 1	1.022.632.00		1.022.632.00	DI/DO TRANSFORMER
0	C 13	59.06.0103		10n	PETP, 10%, 63V	0	T 2	1.022.632.00		1.022.632.00	DI/DO TRANSFORMER
0	C 14	59.06.0104		100n	PETP, 10%, 63V						
0	C 15	59.06.0104		100n	PETP, 10%, 63V	0	XDL 1	50.20.2501		Spacer	LED-Socket
0	C 16	59.06.0103		10n	PETP, 10%, 63V	0	XDL 2	50.20.2501		Spacer	LED-Socket
0	C 17	59.06.0103		10n	PETP, 10%, 63V	0	XDL 3	50.20.2501		Spacer	LED-Socket
0	C 18	59.06.0104		100n	PETP, 10%, 63V	0	XDL 4	50.20.2501		Spacer	LED-Socket
0	C 19	59.06.0104		100n	PETP, 10%, 63V	0	XDL 5	50.20.2501		Spacer	LED-Socket
0	C 20	59.06.0104		100n	PETP, 10%, 63V						
0	C 21	59.22.8479		4u7	EL 50V, 20%, rad RM5	0	XIC 5	53.03.2284		XIC PLCC84	XIC PLCC 84 PIN
0	C 22	59.22.5220		22u	EL 25V, 20%, rad RM5						
0	C 23	59.06.0104		100n	PETP, 10%, 63V						
0	C 24	59.06.0104		100n	PETP, 10%, 63V						
0	C 25	59.06.0104		100n	PETP, 10%, 63V						
0	C 26	59.06.0104		100n	PETP, 10%, 63V						
0	D 1	50.04.0125		1N4448	75V, 150mA, 4ns, DO-35						
0	DL 1	50.04.2202		HLMP1790	DL HLMP - 1790 GN <i>gesockelt mit 50.20.2501</i>						
0	DL 2	50.04.2200		HLMP1700	DL HLMP - 1700 RT <i>gesockelt mit 50.20.2501</i>						
0	DL 3	50.04.2202		HLMP1790	DL HLMP - 1790 GN <i>gesockelt mit 50.20.2501</i>						
0	DL 4	50.04.2200		HLMP1700	DL HLMP - 1700 RT <i>gesockelt mit 50.20.2501</i>						
0	DL 5	50.04.2202		HLMP1790	DL HLMP - 1790 GN <i>gesockelt mit 50.20.2501</i>						
0	IC 1	50.13.0202		CS8412	IC CS 8412-CP ,A						
0	IC 2	50.13.0202		CS8412	IC CS 8412-CP ,A						
0	IC 3	50.15.0128		34C86	IC DS 34 C 86 TN, MC34C86P ,A						
0	IC 4	50.14.1009		CY7C128-35	IC MCM 2018 A - 35 ,A						
0	IC 5	1.940.960.21			SW 580 DSDA1 (50.63.4205) <i>gesockelt mit 53.03.2284</i>						
0	IC 6	50.17.7014		ACT14	.. 74 ACT 14 .						
0	IC 7	50.06.0595		74LS595	IC SN 74 LS 595 N						
0	IC 8	50.06.0595		74LS595	IC SN 74 LS 595 N						
0	J 1	54.11.2009			J EU-R 3 * 32						
0	MP 1	1.940.580.11			D19M AESI BOARD PCB						
0	MP 2	1.940.580.04			TYPENSCHILD						
0	MP 3	43.01.0108		Label	ESE-WARNSCHILD						
0	MP 4	not used		Label	TEXT-ETIK. 5*20 HARDWARE -20						
0	MP 10	1.940.580.01	1 pce		FRONTPLATTE						
0	MP 11	1.940.600.04	1 pce		GRIFFEINLAGE 4TE						
0	MP 12	49.02.0520	2 pcs	M2.5*12	Rändelschraube (Rack)						
0	MP 13	49.02.0521	2 pcs		Metall-Buchse (Rack)						
0	MP 14	49.02.0522	2 pcs		Kartenhalter (Rack)						
0	MP 15	49.02.0523	1 pce	M2.5*7	Senk-Schr, KS, Senkripp						
0	MP 16	49.02.0504	1 pce	4TE	Frontplatten-Griff						
0	MP 17	21.53.0279	2 pcs		Z - SCHR. IS , ZN , M2.5 * 6						
0	MP 18	21.53.0284	1 pce		Z - SCHR. IS , ZN , M2.5 * 16						
0	MP 19	28.99.0119	2 pcs		ROHRNIETE D 2.5*0.15* 9						
0	R 1	57.11.3821		820R	MF, 1%, 0207						
0	R 2	57.11.3821		820R	MF, 1%, 0207						
0	R 3	57.11.3821		820R	MF, 1%, 0207						
0	R 4	57.11.3821		820R	MF, 1%, 0207						
0	R 5	57.11.3821		820R	MF, 1%, 0207						
0	R 6	57.11.3102		1k0	MF, 1%, 0207						
0	R 7	57.11.3470		47R	MF, 1%, 0207						
0	R 8	57.11.3823		82k	MF, 1%, 0207						
0	R 9	57.11.3102		1k0	MF, 1%, 0207						
0	R 10	57.11.3470		47R	MF, 1%, 0207						
0	R 11	57.11.3823		82k	MF, 1%, 0207						
0	R 12	57.11.3103		10k	MF, 1%, 0207						
0	R 13	57.11.3103		10k	MF, 1%, 0207						
0	R 14	57.11.3103		10k	MF, 1%, 0207						
0	R 15	57.11.3103		10k	MF, 1%, 0207						

End of List

Comments

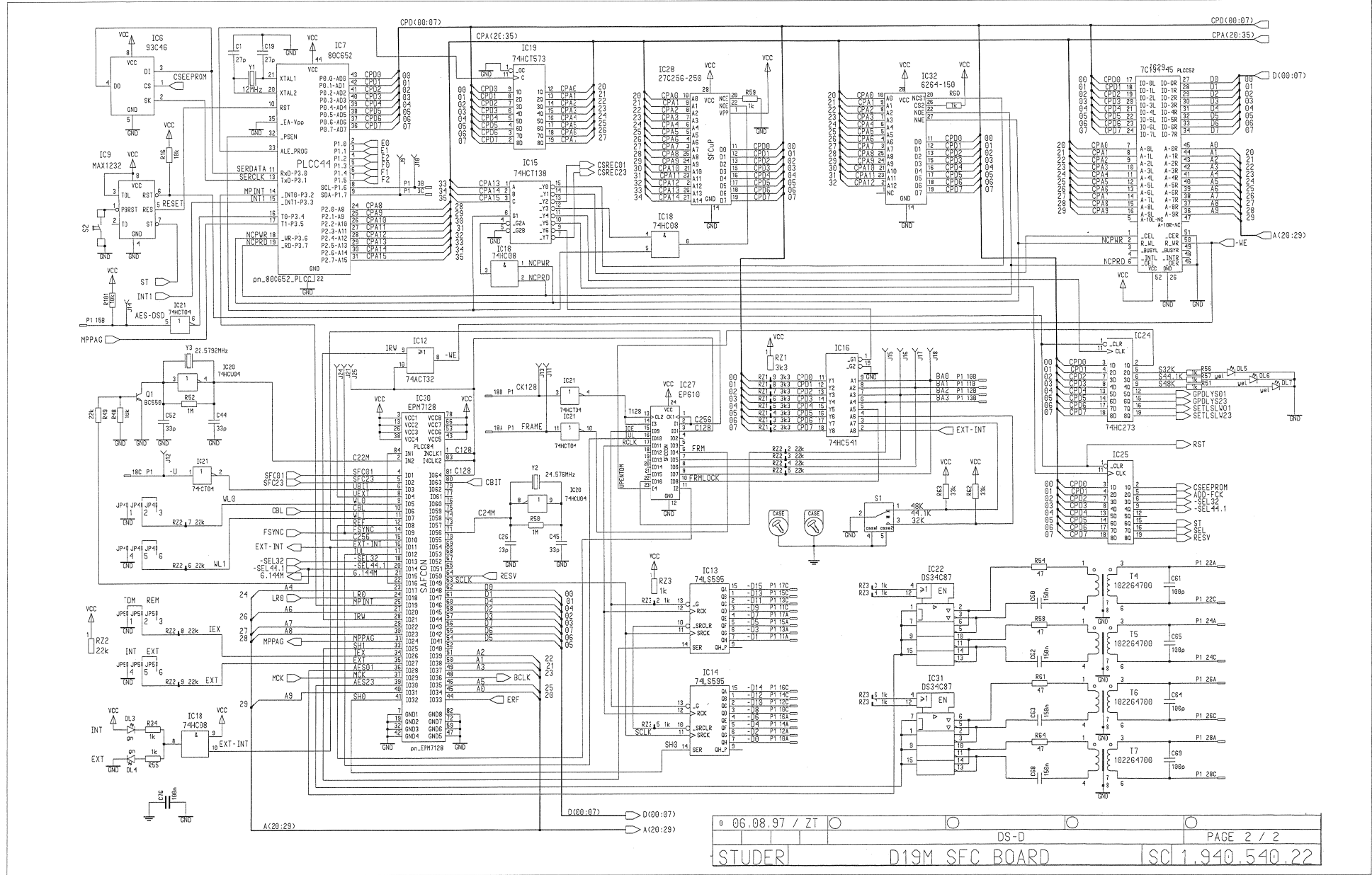


D19M SFC Board I.940.540.22





D19M SFC Board 1.940.540.22





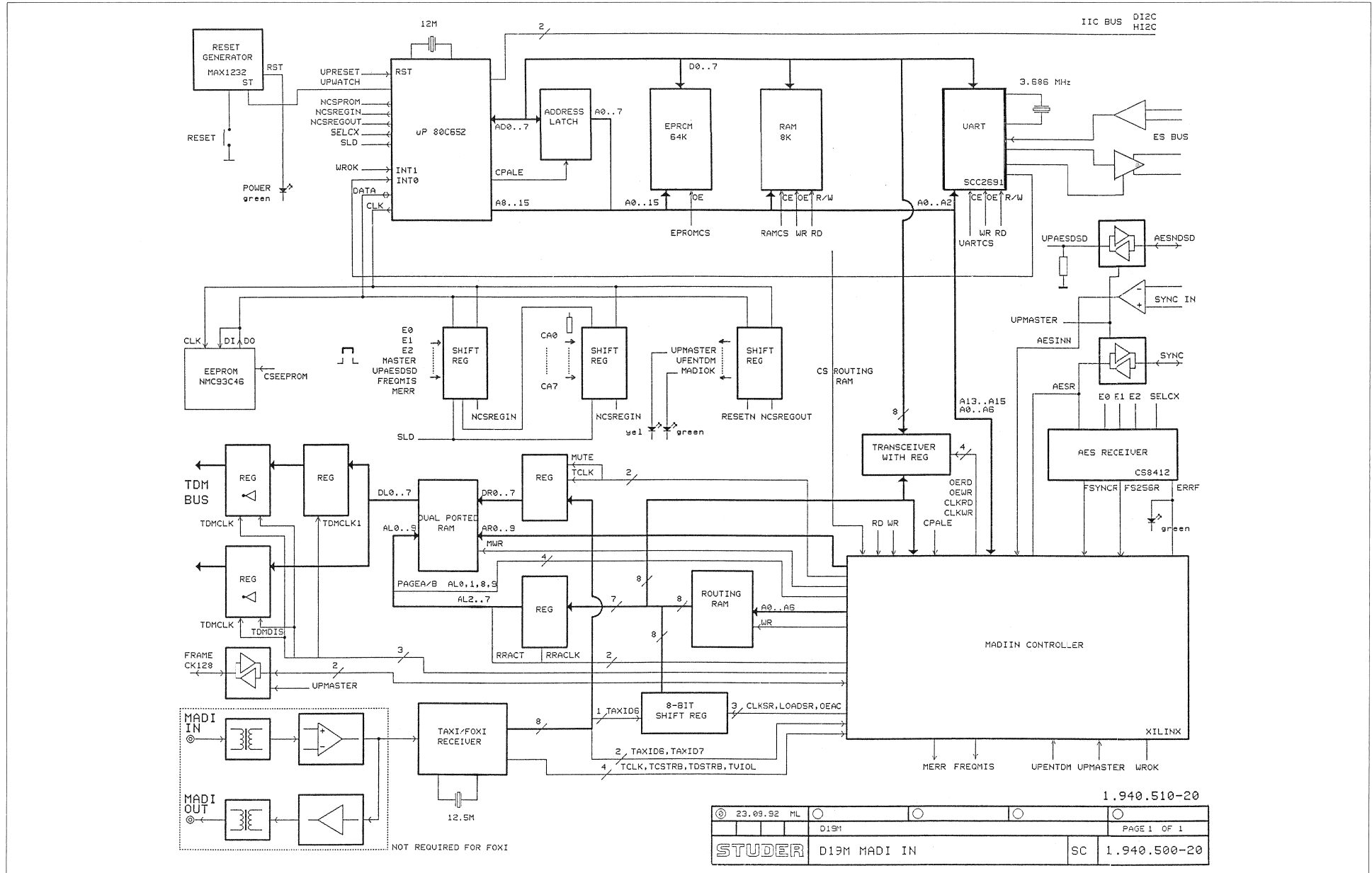
D19m SFC Board 1.940.540.23

Idx. Pos.	Part No.	Qty.	Type/Val.	Description	Idx. Pos.	Part No.	Qty.	Type/Val.	Description	Idx. Pos.	Part No.	Qty.	Type/Val.	Description	Idx. Pos.	Part No.	Qty.	Type/Val.	Description
0 C 1	59.34.2273	27p		CER 63V, 5%, N150	0 DL 7	50.04.2752	yel		LED mit Halter, gelb	0 MP 14	46.02.0522	2 pcs		Kartrhalter (Rack)	0 T 5	1.022.647.00	1:1.4		OUTPUT TRAF0 AES/EBU
0 C 2	59.06.0104	100n		PETP, 63V, 10%, RMS	0 IC 1	50.13.0001	CS8411		AES/EBU Receiver	0 MP 15	46.02.0523	1 pce	M2.5*7	Sanf-Schr. KS, Senkripp	0 T 6	1.022.647.00	1:1.4		OUTPUT TRAF0 AES/EBU
0 C 3	59.06.0104	100n		PETP, 63V, 10%, RMS	0 IC 2	50.13.0201	74HCT00		IC .. 74 HCT 00 .. A	0 MP 16	46.02.0504	1 pce	4TE	Frontplatten-Griff	0 T 7	1.022.647.00	1:1.4		OUTPUT TRAF0 AES/EBU
0 C 4	59.34.4101	100p		CER 63V, 5%, N750	0 IC 3	50.17.1153	74HC153		IC .. 74 HC 153 .. A	0 MP 17	21.53.0279	2 pce		Z-SCHR. IS, ZN, M2.5 * 6					
0 C 5	59.22.4101	100u		EL 16V, 20%, RMS	0 IC 4	50.13.0201	CS8411		AES/EBU Receiver	0 MP 18	21.53.0284	1 pce		Z-SCHR. IS, ZN, M2.5 * 16	0 TP 1	54.02.0320	1p		Flatpin, 2.8*0.8mm
0 C 6	59.06.0104	100n		PETP, 63V, 10%, RMS	0 IC 5	50.13.0202	CS8412		IC CS 8412-CP .. A	0 MP 19	28.99.0119	2 pce		ROHNREIHE D 2.5*0.15* 9	0 TP 2	54.02.0320	1p		Flatpin, 2.8*0.8mm
0 C 7	59.06.0104	100n		PETP, 63V, 10%, RMS	0 IC 6	50.14.2103	HY93CA68		EEPROM54 * 16, serial	0 P 1	54.11.2009	96p		EU-R 3*32p	0 W 1	64.01.0108	3 mm		SCHALTDRAHT SN D 0.8
0 C 8	59.06.0104	100n		PETP, 63V, 10%, RMS	0 IC 7	50.53.0039	80C552		MPU 8bit	0 Q 1	50.03.0407	BC550C	BC 550 C	0 XIC 7	53.03.2244	PLCC44p		PLCC-Socket 44p	
0 C 9	59.22.8109	1u		PETP, 63V, 10%, RMS	0 IC 8	50.11.0159	MAX1232		IC MAX 1232 CPA, DS 1232	0 R 1	57.92.7053	1.6A	POLY-PTC, 30V	0 XIC 13	53.03.0168	16p		DIL 0.3", lot, gerade	
0 C 10	59.06.0104	100n		PETP, 63V, 10%, RMS	0 IC 9	50.11.0002	LM380		High speed Comparator	0 R 2	57.11.3823	82k	MF, 1%, 0207	0 XIC 14	53.03.0168	16p		DIL 0.3", lot, gerade	
0 C 11	59.22.8109	1u		EL 50V, 20%, RMS	0 IC 10	50.11.0002	LM380		High speed Comparator	0 R 3	57.11.3470	47R	MF, 1%, 0207	0 XIC 22	53.03.0168	16p		DIL 0.3", lot, gerade	
0 C 12	59.06.0104	100n		PETP, 63V, 10%, RMS	0 IC 11	50.10.0124	MAX860		V-Converter... +5.5V to -5.5V	0 R 4	57.11.3823	82k	MF, 1%, 0207	0 XIC 27	53.03.0182	24p		DIL 0.3", lot, gerade	
0 C 13	59.22.8109	1u		EL 50V, 20%, RMS	0 IC 12	50.17.7032	ACT32		.. 74 ACT 32 ..	0 R 5	57.11.3470	47R	MF, 1%, 0207	0 XIC 28	53.03.0173	28p		DIL 0.3", lot, gerade	
0 C 14	59.06.0103	10n		PETP, 63V, 10%, RMS	0 IC 13	50.06.0595	*4LS585		IC SN 74LS 585 N	0 R 6	57.11.3470	47R	MF, 1%, 0207	0 XIC 29	53.03.2252	PLCC52p		PLCC-Socket 52p	
0 C 15	59.06.0104	100n		PETP, 63V, 10%, RMS	0 IC 14	50.06.0595	*4LS585		IC SN 74LS 585 N	0 R 7	57.11.3823	82k	MF, 1%, 0207	0 XIC 30	53.03.2284	PLCC84p		PLCC-Socket 84p	
0 C 16	59.06.0103	10n		PETP, 63V, 10%, RMS	0 IC 15	50.17.0138	*4HCT138		IC .. 74 HCT138 .. A	0 R 8	57.11.3103	10k	MF, 1%, 0207	0 XIC 31	53.03.0168	16p		DIL 0.3", lot, gerade	
0 C 17	59.06.0104	100n		PETP, 63V, 10%, RMS	0 IC 16	50.17.1541	*4HC641		IC .. 74 HC 541 .. A	0 R 9	57.11.3103	10k	MF, 1%, 0207	0 Y 1	89.01.1014	12.000MHz	12.000 000 MHz, HC 49/U		
0 C 18	59.22.3470	47u		EL 10V, 20%, RMS	0 IC 17	50.11.0002	LM380		High speed Comparator	0 R 10	57.11.3471	470R	MF, 1%, 0207	0 Y 2	89.01.1010	24.576MHz	24.576 000 MHz, HC 18/U		
0 C 19	59.34.2270	27p		CER 63V, 5%, N150	0 IC 18	50.17.1008	*4HC08		IC .. 74 HC 08 .. A	0 R 11	57.11.3102	1k0	MF, 1%, 0207	0 Y 3	89.01.1012	22.5762MHz	22.576 200 MHz, HC 49/U		
0 C 20	59.06.0103	10n		PETP, 63V, 10%, RMS	0 IC 19	50.17.0873	*4HCT573		IC .. 74 HCT573 .. A	0 R 12	57.11.3150	15R	MF, 1%, 0207	0 Y 4	89.01.1009	16.000MHz	16.000 000 MHz, HC 49/U		
0 C 21	59.08.0473	47n		PETP, 63V, 10%, RMS	0 IC 20	50.17.1954	*4HCU04		IC .. 74 HCT04 .. A	0 R 13	57.11.3150	15R	MF, 1%, 0207						
0 C 22	59.08.0104	100n		PETP, 63V, 10%, RMS	0 IC 21	50.17.0004	*4HCT04		IC .. 74 HCT 04 .. A	0 R 14	57.11.3271	270R	MF, 1%, 0207						
0 C 23	59.08.0103	10n		PETP, 63V, 10%, RMS	0 IC 22	50.15.0127	34C87		IC DS 34 C 87 TN, MC34C87P, A	0 R 15	57.11.3102	1k0	MF, 1%, 0207						
0 C 24	59.08.0473	47n		PETP, 63V, 10%, RMS	0 IC 23	50.13.0204	IC AD 1839 JN		.. A	0 R 16	57.11.3102	1k0	MF, 1%, 0207						
0 C 25	59.08.0473	47n		PETP, 63V, 10%, RMS	0 IC 24	50.17.1273	*4HC273		IC .. 74 HC 273 .. A	0 R 17	57.11.3102	1k0	MF, 1%, 0207						
0 C 26	59.34.2330	33p		CER 63V, 5%, N150	0 IC 25	50.17.1273	*4HC273		IC .. 74 HC 273 .. A	0 R 18	57.11.3102	1k0	MF, 1%, 0207						
0 C 27	59.06.0104	100n		PETP, 63V, 10%, RMS	0 IC 26	50.13.0204	IC AD 1839 JN		.. A	0 R 19	57.11.3103	10k	MF, 1%, 0207						
0 C 28	59.06.0104	100n		PETP, 63V, 10%, RMS	0 IC 27	1.940.951.21			1.940.951.21	0 R 20	57.11.3103	10k	MF, 1%, 0207						
0 C 29	59.06.0103	10n		PETP, 63V, 10%, RMS	0 IC 28	1.940.952.21			1.940.952.21	0 R 21	57.11.3471	470R	MF, 1%, 0207						
0 C 30	59.34.4101	100p		CER 63V, 5%, N750	0 IC 29	50.63.1702	2Y7C130		Dualport SRAM, 1K*8	0 R 22	57.11.3271	270R	MF, 1%, 0207						
0 C 31	59.06.0104	100n		PETP, 63V, 10%, RMS	0 IC 30	1.940.950.23			1.940.950.23	0 R 23	57.11.3102	1k0	MF, 1%, 0207						
0 C 32	59.22.4101	100u		EL 16V, 20%, RMS	0 IC 31	50.15.0127	34C87		IC DS 34 C 87 TN, MC34C87P, A	0 R 24	57.11.3102	1k0	MF, 1%, 0207						
0 C 33	59.06.0104	100n		PETP, 63V, 10%, RMS	0 IC 32	50.14.0133	3595		IC HM 6294LP-15 .. A	0 R 25	57.11.3332	3k3	MF, 1%, 0207						
0 C 34	59.06.0103	10n		PETP, 63V, 10%, RMS	0 J 1	53.03.0219	1p		single-in-line	0 R 26	57.11.3332	3k3	MF, 1%, 0207						
0 C 35	59.06.0103	10n		PETP, 63V, 10%, RMS	0 J 2	53.03.0219	1p		single-in-line	0 R 27	57.11.3103	10k	MF, 1%, 0207						
0 C 36	59.06.0103	10n		PETP, 63V, 10%, RMS	0 J 3	53.03.0219	1p		single-in-line	0 R 28	57.11.3103	10k	MF, 1%, 0207						
0 C 37	59.06.0104	100n		PETP, 63V, 10%, RMS	0 J 4	53.03.0219	1p		single-in-line	0 R 29	57.11.3103	10k	MF, 1%, 0207						
0 C 38	59.06.0104	100n		PETP, 63V, 10%, RMS	0 J 5	53.03.0219	1p		single-in-line	0 R 30	not used	470R	MF, 1%, 0207						
0 C 39	59.08.0104	100n		PETP, 63V, 10%, RMS	0 J 6	53.03.0219	1p		single-in-line	0 R 31	57.11.3150	15R	MF, 1%, 0207						
0 C 40	59.34.4101	100p		CER 63V, 5%, N750	0 J 7	53.03.0219	1p		single-in-line	0 R 32	57.11.3150	15R	MF, 1%, 0207						
0 C 41	59.06.0104	100n		PETP, 63V, 10%, RMS	0 J 8	53.03.0219	1p		single-in-line	0 R 33	57.11.3271	270R	MF, 1%, 0207						
0 C 42	59.06.0104	100n		PETP, 63V, 10%, RMS	0 J 9	53.03.0219	1p		single-in-line	0 R 34	57.11.3102	1k0	MF, 1%, 0207						
0 C 43	59.06.0104	100n		PETP, 63V, 10%, RMS	0 J 10	53.03.0219	1p		single-in-line	0 R 35	57.11.3102	1k0	MF, 1%, 0207						
0 C 44	59.34.2330	33p		CER 63V, 5%, N150	0 J 11	53.03.0219	1p		single-in-line	0 R 36	57.11.3102	1k0	MF, 1%, 0207						
0 C 45	59.34.2330	33p		CER 63V, 5%, N150	0 J 12	53.03.0219	1p		single-in-line	0 R 37	57.11.3103	10k	MF, 1%, 0207						
0 C 46	59.06.0103	10n		PETP, 63V, 10%, RMS	0 J 13	53.03.0219	1p		single-in-line	0 R 38	57.11.3103	10k	MF, 1%, 0207						
0 C 47	59.06.0104	100n		PETP, 63V, 10%, RMS	0 J 14	53.03.0219	1p		single-in-line	0 R 39	57.11.3103	10k	MF, 1%, 0207						
0 C 48	59.34.2330	33p		CER 63V, 5%, N150	0 J 15	53.03.0219	1p		single-in-line	0 R 40	57.11.3103	10k	MF, 1%, 0207						
0 C 49	59.06.0104	100n		PETP, 63V, 10%, RMS	0 J 16	53.03.0219	1p		single-in-line	0 R 41	not used	470R	MF, 1%, 0207						
0 C 50	59.06.0104	100n		PETP, 63V, 10%, RMS	0 J 17	53.03.0219	1p		single-in-line	0 R 42	57.11.3471	470R	MF, 1%, 0207						
0 C 51	59.06.0104	100n		PETP, 63V, 10%, RMS	0 J 18	53.03.0219	1p		single-in-line	0 R 43	57.11.3150	15R	MF, 1%, 0207						
0 C 52	59.34.2330	33p		CER 63V, 5%, N150	0 J 19	53.03.0219	1p		single-in-line	0 R 44	57.11.3271	270R	MF, 1%, 0207						
0 C 53	59.34.2330	33p		CER 63V, 5%, N150	0 J 20	53.03.0219	1p		single-in-line	0 R 45	57.11.3271	270R	MF, 1%, 0207						
0 C 54	59.06.0104	100n		PETP, 63V, 10%, RMS	0 J 21	53.03.0219	1p		single-in-line	0 R 46	57.11.3150	15R	MF, 1%, 0207						
0 C 55	59.06.0104	100n		PETP, 63V, 10%, RMS	0 J 22	53.03.0219	1p		single-in-line	0 R 47	57.11.3472	4k7	MF, 1%, 0207						
0 C 56	59.06.0104	100n		PETP, 63V, 10%, RMS	0 J 23	53.03.0219	1p		single-in-line	0 R 48	57.11.3103	10k	MF, 1%, 0207						

STUDER

D19m Digital Audio Processing

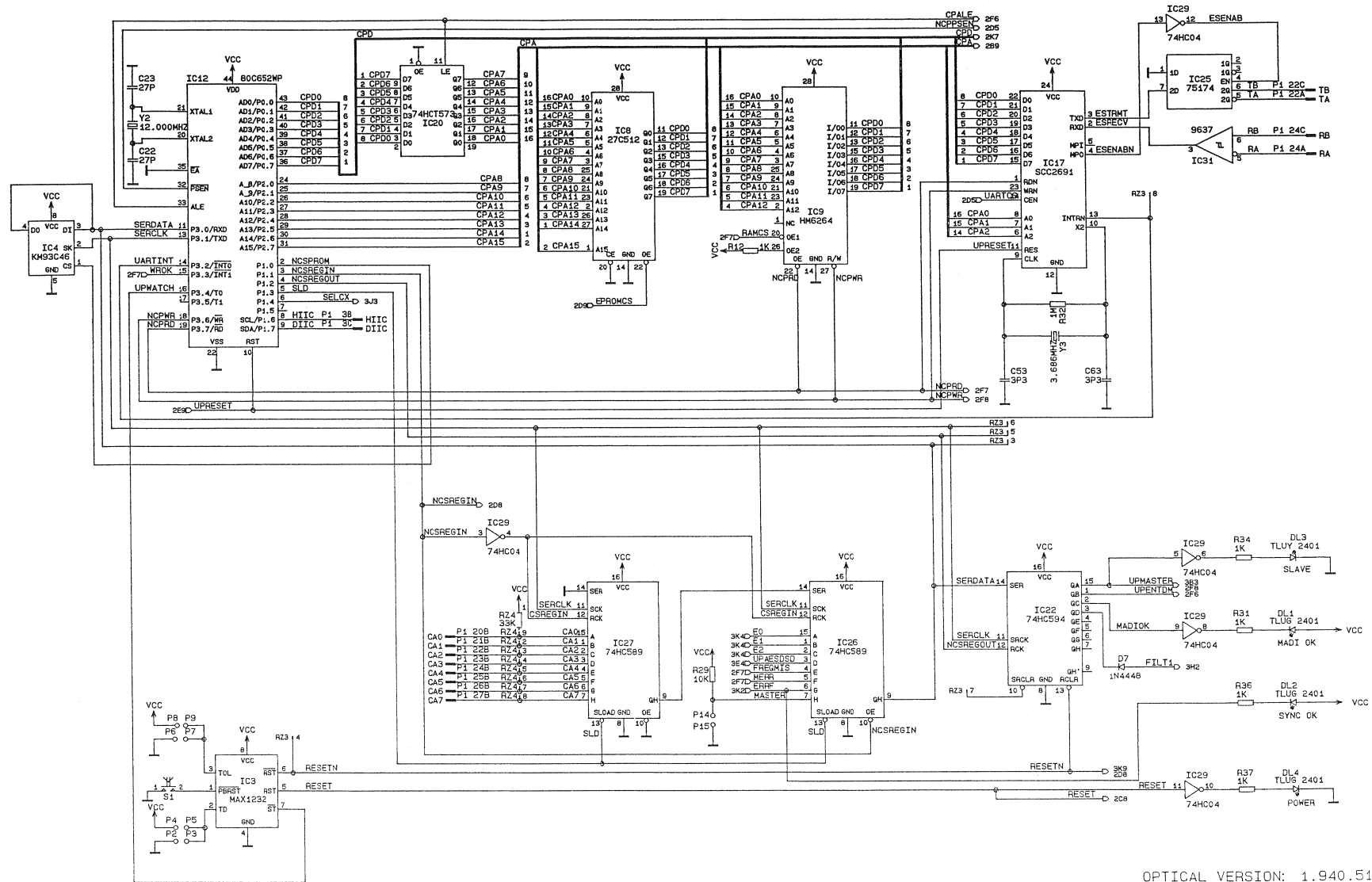
Block Diagram
D19M Madi Coaxial 1.940.500
Madi Optical 1.940.510



1.940.510-20

© 23.09.92	ML			
	D19M			PAGE 1 OF 1
STUDER	D19M MADI IN	SC	1.940.500-20	

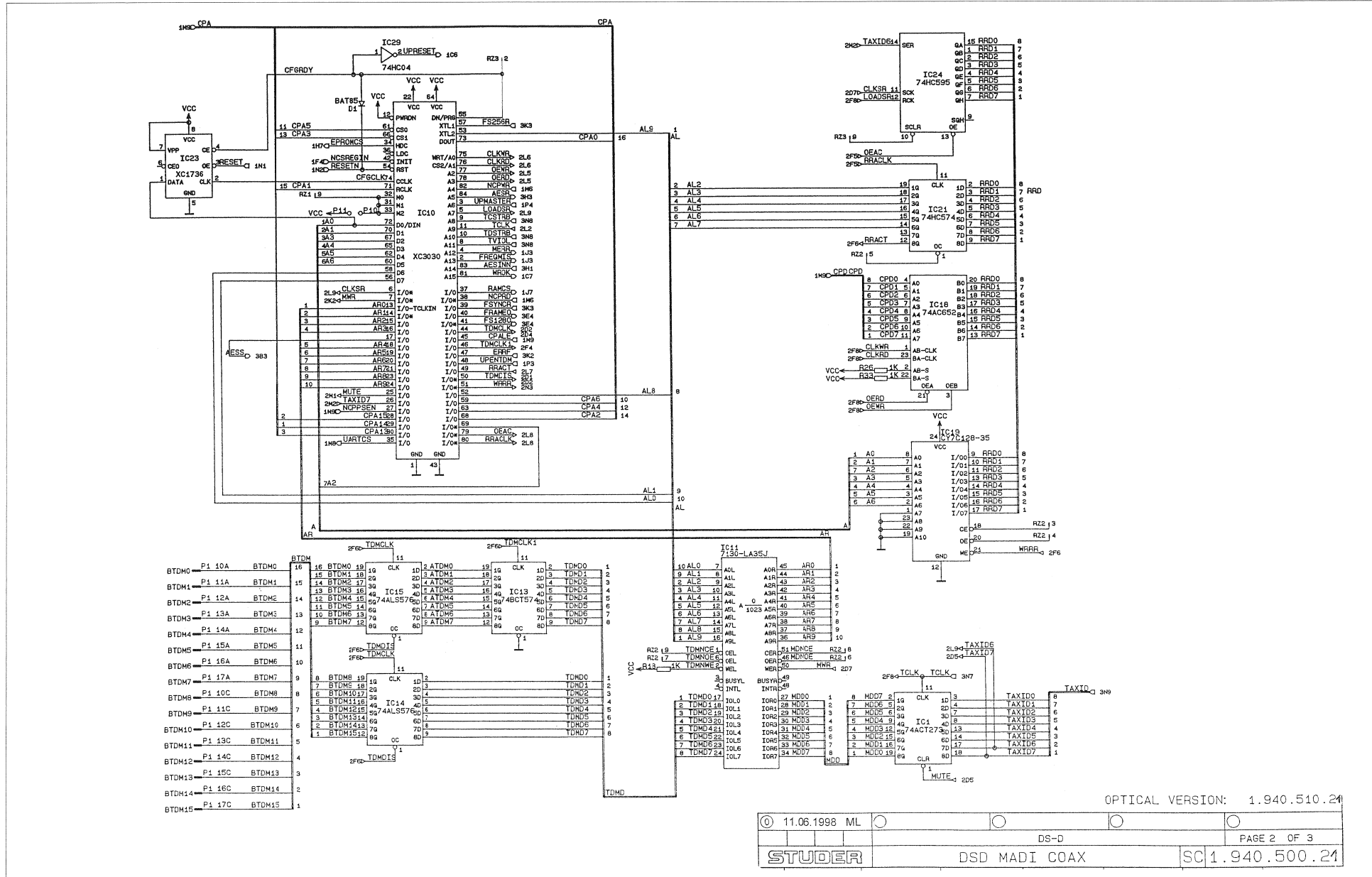
D19M Madi Coaxial 1.940.500.21
Madi Optical 1.940.510.21



OPTICAL VERSION: 1.940.510.21

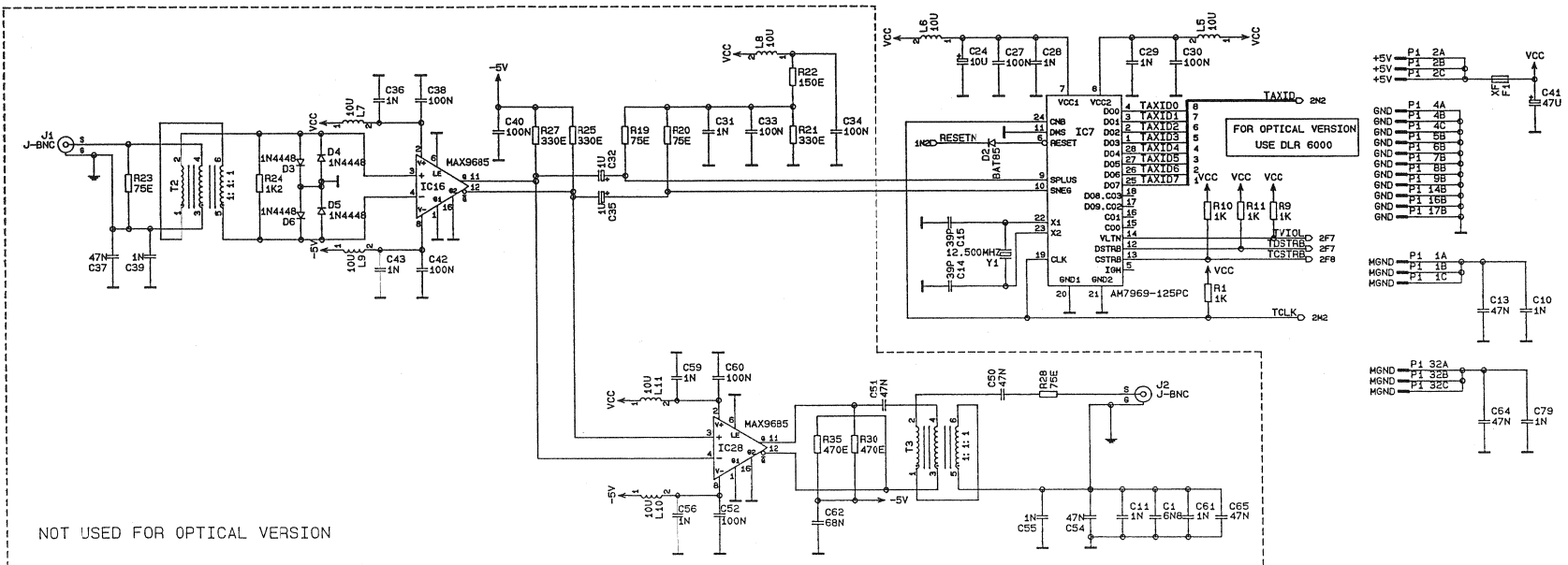


D19M Madi Coaxial 1.940.500.21
Madi Optical 1.940.510.21

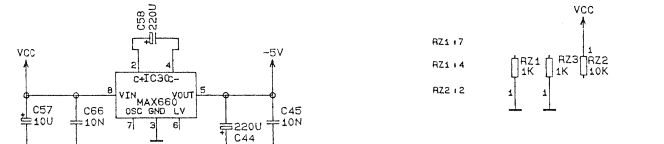
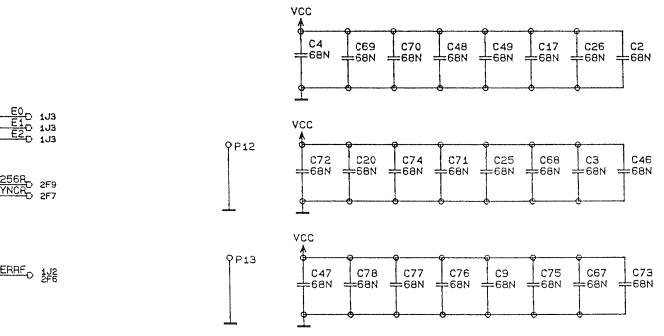
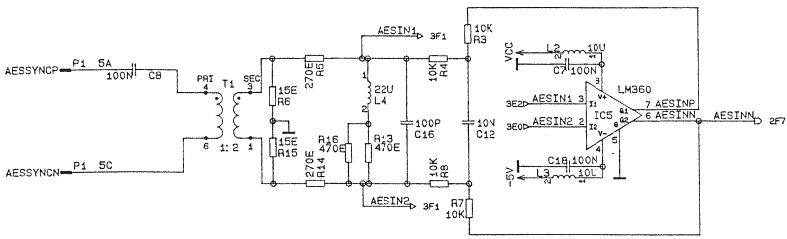
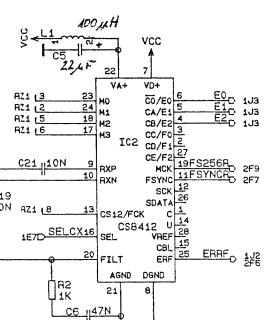
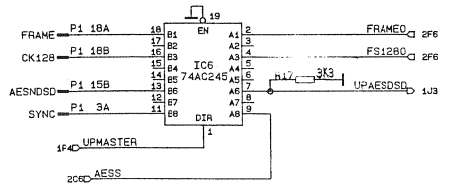


OPTICAL VERSION: 1.940.510.21

D19M Madi Coaxial 1.940.500.21
Madi Optical 1.940.510.21



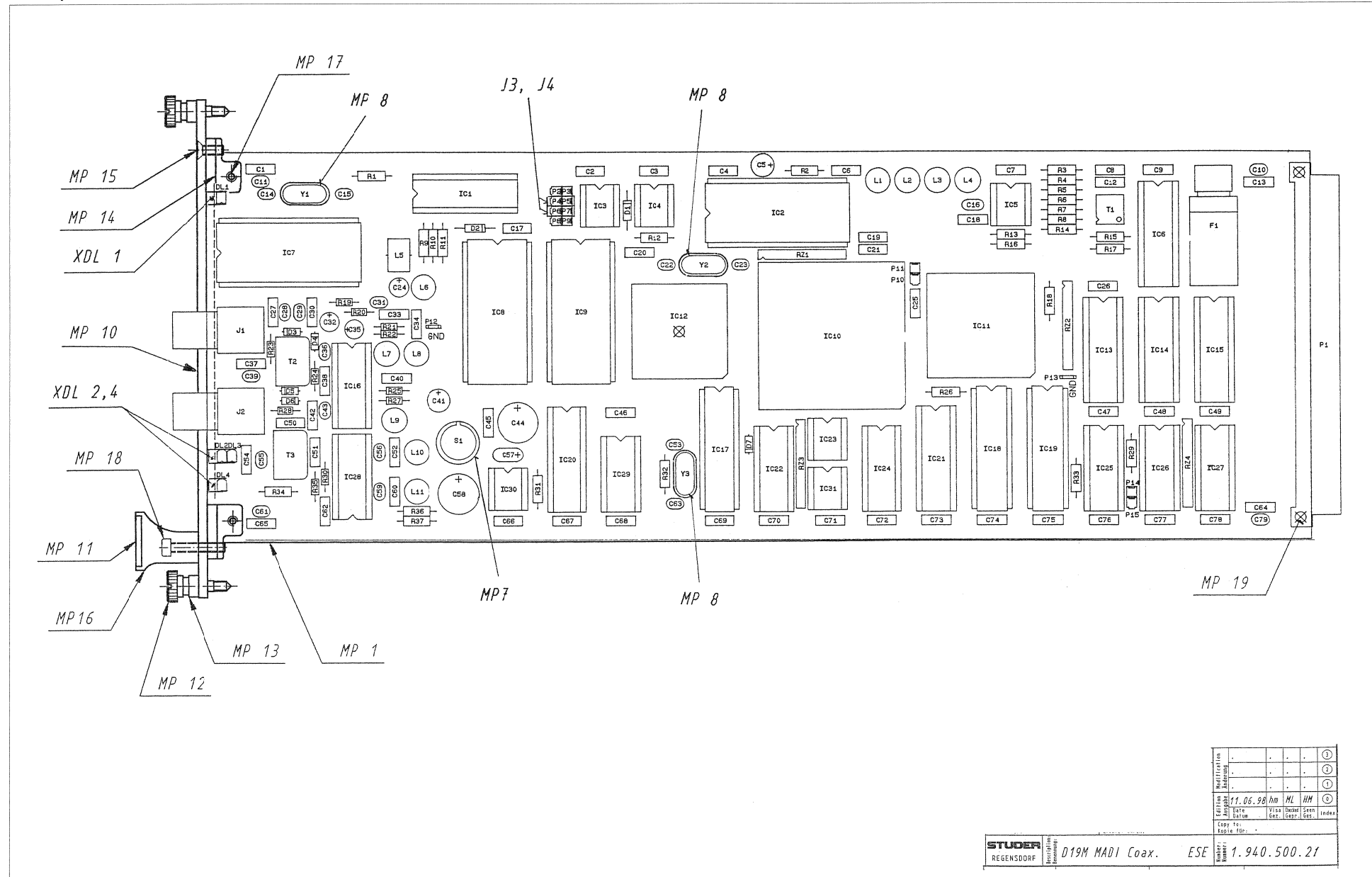
NOT USED FOR OPTICAL VERSION



OPTICAL VERSION: 1.940.510.21



D19M Madi Coaxial 1.940.500.21
Madi Optical 1.940.510.21



Revision	Modifikation				
Angabe	Änderung				
Date	Von	Bis	Gezeichnet	Geprüft	Index
11.06.98	hm	ML	HM		
Copy to: _____					
Topic No: _____					



D19M Madi Coaxial 1.940.500.21

Idx	Pos.	Part No.	Qty.	Type/Val.	Description	Idx	Pos.	Part No.	Qty.	Type/Val.	Description
0	C 1	59.06.0682		6n8	PETP, 63V, 10%, RM5	0	D 4	50.04.0125		1N4448	75V, 150mA, 4ns, DO-35
0	C 2	59.06.0683		68n	PETP, 63V, 10%, RM5	0	D 5	50.04.0125		1N4448	75V, 150mA, 4ns, DO-35
0	C 3	59.06.0683		68n	PETP, 63V, 10%, RM5	0	D 6	50.04.0125		1N4448	75V, 150mA, 4ns, DO-35
0	C 4	59.06.0683		68n	PETP, 63V, 10%, RM5	0	D 7	50.04.0125		1N4448	75V, 150mA, 4ns, DO-35
0	C 5	59.22.5220		22u	EL 25V 20% RM5	0	DL 1	50.04.2202		HLMP1790	DL HLMP - 1790 GN
0	C 6	59.06.0473		47n	PETP, 63V, 10%, RM5	0	DL 2	50.04.2202		HLMP1790	DL HLMP - 1790 GN
0	C 7	59.06.0104		100n	PETP, 63V, 10%, RM5	0	DL 3	50.04.2201		HLMP1719	DL HLMP - 1719 GB
0	C 8	59.06.0104		100n	PETP, 63V, 10%, RM5	0	DL 4	50.04.2202		HLMP1790	DL HLMP - 1790 GN
0	C 9	59.06.0683		68n	PETP, 63V, 10%, RM5	0	F 1	51.01.0119		1.6A	T 5*20 L 250V
0	C 10	59.32.4102		1n	C 1000 P, 20%, 50V, CER	0	IC 1	50.17.7273		ACT273	.. 74 ACT 273 .
0	C 11	59.32.4102		1n	C 1000 P, 20%, 50V, CER	0	IC 2	50.13.0202		CS8412	IC CS 8412-CP ,A
0	C 12	59.06.0103		10n	PETP, 63V, 10%, RM5	0	IC 3	50.11.0159		MAX1232	IC MAX 1232 CPA, DS 1232
0	C 13	59.06.0473		47n	PETP, 63V, 10%, RM5	0	IC 4	50.14.2103		93C46	EEPROM 64 * 16, serial
0	C 14	59.34.2390		39p	CER 63V, 5%, N150	0	IC 5	50.11.1002		LM360	High speed Comparator
0	C 15	59.34.2390		39p	CER 63V, 5%, N150	0	IC 6	50.06.0245		74LS245	SN 74 LS 245 N
0	C 16	59.34.4101		100p	CER 63V, 5%, N750	0	IC 7	50.16.0702		AM7969-125	TAXI Receiver
0	C 17	59.06.0683		68n	PETP, 63V, 10%, RM5	0	IC 8	1.940.940.20		SW 500 MADI (50.14.2002)	
0	C 18	59.06.0104		100n	PETP, 63V, 10%, RM5	0	IC 9	50.14.0133		5565	IC HM 6264LP-15 ,A
0	C 19	59.06.0103		10n	PETP, 63V, 10%, RM5	0	IC 10	50.63.4002		XC3030A-7	LCA 3000 / 3000 PLCC84
0	C 20	59.06.0683		68n	PETP, 63V, 10%, RM5	0	IC 11	50.63.1702		CY7C130	Dualport SRAM, 1K*8
0	C 21	59.06.0103		10n	PETP, 63V, 10%, RM5	0	IC 12	50.63.0009		80C852	MPU 8bit
0	C 22	59.34.2270		27p	CER 63V, 5%, N150	0	IC 13	50.17.0574		74HCT574	IC .. 74 HCT574 .. ,A
0	C 23	59.34.2270		27p	CER 63V, 5%, N150	0	IC 14	50.06.1576		74ALS576	Octal D-Type FF, tri
0	C 24	59.22.6100		10u	EL 35V 20% RM5	0	IC 15	50.06.1576		74ALS576	Octal D-Type FF, tri
0	C 25	59.06.0683		68n	PETP, 63V, 10%, RM5	0	IC 16	50.11.0156		MAX9685	ECL Comparator, latching
0	C 26	59.06.0683		68n	PETP, 63V, 10%, RM5	0	IC 17	50.16.0201		SCC2691	IC SCC 2691 AE 1 N 24 ,A
0	C 27	59.06.0104		100n	PETP, 63V, 10%, RM5	0	IC 18	50.17.5652		74AC652	Octal Bus Reg/Transceiver
0	C 28	59.32.4102		1n	C 1000 P, 20%, 50V, CER	0	IC 19	50.14.1009		7C128A	SRAM 2K*8 35ns
0	C 29	59.32.4102		1n	C 1000 P, 20%, 50V, CER	0	IC 20	50.17.0573		74HCT573	IC .. 74 HCT573 .. ,A
0	C 30	59.06.0104		100n	PETP, 63V, 10%, RM5	0	IC 21	50.17.1574		74HC574	IC ... 74 HC 574 .. ,A
0	C 31	59.32.4102		1n	C 1000 P, 20%, 50V, CER	0	IC 22	50.17.1594		74HC594	IC ... 74 HC 594 .. ,A
0	C 32	59.30.6109		1u	TA, 20%, 35V	0	IC 23	1.940.941.21		SW 500 MADIIN (50.14.1501)	
0	C 33	59.06.0104		100n	PETP, 63V, 10%, RM5	0	IC 24	50.17.1595		74HC595	IC ... 74 HC 595 .. ,A
0	C 34	59.06.0104		100n	PETP, 63V, 10%, RM5	0	IC 25	50.15.0121		75174	IC SN 75174 N
0	C 35	59.30.6109		1u	TA, 20%, 35V	0	IC 26	50.17.1589		74HC589	MC 74 HC 589 N
0	C 36	59.32.4102		1n	C 1000 P, 20%, 50V, CER	0	IC 27	50.17.1589		74HC589	MC 74 HC 589 N
0	C 37	59.06.0473		47n	PETP, 63V, 10%, RM5	0	IC 28	50.11.0156		MAX9685	ECL Comparator, latching
0	C 38	59.06.0104		100n	PETP, 63V, 10%, RM5	0	IC 29	50.17.1004		74HC04	IC ... 74 HC 04 .. ,A
0	C 39	59.32.4102		1n	C 1000 P, 20%, 50V, CER	0	IC 30	50.10.0124		MAX660	V-Converter ... +5.5V to -5.5V
0	C 40	59.06.0104		100n	PETP, 63V, 10%, RM5	0	IC 31	50.15.0114		9637	Dual diff Line Receiver
0	C 41	59.22.3470		47u	EL 10V 20% RM5	0	J 1	54.21.2031		BNC	J 1 POL PRINT/WINKEL BNC
0	C 42	59.06.0104		100n	PETP, 63V, 10%, RM5	0	J 2	54.21.2031		BNC	J 1 POL PRINT/WINKEL BNC
0	C 43	59.32.4102		1n	C 1000 P, 20%, 50V, CER	0	J 3	54.01.0021		Jumper	0.63 * 0.63mm
0	C 44	59.22.4221		220u	EL 16V 20% RM5	0	J 4	54.01.0021		Jumper	0.63 * 0.63mm
0	C 45	59.06.0103		10n	PETP, 63V, 10%, RM5	0	L 1	62.02.3101		100uH	10%, radial RM 5
0	C 46	59.06.0683		68n	PETP, 63V, 10%, RM5	0	L 2	62.02.3100		10uH	10%, radial RM 5
0	C 47	59.06.0683		68n	PETP, 63V, 10%, RM5	0	L 3	62.02.3100		10uH	10%, radial RM 5
0	C 48	59.06.0683		68n	PETP, 63V, 10%, RM5	0	L 4	62.02.3220		22uH	10%, radial RM 5
0	C 49	59.06.0683		68n	PETP, 63V, 10%, RM5	0	L 5	62.03.0001		10uH	1A Toroid Chocke
0	C 50	59.06.0473		47n	PETP, 63V, 10%, RM5	0	L 6	62.02.3100		10uH	10%, radial RM 5
0	C 51	59.06.0473		47n	PETP, 63V, 10%, RM5	0	L 7	62.02.3100		10uH	10%, radial RM 5
0	C 52	59.06.0104		100n	PETP, 63V, 10%, RM5	0	L 8	62.02.3100		10uH	10%, radial RM 5
0	C 53	59.34.0339		3p3	CER 63V, 5%, P100	0	L 9	62.02.3100		10uH	10%, radial RM 5
0	C 54	59.06.0473		47n	PETP, 63V, 10%, RM5	0	L 10	62.02.3100		10uH	10%, radial RM 5
0	C 55	59.32.4102		1n	C 1000 P, 20%, 50V, CER	0	L 11	62.02.3100		10uH	10%, radial RM 5
0	C 56	59.32.4102		1n	C 1000 P, 20%, 50V, CER	0	MP 1	1.940.500.11			D19M MADI PCB
0	C 57	59.22.6100		10u	EL 35V 20% RM5	0	MP 2	1.010.057.43			Baugruppenschild
0	C 58	59.22.4221		220u	EL 16V 20% RM5	0	MP 3	43.01.0108		Label	ESE-WARNschild
0	C 59	59.32.4102		1n	C 1000 P, 20%, 50V, CER	0	MP 5	1.010.117.51			TEXT-ETIK. 5*20 (T1.60A)
0	C 60	59.06.0104		100n	PETP, 63V, 10%, RM5	0	MP 7	1.010.015.50		Spacer	Isolierscheibe
0	C 61	59.32.4102		1n	C 1000 P, 20%, 50V, CER	0	MP 8	89.01.1499	3 pcs		QUARZ - ISOLIERPLATTE
0	C 62	59.06.0683		68n	PETP, 63V, 10%, RM5	0	MP 10	1.940.500.01	1 pce		FRONTPLATTE
0	C 63	59.34.0339		3p3	CER 63V, 5%, P100	0	MP 11	1.940.600.04	1 pce		GRIFFEINLAGE 4TE
0	C 64	59.06.0473		47n	PETP, 63V, 10%, RM5	0	MP 12	49.02.0520	2 pcs	M2.5*12	Rändelschraube (Rack)
0	C 65	59.06.0473		47n	PETP, 63V, 10%, RM5	0	MP 13	49.02.0521	2 pcs		Metall-Buchse (Rack)
0	C 66	59.06.0103		10n	PETP, 63V, 10%, RM5	0	MP 14	49.02.0522	2 pcs		Kartenhalter (Rack)
0	C 67	59.06.0683		68n	PETP, 63V, 10%, RM5	0	MP 15	49.02.0523	1 pce	M2.5*7	Senk-Schr, KS, Senkripp
0	C 68	59.06.0683		68n	PETP, 63V, 10%, RM5	0	MP 16	49.02.0504	1 pce	4TE	Frontplatten-Griff
0	C 69	59.06.0683		68n	PETP, 63V, 10%, RM5	0	MP 17	21.53.0279	2 pcs	M2.5*6	Z-Schraube Inbus Zn gb chr
0	C 70	59.06.0683		68n	PETP, 63V, 10%, RM5	0	MP 18	21.53.0284	1 pce	M2.5*16	Z-Schraube Inbus Zn gb chr
0	C 71	59.06.0683		68n	PETP, 63V, 10%, RM5	0	MP 19	28.99.0119	2 pcs		ROHRNIETE D 2.5*0.15* 9
0	C 72	59.06.0683		68n	PETP, 63V, 10%, RM5	0	MP 20	1.101.001.21	1 pce		TEXT-ETIK. 5*20 HARDWARE -21
0	C 73	59.06.0683		68n	PETP, 63V, 10%, RM5	0	P 1	54.11.2009		96p	EU-R 3*32p
0	C 74	59.06.0683		68n	PETP, 63V, 10%, RM5	0	P 2	54.01.0020		1p	Pin 0.63*0.63
0	C 75	59.06.0683		68n	PETP, 63V, 10%, RM5	0	P 3	54.01.0020		1p	Pin 0.63*0.63
0	C 76	59.06.0683		68n	PETP, 63V, 10%, RM5	0	P 4	54.01.0020		1p	Pin 0.63*0.63
0	C 77	59.06.0683		68n	PETP, 63V, 10%, RM5	0	P 5	54.01.0020		1p	Pin 0.63*0.63
0	C 78	59.06.0683		68n	PETP, 63V, 10%, RM5	0	P 6	54.01.0020		1p	Pin 0.63*0.63
0	C 79	59.32.4102		1n	C 1000 P, 20%, 50V, CER						
0	D 1	50.04.0127		BAT85	200mA, Schottky						
0	D 2	50.04.0127		BAT85	200mA, Schottky						
0	D 3	50.04.0125		1N4448	75V, 150mA, 4ns, DO-35						

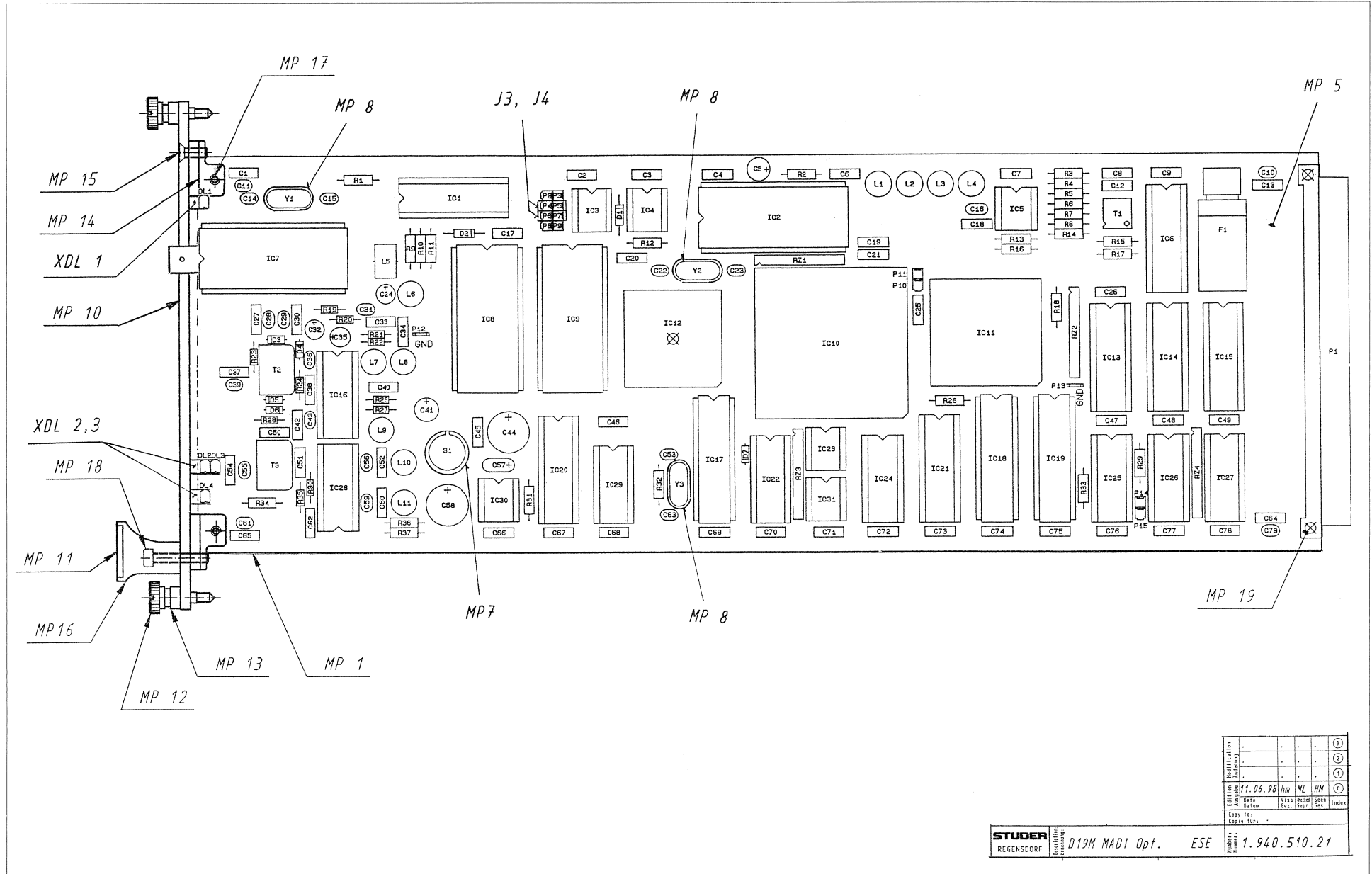


DI9M Madi Coaxial I.940.500.21

Idx	Pos.	Part No.	Qty.	Type/Val.	Description	Idx	Pos.	Part No.	Qty.	Type/Val.	Description
0	P 7	54.01.0020		1p	Pin 0.63*0.63	0	XIC 25	53.03.0168		16p	DIL 0.3", lötl, gerade
0	P 8	54.01.0020		1p	Pin 0.63*0.63	0	XIC 31	53.03.0166		8p	DIL 0.3", lötl, gerade
0	P 9	54.01.0020		1p	Pin 0.63*0.63						
0	P 10	54.01.0020		1p	Pin 0.63*0.63	0	Y 1	89.01.1013		12.500MHz	XTAL HC 49/U
0	P 11	54.01.0020		1p	Pin 0.63*0.63	0	Y 2	89.01.1014		12.000MHz	XTAL HC 49/U
0	P 12	54.02.0320		1p	PCB-Flachst 2.8*0.8, gerade	0	Y 3	89.01.1002		3.6864MHz	XTAL HC 16 U
0	P 13	54.02.0320		1p	PCB-Flachst 2.8*0.8, gerade						
0	P 14	54.01.0020		1p	Pin 0.63*0.63						
0	P 15	54.01.0020		1p	Pin 0.63*0.63						
											End of List
											Comments
											Datenübernahme
0	R 1	57.11.3102		1k0	MF, 1%, 0207						
0	R 2	57.11.3102		1k0	MF, 1%, 0207						
0	R 3	57.11.3103		10k	MF, 1%, 0207						
0	R 4	57.11.3103		10k	MF, 1%, 0207						
0	R 5	57.11.3271		270R	MF, 1%, 0207						
0	R 6	57.11.3150		15R	MF, 1%, 0207						
0	R 7	57.11.3103		10k	MF, 1%, 0207						
0	R 8	57.11.3103		10k	MF, 1%, 0207						
0	R 9	57.11.3102		1k0	MF, 1%, 0207						
0	R 10	57.11.3102		1k0	MF, 1%, 0207						
0	R 11	57.11.3102		1k0	MF, 1%, 0207						
0	R 12	57.11.3102		1k0	MF, 1%, 0207						
0	R 13	57.11.3471		470R	MF, 1%, 0207						
0	R 14	57.11.3271		270R	MF, 1%, 0207						
0	R 15	57.11.3150		15R	MF, 1%, 0207						
0	R 16	not used		470R	MF, 1%, 0207						
1	R 17	57.11.3332		3k3	MF, 1%, 0207						
0	R 18	57.11.3102		1k0	MF, 1%, 0207						
0	R 19	57.10.1750		75R	MF, 1%, 0204						
0	R 20	57.10.1750		75R	MF, 1%, 0204						
0	R 21	57.10.1331		330R	MF, 1%, 0204						
0	R 22	57.11.3151		150R	MF, 1%, 0207						
0	R 23	57.10.1750		75R	MF, 1%, 0204						
0	R 24	57.10.1122		1k2	MF, 1%, 0204						
0	R 25	57.10.1331		330R	MF, 1%, 0204						
0	R 26	57.11.3102		1k0	MF, 1%, 0207						
0	R 27	57.10.1331		330R	MF, 1%, 0204						
0	R 28	57.10.1750		75R	MF, 1%, 0204						
0	R 29	57.11.3103		10k	MF, 1%, 0207						
0	R 30	57.10.1471		470R	MF, 1%, 0204						
0	R 31	57.11.3102		1k0	MF, 1%, 0207						
0	R 32	57.11.3105		1M0	MF, 1%, 0207						
0	R 33	57.11.3102		1k0	MF, 1%, 0207						
0	R 34	57.11.3102		1k0	MF, 1%, 0207						
0	R 35	57.10.1471		470R	MF, 1%, 0204						
0	R 36	57.11.3102		1k0	MF, 1%, 0207						
0	R 37	57.11.3102		1k0	MF, 1%, 0207						
0	RZ 1	57.88.4102		1k0	8*R Resistor-Netw 2% SIP9						
0	RZ 2	57.88.4102		1k0	8*R Resistor-Netw 2% SIP9						
0	RZ 3	57.88.4103		10k	8*R Resistor-Netw 2% SIP9						
0	RZ 4	57.88.4333		33k	8*R Resistor-Netw 2% SIP9						
0	S 1	55.03.0122		1*a	S 1 TASTE, 1*A, PRINT,IMPULS						
0	T 1	63.15.0021			RF - Trafo						
0	T 2	63.15.0001			IMPULSTRANSFORMATOR						
0	T 3	63.15.0001			IMPULSTRANSFORMATOR						
0	XDL 1	50.20.2501		Spacer	LED-Sockel						
0	XDL 2	50.20.2501		Spacer	LED-Sockel						
0	XDL 3	50.20.2501		Spacer	LED-Sockel						
0	XF 1	53.03.0118			XF 5 * 20, PRINT-LIEGEND						
0	XIC 8	53.03.0173		28p	DIL 0.6", lötl, gerade						
0	XIC 10	53.03.2284		84p	PLCC-Socket						
0	XIC 11	53.03.2252		52p	PLCC-Socket						
0	XIC 12	53.03.2244		44p	PLCC-Socket						
0	XIC 14	53.03.0165		20p	DIL 0.3", lötl, gerade						
0	XIC 15	53.03.0165		20p	DIL 0.3", lötl, gerade						
0	XIC 23	53.03.0166		8p	DIL 0.3", lötl, gerade						



Madi Optical 1.940.510.21



Modifikation					①
Änderung					②
					③
Edition	1.06.98	hm	WL	HM	④
Layout	SAF	RTA	BRUN	SEB	
Titel	SAF	RTA	BRUN	SEB	Index
Copy To:					
Apply Fun:					

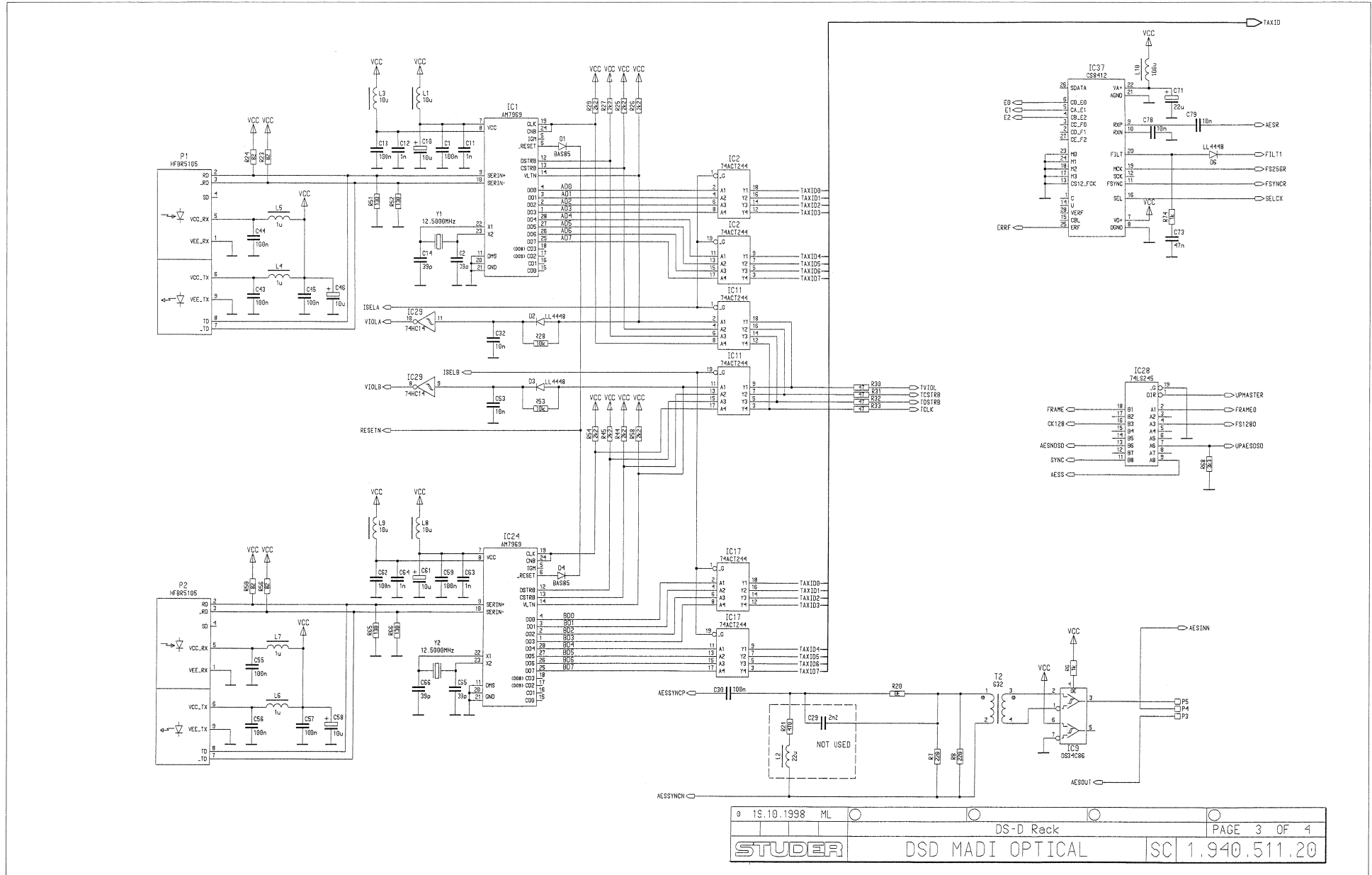


Madi Optical 1.940.510.21

Idx	Pos.	Part No.	Qty.	Type/Val.	Description	Idx	Pos.	Part No.	Qty.	Type/Val.	Description	Idx	Pos.	Part No.	Qty.	Type/Val.	Description		
0	C 1	not used				0	D 1	50.04.0127		BA785	200mA, Schottky	0	P 1	54.11.2009		96p	EU-R 3'32p		
0	C 2	59.06.0683	68n	PETP, 63V, 10%, RMS		0	D 2	50.04.0127		BA785	200mA, Schottky	0	P 2	54.01.0020		1p	Pin 0.63"0.63		
0	C 3	59.06.0683	68n	PETP, 63V, 10%, RMS		0	D 3	not used		1N4448	75V, 150mA, 4ns, DO-35	0	P 3	54.01.0020		1p	Pin 0.63"0.63		
0	C 4	59.06.0683	68n	PETP, 63V, 10%, RMS		0	D 4	not used		1N4448	75V, 150mA, 4ns, DO-35	0	P 4	54.01.0020		1p	Pin 0.63"0.63		
0	C 5	59.22.5220	22u	EL 25V 20% RMS		0	D 5	not used		1N4448	75V, 150mA, 4ns, DO-35	0	P 5	54.01.0020		1p	Pin 0.63"0.63		
0	C 6	59.06.0473	47n	PETP, 63V, 10%, RMS		0	D 6	not used		1N4448	75V, 150mA, 4ns, DO-35	0	P 6	54.01.0020		1p	Pin 0.63"0.63		
0	C 7	59.06.0104	100n	PETP, 63V, 10%, RMS		0	D 7	50.04.0125		1N4448	75V, 150mA, 4ns, DO-35	0	P 7	54.01.0020		1p	Pin 0.63"0.63		
0	C 8	59.06.0104	100n	PETP, 63V, 10%, RMS		0	DL 1	50.04.2202		HLMP1790	DL HLMP - 1790 GN	0	P 8	54.01.0020		1p	Pin 0.63"0.63		
0	C 9	59.06.0683	68n	PETP, 63V, 10%, RMS		0	DL 2	50.04.2202		HLMP1790	DL HLMP - 1790 GN	0	P 9	54.01.0020		1p	Pin 0.63"0.63		
0	C 10	59.32.4102	1n	C 1000 P, 20%, 50V, CER		0	DL 3	50.04.2201		HLMP1719	DL HLMP - 1719 GB	0	P 10	54.01.0020		1p	Pin 0.63"0.63		
0	C 11	not used	1n	C 1000 P, 20%, 50V, CER		0	DL 4	50.04.2202		HLMP1790	DL HLMP - 1790 GN	0	P 11	54.01.0020		1p	Pin 0.63"0.63		
0	C 12	59.06.0103	10n	PETP, 63V, 10%, RMS		0	F 1	51.01.0119		1.6A	T 5*20 L 250V	0	P 12	54.02.0320		1p	PCB-Flachst 2.8*0.8, gerade		
0	C 13	59.06.0473	47n	PETP, 63V, 10%, RMS		0	IC 1	50.17.7273		ACT273	... 74 ACT 273 .	0	P 13	54.02.0320		1p	PCB-Flachst 2.8*0.8, gerade		
0	C 14	59.34.2390	39p	CER 63V, 5%, N150		0	IC 2	50.13.0202		CS8412	IC CS 8412-CP, A	0	P 14	54.01.0020		1p	Pin 0.63"0.63		
0	C 15	59.34.2390	39p	CER 63V, 5%, N150		0	IC 3	50.11.0159		MAX1232	IC MAX 1232 CPA, DS 1232	0	P 15	54.01.0020		1p	Pin 0.63"0.63		
0	C 16	59.34.4101	100p	CER 63V, 5%, N750		0	IC 4	50.14.2103		93C46	EEPROM 64 * 16, serial	0	R 1	57.11.3102		10k	MF, 1%, 0207		
0	C 17	59.06.0683	68n	PETP, 63V, 10%, RMS		0	IC 5	50.11.1002		LM960	High speed Comparator	0	R 2	57.11.3102		10k	MF, 1%, 0207		
0	C 18	59.06.0104	100n	PETP, 63V, 10%, RMS		0	IC 6	50.03.0245		74LS245	SN 74 LLS 245 N	0	R 3	57.11.3103		10k	MF, 1%, 0207		
0	C 19	59.06.0103	10n	PETP, 63V, 10%, RMS		0	IC 7	89.10.0002		DLR6000	LWL-TAXI-Receiver	0	R 4	57.11.3103		10k	MF, 1%, 0207		
0	C 20	59.34.2270	27p	CER 63V, 5%, N150		0	IC 8	1.940.940.20			SW 500 MADI (50.14.2002)	0	R 5	57.11.3271		270R	MF, 1%, 0207		
0	C 21	59.34.2270	27p	CER 63V, 5%, N150		0	IC 9	50.14.0133		5565	IC HM 6264LR-15 A	0	R 6	57.11.3150		15R	MF, 1%, 0207		
0	C 22	59.34.2270	27p	CER 63V, 5%, N150		0	IC 10	50.63.4002		XC3030A-7	LCA 3000 / 3000 PLCC84	0	R 7	57.11.3103		10k	MF, 1%, 0207		
0	C 23	59.34.2270	27p	CER 63V, 5%, N150		0	IC 11	50.63.1702		CY7C130	Dualport SRAM, 1K*8	0	R 8	57.11.3103		10k	MF, 1%, 0207		
0	C 24	59.22.6100	10u	EL 35V 20% RMS		0	IC 12	50.63.0009		80C852	MPU 8bit	0	R 9	57.11.3102		10k	MF, 1%, 0207		
0	C 25	59.06.0683	68n	PETP, 63V, 10%, RMS		0	IC 13	50.17.0574		74HCT574	IC ... 74 HCT574 ., A	0	R 10	57.11.3102		10k	MF, 1%, 0207		
0	C 26	59.06.0683	68n	PETP, 63V, 10%, RMS		0	IC 14	50.08.1578		74ALS576	Octal D-Type FF, tri	0	R 11	57.11.3102		10k	MF, 1%, 0207		
0	C 27	59.06.0104	100n	PETP, 63V, 10%, RMS		0	IC 15	50.08.1578		74ALS576	Octal D-Type FF, tri	0	R 12	57.11.3471		470R	MF, 1%, 0207		
0	C 28	59.32.4102	1n	C 1000 P, 20%, 50V, CER		0	IC 16	not used		MAX9885	ECL Comparator, latching	0	R 13	57.11.3271		270R	MF, 1%, 0207		
0	C 29	59.06.0104	100n	PETP, 63V, 10%, RMS		0	IC 17	50.15.0201		SCC2691	IC SCC 2691 AE 1 N 24 . A	0	R 14	57.11.3150		15R	MF, 1%, 0207		
0	C 30	not used	1n	C 1000 P, 20%, 50V, CER		0	IC 18	50.17.5652		74AC652	Octal Bus Reg/Transceiver	0	R 15	57.11.3150		15R	MF, 1%, 0207		
0	C 31	not used	1u	"A, 20%, 35V		0	IC 19	50.14.1009		7C128A	SRAM 2K*8 35ns	0	R 16	not used		470R	MF, 1%, 0207		
0	C 32	not used	100n	PETP, 63V, 10%, RMS		0	IC 20	50.17.0573		74HCT573	IC ... 74 HCT573 ., A	0	R 17	57.11.3332		3K3	MF, 1%, 0207		
0	C 33	not used	100n	PETP, 63V, 10%, RMS		0	IC 21	50.17.1574		74HC574	IC ... 74 HC 574 ., A	0	R 18	57.11.3102		10k	MF, 1%, 0207		
0	C 34	not used	1u	"A, 20%, 35V		0	IC 22	50.17.1594		74HC594	IC ... 74 HC 594 ., A	0	R 19	not used		75R	MF, 1%, 0204		
0	C 35	not used	1n	C 1000 P, 20%, 50V, CER		0	IC 23	1.940.941.21		74HC595	IC ... 74 HC 595 ., A	0	R 20	not used		75R	MF, 1%, 0204		
0	C 36	not used	100n	PETP, 63V, 10%, RMS		0	IC 24	50.17.1595		75174	IC SN 75174 N	0	R 21	not used		330R	MF, 1%, 0204		
0	C 37	not used	47n	PETP, 63V, 10%, RMS		0	IC 25	50.15.0121		74HC589	MC 74 HC 589 N	0	R 22	not used		150R	MF, 1%, 0207		
0	C 38	not used	100n	PETP, 63V, 10%, RMS		0	IC 26	50.17.1589		74HC589	MC 74 HC 589 N	0	R 23	not used		75R	MF, 1%, 0204		
0	C 39	not used	100n	PETP, 63V, 10%, RMS		0	IC 27	50.17.1589		74HC589	MC 74 HC 589 N	0	R 24	not used		1K2	MF, 1%, 0204		
0	C 40	not used	100n	PETP, 63V, 10%, RMS		0	IC 28	not used		MAX9885	ECL Comparator, latching	0	R 25	not used		330R	MF, 1%, 0204		
0	C 41	59.22.3470	47u	EL 10V 20% RMS		0	IC 29	50.17.1004		74HC04	IC ... 74 HC 04 ., A	0	R 26	not used		330R	MF, 1%, 0204		
0	C 42	not used	100n	PETP, 63V, 10%, RMS		0	IC 30	50.13.0124		MAX860	V-Converter ... +5.5V to -5.5V	0	R 27	not used		75R	MF, 1%, 0204		
0	C 43	not used	1n	C 1000 P, 20%, 50V, CER		0	IC 31	50.15.0114		9637	Dual diff Line Receiver	0	R 28	not used		75R	MF, 1%, 0204		
0	C 44	59.22.4221	220u	EL 16V 20% RMS		0	J 3	54.01.0021		Jumper	0.63 * 0.63mm	0	R 29	57.11.3103		10k	MF, 1%, 0207		
0	C 45	59.06.0103	10n	PETP, 63V, 10%, RMS		0	J 4	54.01.0021		Jumper	0.63 * 0.63mm	0	R 30	not used		470R	MF, 1%, 0204		
0	C 46	59.06.0683	68n	PETP, 63V, 10%, RMS		0	J 3	54.01.0021		Jumper	0.63 * 0.63mm	0	R 31	57.11.3102		10k	MF, 1%, 0207		
0	C 47	59.06.0683	68n	PETP, 63V, 10%, RMS		0	J 4	54.01.0021		Jumper	0.63 * 0.63mm	0	R 32	57.11.3105		1M0	MF, 1%, 0207		
0	C 48	59.06.0683	68n	PETP, 63V, 10%, RMS		0	L 1	62.02.3101		100uH	10%, radial RM 5	0	R 33	57.11.3102		10k	MF, 1%, 0207		
0	C 49	59.06.0683	68n	PETP, 63V, 10%, RMS		0	L 2	62.02.3100		10uH	10%, radial RM 5	0	R 34	57.11.3102		10k	MF, 1%, 0207		
0	C 50	not used	47n	PETP, 63V, 10%, RMS		0	L 3	62.02.3100		10uH	10%, radial RM 5	0	R 35	not used		470R	MF, 1%, 0204		
0	C 51	not used	47n	PETP, 63V, 10%, RMS		0	L 4	62.02.3220		22uH	10%, radial RM 5	0	R 36	57.11.3102		10k	MF, 1%, 0207		
0	C 52	not used	100n	PETP, 63V, 10%, RMS		0	L 5	62.03.0001		10uH	1A Toroid Choke	0	R 37	57.11.3102		10k	MF, 1%, 0207		
0	C 53	59.34.0339	3p3	CER 63V, 5%, P100		0	L 6	62.02.3100		10uH	10%, radial RM 5	0	RZ 1	57.88.4102		1k0	8*R Resistor-Netw 2% SIP9		
0	C 54	not used	47n	PETP, 63V, 10%, RMS		0	L 7	not used		10uH	10%, radial RM 5	0	RZ 2	57.88.4102		1k0	8*R Resistor-Netw 2% SIP9		
0	C 55	not used	1n	C 1000 P, 20%, 50V, CER		0	L 8	not used		10uH	10%, radial RM 5	0	RZ 3	57.88.4103		10k	8*R Resistor-Netw 2% SIP9		
0	C 56	not used	1n	C 1000 P, 20%, 50V, CER		0	L 9	not used		10uH	10%, radial RM 5	0	RZ 4	57.88.4333		33k	8*R Resistor-Netw 2% SIP9		
0	C 57	59.22.6100	10u	EL 35V 20% RMS		0	L 10	not used		10uH	10%, radial RM 5	0	S 1	55.03.0122		1*A	S 1 TASTE, 1*A, PRINT,IMPULS		
0	C 58	59.22.4221	220u	EL 16V 20% RMS		0	L 11	not used		10uH	10%, radial RM 5	0	T 1	63.15.0021			RF - Triaf		
0	C 59	not used	1n	C 1000 P, 20%, 50V, CER		0	MP 1	1.940.500.11			D19M MADI PCB	0	T 2	not used			IMPULSTRANSFORMATOR		
0	C 60	not used	100n	PETP, 63V, 10%, RMS		0	MP 2	1.010.357.43			Baugruppenschild	0	T 3	not used			IMPULSTRANSFORMATOR		
0	C 61	not used	1n	C 1000 P, 20%, 50V, CER		0	MP 3	43.01.0108			Labsl								
0	C 62	not used	68n	PETP, 63V, 10%, RMS		0	MP 5	1.010.117.51			TEXT-ETIK 5*20 (T1.60A)	0	XDL 1	50.20.2501			Spacer	LED-Socket	
0	C 63	59.34.0339	3p3	CER 63V, 5%, P100		0	MP 7	1.010.915.50			Spacer		0	XDL 2	50.20.2501			Spacer	LED-Socket
0	C 64	59.06.0473	47n																

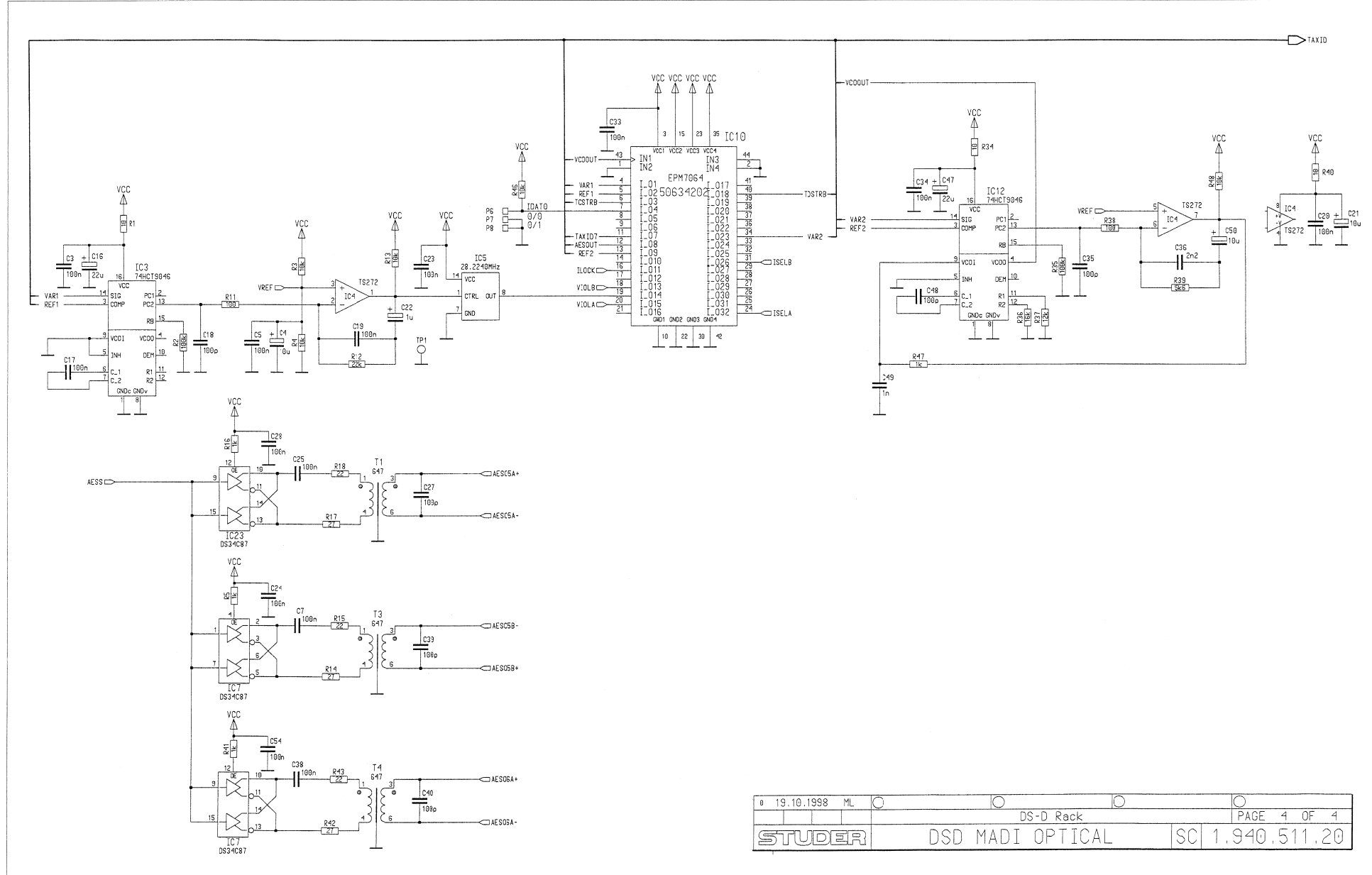


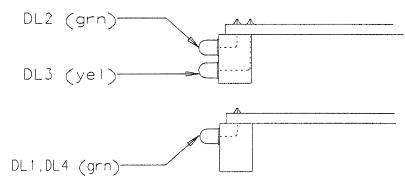
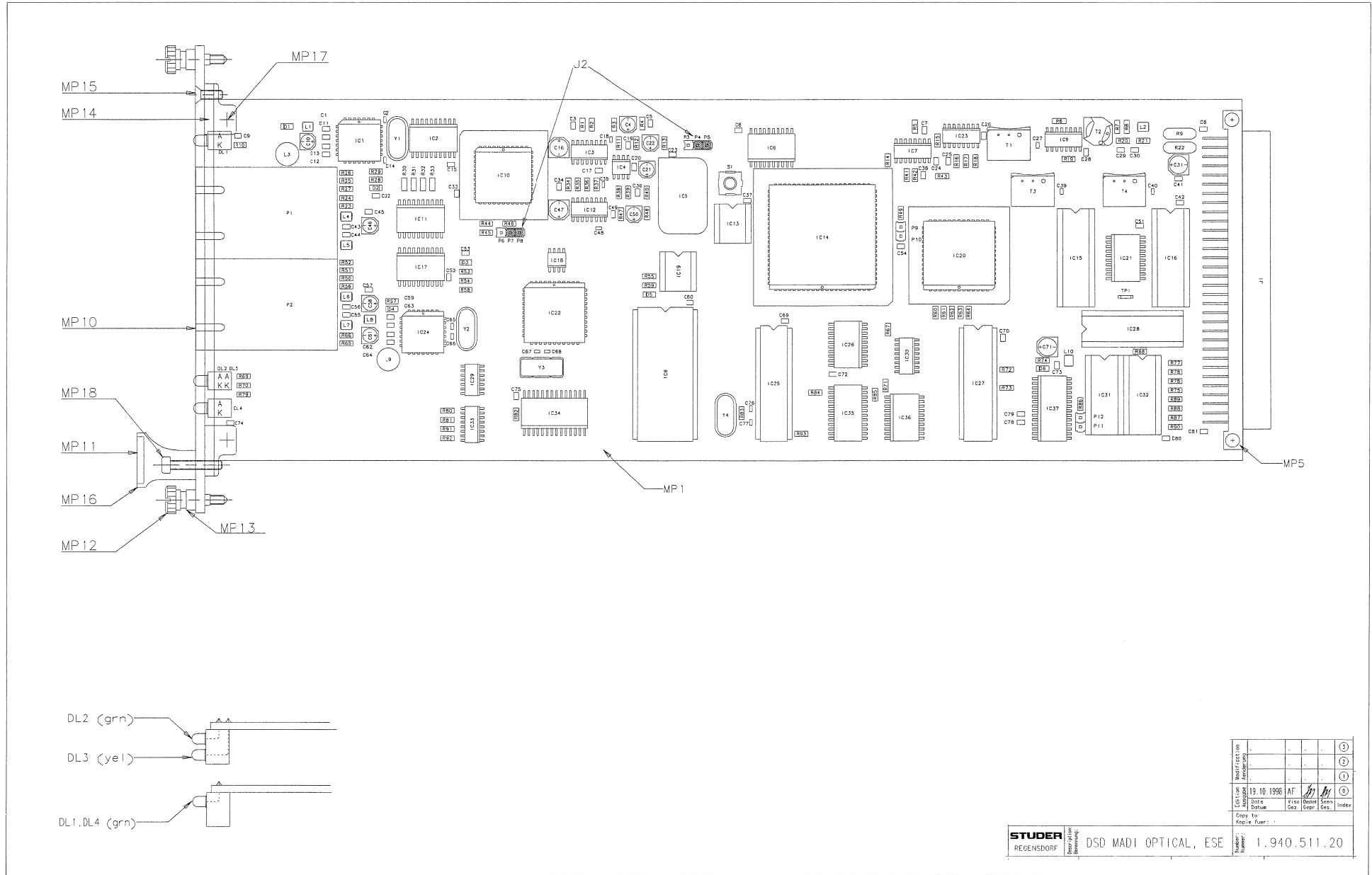
DSD Madi Optical 1.940.511.20





DSD Madi Optical 1.940.511.20





Classification							
Doc. No.	19.10.1998	AF					
Date							
Drawn							
Seen							
Index							

MADI Optical 1.940.511.21 (0)

Idx. Pos.	Part No.	Qty.	Type/Val.	Description	Idx. Pos.	Part No.	Qty.	Type/Val.	Description
0 C 1	59.60.3337	100n		CER 50V, 10%, X7R, 0805	0 DL 1	50.04.2202		HLMP1790	DL HLMP - 1790 GN
0 C 2	59.60.2239	39p		CER 50V, 5%, COG, 0603	0 DL 2	50.04.2202		HLMP1790	DL HLMP - 1790 GN
0 C 3	59.60.3337	100n		CER 50V, 10%, X7R, 0805	0 DL 3	50.04.2201		HLMP1719	DL HLMP - 1719 GB
0 C 4	59.68.0065	10u		EL 16V, 4.0*5.7	0 DL 4	50.04.2202		HLMP1790	DL HLMP - 1790 GN
0 C 5	59.60.3337	100n		CER 50V, 10%, X7R, 0805	0 IC 1	50.63.0205		AM7969	TAXI Chip Receiver
0 C 6	59.60.3337	100n		CER 50V, 10%, X7R, 0805	0 IC 2	50.62.6244		74ACT244	Octal bus line driver
0 C 7	59.60.3337	100n		CER 50V, 10%, X7R, 0805	0 IC 3	50.62.4946		74HCT9046	PLL with bandgap contr VCO
0 C 8	59.60.3337	100n		CER 50V, 10%, X7R, 0805	0 IC 4	50.61.0205		TS272CD	Dual Op-Amp CMOS SO 8
0 C 9	59.60.3337	100n		CER 50V, 10%, X7R, 0805	0 IC 5	89.01.1507		28.224MHz	VCXO Xtal-Oscillator voltage c
0 C 10	59.68.0065	10u		EL 16V, 4.0*5.7	0 IC 6	50.62.1273		74HC273	Octal D-FF with reset
0 C 11	59.60.2373	1n0		CER 50V, 5%, COG, 0805	0 IC 7	50.62.0464		DS34C87	4*RS 422 Line Driver
0 C 12	59.60.2373	1n0		CER 50V, 5%, COG, 0805	0 IC 8	1.940.940.20			SW 500 MADI (50.14.2002)
0 C 13	59.60.3337	100n		CER 50V, 10%, X7R, 0805	0 IC 9	50.62.0463		DS34C86	4*RS 422 Line Receiver
0 C 14	59.60.2239	39p		CER 50V, 5%, COG, 0603	0 IC 10	1.680.904.21			SW 050 MADILOCK (50.63.4202)
0 C 15	59.60.3337	100n		CER 50V, 10%, X7R, 0805	0 IC 11	50.62.6244		74ACT244	Octal bus line driver
0 C 16	59.68.0067	22u		EL 16V, 5.0*5.7	0 IC 12	50.62.4946		74HCT9046	PLL with bandgap contr VCO
0 C 17	59.60.3337	100n		CER 50V, 10%, X7R, 0805	0 IC 13	50.11.0159		MAX1232	IC MAX 1232 CPA, DS 1232
0 C 18	59.60.2249	100p		CER 50V, 5%, COG, 0603	0 IC 14	50.63.4002		XC3030A-7	LCA 3000 / 3000 PLCC84
0 C 19	59.60.3337	100n		CER 50V, 10%, X7R, 0805	0 IC 15	50.06.1576		74ALS576	Octal D-Type FF, tri
0 C 20	59.60.3337	100n		CER 50V, 10%, X7R, 0805	0 IC 16	50.06.1576		74ALS576	Octal D-Type FF, tri
0 C 21	59.68.0065	10u		EL 16V, 4.0*5.7	0 IC 17	not used		74ACT244	Octal bus line driver
0 C 22	59.68.0127	1u0		EL 50V, 4.0*5.7	0 IC 18	50.63.1108		93C46	EEPROM 64*16, SO 8
0 C 23	59.60.3337	100n		CER 50V, 10%, X7R, 0805	0 IC 19	1.940.941.21			SW 500 MADIIN (50.14.1501)
0 C 24	59.60.3337	100n		CER 50V, 10%, X7R, 0805	0 IC 20	50.63.1702		CY7C130	Dualport SRAM, 1K*8
0 C 25	59.60.3337	100n		CER 50V, 10%, X7R, 0805	0 IC 21	50.62.3574		74HCT574	Octal D-FF
0 C 26	59.60.3337	100n		CER 50V, 10%, X7R, 0805	0 IC 22	50.63.0009		80C652	MPU 8bit
0 C 27	59.60.2249	100p		CER 50V, 5%, COG, 0603	0 IC 23	50.62.0464		DS34C87	4*RS 422 Line Driver
0 C 28	59.60.3337	100n		CER 50V, 10%, X7R, 0805	0 IC 24	not used		AM7969	TAXI Chip Receiver
0 C 29	not used	2n2		CER 50V, 10%, X7R, 0805	0 IC 25	50.16.0201		SCC2691	IC SCC 2691 AE 1 N 24 A
0 C 30	59.60.3337	100n		CER 50V, 10%, X7R, 0805	0 IC 26	50.62.3573		74HCT573	Octal D-type latch
0 C 31	59.68.0067	22u		EL 16V, 5.0*5.7	0 IC 27	50.14.1009		7C128A	SRAM 2K*8 35ns
0 C 32	59.60.3325	10n		CER 50V, 10%, X7R, 0805	0 IC 28	50.06.0245		74LS245	SN 74 LS 245 N
0 C 33	59.60.3337	100n		CER 50V, 10%, X7R, 0805	0 IC 29	50.62.1014		74HC 14	Hex Schmitt trigger inverter
0 C 34	59.60.3337	100n		CER 50V, 10%, X7R, 0805	0 IC 30	50.62.1595		74HC595	8bit shift/output register
0 C 35	59.60.2249	100p		CER 50V, 5%, COG, 0603	0 IC 31	50.17.1589		74HC589	MC 74 HC 589 N
0 C 36	59.60.3317	2n2		CER 50V, 10%, X7R, 0805	0 IC 32	50.17.1589		74HC589	MC 74 HC 589 N
0 C 37	59.60.3337	100n		CER 50V, 10%, X7R, 0805	0 IC 33	50.62.1595		74HC595	8bit shift/output register
0 C 38	59.60.3337	100n		CER 50V, 10%, X7R, 0805	0 IC 34	50.63.1502		6264	SRAM 8K*8, 120ns
0 C 39	59.60.2249	100p		CER 50V, 5%, COG, 0603	0 IC 35	50.62.2652		74ALS652	Octal bus transceiver & reg.
0 C 40	59.60.2249	100p		CER 50V, 5%, COG, 0603	0 IC 36	50.62.1574		74HC574	Octal D-FF
0 C 41	59.60.3337	100n		CER 50V, 10%, X7R, 0805	0 IC 37	50.62.0913		CS8412	AES-Receiver
0 C 42	59.60.3337	100n		CER 50V, 10%, X7R, 0805	0 J 1	54.11.2009		96p	EU-R 3*32p
0 C 43	59.60.3337	100n		CER 50V, 10%, X7R, 0805	0 J 2	54.01.0021 2 pcs		Jumper	0.63*0.63mm, Au
0 C 44	59.60.3337	100n		CER 50V, 10%, X7R, 0805	0 L 1	62.60.0113		10uH	SMD 10% 1210
0 C 45	59.60.3337	100n		CER 50V, 10%, X7R, 0805	0 L 2	not used		22uH	SMD 10% 1210
0 C 46	59.68.0065	10u		EL 16V, 4.0*5.7	0 L 3	62.02.3100		10uH	10%, radial RM 5
0 C 47	59.68.0067	22u		EL 16V, 5.0*5.7	0 L 4	62.60.0101		1u0	SMD 10% 1210
0 C 48	59.60.2249	100p		CER 50V, 5%, COG, 0603	0 L 5	62.60.0101		1u0	SMD 10% 1210
0 C 49	59.60.2373	1n0		CER 50V, 5%, COG, 0805	0 L 6	62.60.0101		1u0	SMD 10% 1210
0 C 50	59.68.0065	10u		EL 16V, 4.0*5.7	0 L 7	62.60.0101		1u0	SMD 10% 1210
0 C 51	59.60.3337	100n		CER 50V, 10%, X7R, 0805	0 L 8	62.60.0113		10uH	SMD 10% 1210
0 C 52	59.60.3337	100n		CER 50V, 10%, X7R, 0805	0 L 9	not used		10uH	10%, radial RM 5
0 C 53	59.60.3325	10n		CER 50V, 10%, X7R, 0805	0 L 10	62.60.0125		100uH	SMD 10% 1210
0 C 54	59.60.3337	100n		CER 50V, 10%, X7R, 0805	0 MP 1	1.940.511.11 1 pce			D19M MADI PCB
0 C 55	59.60.3337	100n		CER 50V, 10%, X7R, 0805	0 MP 2	43.01.0108 1 pce		Label	ESE-WARNschild
0 C 56	59.60.3337	100n		CER 50V, 10%, X7R, 0805	0 MP 3	1.940.512.04 1 pce			TYPENSCHILD
0 C 57	59.60.3337	100n		CER 50V, 10%, X7R, 0805	0 MP 4	1.101.001.20 1 pce		Label	TEXT-ETIK. 5*20 HARDWARE -20
0 C 58	59.68.0065	10u		EL 16V, 4.0*5.7	0 MP 5	28.99.0119 2 pcs			ROHRNIETE D 2.5*0.15* 9
0 C 59	59.60.3337	100n		CER 50V, 10%, X7R, 0805	0 MP 10	1.940.511.01			Frontplatte MADI
0 C 60	59.60.3337	100n		CER 50V, 10%, X7R, 0805	0 MP 11	1.940.600.04 1 pce			GRIFFEINLAGE 4TE
0 C 61	59.68.0065	10u		EL 16V, 4.0*5.7	0 MP 12	49.02.0520 2 pcs		M2.5*12	Rändelschraube (Rack)
0 C 62	59.60.3337	100n		CER 50V, 10%, X7R, 0805	0 MP 13	49.02.0521 2 pcs			Metall-Buchse (Rack)
0 C 63	59.60.2373	1n0		CER 50V, 5%, COG, 0805	0 MP 14	49.02.0522 2 pcs			Kartenhalter mit Z-Schr
0 C 64	59.60.2373	1n0		CER 50V, 5%, COG, 0805	0 MP 15	49.02.0523 1 pce		M2.5*7	Senk-Schr, KS, Senkripp
0 C 65	59.60.2239	39p		CER 50V, 5%, COG, 0603	0 MP 16	49.02.0504 1 pce		4TE	Frontplatten-Griff
0 C 66	59.60.2239	39p		CER 50V, 5%, COG, 0603	0 MP 17	not used		M2.5*6	Z-Schraube Inbus Zn gb chr
0 C 67	59.60.2235	27p		CER 50V, 5%, COG, 0603	0 MP 18	21.53.0284 1 pce		M2.5*16	Z-Schraube Inbus Zn gb chr
0 C 68	59.60.2235	27p		CER 50V, 5%, COG, 0603	0 P 1	89.10.0021		HFBR5103	LWL Transceiver FDDI/MADI
0 C 69	59.60.3337	100n		CER 50V, 10%, X7R, 0805	0 P 2	not used		HFBR5103	LWL Transceiver FDDI/MADI
0 C 70	59.60.3337	100n		CER 50V, 10%, X7R, 0805	0 P 3	54.01.0020		1p	Pin, 1reihig, gerade
0 C 71	59.68.0067	22u		EL 16V, 5.0*5.7	0 P 4	54.01.0020		1p	Pin, 1reihig, gerade
0 C 72	59.60.3337	100n		CER 50V, 10%, X7R, 0805	0 P 5	54.01.0020		1p	Pin, 1reihig, gerade
0 C 73	59.60.3333	47n		CER 50V, 10%, X7R, 0805	0 P 6	54.01.0020		1p	Pin, 1reihig, gerade
0 C 74	59.60.3337	100n		CER 50V, 10%, X7R, 0805	0 P 7	54.01.0020		1p	Pin, 1reihig, gerade
0 C 75	59.60.3337	100n		CER 50V, 10%, X7R, 0805	0 P 8	54.01.0020		1p	Pin, 1reihig, gerade
0 C 76	59.60.2225	10p		CER 50V, 5%, COG, 0603	0 P 9	54.01.0020		1p	Pin, 1reihig, gerade
0 C 77	59.60.2225	10p		CER 50V, 5%, COG, 0603	0 P 10	54.01.0020		1p	Pin, 1reihig, gerade
0 C 78	59.60.3325	10n		CER 50V, 10%, X7R, 0805	0 P 11	54.01.0020		1p	Pin, 1reihig, gerade
0 C 79	59.60.3325	10n		CER 50V, 10%, X7R, 0805	0 P 12	54.01.0020		1p	Pin, 1reihig, gerade
0 C 80	59.60.3337	100n		CER 50V, 10%, X7R, 0805	0 R 1	57.60.1100		10R	MF, 1%, 0204, E24
0 C 81	59.60.3337	100n		CER 50V, 10%, X7R, 0805	0 R 2	57.60.1104		100k	MF, 1%, 0204, E24
0 D 1	50.60.8101	BAS85		200mA 30V Schottky SOD 80	0 R 3	57.60.1103		10k	MF, 1%, 0204, E24
0 D 2	50.60.8001	4448		200mA 75V 4ns SOD 80	0 R 4	57.60.1103		10k	MF, 1%, 0204, E24
0 D 3	50.60.8001	4448		200mA 75V 4ns SOD 80	0 R 5	57.60.1102		1k0	MF, 1%, 0204, E24
0 D 4	50.60.8101	BAS85		200mA 30V Schottky SOD 80	0 R 6	57.60.1102		1k0	MF, 1%, 0204, E24
0 D 5	50.60.8101	BAS85		200mA 30V Schottky SOD 80	0 R 7	57.60.1221		220R	MF, 1%, 0204, E24
0 D 6	50.60.8001	4448		200mA 75V 4ns SOD 80	0 R 8	57.60.1221		220R	MF, 1%, 0204, E24

MADI Optical 1.940.511.21 (0)

Idx. Pos.	Part No.	Qty.	Type/Val.	Description
0 R 9	57.92.7051		1.1A	PTC 30V
0 R 10	57.60.1102		1k0	MF, 1%, 0204, E24
0 R 11	57.60.1101		100R	MF, 1%, 0204, E24
0 R 12	57.60.1223		22k	MF, 1%, 0204, E24
0 R 13	57.60.1103		10k	MF, 1%, 0204, E24
0 R 14	57.60.1270		27R	MF, 1%, 0204, E24
0 R 15	57.60.1220		22R	MF, 1%, 0204, E24
0 R 16	57.60.1102		1k0	MF, 1%, 0204, E24
0 R 17	57.60.1270		27R	MF, 1%, 0204, E24
0 R 18	57.60.1220		22R	MF, 1%, 0204, E24
0 R 19	57.60.1102		1k0	MF, 1%, 0204, E24
0 R 20	57.60.1000		0R0	MF, 0204
0 R 21	not used		470R	MF, 1%, 0204, E24
0 R 22	57.92.7051		1.1A	PTC 30V
0 R 23	57.60.1820		82R	MF, 1%, 0204, E24
0 R 24	57.60.1820		82R	MF, 1%, 0204, E24
0 R 25	57.60.1222		2k2	MF, 1%, 0204, E24
0 R 26	57.60.1222		2k2	MF, 1%, 0204, E24
0 R 27	57.60.1222		2k2	MF, 1%, 0204, E24
0 R 28	57.60.1103		10k	MF, 1%, 0204, E24
0 R 29	57.60.1222		2k2	MF, 1%, 0204, E24
0 R 30	57.60.1470		47R	MF, 1%, 0204, E24
0 R 31	57.60.1470		47R	MF, 1%, 0204, E24
0 R 32	57.60.1470		47R	MF, 1%, 0204, E24
0 R 33	57.60.1470		47R	MF, 1%, 0204, E24
0 R 34	57.60.1100		10R	MF, 1%, 0204, E24
0 R 35	57.60.1104		100k	MF, 1%, 0204, E24
0 R 36	57.60.1163		16k	MF, 1%, 0204, E24
0 R 37	57.60.1123		12k	MF, 1%, 0204, E24
0 R 38	57.60.1101		100R	MF, 1%, 0204, E24
0 R 39	57.60.1562		5k6	MF, 1%, 0204, E24
0 R 40	57.60.1100		10R	MF, 1%, 0204, E24
0 R 41	57.60.1102		1k0	MF, 1%, 0204, E24
0 R 42	57.60.1270		27R	MF, 1%, 0204, E24
0 R 43	57.60.1220		22R	MF, 1%, 0204, E24
0 R 44	57.60.1222		2k2	MF, 1%, 0204, E24
0 R 45	57.60.1222		2k2	MF, 1%, 0204, E24
0 R 46	57.60.1103		10k	MF, 1%, 0204, E24
0 R 47	57.60.1102		1k0	MF, 1%, 0204, E24
0 R 48	57.60.1103		10k	MF, 1%, 0204, E24
0 R 49	57.60.1102		1k0	MF, 1%, 0204, E24
0 R 50	57.60.1820		82R	MF, 1%, 0204, E24
0 R 51	57.60.1131		130R	MF, 1%, 0204, E24
0 R 52	57.60.1131		130R	MF, 1%, 0204, E24
0 R 53	57.60.1103		10k	MF, 1%, 0204, E24
0 R 54	57.60.1222		2k2	MF, 1%, 0204, E24
0 R 55	57.60.1332		3k3	MF, 1%, 0204, E24
0 R 56	57.60.1820		82R	MF, 1%, 0204, E24
0 R 57	57.60.1332		3k3	MF, 1%, 0204, E24
0 R 58	57.60.1222		2k2	MF, 1%, 0204, E24
0 R 59	57.60.1102		1k0	MF, 1%, 0204, E24
0 R 60	57.60.1102		1k0	MF, 1%, 0204, E24
0 R 61	57.60.1102		1k0	MF, 1%, 0204, E24
0 R 62	57.60.1102		1k0	MF, 1%, 0204, E24
0 R 63	57.60.1102		1k0	MF, 1%, 0204, E24
0 R 64	57.60.1102		1k0	MF, 1%, 0204, E24
0 R 65	57.60.1131		130R	MF, 1%, 0204, E24
0 R 66	57.60.1131		130R	MF, 1%, 0204, E24
0 R 67	57.60.1102		1k0	MF, 1%, 0204, E24
0 R 68	57.60.1332		3k3	MF, 1%, 0204, E24
0 R 69	57.60.1102		1k0	MF, 1%, 0204, E24
0 R 70	57.60.1102		1k0	MF, 1%, 0204, E24
0 R 71	57.60.1102		1k0	MF, 1%, 0204, E24
0 R 72	57.60.1102		1k0	MF, 1%, 0204, E24
0 R 73	57.60.1102		1k0	MF, 1%, 0204, E24
0 R 74	57.60.1102		1k0	MF, 1%, 0204, E24
0 R 75	57.60.1333		33k	MF, 1%, 0204, E24
0 R 76	57.60.1333		33k	MF, 1%, 0204, E24
0 R 77	57.60.1333		33k	MF, 1%, 0204, E24
0 R 78	57.60.1333		33k	MF, 1%, 0204, E24
0 R 79	57.60.1102		1k0	MF, 1%, 0204, E24
0 R 80	57.60.1332		3k3	MF, 1%, 0204, E24
0 R 81	57.60.1332		3k3	MF, 1%, 0204, E24
0 R 82	57.60.1102		1k0	MF, 1%, 0204, E24
0 R 83	57.60.1105		1M	MF, 1%, 0204, E24
0 R 84	57.60.1102		1k0	MF, 1%, 0204, E24
0 R 85	57.60.1102		1k0	MF, 1%, 0204, E24
0 R 86	57.60.1103		10k	MF, 1%, 0204, E24
0 R 87	57.60.1333		33k	MF, 1%, 0204, E24
0 R 88	57.60.1333		33k	MF, 1%, 0204, E24
0 R 89	57.60.1333		33k	MF, 1%, 0204, E24
0 R 90	57.60.1333		33k	MF, 1%, 0204, E24
0 R 91	57.60.1332		3k3	MF, 1%, 0204, E24
0 R 92	57.60.1332		3k3	MF, 1%, 0204, E24
0 R 93	57.60.1332		3k3	MF, 1%, 0204, E24
0 S 1	55.60.0201		1*s	SMD Tactswitch
0 T 1	1.022.647.00		1:1.4	OUTPUT TRAF0 AES/EBU

Idx. Pos.	Part No.	Qty.	Type/Val.	Description
0 T 2	1.022.632.00		1:1	DI/DO TRANSFORMER
0 T 3	1.022.647.00		1:1.4	OUTPUT TRAF0 AES/EBU
0 T 4	1.022.647.00		1:1.4	OUTPUT TRAF0 AES/EBU
0 TP 1	54.02.0320		1p	PCB-Flachst 2.8*0.8, gerade
0 XDL 1	50.20.2501		Spacer	LED-Sockel
0 XDL 2	50.20.2501		Spacer	LED-Sockel
0 XDL 4	50.20.2501		Spacer	LED-Sockel
0 XIC 8	53.03.0173		28p	DIL 0.6", löt, gerade
0 XIC 10	53.03.2244		44p	PLCC-Socket
0 XIC 14	53.03.2284		84p	PLCC-Socket
0 XIC 19	53.03.0166		8p	DIL 0.3", löt, gerade
0 XIC 20	53.03.2252		52p	PLCC-Socket
0 XY 1	89.01.1499	1 pce		QUARZ - ISOLIERPLATTE
0 XY 2	not used	1 pce		QUARZ - ISOLIERPLATTE
0 XY 4	89.01.1499	1 pce		QUARZ - ISOLIERPLATTE
0 Y 1	89.01.1013		12.500MHz	XTAL HC 49/U
0 Y 2	89.01.1013		12.500MHz	XTAL HC 49/U
0 Y 3	89.60.1003		12.000MHz	SMD Quartz
0 Y 4	89.01.1002		3.6864MHz	XTAL HC 18 U

End of List

MADI Optical, Redundant Input 1.940.512.21 (0)

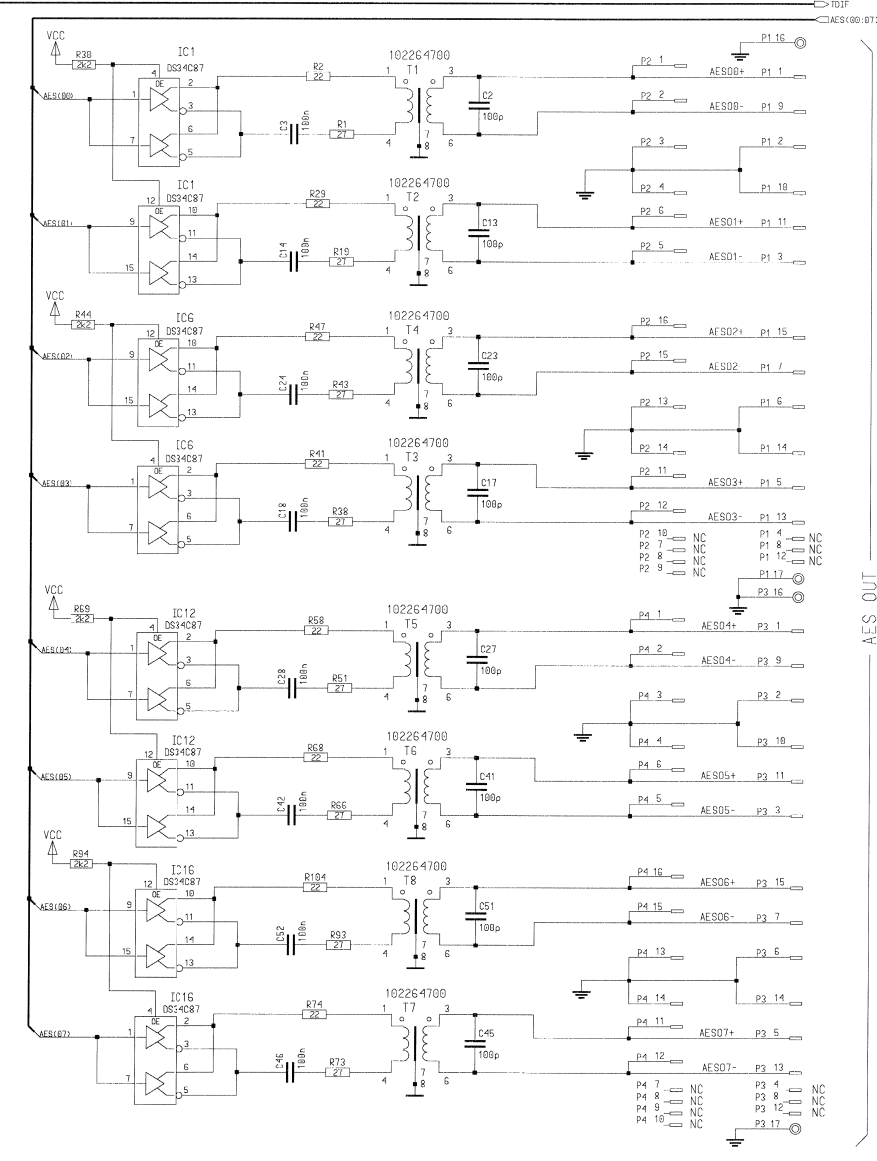
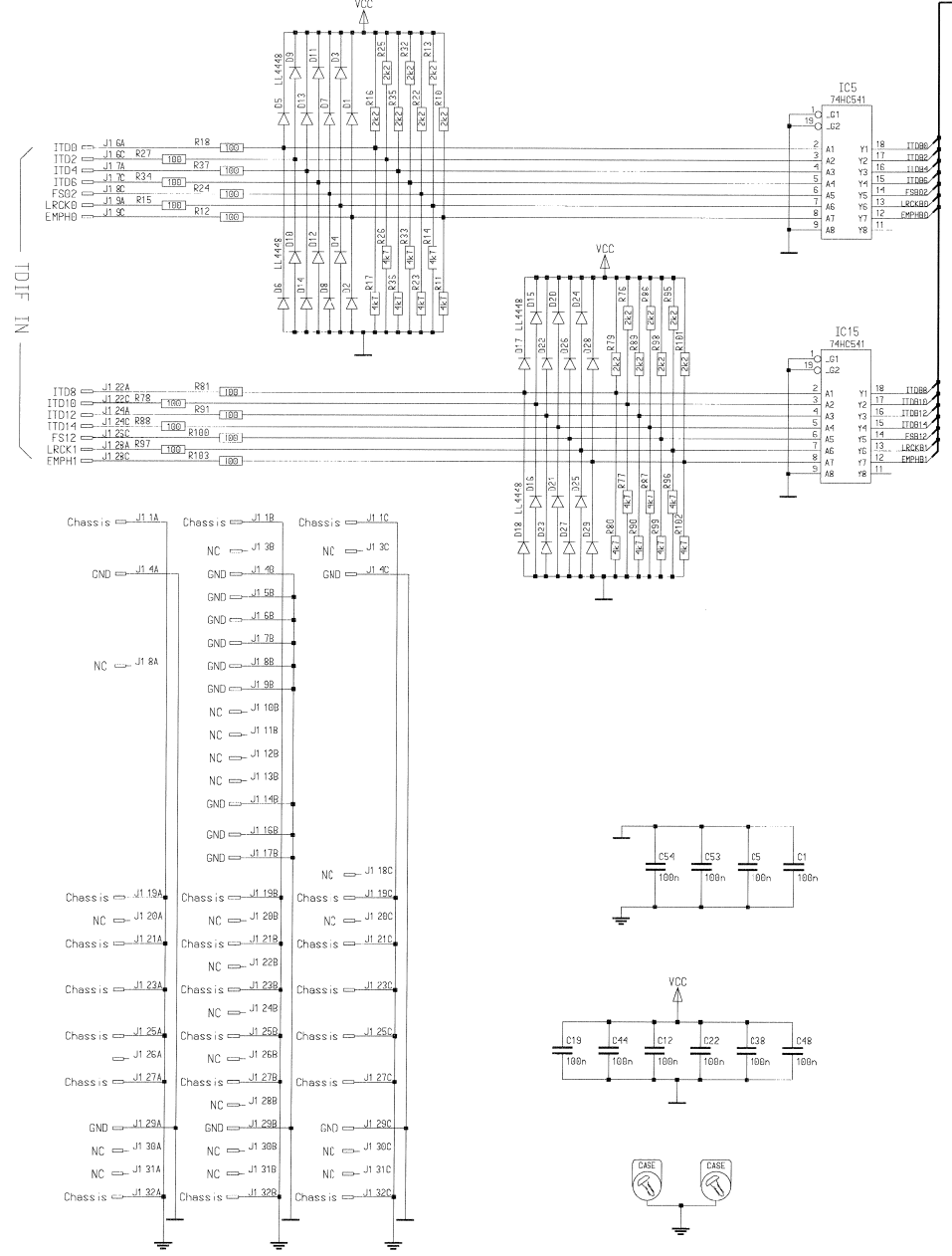
Idx. Pos.	Part No.	Qty.	Type/Val.	Description	Idx. Pos.	Part No.	Qty.	Type/Val.	Description
0 C 1	59.60.3337	100n		CER 50V, 10%, X7R, 0805	0 DL 1	50.04.2202		HLMP1790	DL HLMP - 1790 GN
0 C 2	59.60.2239	39p		CER 50V, 5%, COG, 0603	0 DL 2	50.04.2202		HLMP1790	DL HLMP - 1790 GN
0 C 3	59.60.3337	100n		CER 50V, 10%, X7R, 0805	0 DL 3	50.04.2201		HLMP1719	DL HLMP - 1719 GB
0 C 4	59.68.0065	10u		EL 16V, 4.0*5.7	0 DL 4	50.04.2202		HLMP1790	DL HLMP - 1790 GN
0 C 5	59.60.3337	100n		CER 50V, 10%, X7R, 0805	0 IC 1	50.63.0205		AM7969	TAXI Chip Receiver
0 C 6	59.60.3337	100n		CER 50V, 10%, X7R, 0805	0 IC 2	50.62.6244		74ACT244	Octal bus line driver
0 C 7	59.60.3337	100n		CER 50V, 10%, X7R, 0805	0 IC 3	50.62.4946		74HCT9046	PLL with bandgap contr VCO
0 C 8	59.60.3337	100n		CER 50V, 10%, X7R, 0805	0 IC 4	50.61.0205		TS272CD	Dual Op-Amp CMOS SO 8
0 C 9	59.60.3337	100n		CER 50V, 10%, X7R, 0805	0 IC 5	89.01.1507		28.224MHz	VXCO Xtal-Oscillator voltage c
0 C 10	59.68.0065	10u		EL 16V, 4.0*5.7	0 IC 6	50.62.1273		74HC273	Octal D-FF with reset
0 C 11	59.60.2373	1n0		CER 50V, 5%, COG, 0805	0 IC 7	50.62.0464		DS34C87	4*RS 422 Line Driver
0 C 12	59.60.2373	1n0		CER 50V, 5%, COG, 0805	0 IC 8	1.940.940.20			SW 500 MADI (50.14.2002)
0 C 13	59.60.3337	100n		CER 50V, 10%, X7R, 0805	0 IC 9	50.62.0463		DS34C86	4*RS 422 Line Receiver
0 C 14	59.60.2239	39p		CER 50V, 5%, COG, 0603	0 IC 10	1.680.904.21			SW 050 MADILOCK (50.63.4202)
0 C 15	59.60.3337	100n		CER 50V, 10%, X7R, 0805	0 IC 11	50.62.6244		74ACT244	Octal bus line driver
0 C 16	59.68.0067	22u		EL 16V, 5.0*5.7	0 IC 12	50.62.4946		74HCT9046	PLL with bandgap contr VCO
0 C 17	59.60.3337	100n		CER 50V, 10%, X7R, 0805	0 IC 13	50.11.0159		MAX1232	IC MAX 1232 CPA, DS 1232
0 C 18	59.60.2249	100p		CER 50V, 5%, COG, 0603	0 IC 14	50.63.4002		XC3030A-7	LCA 3000 / 3000 PLCC84
0 C 19	59.60.3337	100n		CER 50V, 10%, X7R, 0805	0 IC 15	50.06.1576		74ALS576	Octal D-Type FF, tri
0 C 20	59.60.3337	100n		CER 50V, 10%, X7R, 0805	0 IC 16	50.06.1576		74ALS576	Octal D-Type FF, tri
0 C 21	59.68.0065	10u		EL 16V, 4.0*5.7	0 IC 17	50.62.6244		74ACT244	Octal bus line driver
0 C 22	59.68.0127	1u0		EL 50V, 4.0*5.7	0 IC 18	50.63.1108		93C46	EEPROM 64*16, SO 8
0 C 23	59.60.3337	100n		CER 50V, 10%, X7R, 0805	0 IC 19	1.940.941.21			SW 500 MADIIN (50.14.1501)
0 C 24	59.60.3337	100n		CER 50V, 10%, X7R, 0805	0 IC 20	50.63.1702		CY7C130	Dualport SRAM, 1K*8
0 C 25	59.60.3337	100n		CER 50V, 10%, X7R, 0805	0 IC 21	50.62.3574		74HCT574	Octal D-FF
0 C 26	59.60.3337	100n		CER 50V, 10%, X7R, 0805	0 IC 22	50.63.0009		80C852	MPU 8bit
0 C 27	59.60.2249	100p		CER 50V, 5%, COG, 0603	0 IC 23	50.62.0464		DS34C87	4*RS 422 Line Driver
0 C 28	59.60.3337	100n		CER 50V, 10%, X7R, 0805	0 IC 24	50.63.0205		AM7969	TAXI Chip Receiver
0 C 29	not used	2n2		CER 50V, 10%, X7R, 0805	0 IC 25	50.16.0201		SCC2691	IC SCC 2691 AE 1 N 24 A
0 C 30	59.60.3337	100n		CER 50V, 10%, X7R, 0805	0 IC 26	50.62.3573		74HCT573	Octal D-type latch
0 C 31	59.68.0067	22u		EL 16V, 5.0*5.7	0 IC 27	50.14.1009		7C128A	SRAM 2K*8 35ns
0 C 32	59.60.3325	10n		CER 50V, 10%, X7R, 0805	0 IC 28	50.06.0245		74LS245	SN 74 LS 245 N
0 C 33	59.60.3337	100n		CER 50V, 10%, X7R, 0805	0 IC 29	50.62.1014		74HC 14	Hex Schmitt trigger inverter
0 C 34	59.60.3337	100n		CER 50V, 10%, X7R, 0805	0 IC 30	50.62.1595		74HC595	8bit shift/output register
0 C 35	59.60.2249	100p		CER 50V, 5%, COG, 0603	0 IC 31	50.17.1589		74HC589	MC 74 HC 589 N
0 C 36	59.60.3317	2n2		CER 50V, 10%, X7R, 0805	0 IC 32	50.17.1589		74HC589	MC 74 HC 589 N
0 C 37	59.60.3337	100n		CER 50V, 10%, X7R, 0805	0 IC 33	50.62.1595		74HC595	8bit shift/output register
0 C 38	59.60.3337	100n		CER 50V, 10%, X7R, 0805	0 IC 34	50.63.1502		6264	SRAM 8K*8, 120ns
0 C 39	59.60.2249	100p		CER 50V, 5%, COG, 0603	0 IC 35	50.62.2652		74ALS652	Octal bus transceiver & reg.
0 C 40	59.60.2249	100p		CER 50V, 5%, COG, 0603	0 IC 36	50.62.1574		74HC574	Octal D-FF
0 C 41	59.60.3337	100n		CER 50V, 10%, X7R, 0805	0 IC 37	50.62.0913		CS8412	AES-Receiver
0 C 42	59.60.3337	100n		CER 50V, 10%, X7R, 0805	0 J 1	54.11.2009		96p	EU-R 3*32p
0 C 43	59.60.3337	100n		CER 50V, 10%, X7R, 0805	0 J 2	54.01.0021 2 pcs		Jumper	0.63*0.63mm, Au
0 C 44	59.60.3337	100n		CER 50V, 10%, X7R, 0805	0 L 1	62.60.0113		10uH	SMD 10% 1210
0 C 45	59.60.3337	100n		CER 50V, 10%, X7R, 0805	0 L 2	not used		22uH	SMD 10% 1210
0 C 46	59.68.0065	10u		EL 16V, 4.0*5.7	0 L 3	62.02.3100		10uH	10%, radial RM 5
0 C 47	59.68.0067	22u		EL 16V, 5.0*5.7	0 L 4	62.60.0101		1u0	SMD 10% 1210
0 C 48	59.60.2249	100p		CER 50V, 5%, COG, 0603	0 L 5	62.60.0101		1u0	SMD 10% 1210
0 C 49	59.60.2373	1n0		CER 50V, 5%, COG, 0805	0 L 6	62.60.0101		1u0	SMD 10% 1210
0 C 50	59.68.0065	10u		EL 16V, 4.0*5.7	0 L 7	62.60.0101		1u0	SMD 10% 1210
0 C 51	59.60.3337	100n		CER 50V, 10%, X7R, 0805	0 L 8	62.60.0113		10uH	SMD 10% 1210
0 C 52	59.60.3337	100n		CER 50V, 10%, X7R, 0805	0 L 9	62.02.3100		10uH	10%, radial RM 5
0 C 53	59.60.3325	10n		CER 50V, 10%, X7R, 0805	0 L 10	62.60.0125		100uH	SMD 10% 1210
0 C 54	59.60.3337	100n		CER 50V, 10%, X7R, 0805	0 MP 1	1.940.511.11 1 pce			D19M MADI PCB
0 C 55	59.60.3337	100n		CER 50V, 10%, X7R, 0805	0 MP 2	43.01.0108 1 pce		Label	ESE-WARNschild
0 C 56	59.60.3337	100n		CER 50V, 10%, X7R, 0805	0 MP 3	1.940.512.04 1 pce			TYPENSCHILD
0 C 57	59.60.3337	100n		CER 50V, 10%, X7R, 0805	0 MP 4	1.101.001.20 1 pce		Label	TEXT-ETIK. 5*20 HARDWARE -20
0 C 58	59.68.0065	10u		EL 16V, 4.0*5.7	0 MP 5	28.99.0119 2 pcs			ROHRNIETE D 2.5*0.15* 9
0 C 59	59.60.3337	100n		CER 50V, 10%, X7R, 0805	0 MP 10	1.940.512.01 1 pce			Frontplatte MADI redundant in
0 C 60	59.60.3337	100n		CER 50V, 10%, X7R, 0805	0 MP 11	1.940.600.04 1 pce			GRIFFEINLAGE 4TE
0 C 61	59.68.0065	10u		EL 16V, 4.0*5.7	0 MP 12	49.02.0520 2 pcs		M2.5*12	Rändelschraube (Rack)
0 C 62	59.60.3337	100n		CER 50V, 10%, X7R, 0805	0 MP 13	49.02.0521 2 pcs			Metall-Buchse (Rack)
0 C 63	59.60.2373	1n0		CER 50V, 5%, COG, 0805	0 MP 14	49.02.0522 2 pcs			Kartenhalter mit Z-Schr
0 C 64	59.60.2373	1n0		CER 50V, 5%, COG, 0805	0 MP 15	49.02.0523 1 pce		M2.5*7	Senk-Schr, KS, Senkripp
0 C 65	59.60.2239	39p		CER 50V, 5%, COG, 0603	0 MP 16	49.02.0504 1 pce		4TE	Frontplatten-Griff
0 C 66	59.60.2239	39p		CER 50V, 5%, COG, 0603	0 MP 17	21.53.0279 2 pcs		M2.5*6	Z-Schraube Inbus Zn gb chr
0 C 67	59.60.2235	27p		CER 50V, 5%, COG, 0603	0 MP 18	21.53.0284 1 pce		M2.5*16	Z-Schraube Inbus Zn gb chr
0 C 68	59.60.2235	27p		CER 50V, 5%, COG, 0603	0 P 1	89.10.0021		HFBRS103	LWL Transceiver FDDI/MADI
0 C 69	59.60.3337	100n		CER 50V, 10%, X7R, 0805	0 P 2	89.10.0021		HFBRS103	LWL Transceiver FDDI/MADI
0 C 70	59.60.3337	100n		CER 50V, 10%, X7R, 0805	0 P 3	54.01.0020		1p	Pin, 1reihtig, gerade
0 C 71	59.68.0067	22u		EL 16V, 5.0*5.7	0 P 4	54.01.0020		1p	Pin, 1reihtig, gerade
0 C 72	59.60.3337	100n		CER 50V, 10%, X7R, 0805	0 P 5	54.01.0020		1p	Pin, 1reihtig, gerade
0 C 73	59.60.3333	47n		CER 50V, 10%, X7R, 0805	0 P 6	54.01.0020		1p	Pin, 1reihtig, gerade
0 C 74	59.60.3337	100n		CER 50V, 10%, X7R, 0805	0 P 7	54.01.0020		1p	Pin, 1reihtig, gerade
0 C 75	59.60.3337	100n		CER 50V, 10%, X7R, 0805	0 P 8	54.01.0020		1p	Pin, 1reihtig, gerade
0 C 76	59.60.2225	10p		CER 50V, 5%, COG, 0603	0 P 9	54.01.0020		1p	Pin, 1reihtig, gerade
0 C 77	59.60.2225	10p		CER 50V, 5%, COG, 0603	0 P 10	54.01.0020		1p	Pin, 1reihtig, gerade
0 C 78	59.60.3325	10n		CER 50V, 10%, X7R, 0805	0 P 11	54.01.0020		1p	Pin, 1reihtig, gerade
0 C 79	59.60.3325	10n		CER 50V, 10%, X7R, 0805	0 P 12	54.01.0020		1p	Pin, 1reihtig, gerade
0 C 80	59.60.3337	100n		CER 50V, 10%, X7R, 0805	0 R 1	57.60.1100		10R	MF, 1%, 0204, E24
0 C 81	59.60.3337	100n		CER 50V, 10%, X7R, 0805	0 R 2	57.60.1104		100k	MF, 1%, 0204, E24
0 D 1	50.60.8101	BAS85		200mA 30V Schottky SOD 80	0 R 3	57.60.1103		10k	MF, 1%, 0204, E24
0 D 2	50.60.8001	4448		200mA 75V 4ns SOD 80	0 R 4	57.60.1103		10k	MF, 1%, 0204, E24
0 D 3	50.60.8001	4448		200mA 75V 4ns SOD 80	0 R 5	57.60.1102		1k0	MF, 1%, 0204, E24
0 D 4	50.60.8101	BAS85		200mA 30V Schottky SOD 80	0 R 6	57.60.1102		1k0	MF, 1%, 0204, E24
0 D 5	50.60.8101	BAS85		200mA 30V Schottky SOD 80	0 R 7	57.60.1221		220R	MF, 1%, 0204, E24
0 D 6	50.60.8001	4448		200mA 75V 4ns SOD 80	0 R 8	57.60.1221		220R	MF, 1%, 0204, E24

MADI Optical, Redundant Input 1.940.512.21 (0)

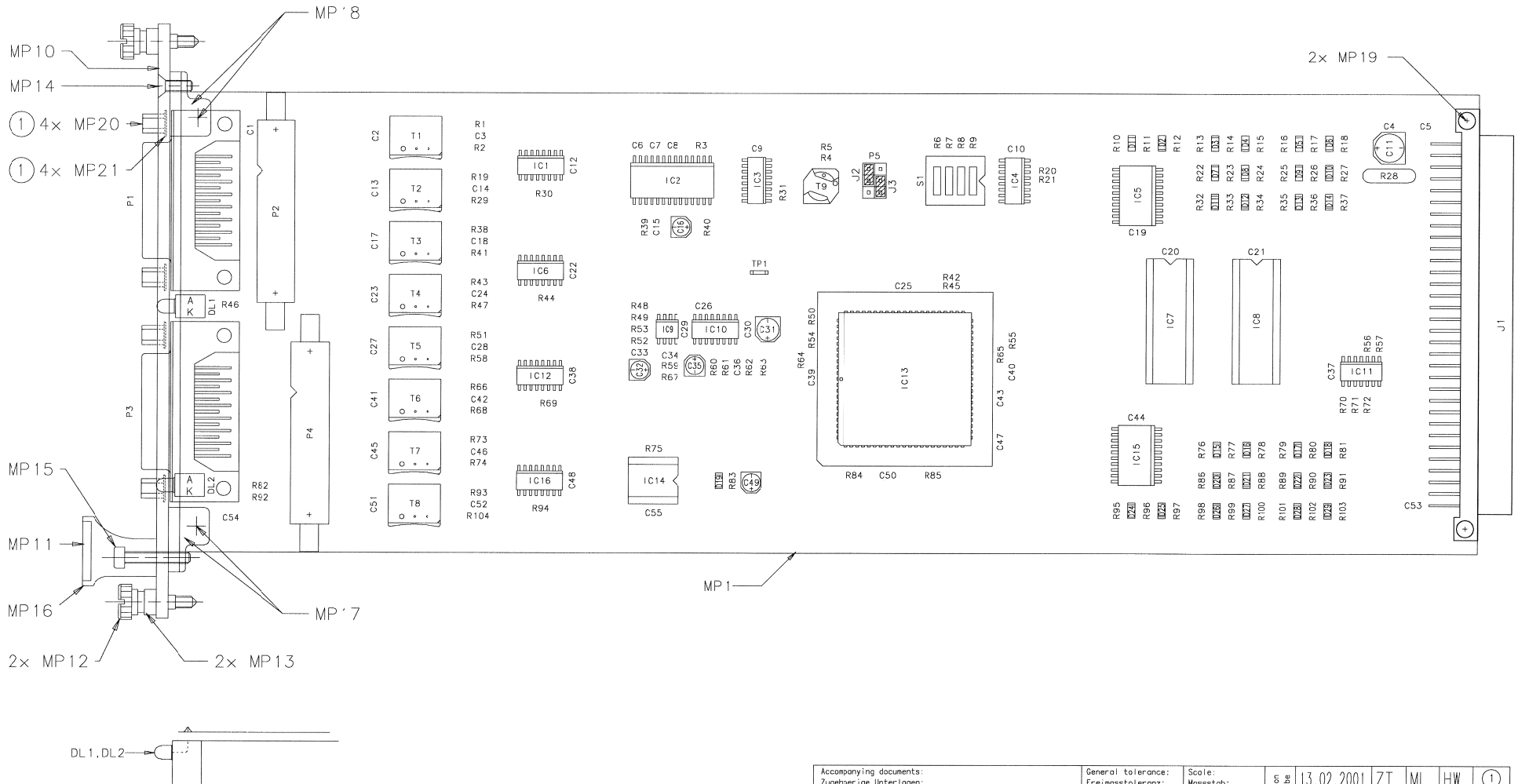
Idx. Pos.	Part No.	Qty.	Type/Val.	Description	Idx. Pos.	Part No.	Qty.	Type/Val.	Description
0 R 9	57.02.7051		1.1A	PTC 30V	0 T 2	1.022.632.00		1:1	DI/DO TRANSFORMER
0 R 10	57.60.1102		1k0	MF, 1%, 0204, E24	0 T 3	1.022.647.00		1:1.4	OUTPUT TRAFO AES/EBU
0 R 11	57.60.1101		100R	MF, 1%, 0204, E24	0 T 4	1.022.647.00		1:1.4	OUTPUT TRAFO AES/EBU
0 R 12	57.60.1223		22k	MF, 1%, 0204, E24	0 TP 1	54.02.0320		1p	PCB-Flachst 2.8*0.8, gerade
0 R 13	57.60.1103		10k	MF, 1%, 0204, E24	0 XDL 1	50.20.2501		Spacer	LED-Sockel
0 R 14	57.60.1270		27R	MF, 1%, 0204, E24	0 XDL 2	50.20.2501		Spacer	LED-Sockel
0 R 15	57.60.1220		22R	MF, 1%, 0204, E24	0 XDL 4	50.20.2501		Spacer	LED-Sockel
0 R 16	57.60.1102		1k0	MF, 1%, 0204, E24	0 XIC 8	53.03.0173		28p	DIL 0.6", löt, gerade
0 R 17	57.60.1270		27R	MF, 1%, 0204, E24	0 XIC 10	53.03.2244		44p	PLCC-Socket
0 R 18	57.60.1220		22R	MF, 1%, 0204, E24	0 XIC 14	53.03.2284		84p	PLCC-Socket
0 R 19	57.60.1102		1k0	MF, 1%, 0204, E24	0 XIC 19	53.03.0166		8p	DIL 0.3", löt, gerade
0 R 20	57.60.1000		0R0	MF, 0204	0 XIC 20	53.03.2252		52p	PLCC-Socket
0 R 21	not used		470R	MF, 1%, 0204, E24	0 XY 1	89.01.1499	1 pce		QUARZ - ISOLIERPLATTE
0 R 22	57.92.7051		1.1A	PTC 30V	0 XY 2	89.01.1499	1 pce		QUARZ - ISOLIERPLATTE
0 R 23	57.60.1820		82R	MF, 1%, 0204, E24	0 XY 4	89.01.1499	1 pce		QUARZ - ISOLIERPLATTE
0 R 24	57.60.1820		82R	MF, 1%, 0204, E24	0 Y 1	89.01.1013		12.500MHz	XTAL HC 49/U
0 R 25	57.60.1222		2k2	MF, 1%, 0204, E24	0 Y 2	89.01.1013		12.500MHz	XTAL HC 49/U
0 R 26	57.60.1222		2k2	MF, 1%, 0204, E24	0 Y 3	89.60.1003		12.000MHz	SMD Quartz
0 R 27	57.60.1222		2k2	MF, 1%, 0204, E24	0 Y 4	89.01.1002		3.6864MHz	XTAL HC 18 U
0 R 28	57.60.1103		10k	MF, 1%, 0204, E24					
0 R 29	57.60.1222		2k2	MF, 1%, 0204, E24					
0 R 30	57.60.1470		47R	MF, 1%, 0204, E24					
0 R 31	57.60.1470		47R	MF, 1%, 0204, E24					
0 R 32	57.60.1470		47R	MF, 1%, 0204, E24					
0 R 33	57.60.1470		47R	MF, 1%, 0204, E24					
0 R 34	57.60.1100		10R	MF, 1%, 0204, E24					
0 R 35	57.60.1104		100k	MF, 1%, 0204, E24					
0 R 36	57.60.1163		16k	MF, 1%, 0204, E24					
0 R 37	57.60.1123		12k	MF, 1%, 0204, E24					
0 R 38	57.60.1101		100R	MF, 1%, 0204, E24					
0 R 39	57.60.1562		5k6	MF, 1%, 0204, E24					
0 R 40	57.60.1100		10R	MF, 1%, 0204, E24					
0 R 41	57.60.1102		1k0	MF, 1%, 0204, E24					
0 R 42	57.60.1270		27R	MF, 1%, 0204, E24					
0 R 43	57.60.1220		22R	MF, 1%, 0204, E24					
0 R 44	57.60.1222		2k2	MF, 1%, 0204, E24					
0 R 45	57.60.1222		2k2	MF, 1%, 0204, E24					
0 R 46	57.60.1103		10k	MF, 1%, 0204, E24					
0 R 47	57.60.1102		1k0	MF, 1%, 0204, E24					
0 R 48	57.60.1103		10k	MF, 1%, 0204, E24					
0 R 49	57.60.1102		1k0	MF, 1%, 0204, E24					
0 R 50	57.60.1820		82R	MF, 1%, 0204, E24					
0 R 51	57.60.1131		130R	MF, 1%, 0204, E24					
0 R 52	57.60.1131		130R	MF, 1%, 0204, E24					
0 R 53	57.60.1103		10k	MF, 1%, 0204, E24					
0 R 54	57.60.1222		2k2	MF, 1%, 0204, E24					
0 R 55	57.60.1332		3k3	MF, 1%, 0204, E24					
0 R 56	57.60.1820		82R	MF, 1%, 0204, E24					
0 R 57	57.60.1332		3k3	MF, 1%, 0204, E24					
0 R 58	57.60.1222		2k2	MF, 1%, 0204, E24					
0 R 59	57.60.1102		1k0	MF, 1%, 0204, E24					
0 R 60	57.60.1102		1k0	MF, 1%, 0204, E24					
0 R 61	57.60.1102		1k0	MF, 1%, 0204, E24					
0 R 62	57.60.1102		1k0	MF, 1%, 0204, E24					
0 R 63	57.60.1102		1k0	MF, 1%, 0204, E24					
0 R 64	57.60.1102		1k0	MF, 1%, 0204, E24					
0 R 65	57.60.1131		130R	MF, 1%, 0204, E24					
0 R 66	57.60.1131		130R	MF, 1%, 0204, E24					
0 R 67	57.60.1102		1k0	MF, 1%, 0204, E24					
0 R 68	57.60.1332		3k3	MF, 1%, 0204, E24					
0 R 69	57.60.1102		1k0	MF, 1%, 0204, E24					
0 R 70	57.60.1102		1k0	MF, 1%, 0204, E24					
0 R 71	57.60.1102		1k0	MF, 1%, 0204, E24					
0 R 72	57.60.1102		1k0	MF, 1%, 0204, E24					
0 R 73	57.60.1102		1k0	MF, 1%, 0204, E24					
0 R 74	57.60.1102		1k0	MF, 1%, 0204, E24					
0 R 75	57.60.1333		33k	MF, 1%, 0204, E24					
0 R 76	57.60.1333		33k	MF, 1%, 0204, E24					
0 R 77	57.60.1333		33k	MF, 1%, 0204, E24					
0 R 78	57.60.1333		33k	MF, 1%, 0204, E24					
0 R 79	57.60.1102		1k0	MF, 1%, 0204, E24					
0 R 80	57.60.1332		3k3	MF, 1%, 0204, E24					
0 R 81	57.60.1332		3k3	MF, 1%, 0204, E24					
0 R 82	57.60.1102		1k0	MF, 1%, 0204, E24					
0 R 83	57.60.1105		1M	MF, 1%, 0204, E24					
0 R 84	57.60.1102		1k0	MF, 1%, 0204, E24					
0 R 85	57.60.1102		1k0	MF, 1%, 0204, E24					
0 R 86	57.60.1103		10k	MF, 1%, 0204, E24					
0 R 87	57.60.1333		33k	MF, 1%, 0204, E24					
0 R 88	57.60.1333		33k	MF, 1%, 0204, E24					
0 R 89	57.60.1333		33k	MF, 1%, 0204, E24					
0 R 90	57.60.1333		33k	MF, 1%, 0204, E24					
0 R 91	57.60.1332		3k3	MF, 1%, 0204, E24					
0 R 92	57.60.1332		3k3	MF, 1%, 0204, E24					
0 R 93	57.60.1332		3k3	MF, 1%, 0204, E24					
0 S 1	55.60.0201		1*s	SMD Tactswitch					
0 T 1	1.022.647.00		1:1.4	OUTPUT TRAFO AES/EBU					

End of List

TDIFI, TDIF Interface 1.940.480.20 (0); TDIF Interface w. AES Out 1.940.481.20 (0)



TDIFI, TDIF Interface 1.940.480.20 (0); TDIF Interface w. AES Out 1.940.481.20 (0)



Accompanying documents: Zugehörige Unterlagen: PL	General tolerance: Freimasstoleranz:	Scale: Maßstab:	Edition Ausgabe 13.02.2001	ZT	ML	HW	①
Substitute for: Ersatz fuer:	1.940.480.20 / 481.20	Index 0	Date Datum	Viso Gez.	Checked Gepr.	Seen Ges.	Index
STUDER RESENSDORF	Description: Benennung:	TDIF IN BOARD, ESE TDIF IN WITH AES OUT BOARD, ESE	Page: Seite:	1 / 1			
Number: Number:	1.940.480.20 1.940.481.20						

TDIFI, TDIF In 1.940.480.20 (0)

Idx. Pos.	Part No.	Qty.	Type/Val.	Description	Idx. Pos.	Part No.	Qty.	Type/Val.	Description
0 C 1	59.60.3337	1 pce	100n	CER 50V, 10%, X7R, 0805	0 IC 2	not used	1 pce	CS8412	AES-Receiver
0 C 2	not used	1 pce	100p	CER 50V, 5%, COG, 0603	0 IC 3	not used	1 pce	DS34C86	4*RS 422 Line Receiver
0 C 3	not used	1 pce	100n	CER 50V, 10%, X7R, 0805	0 IC 4	50.62.1165	1 pce	74HC165	8bit shift register
0 C 4	59.60.3337	1 pce	100n	CER 50V, 10%, X7R, 0805	0 IC 5	50.62.1541	1 pce	74HC541	Octal buffer line driver/recei
0 C 5	59.60.3337	1 pce	100n	CER 50V, 10%, X7R, 0805	0 IC 6	not used	1 pce	DS34C87	4*RS 422 Line Driver
0 C 6	not used	1 pce	10n	CER 50V, 10%, X7R, 0805	0 IC 7	50.06.0541	1 pce	74LS541	SN 74 LS 541 N
0 C 7	not used	1 pce	10n	CER 50V, 10%, X7R, 0805	0 IC 8	50.06.0541	1 pce	74LS541	SN 74 LS 541 N
0 C 8	not used	1 pce	100n	CER 50V, 10%, X7R, 0805	0 IC 9	50.61.0205	1 pce	TS272CD	Dual Op-Amp CMOS SO 8
0 C 9	59.60.3337	1 pce	100n	CER 50V, 10%, X7R, 0805	0 IC 10	50.62.4946	1 pce	74HCT9046	PLL with bandgap contr VCO
0 C 10	59.60.3337	1 pce	100n	CER 50V, 10%, X7R, 0805	0 IC 11	50.62.6014	1 pce	74ACT 14	Hex inverting Schmitt trigger
0 C 11	59.68.0069	1 pce	47u	EL 16V, 6.3*5.7	0 IC 12	not used	1 pce	DS34C87	4*RS 422 Line Driver
0 C 12	59.60.3337	1 pce	100n	CER 50V, 10%, X7R, 0805	0 IC 13	50.63.4210	1 pce	EPF10K10	PLD 10 000 gates
0 C 13	not used	1 pce	100p	CER 50V, 5%, COG, 0603	0 IC 14	1.940.985.20	1 pce		SW480 TDIFIN (50.63.4298)
0 C 14	not used	1 pce	100n	CER 50V, 10%, X7R, 0805	0 IC 15	50.62.1541	1 pce	74HC541	Octal buffer line driver/recei
0 C 15	not used	1 pce	47n	CER 50V, 10%, X7R, 0805	0 IC 16	not used	1 pce	DS34C87	4*RS 422 Line Driver
0 C 16	not used	1 pce	10u	EL 16V, 4.0*5.7	0 J 1	54.11.2009	1 pce	96p	EU-R 3*32p
0 C 17	not used	1 pce	100p	CER 50V, 5%, COG, 0603	0 J 2	not used	1 pce	Jumper	0.63*0.63mm, Au
0 C 18	not used	1 pce	100n	CER 50V, 10%, X7R, 0805	0 J 3	not used	1 pce	Jumper	0.63*0.63mm, Au
0 C 19	59.60.3337	1 pce	100n	CER 50V, 10%, X7R, 0805	0 MP 1	1.940.480.11	1 pce		D19M TDIF IN PCB
0 C 20	59.60.3337	1 pce	100n	CER 50V, 10%, X7R, 0805	0 MP 2	1.940.481.04	1 pce		TYPENSCHILD
0 C 21	59.60.3337	1 pce	100n	CER 50V, 10%, X7R, 0805	0 MP 3	43.01.0108	1 pce	Label	ESE-WARNschild
0 C 22	59.60.3337	1 pce	100n	CER 50V, 10%, X7R, 0805	0 MP 10	1.940.480.01	1 pce		FRONTPLATTE TDIF IN
0 C 23	not used	1 pce	100p	CER 50V, 5%, COG, 0603	0 MP 11	1.940.600.04	1 pce		GRIFFEINLAGE 4TE
0 C 24	not used	1 pce	100n	CER 50V, 10%, X7R, 0805	0 MP 12	49.02.0520	2 pcs	M2.5*12	Rändelschraube (Rack)
0 C 25	59.60.3337	1 pce	100n	CER 50V, 10%, X7R, 0805	0 MP 13	49.02.0521	2 pcs		Metall-Buchse (Rack)
0 C 26	59.60.2241	1 pce	47p	CER 50V, 5%, COG, 0603	0 MP 14	49.02.0523	1 pce	M2.5*7	Senk-Schr, KS, Senkripp
0 C 27	not used	1 pce	100p	CER 50V, 5%, COG, 0603	0 MP 15	21.53.0284	1 pce	M2.5*16	Z-Schraube Inbus Zn gb chr
0 C 28	not used	1 pce	100n	CER 50V, 10%, X7R, 0805	0 MP 16	49.02.0504	1 pce	4TE	Frontplatten-Griff
0 C 29	59.60.3337	1 pce	100n	CER 50V, 10%, X7R, 0805	0 MP 17	49.02.0522	1 pce		Kartenhalter mit Z-Schr
0 C 30	59.60.3337	1 pce	100n	CER 50V, 10%, X7R, 0805	0 MP 18	49.02.0522	1 pce		Kartenhalter mit Z-Schr
0 C 31	59.68.0067	1 pce	22u	EL 16V, 5.0*5.7	0 MP 19	28.99.0119	2 pcs		ROHRNIETE D 2.5*0.15* 9
0 C 32	59.68.0065	1 pce	10u	EL 16V, 4.0*5.7	0 P 1	not used	1 pce	15p	D-Sub, PCB, Winkel
0 C 33	59.60.3337	1 pce	100n	CER 50V, 10%, X7R, 0805	0 P 2	not used	1 pce	16p	Stecker gerade Au
0 C 34	59.60.3317	1 pce	2n2	CER 50V, 10%, X7R, 0805	0 P 3	not used	1 pce	15p	D-Sub, PCB, Winkel
0 C 35	59.68.0065	1 pce	10u	EL 16V, 4.0*5.7	0 P 4	not used	1 pce	16p	Stecker gerade Au
0 C 36	59.60.2249	1 pce	100p	CER 50V, 5%, COG, 0603	0 P 5	not used	1 pce	2*3p	Pin 0.63*0.63, RM2.54
0 C 37	59.60.3337	1 pce	100n	CER 50V, 10%, X7R, 0805	0 R 1	not used	1 pce	27R	MF, 1%, 0204, E24
0 C 38	59.60.3337	1 pce	100n	CER 50V, 10%, X7R, 0805	0 R 2	not used	1 pce	22R	MF, 1%, 0204, E24
0 C 39	59.60.3337	1 pce	100n	CER 50V, 10%, X7R, 0805	0 R 3	not used	1 pce	100k	MF, 1%, 0204, E24
0 C 40	59.60.3337	1 pce	100n	CER 50V, 10%, X7R, 0805	0 R 4	not used	1 pce	220R	MF, 1%, 0204, E24
0 C 41	not used	1 pce	100p	CER 50V, 5%, COG, 0603	0 R 5	not used	1 pce	220R	MF, 1%, 0204, E24
0 C 42	not used	1 pce	100n	CER 50V, 10%, X7R, 0805	0 R 6	57.69.1097	1 pce	10k	CF 5% 0603
0 C 43	59.60.3337	1 pce	100n	CER 50V, 10%, X7R, 0805	0 R 7	57.69.1097	1 pce	10k	CF 5% 0603
0 C 44	59.60.3337	1 pce	100n	CER 50V, 10%, X7R, 0805	0 R 8	57.69.1097	1 pce	10k	CF 5% 0603
0 C 45	not used	1 pce	100p	CER 50V, 5%, COG, 0603	0 R 9	57.69.1097	1 pce	10k	CF 5% 0603
0 C 46	not used	1 pce	100n	CER 50V, 10%, X7R, 0805	0 R 10	57.60.1222	1 pce	2k2	MF, 1%, 0204, E24
0 C 47	59.60.3337	1 pce	100n	CER 50V, 10%, X7R, 0805	0 R 11	57.60.1472	1 pce	4k7	MF, 1%, 0204, E24
0 C 48	59.60.3337	1 pce	100n	CER 50V, 10%, X7R, 0805	0 R 12	57.60.1101	1 pce	100R	MF, 1%, 0204, E24
0 C 49	59.68.0065	1 pce	10u	EL 16V, 4.0*5.7	0 R 13	57.60.1222	1 pce	2k2	MF, 1%, 0204, E24
0 C 50	59.60.3337	1 pce	100n	CER 50V, 10%, X7R, 0805	0 R 14	57.60.1472	1 pce	4k7	MF, 1%, 0204, E24
0 C 51	not used	1 pce	100p	CER 50V, 5%, COG, 0603	0 R 15	57.60.1101	1 pce	100R	MF, 1%, 0204, E24
0 C 52	not used	1 pce	100n	CER 50V, 10%, X7R, 0805	0 R 16	57.60.1222	1 pce	2k2	MF, 1%, 0204, E24
0 C 53	59.60.3337	1 pce	100n	CER 50V, 10%, X7R, 0805	0 R 17	57.60.1472	1 pce	4k7	MF, 1%, 0204, E24
0 C 54	59.60.3337	1 pce	100n	CER 50V, 10%, X7R, 0805	0 R 18	57.60.1101	1 pce	100R	MF, 1%, 0204, E24
0 C 55	59.60.3337	1 pce	100n	CER 50V, 10%, X7R, 0805	0 R 19	not used	1 pce	27R	MF, 1%, 0204, E24
0 D 1	50.60.8001	1 pce	4448	200mA 75V 4ns SOD 80	0 R 20	57.69.1097	1 pce	10k	CF 5% 0603
0 D 2	50.60.8001	1 pce	4448	200mA 75V 4ns SOD 80	0 R 21	57.69.1097	1 pce	10k	CF 5% 0603
0 D 3	50.60.8001	1 pce	4448	200mA 75V 4ns SOD 80	0 R 22	57.60.1222	1 pce	2k2	MF, 1%, 0204, E24
0 D 4	50.60.8001	1 pce	4448	200mA 75V 4ns SOD 80	0 R 23	57.60.1472	1 pce	4k7	MF, 1%, 0204, E24
0 D 5	50.60.8001	1 pce	4448	200mA 75V 4ns SOD 80	0 R 24	57.60.1101	1 pce	100R	MF, 1%, 0204, E24
0 D 6	50.60.8001	1 pce	4448	200mA 75V 4ns SOD 80	0 R 25	57.60.1222	1 pce	2k2	MF, 1%, 0204, E24
0 D 7	50.60.8001	1 pce	4448	200mA 75V 4ns SOD 80	0 R 26	57.60.1472	1 pce	4k7	MF, 1%, 0204, E24
0 D 8	50.60.8001	1 pce	4448	200mA 75V 4ns SOD 80	0 R 27	57.60.1101	1 pce	100R	MF, 1%, 0204, E24
0 D 9	50.60.8001	1 pce	4448	200mA 75V 4ns SOD 80	0 R 28	57.92.7053	1 pce	1.6A	PTC 30V
0 D 10	50.60.8001	1 pce	4448	200mA 75V 4ns SOD 80	0 R 29	not used	1 pce	22R	MF, 1%, 0204, E24
0 D 11	50.60.8001	1 pce	4448	200mA 75V 4ns SOD 80	0 R 30	not used	1 pce	2k2	MF, 1%, 0204, E24
0 D 12	50.60.8001	1 pce	4448	200mA 75V 4ns SOD 80	0 R 31	not used	1 pce	10k	CF 5% 0603
0 D 13	50.60.8001	1 pce	4448	200mA 75V 4ns SOD 80	0 R 32	57.60.1222	1 pce	2k2	MF, 1%, 0204, E24
0 D 14	50.60.8001	1 pce	4448	200mA 75V 4ns SOD 80	0 R 33	57.60.1472	1 pce	4k7	MF, 1%, 0204, E24
0 D 15	50.60.8001	1 pce	4448	200mA 75V 4ns SOD 80	0 R 34	57.60.1101	1 pce	100R	MF, 1%, 0204, E24
0 D 16	50.60.8001	1 pce	4448	200mA 75V 4ns SOD 80	0 R 35	57.60.1222	1 pce	2k2	MF, 1%, 0204, E24
0 D 17	50.60.8001	1 pce	4448	200mA 75V 4ns SOD 80	0 R 36	57.60.1472	1 pce	4k7	MF, 1%, 0204, E24
0 D 18	50.60.8001	1 pce	4448	200mA 75V 4ns SOD 80	0 R 37	57.60.1101	1 pce	100R	MF, 1%, 0204, E24
0 D 19	50.60.8001	1 pce	4448	200mA 75V 4ns SOD 80	0 R 38	not used	1 pce	27R	MF, 1%, 0204, E24
0 D 20	50.60.8001	1 pce	4448	200mA 75V 4ns SOD 80	0 R 39	not used	1 pce	1k0	MF, 1%, 0204, E24
0 D 21	50.60.8001	1 pce	4448	200mA 75V 4ns SOD 80	0 R 40	not used	1 pce	22R	MF, 1%, 0204, E24
0 D 22	50.60.8001	1 pce	4448	200mA 75V 4ns SOD 80	0 R 41	not used	1 pce	22R	MF, 1%, 0204, E24
0 D 23	50.60.8001	1 pce	4448	200mA 75V 4ns SOD 80	0 R 42	57.69.1097	1 pce	10k	CF 5% 0603
0 D 24	50.60.8001	1 pce	4448	200mA 75V 4ns SOD 80	0 R 43	not used	1 pce	27R	MF, 1%, 0204, E24
0 D 25	50.60.8001	1 pce	4448	200mA 75V 4ns SOD 80	0 R 44	not used	1 pce	2k2	MF, 1%, 0204, E24
0 D 26	50.60.8001	1 pce	4448	200mA 75V 4ns SOD 80	0 R 45	57.69.1097	1 pce	10k	CF 5% 0603
0 D 27	50.60.8001	1 pce	4448	200mA 75V 4ns SOD 80	0 R 46	not used	1 pce	1k0	MF, 1%, 0204, E24
0 D 28	50.60.8001	1 pce	4448	200mA 75V 4ns SOD 80	0 R 47	not used	1 pce	22R	MF, 1%, 0204, E24
0 D 29	50.60.8001	1 pce	4448	200mA 75V 4ns SOD 80	0 R 48	57.60.1100	1 pce	10R	MF, 1%, 0204, E24
0 DL 1	not used	1 pce	HLMP1790	DL HLMP - 1790 GN	0 R 49	57.60.1103	1 pce	10k	MF, 1%, 0204, E24
0 DL 2	50.04.2202	1 pce	HLMP1790	DL HLMP - 1790 GN	0 R 50	57.69.1073	1 pce	1k0	CF 5% 0603
0 IC 1	not used	1 pce	DS34C87	4*RS 422 Line Driver	0 R 51	not used	1 pce	27R	MF, 1%, 0204, E24

TDIFI, TDIF In 1.940.480.20 (0)

Idx. Pos.	Part No.	Qty.	Type/Val.	Description
0	R 52	57.60.1103	1 pce 10k	MF, 1%, 0204, E24
0	R 53	57.60.1103	1 pce 10k	MF, 1%, 0204, E24
0	R 54	57.69.1097	1 pce 10k	CF 5% 0603
0	R 55	57.69.1097	1 pce 10k	CF 5% 0603
0	R 56	57.69.1097	1 pce 10k	CF 5% 0603
0	R 57	57.69.1097	1 pce 10k	CF 5% 0603
0	R 58	not used	1 pce 22R	MF, 1%, 0204, E24
0	R 59	57.60.1562	1 pce 5k6	MF, 1%, 0204, E24
0	R 60	57.60.1822	1 pce 8k2	MF, 1%, 0204, E24
0	R 61	57.60.1183	1 pce 18k	MF, 1%, 0204, E24
0	R 62	57.60.1104	1 pce 100k	MF, 1%, 0204, E24
0	R 63	57.60.1100	1 pce 10R	MF, 1%, 0204, E24
0	R 64	57.69.1097	1 pce 10k	CF 5% 0603
0	R 65	57.69.1097	1 pce 10k	CF 5% 0603
0	R 66	not used	1 pce 27R	MF, 1%, 0204, E24
0	R 67	57.60.1101	1 pce 100R	MF, 1%, 0204, E24
0	R 68	not used	1 pce 22R	MF, 1%, 0204, E24
0	R 69	not used	1 pce 2k2	MF, 1%, 0204, E24
0	R 70	57.60.1220	1 pce 22R	MF, 1%, 0204, E24
0	R 71	57.60.1220	1 pce 22R	MF, 1%, 0204, E24
0	R 72	57.60.1220	1 pce 22R	MF, 1%, 0204, E24
0	R 73	not used	1 pce 27R	MF, 1%, 0204, E24
0	R 74	not used	1 pce 22R	MF, 1%, 0204, E24
0	R 75	57.69.1073	1 pce 1k0	CF 5% 0603
0	R 76	57.60.1222	1 pce 2k2	MF, 1%, 0204, E24
0	R 77	57.60.1472	1 pce 4k7	MF, 1%, 0204, E24
0	R 78	57.60.1101	1 pce 100R	MF, 1%, 0204, E24
0	R 79	57.60.1222	1 pce 2k2	MF, 1%, 0204, E24
0	R 80	57.60.1472	1 pce 4k7	MF, 1%, 0204, E24
0	R 81	57.60.1101	1 pce 100R	MF, 1%, 0204, E24
0	R 82	57.60.1102	1 pce 1k0	MF, 1%, 0204, E24
0	R 83	57.60.1473	1 pce 47k	MF, 1%, 0204, E24
0	R 84	57.69.1097	1 pce 10k	CF 5% 0603
0	R 85	57.69.1097	1 pce 10k	CF 5% 0603
0	R 86	57.60.1222	1 pce 2k2	MF, 1%, 0204, E24
0	R 87	57.60.1472	1 pce 4k7	MF, 1%, 0204, E24
0	R 88	57.60.1101	1 pce 100R	MF, 1%, 0204, E24
0	R 89	57.60.1222	1 pce 2k2	MF, 1%, 0204, E24
0	R 90	57.60.1472	1 pce 4k7	MF, 1%, 0204, E24
0	R 91	57.60.1101	1 pce 100R	MF, 1%, 0204, E24
0	R 92	57.60.1000	1 pce 0R0	MF, 0204
0	R 93	not used	1 pce 27R	MF, 1%, 0204, E24
0	R 94	not used	1 pce 2k2	MF, 1%, 0204, E24
0	R 95	57.60.1222	1 pce 2k2	MF, 1%, 0204, E24
0	R 96	57.60.1472	1 pce 4k7	MF, 1%, 0204, E24
0	R 97	57.60.1101	1 pce 100R	MF, 1%, 0204, E24
0	R 98	57.60.1222	1 pce 2k2	MF, 1%, 0204, E24
0	R 99	57.60.1472	1 pce 4k7	MF, 1%, 0204, E24
0	R 100	57.60.1101	1 pce 100R	MF, 1%, 0204, E24
0	R 101	57.60.1222	1 pce 2k2	MF, 1%, 0204, E24
0	R 102	57.60.1472	1 pce 4k7	MF, 1%, 0204, E24
0	R 103	57.60.1101	1 pce 100R	MF, 1%, 0204, E24
0	R 104	not used	1 pce 22R	MF, 1%, 0204, E24
0	S 1	55.01.0164	1 pce 4*a	DIL-Switch, PCB
0	T 1	not used	1 pce 1:1.4	OUTPUT TRAF0 AES/EBU
0	T 2	not used	1 pce 1:1.4	OUTPUT TRAF0 AES/EBU
0	T 3	not used	1 pce 1:1.4	OUTPUT TRAF0 AES/EBU
0	T 4	not used	1 pce 1:1.4	OUTPUT TRAF0 AES/EBU
0	T 5	not used	1 pce 1:1.4	OUTPUT TRAF0 AES/EBU
0	T 6	not used	1 pce 1:1.4	OUTPUT TRAF0 AES/EBU
0	T 7	not used	1 pce 1:1.4	OUTPUT TRAF0 AES/EBU
0	T 8	not used	1 pce 1:1.4	OUTPUT TRAF0 AES/EBU
0	T 9	not used	1 pce 1:1	DI/DO TRANSFORMER
0	TP 1	54.33.6010	1 pce 2.8*0.8	PCB-Flachstecker, gerade
0	XDL 2	50.20.2501	1 pce Spacer	LED-Sockel
0	XIC 13	53.03.2284	1 pce 84p	PLCC-Socket
0	XIC 14	53.03.0166	1 pce 8p	DIL 0.3", löt, gerade

End of List

TDIFI, TDIF In with AES Out 1.940.481.20 (1)

Idx. Pos.	Part No.	Qty.	Type/Val.	Description	Idx. Pos.	Part No.	Qty.	Type/Val.	Description
0 C 1	59.60.3337	1 pce	100n	CER 50V, 10%, X7R, 0805	0 IC 2	50.62.0913	1 pce	CS8412	AES-Receiver
0 C 2	59.60.2249	1 pce	100p	CER 50V, 5%, COG, 0603	0 IC 3	50.62.0463	1 pce	DS34C86	4*RS 422 Line Receiver
0 C 3	59.60.3337	1 pce	100n	CER 50V, 10%, X7R, 0805	0 IC 4	50.62.1165	1 pce	74HC165	8bit shift register
0 C 4	59.60.3337	1 pce	100n	CER 50V, 10%, X7R, 0805	0 IC 5	50.62.1541	1 pce	74HC541	Octal buffer line driver/recei
0 C 5	59.60.3337	1 pce	100n	CER 50V, 10%, X7R, 0805	0 IC 6	50.62.0464	1 pce	DS34C87	4*RS 422 Line Driver
0 C 6	59.60.3325	1 pce	10n	CER 50V, 10%, X7R, 0805	0 IC 7	50.06.0541	1 pce	74LS541	SN 74 LS 541 N
0 C 7	59.60.3325	1 pce	10n	CER 50V, 10%, X7R, 0805	0 IC 8	50.06.0541	1 pce	74LS541	SN 74 LS 541 N
0 C 8	59.60.3337	1 pce	100n	CER 50V, 10%, X7R, 0805	0 IC 9	50.61.0205	1 pce	TS272CD	Dual Op-Amp CMOS SO 8
0 C 9	59.60.3337	1 pce	100n	CER 50V, 10%, X7R, 0805	0 IC 10	50.62.4946	1 pce	74HCT9046	PLL with bandgap contr VCO
0 C 10	59.60.3337	1 pce	100n	CER 50V, 10%, X7R, 0805	0 IC 11	50.62.6014	1 pce	74ACT 14	Hex inverting Schmitt trigger
0 C 11	59.68.0069	1 pce	47u	EL 16V, 6.3*5.7	0 IC 12	50.62.0464	1 pce	DS34C87	4*RS 422 Line Driver
0 C 12	59.60.3337	1 pce	100n	CER 50V, 10%, X7R, 0805	0 IC 13	50.63.4210	1 pce	EPF10K10	PLD 10 000 gates
0 C 13	59.60.2249	1 pce	100p	CER 50V, 5%, COG, 0603	0 IC 14	1.940.985.20	1 pce		SW480 TDIFIN (50.63.4298)
0 C 14	59.60.3337	1 pce	100n	CER 50V, 10%, X7R, 0805	0 IC 15	50.62.1541	1 pce	74HC541	Octal buffer line driver/recei
0 C 15	59.60.3333	1 pce	47n	CER 50V, 10%, X7R, 0805	0 IC 16	50.62.0464	1 pce	DS34C87	4*RS 422 Line Driver
0 C 16	59.68.0065	1 pce	10u	EL 16V, 4.0*5.7	0 J 1	54.11.2009	1 pce	96p	EU-R 3*32p
0 C 17	59.60.2249	1 pce	100p	CER 50V, 5%, COG, 0603	0 J 2	54.01.0021	1 pce	Jumper	0.63*0.63mm, Au
0 C 18	59.60.3337	1 pce	100n	CER 50V, 10%, X7R, 0805	0 J 3	54.01.0021	1 pce	Jumper	0.63*0.63mm, Au
0 C 19	59.60.3337	1 pce	100n	CER 50V, 10%, X7R, 0805	0 MP 1	1.940.480.11	1 pce		D19M TDIF IN PCB
0 C 20	59.60.3337	1 pce	100n	CER 50V, 10%, X7R, 0805	0 MP 2	1.940.481.04	1 pce		TYPENSCHILD
0 C 21	59.60.3337	1 pce	100n	CER 50V, 10%, X7R, 0805	0 MP 3	43.01.0108	1 pce	Label	ESE-WARNschild
0 C 22	59.60.3337	1 pce	100n	CER 50V, 10%, X7R, 0805	0 MP 10	1.940.481.01	1 pce		FRONTPLATTE TDIF IN/AES OUT
0 C 23	59.60.2249	1 pce	100p	CER 50V, 5%, COG, 0603	0 MP 11	1.940.600.04	1 pce		GRIFFEINLAGE 4TE
0 C 24	59.60.3337	1 pce	100n	CER 50V, 10%, X7R, 0805	0 MP 12	49.02.0520	2 pcs	M2.5*12	Rändelschraube (Rack)
0 C 25	59.60.3337	1 pce	100n	CER 50V, 10%, X7R, 0805	0 MP 13	49.02.0521	2 pcs		Metall-Buchse (Rack)
0 C 26	59.60.2241	1 pce	47p	CER 50V, 5%, COG, 0603	0 MP 14	not used	1 pce	M2.5*7	Senk-Schr, KS, Senkripp
0 C 27	59.60.2249	1 pce	100p	CER 50V, 5%, COG, 0603	0 MP 15	21.53.0284	1 pce	M2.5*16	Z-Schraube Inbus Zn gb chr
0 C 28	59.60.3337	1 pce	100n	CER 50V, 10%, X7R, 0805	0 MP 16	49.02.0504	1 pce	4TE	Frontplatten-Griff
0 C 29	59.60.3337	1 pce	100n	CER 50V, 10%, X7R, 0805	0 MP 17	49.02.0522	1 pce		Kartenhalter mit Z-Schr
0 C 30	59.60.3337	1 pce	100n	CER 50V, 10%, X7R, 0805	0 MP 18	not used	1 pce		Kartenhalter mit Z-Schr
0 C 31	59.68.0067	1 pce	22u	EL 16V, 5.0*5.7	0 MP 19	28.99.0119	2 pcs		ROHRNIETE D 2.5*0.15* 9
0 C 32	59.68.0065	1 pce	10u	EL 16V, 4.0*5.7	1 MP 20	54.13.0081	4 pcs	4.85mm	Bolzen UNC 4-40
0 C 33	59.60.3337	1 pce	100n	CER 50V, 10%, X7R, 0805	1 MP 21	24.16.2025	4 pcs	2.7/5.5	Fächerscheibe Form A
0 C 34	59.60.3317	1 pce	2n2	CER 50V, 10%, X7R, 0805	0 P 1	54.13.0077	1 pce	15p	D-Sub, PCB, Winkel
0 C 35	59.68.0065	1 pce	10u	EL 16V, 4.0*5.7	0 P 2	not used	1 pce	16p	Stecker gerade Au
0 C 36	59.60.2249	1 pce	100p	CER 50V, 5%, COG, 0603	0 P 3	54.13.0077	1 pce	15p	D-Sub, PCB, Winkel
0 C 37	59.60.3337	1 pce	100n	CER 50V, 10%, X7R, 0805	0 P 4	not used	1 pce	16p	Stecker gerade Au
0 C 38	59.60.3337	1 pce	100n	CER 50V, 10%, X7R, 0805	0 P 5	54.11.0136	1 pce	2*3p	Pin 0.63*0.63, RM2.54
0 C 39	59.60.3337	1 pce	100n	CER 50V, 10%, X7R, 0805	0 R 1	57.60.1270	1 pce	27R	MF, 1%, 0204, E24
0 C 40	59.60.3337	1 pce	100n	CER 50V, 10%, X7R, 0805	0 R 2	57.60.1220	1 pce	22R	MF, 1%, 0204, E24
0 C 41	59.60.2249	1 pce	100p	CER 50V, 5%, COG, 0603	0 R 3	57.60.1104	1 pce	100k	MF, 1%, 0204, E24
0 C 42	59.60.3337	1 pce	100n	CER 50V, 10%, X7R, 0805	0 R 4	57.60.1221	1 pce	220R	MF, 1%, 0204, E24
0 C 43	59.60.3337	1 pce	100n	CER 50V, 10%, X7R, 0805	0 R 5	57.60.1221	1 pce	220R	MF, 1%, 0204, E24
0 C 44	59.60.3337	1 pce	100n	CER 50V, 10%, X7R, 0805	0 R 6	57.69.1097	1 pce	10k	CF 5% 0603
0 C 45	59.60.2249	1 pce	100p	CER 50V, 5%, COG, 0603	0 R 7	57.69.1097	1 pce	10k	CF 5% 0603
0 C 46	59.60.3337	1 pce	100n	CER 50V, 10%, X7R, 0805	0 R 8	57.69.1097	1 pce	10k	CF 5% 0603
0 C 47	59.60.3337	1 pce	100n	CER 50V, 10%, X7R, 0805	0 R 9	57.69.1097	1 pce	10k	CF 5% 0603
0 C 48	59.60.3337	1 pce	100n	CER 50V, 10%, X7R, 0805	0 R 10	57.60.1222	1 pce	2k2	MF, 1%, 0204, E24
0 C 49	59.68.0065	1 pce	10u	EL 16V, 4.0*5.7	0 R 11	57.60.1472	1 pce	4k7	MF, 1%, 0204, E24
0 C 50	59.60.3337	1 pce	100n	CER 50V, 10%, X7R, 0805	0 R 12	57.60.1101	1 pce	100R	MF, 1%, 0204, E24
0 C 51	59.60.2249	1 pce	100p	CER 50V, 5%, COG, 0603	0 R 13	57.60.1222	1 pce	2k2	MF, 1%, 0204, E24
0 C 52	59.60.3337	1 pce	100n	CER 50V, 10%, X7R, 0805	0 R 14	57.60.1472	1 pce	4k7	MF, 1%, 0204, E24
0 C 53	59.60.3337	1 pce	100n	CER 50V, 10%, X7R, 0805	0 R 15	57.60.1101	1 pce	100R	MF, 1%, 0204, E24
0 C 54	59.60.3337	1 pce	100n	CER 50V, 10%, X7R, 0805	0 R 16	57.60.1222	1 pce	2k2	MF, 1%, 0204, E24
0 C 55	59.60.3337	1 pce	100n	CER 50V, 10%, X7R, 0805	0 R 17	57.60.1472	1 pce	4k7	MF, 1%, 0204, E24
0 D 1	50.60.8001	1 pce	4448	200mA 75V 4ns SOD 80	0 R 18	57.60.1101	1 pce	100R	MF, 1%, 0204, E24
0 D 2	50.60.8001	1 pce	4448	200mA 75V 4ns SOD 80	0 R 19	57.60.1270	1 pce	27R	MF, 1%, 0204, E24
0 D 3	50.60.8001	1 pce	4448	200mA 75V 4ns SOD 80	0 R 20	57.69.1097	1 pce	10k	CF 5% 0603
0 D 4	50.60.8001	1 pce	4448	200mA 75V 4ns SOD 80	0 R 21	57.69.1097	1 pce	10k	CF 5% 0603
0 D 5	50.60.8001	1 pce	4448	200mA 75V 4ns SOD 80	0 R 22	57.60.1222	1 pce	2k2	MF, 1%, 0204, E24
0 D 6	50.60.8001	1 pce	4448	200mA 75V 4ns SOD 80	0 R 23	57.60.1472	1 pce	4k7	MF, 1%, 0204, E24
0 D 7	50.60.8001	1 pce	4448	200mA 75V 4ns SOD 80	0 R 24	57.60.1101	1 pce	100R	MF, 1%, 0204, E24
0 D 8	50.60.8001	1 pce	4448	200mA 75V 4ns SOD 80	0 R 25	57.60.1222	1 pce	2k2	MF, 1%, 0204, E24
0 D 9	50.60.8001	1 pce	4448	200mA 75V 4ns SOD 80	0 R 26	57.60.1472	1 pce	4k7	MF, 1%, 0204, E24
0 D 10	50.60.8001	1 pce	4448	200mA 75V 4ns SOD 80	0 R 27	57.60.1101	1 pce	100R	MF, 1%, 0204, E24
0 D 11	50.60.8001	1 pce	4448	200mA 75V 4ns SOD 80	0 R 28	57.92.7053	1 pce	1.6A	PTC 30V
0 D 12	50.60.8001	1 pce	4448	200mA 75V 4ns SOD 80	0 R 29	57.60.1220	1 pce	22R	MF, 1%, 0204, E24
0 D 13	50.60.8001	1 pce	4448	200mA 75V 4ns SOD 80	0 R 30	57.60.1222	1 pce	2k2	MF, 1%, 0204, E24
0 D 14	50.60.8001	1 pce	4448	200mA 75V 4ns SOD 80	0 R 31	57.69.1097	1 pce	10k	CF 5% 0603
0 D 15	50.60.8001	1 pce	4448	200mA 75V 4ns SOD 80	0 R 32	57.60.1222	1 pce	2k2	MF, 1%, 0204, E24
0 D 16	50.60.8001	1 pce	4448	200mA 75V 4ns SOD 80	0 R 33	57.60.1472	1 pce	4k7	MF, 1%, 0204, E24
0 D 17	50.60.8001	1 pce	4448	200mA 75V 4ns SOD 80	0 R 34	57.60.1101	1 pce	100R	MF, 1%, 0204, E24
0 D 18	50.60.8001	1 pce	4448	200mA 75V 4ns SOD 80	0 R 35	57.60.1222	1 pce	2k2	MF, 1%, 0204, E24
0 D 19	50.60.8001	1 pce	4448	200mA 75V 4ns SOD 80	0 R 36	57.60.1472	1 pce	4k7	MF, 1%, 0204, E24
0 D 20	50.60.8001	1 pce	4448	200mA 75V 4ns SOD 80	0 R 37	57.60.1101	1 pce	100R	MF, 1%, 0204, E24
0 D 21	50.60.8001	1 pce	4448	200mA 75V 4ns SOD 80	0 R 38	57.60.1270	1 pce	27R	MF, 1%, 0204, E24
0 D 22	50.60.8001	1 pce	4448	200mA 75V 4ns SOD 80	0 R 39	57.60.1102	1 pce	1k0	MF, 1%, 0204, E24
0 D 23	50.60.8001	1 pce	4448	200mA 75V 4ns SOD 80	0 R 40	57.60.1220	1 pce	22R	MF, 1%, 0204, E24
0 D 24	50.60.8001	1 pce	4448	200mA 75V 4ns SOD 80	0 R 41	57.60.1220	1 pce	22R	MF, 1%, 0204, E24
0 D 25	50.60.8001	1 pce	4448	200mA 75V 4ns SOD 80	0 R 42	57.69.1097	1 pce	10k	CF 5% 0603
0 D 26	50.60.8001	1 pce	4448	200mA 75V 4ns SOD 80	0 R 43	57.60.1270	1 pce	27R	MF, 1%, 0204, E24
0 D 27	50.60.8001	1 pce	4448	200mA 75V 4ns SOD 80	0 R 44	57.60.1222	1 pce	2k2	MF, 1%, 0204, E24
0 D 28	50.60.8001	1 pce	4448	200mA 75V 4ns SOD 80	0 R 45	57.69.1097	1 pce	10k	CF 5% 0603
0 D 29	50.60.8001	1 pce	4448	200mA 75V 4ns SOD 80	0 R 46	57.60.1102	1 pce	1k0	MF, 1%, 0204, E24
0 DL 1	50.04.2202	1 pce	HLMP1790	DL HLMP - 1790 GN	0 R 47	57.60.1220	1 pce	22R	MF, 1%, 0204, E24
0 DL 2	not used	1 pce	HLMP1790	DL HLMP - 1790 GN	0 R 48	57.60.1100	1 pce	10R	MF, 1%, 0204, E24
0 IC 1	50.62.0464	1 pce	DS34C87	4*RS 422 Line Driver	0 R 49	57.60.1103	1 pce	10k	MF, 1%, 0204, E24

TDIFI, TDIF In with AES Out 1.940.481.20 (1)

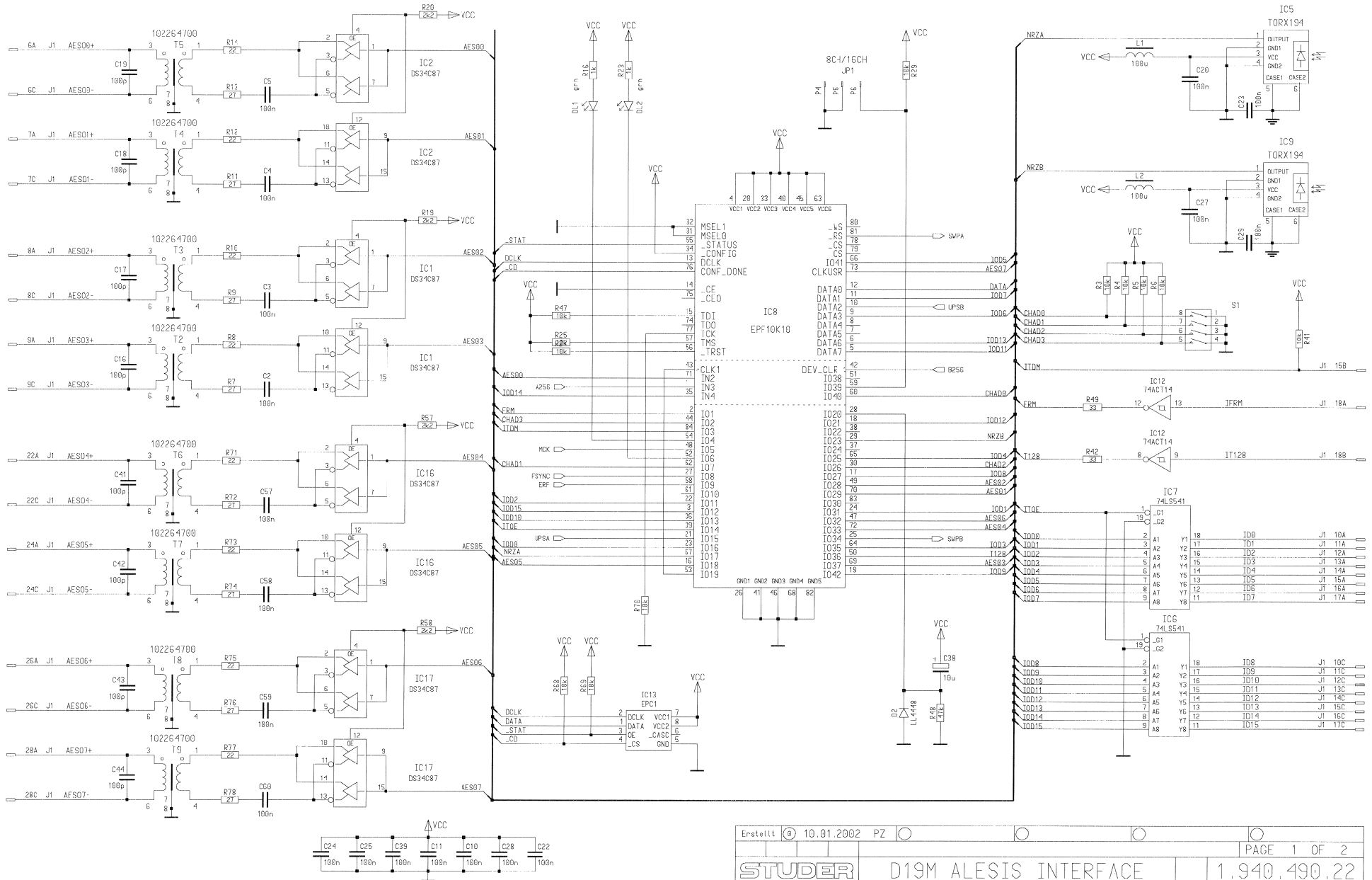
Page: 2 of 2

Idx. Pos.	Part No.	Qty.	Type/Val.	Description	Idx. Pos.	Part No.	Qty.	Type/Val.	Description
0	R 50	57.69.1073	1 pce	1k0	CF	5%	0603		
0	R 51	57.60.1270	1 pce	27R	MF	1%	0204, E24		
0	R 52	57.60.1103	1 pce	10k	MF	1%	0204, E24		
0	R 53	57.60.1103	1 pce	10k	MF	1%	0204, E24		
0	R 54	57.69.1097	1 pce	10k	CF	5%	0603		
0	R 55	57.69.1097	1 pce	10k	CF	5%	0603		
0	R 56	57.69.1097	1 pce	10k	CF	5%	0603		
0	R 57	57.69.1097	1 pce	10k	CF	5%	0603		
0	R 58	57.60.1220	1 pce	22R	MF	1%	0204, E24		
0	R 59	57.60.1562	1 pce	5k6	MF	1%	0204, E24		
0	R 60	57.60.1822	1 pce	8k2	MF	1%	0204, E24		
0	R 61	57.60.1183	1 pce	18k	MF	1%	0204, E24		
0	R 62	57.60.1104	1 pce	100k	MF	1%	0204, E24		
0	R 63	57.60.1100	1 pce	10R	MF	1%	0204, E24		
0	R 64	57.69.1097	1 pce	10k	CF	5%	0603		
0	R 65	57.69.1097	1 pce	10k	CF	5%	0603		
0	R 66	57.60.1270	1 pce	27R	MF	1%	0204, E24		
0	R 67	57.60.1101	1 pce	100R	MF	1%	0204, E24		
0	R 68	57.60.1220	1 pce	22R	MF	1%	0204, E24		
0	R 69	57.60.1222	1 pce	2k2	MF	1%	0204, E24		
0	R 70	57.60.1220	1 pce	22R	MF	1%	0204, E24		
0	R 71	57.60.1220	1 pce	22R	MF	1%	0204, E24		
0	R 72	57.60.1220	1 pce	22R	MF	1%	0204, E24		
0	R 73	57.60.1270	1 pce	27R	MF	1%	0204, E24		
0	R 74	57.60.1220	1 pce	22R	MF	1%	0204, E24		
0	R 75	57.69.1073	1 pce	1k0	CF	5%	0603		
0	R 76	57.60.1222	1 pce	2k2	MF	1%	0204, E24		
0	R 77	57.60.1472	1 pce	4k7	MF	1%	0204, E24		
0	R 78	57.60.1101	1 pce	100R	MF	1%	0204, E24		
0	R 79	57.60.1222	1 pce	2k2	MF	1%	0204, E24		
0	R 80	57.60.1472	1 pce	4k7	MF	1%	0204, E24		
0	R 81	57.60.1101	1 pce	100R	MF	1%	0204, E24		
0	R 82	not used	1 pce	1k0	MF	1%	0204, E24		
0	R 83	57.60.1473	1 pce	47k	MF	1%	0204, E24		
0	R 84	57.69.1097	1 pce	10k	CF	5%	0603		
0	R 85	57.69.1097	1 pce	10k	CF	5%	0603		
0	R 86	57.60.1222	1 pce	2k2	MF	1%	0204, E24		
0	R 87	57.60.1472	1 pce	4k7	MF	1%	0204, E24		
0	R 88	57.60.1101	1 pce	100R	MF	1%	0204, E24		
0	R 89	57.60.1222	1 pce	2k2	MF	1%	0204, E24		
0	R 90	57.60.1472	1 pce	4k7	MF	1%	0204, E24		
0	R 91	57.60.1101	1 pce	100R	MF	1%	0204, E24		
0	R 92	not used	1 pce	0R0	MF		0204		
0	R 93	57.60.1270	1 pce	27R	MF	1%	0204, E24		
0	R 94	57.60.1222	1 pce	2k2	MF	1%	0204, E24		
0	R 95	57.60.1222	1 pce	2k2	MF	1%	0204, E24		
0	R 96	57.60.1472	1 pce	4k7	MF	1%	0204, E24		
0	R 97	57.60.1101	1 pce	100R	MF	1%	0204, E24		
0	R 98	57.60.1222	1 pce	2k2	MF	1%	0204, E24		
0	R 99	57.60.1472	1 pce	4k7	MF	1%	0204, E24		
0	R 100	57.60.1101	1 pce	100R	MF	1%	0204, E24		
0	R 101	57.60.1222	1 pce	2k2	MF	1%	0204, E24		
0	R 102	57.60.1472	1 pce	4k7	MF	1%	0204, E24		
0	R 103	57.60.1101	1 pce	100R	MF	1%	0204, E24		
0	R 104	57.60.1220	1 pce	22R	MF	1%	0204, E24		
0	S 1	55.01.0164	1 pce	4*a	DIL-Switch, PCB				
0	T 1	1.022.647.00	1 pce	1:1.4	OUTPUT TRAF0 AES/EBU				
0	T 2	1.022.647.00	1 pce	1:1.4	OUTPUT TRAF0 AES/EBU				
0	T 3	1.022.647.00	1 pce	1:1.4	OUTPUT TRAF0 AES/EBU				
0	T 4	1.022.647.00	1 pce	1:1.4	OUTPUT TRAF0 AES/EBU				
0	T 5	1.022.647.00	1 pce	1:1.4	OUTPUT TRAF0 AES/EBU				
0	T 6	1.022.647.00	1 pce	1:1.4	OUTPUT TRAF0 AES/EBU				
0	T 7	1.022.647.00	1 pce	1:1.4	OUTPUT TRAF0 AES/EBU				
0	T 8	1.022.647.00	1 pce	1:1.4	OUTPUT TRAF0 AES/EBU				
0	T 9	1.022.632.00	1 pce	1:1	DI/DO TRANSFORMER				
0	TP 1	54.33.8010	1 pce	2.8*0.8	PCB-Flachstecker, gerade				
0	XDL 1	50.20.2501	1 pce	Spacer	LED-Sockel				
0	XIC 13	53.03.2284	1 pce	84p	PLCC-Socket				
0	XIC 14	53.03.0166	1 pce	8p	DIL 0.3", lötl, gerade				

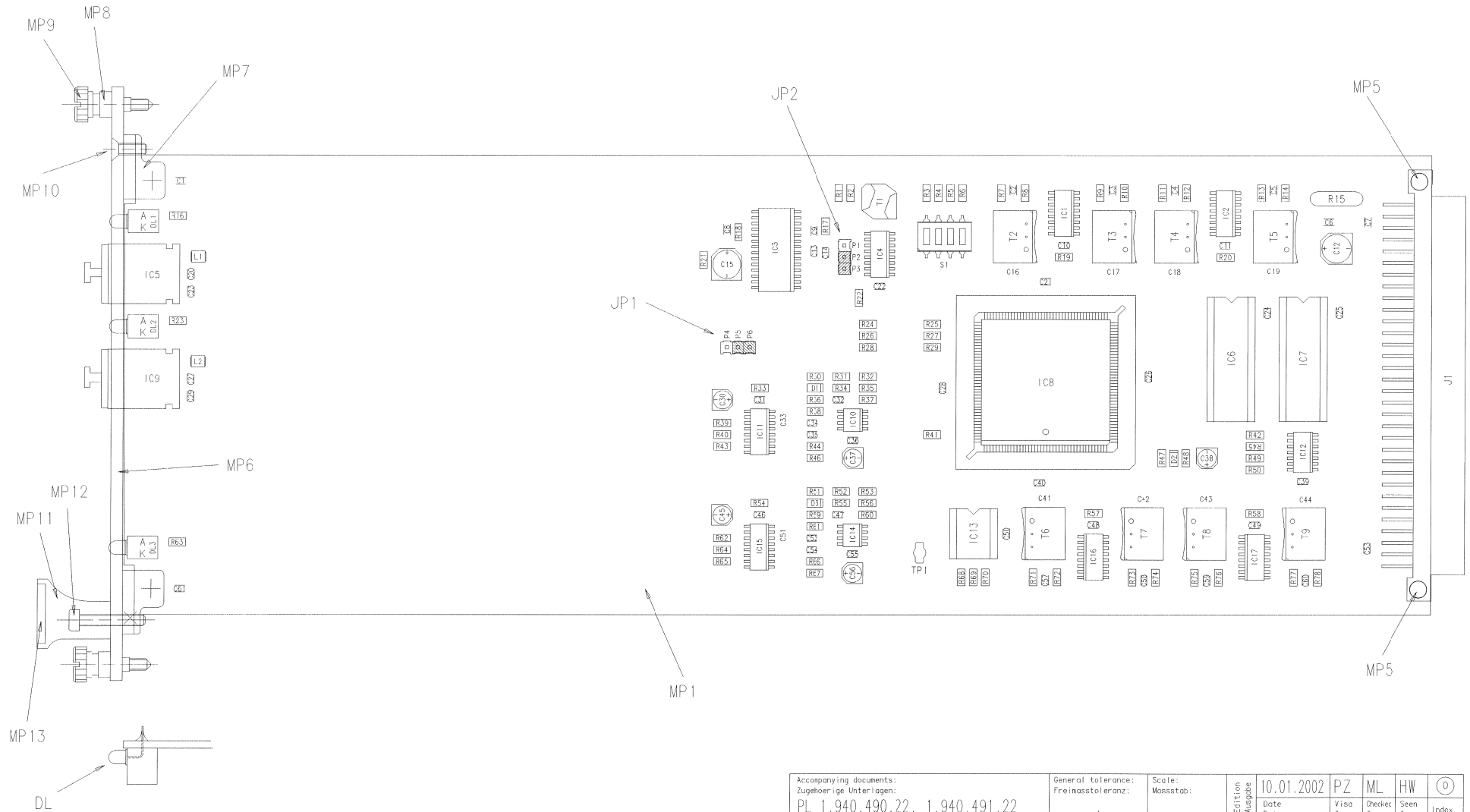
End of List

(01) Additionally MP20 and MP21

ADATII, ADAT Interface 1.940.490.22 (0); ADAT Interface w. AES Out 1.940.491.22 (0)



ADATII, ADAT Interface 1.940.490.22 (0); ADAT Interface w. AES Out 1.940.491.22 (0)



Accompanying documents: Zugehörige Unterlagen: PL 1.940.490.22, 1.940.491.22	General tolerance: Freimasstoleranz:	Scale: Maßstab:	Edition Ausgabe	10.01.2002	PZ	ML	HW	⊙
Substitute for: Ersatz fuer:			Date Datum	10.01.2002	Visa Gez.	Checked Gepr.	Seen Ges.	Index
			Page: Seite:	1 / 1				
STUDER REGENSDORF			Description: Benennung:			D19M ALESIS INTERFACE, ESE		
			Number: Number:			1.940.490.22		

ADATI, ADAT Interface 1.940.490.22 (1)

Idx. Pos.	Part No.	Qty.	Type/Val.	Description	Idx. Pos.	Part No.	Qty.	Type/Val.	Description
0 C 1	59.60.3337	1 pce	100n	CER 50V, 10%, X7R, 0805	0 L 1	62.60.0125	1 pce	100uH	SMD 10% 1210
0 C 2	not used	1 pce	100n	CER 50V, 10%, X7R, 0805	0 L 2	62.60.0125	1 pce	100uH	SMD 10% 1210
0 C 3	not used	1 pce	100n	CER 50V, 10%, X7R, 0805	0 MP 1	1.940.490.12	1 pce		D19M ALESIS Interface PCB
0 C 4	not used	1 pce	100n	CER 50V, 10%, X7R, 0805	0 MP 2	43.01.0108	1 pce	Label	ESE-WARNschild
0 C 5	not used	1 pce	100n	CER 50V, 10%, X7R, 0805	0 MP 3	1.940.490.04	1 pce		TYPENSCHILD
0 C 6	59.60.3337	1 pce	100n	CER 50V, 10%, X7R, 0805	0 MP 4	1.101.001.22	1 pce		TEXT-ETIK. 5*20 HARDWARE -22
0 C 7	59.60.3337	1 pce	100n	CER 50V, 10%, X7R, 0805	0 MP 5	28.99.0119	2 pcs		ROHRNIETE D 2.5*0.15* 9
0 C 8	not used	1 pce	47n	CER 50V, 10%, X7R, 0805	0 MP 6	1.940.490.01	1 pce		FRONTPLATTE ALESIS
0 C 9	not used	1 pce	10n	CER 50V, 10%, X7R, 0805	0 MP 7	49.02.0522	2 pcs		Kartenhalter mit Z-Schr
0 C 10	59.60.3337	1 pce	100n	CER 50V, 10%, X7R, 0805	0 MP 8	49.02.0521	2 pcs		Metall-Buchse (Rack)
0 C 11	59.60.3337	1 pce	100n	CER 50V, 10%, X7R, 0805	0 MP 9	49.02.0520	2 pcs	M2.5*12	Rändelschraube (Rack)
0 C 12	59.68.0069	1 pce	47u	EL 16V, 6.3*5.7	0 MP 10	49.02.0523	1 pce	M2.5*7	Senk-Schr, KS, Senkripp
0 C 13	not used	1 pce	100n	CER 50V, 10%, X7R, 0805	0 MP 11	49.02.0504	1 pce	4TE	Frontplatten-Griff
0 C 14	not used	1 pce	10n	CER 50V, 10%, X7R, 0805	0 MP 12	21.53.0284	1 pce	M2.5*16	Z-Schraube Inbus Zn gb chr
0 C 15	not used	1 pce	47u	EL 16V, 6.3*5.7	0 MP 13	1.940.600.04	1 pce		GRIFFEINLAGE 4TE
0 C 16	not used	1 pce	100p	CER 50V, 5%, COG, 0603	0 P 1	not used	1 pce	1p	Pin, 1reihtig, gerade
0 C 17	not used	1 pce	100p	CER 50V, 5%, COG, 0603	0 P 2	not used	1 pce	1p	Pin, 1reihtig, gerade
0 C 18	not used	1 pce	100p	CER 50V, 5%, COG, 0603	0 P 3	not used	1 pce	1p	Pin, 1reihtig, gerade
0 C 19	not used	1 pce	100p	CER 50V, 5%, COG, 0603	0 P 4	54.01.0020	1 pce	1p	Pin, 1reihtig, gerade
0 C 20	59.60.3337	1 pce	100n	CER 50V, 10%, X7R, 0805	0 P 5	54.01.0020	1 pce	1p	Pin, 1reihtig, gerade
0 C 21	59.60.3337	1 pce	100n	CER 50V, 10%, X7R, 0805	0 P 6	54.01.0020	1 pce	1p	Pin, 1reihtig, gerade
0 C 22	59.60.3337	1 pce	100n	CER 50V, 10%, X7R, 0805	0 R 1	not used	1 pce	220R	MF, 1%, 0204, E24
0 C 23	59.60.3337	1 pce	100n	CER 50V, 10%, X7R, 0805	0 R 2	not used	1 pce	220R	MF, 1%, 0204, E24
0 C 24	59.60.3337	1 pce	100n	CER 50V, 10%, X7R, 0805	0 R 3	57.60.1103	1 pce	10k	MF, 1%, 0204, E24
0 C 25	59.60.3337	1 pce	100n	CER 50V, 10%, X7R, 0805	0 R 4	57.60.1103	1 pce	10k	MF, 1%, 0204, E24
0 C 26	59.60.3337	1 pce	100n	CER 50V, 10%, X7R, 0805	0 R 5	57.60.1103	1 pce	10k	MF, 1%, 0204, E24
0 C 27	59.60.3337	1 pce	100n	CER 50V, 10%, X7R, 0805	0 R 6	57.60.1103	1 pce	10k	MF, 1%, 0204, E24
0 C 28	59.60.3337	1 pce	100n	CER 50V, 10%, X7R, 0805	0 R 7	not used	1 pce	27R	MF, 1%, 0204, E24
0 C 29	59.60.3337	1 pce	100n	CER 50V, 10%, X7R, 0805	0 R 8	not used	1 pce	22R	MF, 1%, 0204, E24
0 C 30	59.68.0065	1 pce	10u	EL 16V, 4.0*5.7	0 R 9	not used	1 pce	27R	MF, 1%, 0204, E24
0 C 31	59.60.3337	1 pce	100n	CER 50V, 10%, X7R, 0805	0 R 10	not used	1 pce	22R	MF, 1%, 0204, E24
0 C 32	59.60.3337	1 pce	100n	CER 50V, 10%, X7R, 0805	0 R 11	not used	1 pce	27R	MF, 1%, 0204, E24
0 C 33	59.60.2241	1 pce	47p	CER 50V, 5%, COG, 0603	0 R 12	not used	1 pce	22R	MF, 1%, 0204, E24
0 C 34	59.60.3315	1 pce	1n5	CER 50V, 10%, X7R, 0805	0 R 13	not used	1 pce	27R	MF, 1%, 0204, E24
0 C 35	59.60.3337	1 pce	100n	CER 50V, 10%, X7R, 0805	0 R 14	not used	1 pce	22R	MF, 1%, 0204, E24
0 C 36	59.60.3337	1 pce	100n	CER 50V, 10%, X7R, 0805	0 R 15	57.92.7053	1 pce	1.6A	PTC 30V
0 C 37	59.68.0065	1 pce	10u	EL 16V, 4.0*5.7	0 R 16	57.60.1102	1 pce	1k0	MF, 1%, 0204, E24
0 C 38	59.68.0065	1 pce	10u	EL 16V, 4.0*5.7	0 R 17	not used	1 pce	100k	MF, 1%, 0204, E24
0 C 39	59.60.3337	1 pce	100n	CER 50V, 10%, X7R, 0805	0 R 18	not used	1 pce	1k0	MF, 1%, 0204, E24
0 C 40	59.60.3337	1 pce	100n	CER 50V, 10%, X7R, 0805	0 R 19	not used	1 pce	2k2	MF, 1%, 0204, E24
0 C 41	not used	1 pce	100p	CER 50V, 5%, COG, 0603	0 R 20	not used	1 pce	2k2	MF, 1%, 0204, E24
0 C 42	not used	1 pce	100p	CER 50V, 5%, COG, 0603	0 R 21	not used	1 pce	22R	MF, 1%, 0204, E24
0 C 43	not used	1 pce	100p	CER 50V, 5%, COG, 0603	0 R 22	not used	1 pce	10k	MF, 1%, 0204, E24
0 C 44	not used	1 pce	100p	CER 50V, 5%, COG, 0603	0 R 23	57.60.1102	1 pce	1k0	MF, 1%, 0204, E24
0 C 45	59.68.0065	1 pce	10u	EL 16V, 4.0*5.7	0 R 24	57.60.1103	1 pce	10k	MF, 1%, 0204, E24
0 C 46	59.60.3337	1 pce	100n	CER 50V, 10%, X7R, 0805	0 R 25	57.60.1103	1 pce	10k	MF, 1%, 0204, E24
0 C 47	59.60.3337	1 pce	100n	CER 50V, 10%, X7R, 0805	0 R 26	57.60.1103	1 pce	10k	MF, 1%, 0204, E24
0 C 48	59.60.3337	1 pce	100n	CER 50V, 10%, X7R, 0805	0 R 27	57.60.1103	1 pce	10k	MF, 1%, 0204, E24
0 C 49	59.60.3337	1 pce	100n	CER 50V, 10%, X7R, 0805	0 R 28	57.60.1103	1 pce	10k	MF, 1%, 0204, E24
0 C 50	59.60.3337	1 pce	100n	CER 50V, 10%, X7R, 0805	0 R 29	57.60.1103	1 pce	10k	MF, 1%, 0204, E24
0 C 51	59.60.2241	1 pce	47p	CER 50V, 5%, COG, 0603	0 R 30	57.60.1274	1 pce	270k	MF, 1%, 0204, E24
0 C 52	59.60.3315	1 pce	1n5	CER 50V, 10%, X7R, 0805	0 R 31	57.60.1333	1 pce	33k	MF, 1%, 0204, E24
0 C 53	59.60.3337	1 pce	100n	CER 50V, 10%, X7R, 0805	0 R 32	57.60.1333	1 pce	33k	MF, 1%, 0204, E24
0 C 54	59.60.3337	1 pce	100n	CER 50V, 10%, X7R, 0805	0 R 33	57.60.1689	1 pce	6R8	MF, 1%, 0204, E24
0 C 55	59.60.3337	1 pce	100n	CER 50V, 10%, X7R, 0805	0 R 34	57.60.1333	1 pce	33k	MF, 1%, 0204, E24
0 C 56	59.68.0065	1 pce	10u	EL 16V, 4.0*5.7	0 R 35	57.60.1333	1 pce	33k	MF, 1%, 0204, E24
0 C 57	not used	1 pce	100n	CER 50V, 10%, X7R, 0805	0 R 36	57.60.1103	1 pce	10k	MF, 1%, 0204, E24
0 C 58	not used	1 pce	100n	CER 50V, 10%, X7R, 0805	0 R 37	57.60.1222	1 pce	2k2	MF, 1%, 0204, E24
0 C 59	not used	1 pce	100n	CER 50V, 10%, X7R, 0805	0 R 38	57.60.1222	1 pce	2k2	MF, 1%, 0204, E24
0 C 60	not used	1 pce	100n	CER 50V, 10%, X7R, 0805	0 R 39	57.60.1682	1 pce	6k8	MF, 1%, 0204, E24
0 C 61	59.60.3337	1 pce	100n	CER 50V, 10%, X7R, 0805	0 R 40	57.60.1273	1 pce	27k	MF, 1%, 0204, E24
0 D 1	50.60.8001	1 pce	4448	200mA 75V 4ns SOD 80	0 R 41	57.60.1103	1 pce	10k	MF, 1%, 0204, E24
0 D 2	50.60.8001	1 pce	4448	200mA 75V 4ns SOD 80	0 R 42	57.60.1330	1 pce	33R	MF, 1%, 0204, E24
0 D 3	50.60.8001	1 pce	4448	200mA 75V 4ns SOD 80	0 R 43	57.60.1104	1 pce	100k	MF, 1%, 0204, E24
0 DL 1	50.04.2202	1 pce	HLMP1790	DL HLMP - 1790 GN	0 R 44	57.60.1102	1 pce	1k0	MF, 1%, 0204, E24
0 DL 2	50.04.2202	1 pce	HLMP1790	DL HLMP - 1790 GN	0 R 45	not used	1 pce	22R	MF, 1%, 0204, E24
0 DL 3	50.04.2202	1 pce	HLMP1790	DL HLMP - 1790 GN	0 R 46	57.60.1330	1 pce	33R	MF, 1%, 0204, E24
0 IC 1	not used	1 pce	DS34C87	4*RS 422 Line Driver	0 R 47	57.60.1103	1 pce	10k	MF, 1%, 0204, E24
0 IC 2	not used	1 pce	DS34C87	4*RS 422 Line Driver	0 R 48	57.60.1473	1 pce	47k	MF, 1%, 0204, E24
0 IC 3	not used	1 pce	CS8412	AES-Receiver	0 R 49	57.60.1330	1 pce	33R	MF, 1%, 0204, E24
0 IC 4	not used	1 pce	DS34C86	4*RS 422 Line Receiver	0 R 50	57.60.1103	1 pce	10k	MF, 1%, 0204, E24
0 IC 5	89.10.0131	1 pce	TORX194	Toslink Receiver	0 R 51	57.60.1274	1 pce	270k	MF, 1%, 0204, E24
0 IC 6	50.06.0541	1 pce	74LS541	SN 74 LS 541 N	0 R 52	57.60.1333	1 pce	33k	MF, 1%, 0204, E24
0 IC 7	50.06.0541	1 pce	74LS541	SN 74 LS 541 N	0 R 53	57.60.1333	1 pce	33k	MF, 1%, 0204, E24
0 IC 8	50.63.4210	1 pce	EPF10K10	PLD 10 000 gates	0 R 54	57.60.1689	1 pce	6R8	MF, 1%, 0204, E24
0 IC 9	89.10.0131	1 pce	TORX194	Toslink Receiver	0 R 55	57.60.1333	1 pce	33k	MF, 1%, 0204, E24
0 IC 10	50.61.0203	1 pce	OP279	Dual Op-Amp single supply	0 R 56	57.60.1333	1 pce	33k	MF, 1%, 0204, E24
0 IC 11	50.62.4946	1 pce	74HCT9046	PLL with bandgap contr VCO	0 R 57	not used	1 pce	2k2	MF, 1%, 0204, E24
0 IC 12	50.62.6014	1 pce	74ACT 14	Hex inverting Schmitt trigger	0 R 58	not used	1 pce	2k2	MF, 1%, 0204, E24
0 IC 13	1.940.956.20	1 pce		SW490 PADATI (50.63.4298)	0 R 59	57.60.1103	1 pce	10k	MF, 1%, 0204, E24
0 IC 14	50.61.0203	1 pce	OP279	Dual Op-Amp single supply	0 R 60	57.60.1222	1 pce	2k2	MF, 1%, 0204, E24
0 IC 15	50.62.4946	1 pce	74HCT9046	PLL with bandgap contr VCO	0 R 61	57.60.1222	1 pce	2k2	MF, 1%, 0204, E24
0 IC 16	not used	1 pce	DS34C87	4*RS 422 Line Driver	0 R 62	57.60.1682	1 pce	6k8	MF, 1%, 0204, E24
0 IC 17	not used	1 pce	DS34C87	4*RS 422 Line Driver	0 R 63	57.60.1102	1 pce	1k0	MF, 1%, 0204, E24
0 J 1	54.11.2009	1 pce	96p	EU-R 3*32p	0 R 64	57.60.1273	1 pce	27k	MF, 1%, 0204, E24
0 JP 1	54.01.0021	1 pce	Jumper	0.63*0.63mm, Au	0 R 65	57.60.1104	1 pce	100k	MF, 1%, 0204, E24
1 JP 2	54.01.0021	1 pce	Jumper	0.63*0.63mm, Au	0 R 66	57.60.1102	1 pce	1k0	MF, 1%, 0204, E24

ADATI, ADAT Interface 1.940.490.22 (1)

Page: 2 of 2

Idx. Pos.	Part No.	Qty.	Type/Val.	Description	Idx. Pos.	Part No.	Qty.	Type/Val.	Description
0	R 67	57.60.1330	1 pce	33R	MF, 1%, 0204, E24				
0	R 68	57.60.1103	1 pce	10k	MF, 1%, 0204, E24				
0	R 69	57.60.1103	1 pce	10k	MF, 1%, 0204, E24				
0	R 70	57.60.1103	1 pce	10k	MF, 1%, 0204, E24				
0	R 71	not used	1 pce	22R	MF, 1%, 0204, E24				
0	R 72	not used	1 pce	27R	MF, 1%, 0204, E24				
0	R 73	not used	1 pce	22R	MF, 1%, 0204, E24				
0	R 74	not used	1 pce	27R	MF, 1%, 0204, E24				
0	R 75	not used	1 pce	22R	MF, 1%, 0204, E24				
0	R 76	not used	1 pce	27R	MF, 1%, 0204, E24				
0	R 77	not used	1 pce	22R	MF, 1%, 0204, E24				
0	R 78	not used	1 pce	27R	MF, 1%, 0204, E24				
0	S 1	55.60.0104	1 pce	4p	SMD DIL-Switch				
0	T 1	not used	1 pce	1:1	DI/DO TRANSFORMER				
0	T 2	not used	1 pce	1:1.4	OUTPUT TRAF0 AES/EBU				
0	T 3	not used	1 pce	1:1.4	OUTPUT TRAF0 AES/EBU				
0	T 4	not used	1 pce	1:1.4	OUTPUT TRAF0 AES/EBU				
0	T 5	not used	1 pce	1:1.4	OUTPUT TRAF0 AES/EBU				
0	T 6	not used	1 pce	1:1.4	OUTPUT TRAF0 AES/EBU				
0	T 7	not used	1 pce	1:1.4	OUTPUT TRAF0 AES/EBU				
0	T 8	not used	1 pce	1:1.4	OUTPUT TRAF0 AES/EBU				
0	T 9	not used	1 pce	1:1.4	OUTPUT TRAF0 AES/EBU				
0	TP 1	54.02.0320	1 pce	1p	PCB-Flachst 2.8*0.8, gerade				
0	XDL 1	50.20.2501	1 pce	Spacer	LED-Sockel				
0	XDL 2	50.20.2501	1 pce	Spacer	LED-Sockel				
0	XDL 3	50.20.2501	1 pce	Spacer	LED-Sockel				
0	XIC 8	53.03.2284	1 pce	84p	PLCC-Socket				
0	XIC 13	53.03.0166	1 pce	8p	DIL 0.3". löt. gerade				

End of List

(01) JP2 Jumper is used

ADATI, ADAT Interface w. AES Out 1.940.491.22 (0)

Idx. Pos.	Part No.	Qty.	Type/Val.	Description	Idx. Pos.	Part No.	Qty.	Type/Val.	Description
0 C 1	59.60.3337	1 pce	100n	CER 50V, 10%, X7R, 0805	0 L 1	62.60.0125	1 pce	100uH	SMD 10% 1210
0 C 2	59.60.3337	1 pce	100n	CER 50V, 10%, X7R, 0805	0 L 2	62.60.0125	1 pce	100uH	SMD 10% 1210
0 C 3	59.60.3337	1 pce	100n	CER 50V, 10%, X7R, 0805	0 MP 1	1.940.490.12	1 pce		D19M ALESIS Interface PCB
0 C 4	59.60.3337	1 pce	100n	CER 50V, 10%, X7R, 0805	0 MP 2	43.01.0108	1 pce	Label	ESE-WARNschild
0 C 5	59.60.3337	1 pce	100n	CER 50V, 10%, X7R, 0805	0 MP 3	1.940.490.04	1 pce		TYPENSCHILD
0 C 6	59.60.3337	1 pce	100n	CER 50V, 10%, X7R, 0805	0 MP 4	1.101.001.22	1 pce		TEXT-ETIK. 5*20 HARDWARE -22
0 C 7	59.60.3337	1 pce	100n	CER 50V, 10%, X7R, 0805	0 MP 5	28.99.0119	2 pcs		ROHRNIETE D 2.5*0.15* 9
0 C 8	59.60.3333	1 pce	47n	CER 50V, 10%, X7R, 0805	0 MP 6	1.940.490.01	1 pce		FRONTPLATTE ALESIS
0 C 9	59.60.3325	1 pce	10n	CER 50V, 10%, X7R, 0805	0 MP 7	49.02.0522	2 pcs		Kartenhalter mit Z-Schr
0 C 10	59.60.3337	1 pce	100n	CER 50V, 10%, X7R, 0805	0 MP 8	49.02.0521	2 pcs		Metall-Buchse (Rack)
0 C 11	59.60.3337	1 pce	100n	CER 50V, 10%, X7R, 0805	0 MP 9	49.02.0520	2 pcs	M2.5*12	Rändelschraube (Rack)
0 C 12	59.68.0069	1 pce	47u	EL 16V, 6.3*5.7	0 MP 10	49.02.0523	1 pce	M2.5*7	Senk-Schr, KS, Senkripp
0 C 13	59.60.3337	1 pce	100n	CER 50V, 10%, X7R, 0805	0 MP 11	49.02.0504	1 pce	4TE	Frontplatten-Griff
0 C 14	59.60.3325	1 pce	10n	CER 50V, 10%, X7R, 0805	0 MP 12	21.53.0284	1 pce	M2.5*16	Z-Schraube Inbus Zn gb chr
0 C 15	59.68.0069	1 pce	47u	EL 16V, 6.3*5.7	0 MP 13	1.940.600.04	1 pce		GRIFFEINLAGE 4TE
0 C 16	59.60.2249	1 pce	100p	CER 50V, 5%, COG, 0603	0 P 1	54.01.0020	1 pce	1p	Pin, 1reihig, gerade
0 C 17	59.60.2249	1 pce	100p	CER 50V, 5%, COG, 0603	0 P 2	54.01.0020	1 pce	1p	Pin, 1reihig, gerade
0 C 18	59.60.2249	1 pce	100p	CER 50V, 5%, COG, 0603	0 P 3	54.01.0020	1 pce	1p	Pin, 1reihig, gerade
0 C 19	59.60.2249	1 pce	100p	CER 50V, 5%, COG, 0603	0 P 4	54.01.0020	1 pce	1p	Pin, 1reihig, gerade
0 C 20	59.60.3337	1 pce	100n	CER 50V, 10%, X7R, 0805	0 P 5	54.01.0020	1 pce	1p	Pin, 1reihig, gerade
0 C 21	59.60.3337	1 pce	100n	CER 50V, 10%, X7R, 0805	0 P 6	54.01.0020	1 pce	1p	Pin, 1reihig, gerade
0 C 22	59.60.3337	1 pce	100n	CER 50V, 10%, X7R, 0805	0 R 1	57.60.1221	1 pce	220R	MF, 1%, 0204, E24
0 C 23	59.60.3337	1 pce	100n	CER 50V, 10%, X7R, 0805	0 R 2	57.60.1221	1 pce	220R	MF, 1%, 0204, E24
0 C 24	59.60.3337	1 pce	100n	CER 50V, 10%, X7R, 0805	0 R 3	57.60.1103	1 pce	10k	MF, 1%, 0204, E24
0 C 25	59.60.3337	1 pce	100n	CER 50V, 10%, X7R, 0805	0 R 4	57.60.1103	1 pce	10k	MF, 1%, 0204, E24
0 C 26	59.60.3337	1 pce	100n	CER 50V, 10%, X7R, 0805	0 R 5	57.60.1103	1 pce	10k	MF, 1%, 0204, E24
0 C 27	59.60.3337	1 pce	100n	CER 50V, 10%, X7R, 0805	0 R 6	57.60.1103	1 pce	10k	MF, 1%, 0204, E24
0 C 28	59.60.3337	1 pce	100n	CER 50V, 10%, X7R, 0805	0 R 7	57.60.1270	1 pce	27R	MF, 1%, 0204, E24
0 C 29	59.60.3337	1 pce	100n	CER 50V, 10%, X7R, 0805	0 R 8	57.60.1220	1 pce	22R	MF, 1%, 0204, E24
0 C 30	59.68.0065	1 pce	10u	EL 16V, 4.0*5.7	0 R 9	57.60.1270	1 pce	27R	MF, 1%, 0204, E24
0 C 31	59.60.3337	1 pce	100n	CER 50V, 10%, X7R, 0805	0 R 10	57.60.1220	1 pce	22R	MF, 1%, 0204, E24
0 C 32	59.60.3337	1 pce	100n	CER 50V, 10%, X7R, 0805	0 R 11	57.60.1270	1 pce	27R	MF, 1%, 0204, E24
0 C 33	59.60.2241	1 pce	47p	CER 50V, 5%, COG, 0603	0 R 12	57.60.1220	1 pce	22R	MF, 1%, 0204, E24
0 C 34	59.60.3315	1 pce	1n5	CER 50V, 10%, X7R, 0805	0 R 13	57.60.1270	1 pce	27R	MF, 1%, 0204, E24
0 C 35	59.60.3337	1 pce	100n	CER 50V, 10%, X7R, 0805	0 R 14	57.60.1220	1 pce	22R	MF, 1%, 0204, E24
0 C 36	59.60.3337	1 pce	100n	CER 50V, 10%, X7R, 0805	0 R 15	57.92.7053	1 pce	1.6A	PTC 30V
0 C 37	59.68.0065	1 pce	10u	EL 16V, 4.0*5.7	0 R 16	57.60.1102	1 pce	1k0	MF, 1%, 0204, E24
0 C 38	59.68.0065	1 pce	10u	EL 16V, 4.0*5.7	0 R 17	57.60.1104	1 pce	100k	MF, 1%, 0204, E24
0 C 39	59.60.3337	1 pce	100n	CER 50V, 10%, X7R, 0805	0 R 18	57.60.1102	1 pce	1k0	MF, 1%, 0204, E24
0 C 40	59.60.3337	1 pce	100n	CER 50V, 10%, X7R, 0805	0 R 19	57.60.1222	1 pce	2k2	MF, 1%, 0204, E24
0 C 41	59.60.2249	1 pce	100p	CER 50V, 5%, COG, 0603	0 R 20	57.60.1222	1 pce	2k2	MF, 1%, 0204, E24
0 C 42	59.60.2249	1 pce	100p	CER 50V, 5%, COG, 0603	0 R 21	57.60.1220	1 pce	22R	MF, 1%, 0204, E24
0 C 43	59.60.2249	1 pce	100p	CER 50V, 5%, COG, 0603	0 R 22	57.60.1103	1 pce	10k	MF, 1%, 0204, E24
0 C 44	59.60.2249	1 pce	100p	CER 50V, 5%, COG, 0603	0 R 23	57.60.1102	1 pce	1k0	MF, 1%, 0204, E24
0 C 45	59.68.0065	1 pce	10u	EL 16V, 4.0*5.7	0 R 24	57.60.1103	1 pce	10k	MF, 1%, 0204, E24
0 C 46	59.60.3337	1 pce	100n	CER 50V, 10%, X7R, 0805	0 R 25	57.60.1103	1 pce	10k	MF, 1%, 0204, E24
0 C 47	59.60.3337	1 pce	100n	CER 50V, 10%, X7R, 0805	0 R 26	57.60.1103	1 pce	10k	MF, 1%, 0204, E24
0 C 48	59.60.3337	1 pce	100n	CER 50V, 10%, X7R, 0805	0 R 27	57.60.1103	1 pce	10k	MF, 1%, 0204, E24
0 C 49	59.60.3337	1 pce	100n	CER 50V, 10%, X7R, 0805	0 R 28	57.60.1103	1 pce	10k	MF, 1%, 0204, E24
0 C 50	59.60.3337	1 pce	100n	CER 50V, 10%, X7R, 0805	0 R 29	57.60.1103	1 pce	10k	MF, 1%, 0204, E24
0 C 51	59.60.2241	1 pce	47p	CER 50V, 5%, COG, 0603	0 R 30	57.60.1274	1 pce	270k	MF, 1%, 0204, E24
0 C 52	59.60.3315	1 pce	1n5	CER 50V, 10%, X7R, 0805	0 R 31	57.60.1333	1 pce	33k	MF, 1%, 0204, E24
0 C 53	59.60.3337	1 pce	100n	CER 50V, 10%, X7R, 0805	0 R 32	57.60.1333	1 pce	33k	MF, 1%, 0204, E24
0 C 54	59.60.3337	1 pce	100n	CER 50V, 10%, X7R, 0805	0 R 33	57.60.1689	1 pce	6R8	MF, 1%, 0204, E24
0 C 55	59.60.3337	1 pce	100n	CER 50V, 10%, X7R, 0805	0 R 34	57.60.1333	1 pce	33k	MF, 1%, 0204, E24
0 C 56	59.68.0065	1 pce	10u	EL 16V, 4.0*5.7	0 R 35	57.60.1333	1 pce	33k	MF, 1%, 0204, E24
0 C 57	59.60.3337	1 pce	100n	CER 50V, 10%, X7R, 0805	0 R 36	57.60.1103	1 pce	10k	MF, 1%, 0204, E24
0 C 58	59.60.3337	1 pce	100n	CER 50V, 10%, X7R, 0805	0 R 37	57.60.1222	1 pce	2k2	MF, 1%, 0204, E24
0 C 59	59.60.3337	1 pce	100n	CER 50V, 10%, X7R, 0805	0 R 38	57.60.1222	1 pce	2k2	MF, 1%, 0204, E24
0 C 60	59.60.3337	1 pce	100n	CER 50V, 10%, X7R, 0805	0 R 39	57.60.1682	1 pce	6k8	MF, 1%, 0204, E24
0 C 61	59.60.3337	1 pce	100n	CER 50V, 10%, X7R, 0805	0 R 40	57.60.1273	1 pce	27k	MF, 1%, 0204, E24
0 D 1	50.60.8001	1 pce	4448	200mA 75V 4ns SOD 80	0 R 41	57.60.1103	1 pce	10k	MF, 1%, 0204, E24
0 D 2	50.60.8001	1 pce	4448	200mA 75V 4ns SOD 80	0 R 42	57.60.1330	1 pce	33R	MF, 1%, 0204, E24
0 D 3	50.60.8001	1 pce	4448	200mA 75V 4ns SOD 80	0 R 43	57.60.1104	1 pce	100k	MF, 1%, 0204, E24
0 DL 1	50.04.2202	1 pce		DL HLMP-1790 GN	0 R 44	57.60.1102	1 pce	1k0	MF, 1%, 0204, E24
0 DL 2	50.04.2202	1 pce		DL HLMP-1790 GN	0 R 45	57.60.1220	1 pce	22R	MF, 1%, 0204, E24
0 DL 3	50.04.2202	1 pce		DL HLMP-1790 GN	0 R 46	57.60.1330	1 pce	33R	MF, 1%, 0204, E24
0 IC 1	50.62.0464	1 pce		DS34C87 4*RS 422 Line Driver	0 R 47	57.60.1103	1 pce	10k	MF, 1%, 0204, E24
0 IC 2	50.62.0464	1 pce		DS34C87 4*RS 422 Line Driver	0 R 48	57.60.1473	1 pce	47k	MF, 1%, 0204, E24
0 IC 3	50.62.0913	1 pce		CS8412 AES-Receiver	0 R 49	57.60.1330	1 pce	33R	MF, 1%, 0204, E24
0 IC 4	50.62.0463	1 pce		DS34C86 4*RS 422 Line Receiver	0 R 50	57.60.1103	1 pce	10k	MF, 1%, 0204, E24
0 IC 5	89.10.0131	1 pce		TORX194 Toslink Receiver	0 R 51	57.60.1274	1 pce	270k	MF, 1%, 0204, E24
0 IC 6	50.08.0541	1 pce		74LS541 SN 74 LS 541 N	0 R 52	57.60.1333	1 pce	33k	MF, 1%, 0204, E24
0 IC 7	50.08.0541	1 pce		74LS541 SN 74 LS 541 N	0 R 53	57.60.1333	1 pce	33k	MF, 1%, 0204, E24
0 IC 8	50.63.4210	1 pce		EPF10K10 PLD 10 000 gates	0 R 54	57.60.1689	1 pce	6R8	MF, 1%, 0204, E24
0 IC 9	89.10.0131	1 pce		TORX194 Toslink Receiver	0 R 55	57.60.1333	1 pce	33k	MF, 1%, 0204, E24
0 IC 10	50.61.0203	1 pce		OP279 Dual Op-Amp single supply	0 R 56	57.60.1333	1 pce	33k	MF, 1%, 0204, E24
0 IC 11	50.62.4946	1 pce		74HCT9046 PLL with bandgap contr VCO	0 R 57	57.60.1222	1 pce	2k2	MF, 1%, 0204, E24
0 IC 12	50.62.6014	1 pce		74ACT 14 Hex inverting Schmitt trigger	0 R 58	57.60.1222	1 pce	2k2	MF, 1%, 0204, E24
0 IC 13	1.940.956.20	1 pce		SW490 PADATI (50.63.4298)	0 R 59	57.60.1103	1 pce	10k	MF, 1%, 0204, E24
0 IC 14	50.61.0203	1 pce		OP279 Dual Op-Amp single supply	0 R 60	57.60.1222	1 pce	2k2	MF, 1%, 0204, E24
0 IC 15	50.62.4946	1 pce		74HCT9046 PLL with bandgap contr VCO	0 R 61	57.60.1222	1 pce	2k2	MF, 1%, 0204, E24
0 IC 16	50.62.0464	1 pce		DS34C87 4*RS 422 Line Driver	0 R 62	57.60.1682	1 pce	6k8	MF, 1%, 0204, E24
0 IC 17	50.62.0464	1 pce		DS34C87 4*RS 422 Line Driver	0 R 63	57.60.1102	1 pce	1k0	MF, 1%, 0204, E24
0 J 1	54.11.2009	1 pce	96p	EU-R 3*32p	0 R 64	57.60.1273	1 pce	27k	MF, 1%, 0204, E24
0 JP 1	54.01.0021	1 pce		Jumper 0.63*0.63mm, Au	0 R 65	57.60.1104	1 pce	100k	MF, 1%, 0204, E24
0 JP 2	54.01.0021	1 pce		Jumper 0.63*0.63mm, Au	0 R 66	57.60.1102	1 pce	1k0	MF, 1%, 0204, E24

ADATI, ADAT Interface w. AES Out 1.940.491.22 (0)

Idx. Pos.	Part No.	Qty.	Type/Val.	Description
0	R 67	57.60.1330	1 pce	33R MF, 1%, 0204, E24
0	R 68	57.60.1103	1 pce	10k MF, 1%, 0204, E24
0	R 69	57.60.1103	1 pce	10k MF, 1%, 0204, E24
0	R 70	57.60.1103	1 pce	10k MF, 1%, 0204, E24
0	R 71	57.60.1220	1 pce	22R MF, 1%, 0204, E24
0	R 72	57.60.1270	1 pce	27R MF, 1%, 0204, E24
0	R 73	57.60.1220	1 pce	22R MF, 1%, 0204, E24
0	R 74	57.60.1270	1 pce	27R MF, 1%, 0204, E24
0	R 75	57.60.1220	1 pce	22R MF, 1%, 0204, E24
0	R 76	57.60.1270	1 pce	27R MF, 1%, 0204, E24
0	R 77	57.60.1220	1 pce	22R MF, 1%, 0204, E24
0	R 78	57.60.1270	1 pce	27R MF, 1%, 0204, E24
0	S 1	55.60.0104	1 pce	4p SMD DIL-Switch
0	T 1	1.022.632.00	1 pce	1:1 DI/DO TRANSFORMER
0	T 2	1.022.647.00	1 pce	1:1.4 OUTPUT TRAF0 AES/EBU
0	T 3	1.022.647.00	1 pce	1:1.4 OUTPUT TRAF0 AES/EBU
0	T 4	1.022.647.00	1 pce	1:1.4 OUTPUT TRAF0 AES/EBU
0	T 5	1.022.647.00	1 pce	1:1.4 OUTPUT TRAF0 AES/EBU
0	T 6	1.022.647.00	1 pce	1:1.4 OUTPUT TRAF0 AES/EBU
0	T 7	1.022.647.00	1 pce	1:1.4 OUTPUT TRAF0 AES/EBU
0	T 8	1.022.647.00	1 pce	1:1.4 OUTPUT TRAF0 AES/EBU
0	T 9	1.022.647.00	1 pce	1:1.4 OUTPUT TRAF0 AES/EBU
0	TP 1	54.02.0320	1 pce	1p PCB-Flachst 2.8*0.8, gerade
0	XDL 1	50.20.2501	1 pce	Spacer LED-Sockel
0	XDL 2	50.20.2501	1 pce	Spacer LED-Sockel
0	XDL 3	50.20.2501	1 pce	Spacer LED-Sockel
0	XIC 8	53.03.2284	1 pce	84p PLCC-Socket
0	XIC 13	53.03.0166	1 pce	8p DIL 0.3". löt. gerade

Idx. Pos.	Part No.	Qty.	Type/Val.	Description
-----------	----------	------	-----------	-------------

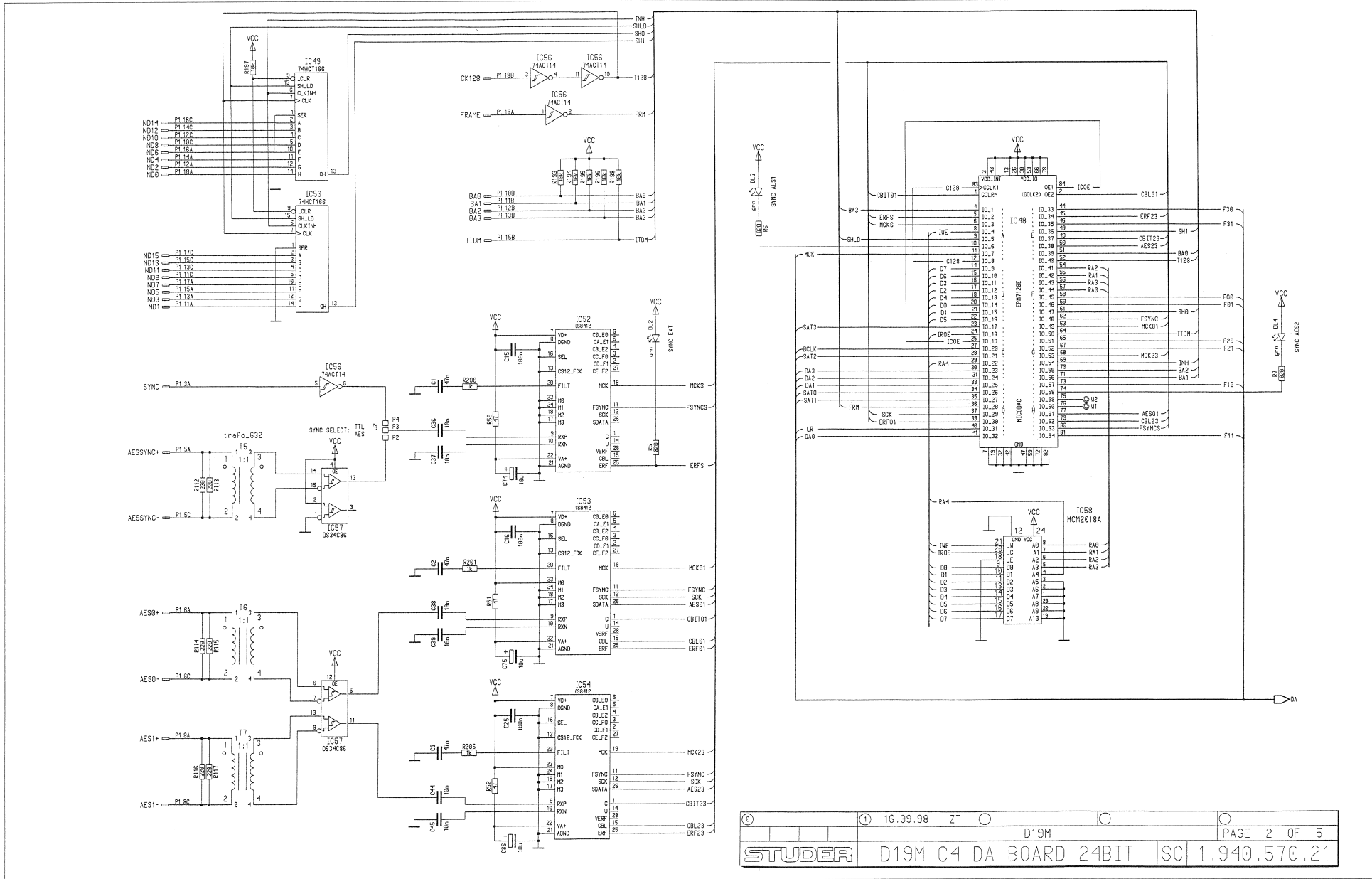
End of List

CIRCUIT DIAGRAMS: D19m OUTPUT INTERFACE CARDS

C4DA Board	1.940.570
C4DA/24/96 Board	1.940.571
AESO Board	1.940.585
Block Diagram MADO	1.940.520/1.940.530
MADO Coaxial	1.940.520
MADO Optical	1.940.530
MADO Optical	1.940.531
MADO Optical	1.940.532
TDIFO Board	1.940.485
TDIFO with AES In	1.940.486
ADATO Interface	1.940.495
ADATO Interface with AES In	1.940.496

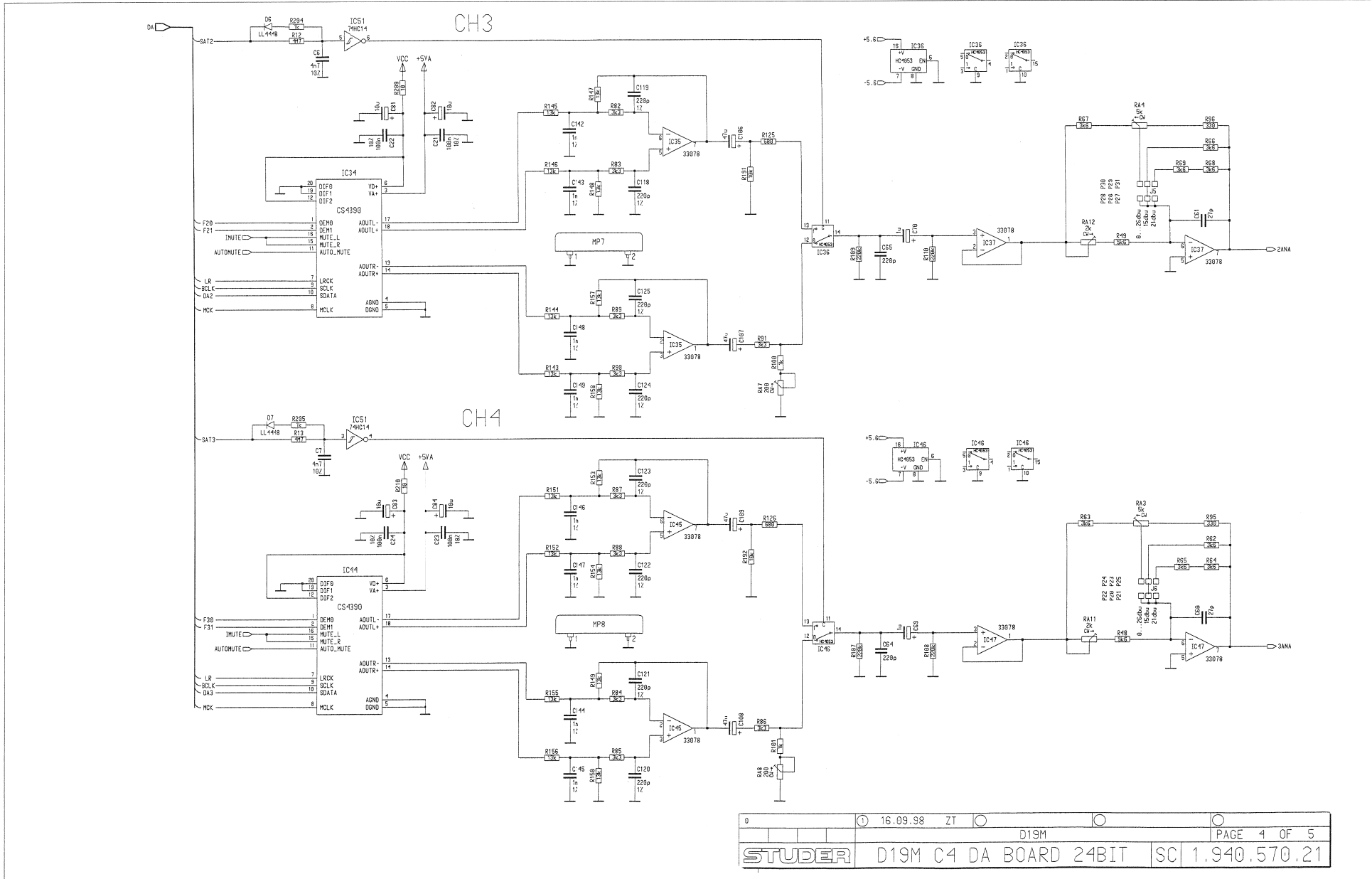


D19m C4 DA Board 24 Bit 1.940.570.21



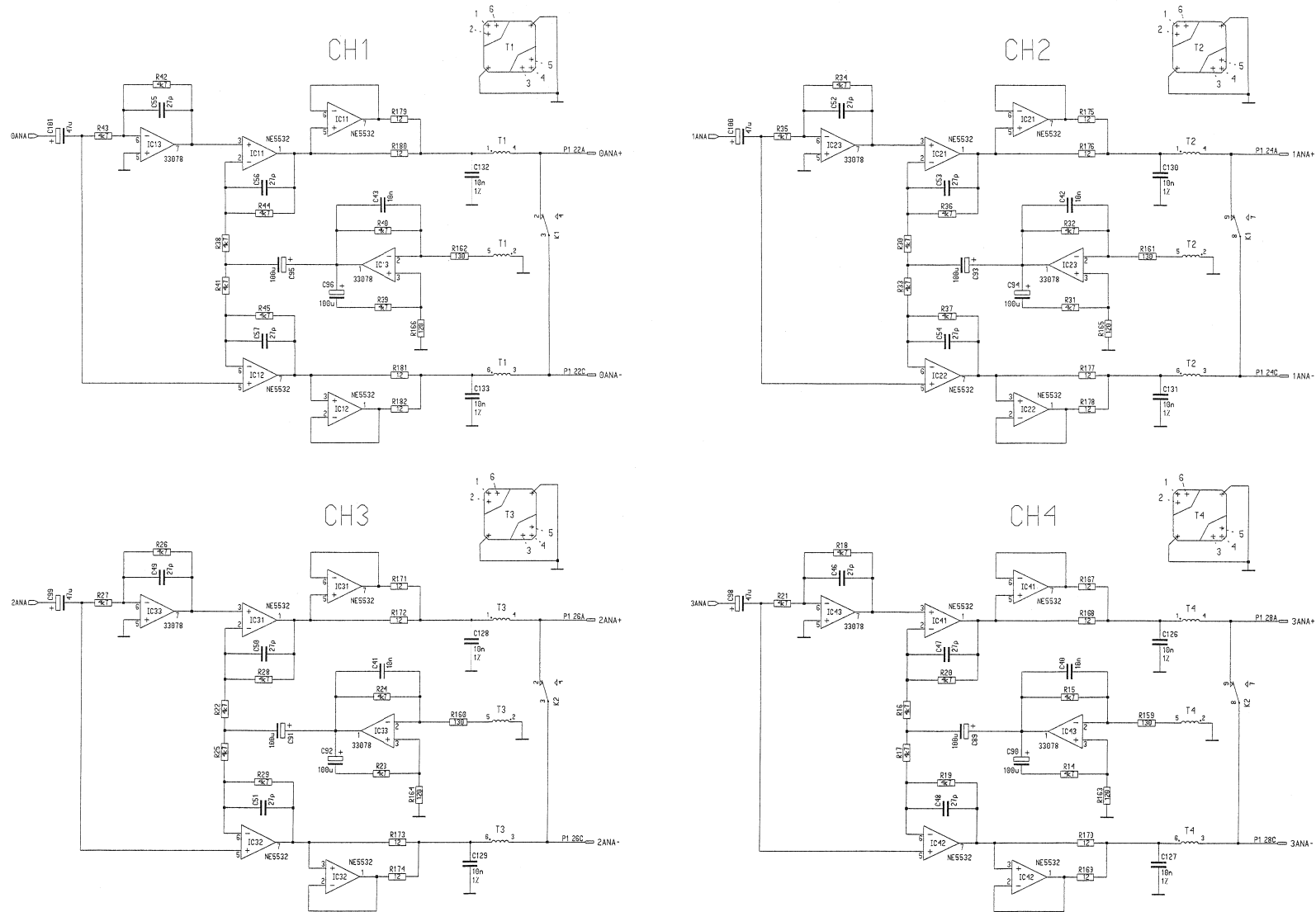


D19m C4 DA Board 24 Bit 1.940.570.21



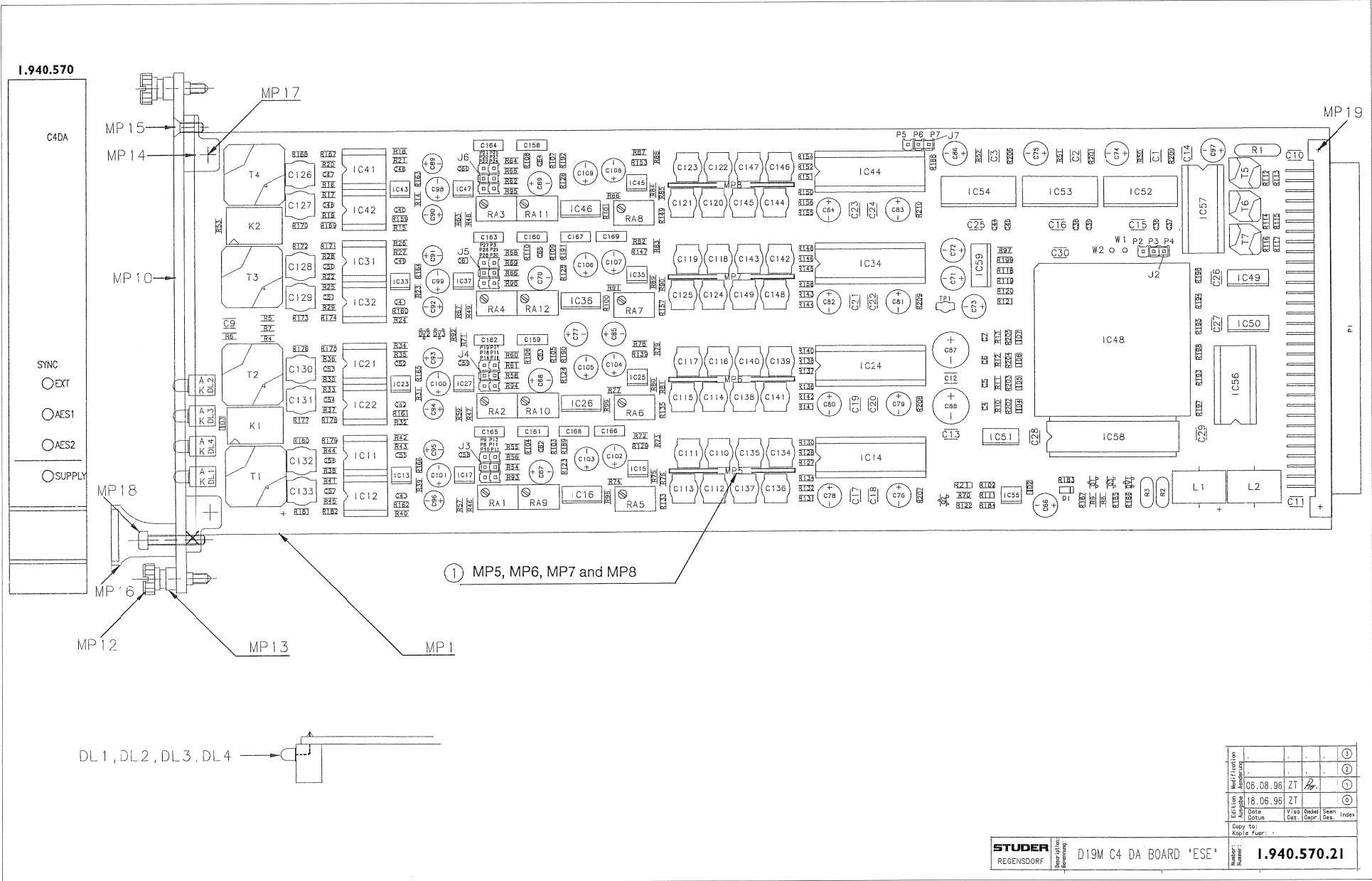


D19m C4 DA Board 24 Bit 1.940.570.21





D19m C4 DA Board 24 Bit 1.940.570.21



① MP5, MP6, MP7 and MP8

Edition	Modif	Function	Origin	Index
18.06.96	06.08.96	ZT	Re	1
Date	Date	Visa	Desk	Seen
Status	Stat	Capr	Capr	Stat
Copy to:				
Kopie fuer:				



DI9m C4 DA Board 24 Bit I.940.570.21

Idx.	Pos.	Part No.	Qty.	Type/Val.	Description	Idx.	Pos.	Part No.	Qty.	Type/Val.	Description
0	DL 1	50.04.2202		HLMP1790	DL HLMP - 1790 GN	0	P 1	54.11.2009	1 pce	96p	EU-R 3*32p
0	DL 2	50.04.2202		HLMP1790	DL HLMP - 1790 GN	0	P 2	54.01.0020	1 pce	1p	Pin 0.63*0.63
0	DL 3	50.04.2202		HLMP1790	DL HLMP - 1790 GN	0	P 3	54.01.0020	1 pce	1p	Pin 0.63*0.63
0	DL 4	50.04.2202		HLMP1790	DL HLMP - 1790 GN	0	P 4	54.01.0020	1 pce	1p	Pin 0.63*0.63
						0	P 5	54.01.0020	1 pce	1p	Pin 0.63*0.63
0	DV 1	50.60.9026		24V	5%, 0.2W, SOT 23	0	P 6	54.01.0020	1 pce	1p	Pin 0.63*0.63
0	DV 2	50.60.9011		5V6	5%, 0.2W, SOT 23	0	P 7	54.01.0020	1 pce	1p	Pin 0.63*0.63
0	DV 3	50.60.9011		5V6	5%, 0.2W, SOT 23	0	P 8	54.11.0136	1 pce	2*3p	Pin 0.63*0.63, RM2.54
						0	P 9	54.01.0020	0 pce	1p	Pin 0.63*0.63
0	IC 11	50.09.0106		5532AN	IC NE 5532 AN, NE 5532 AN, ,A	0	P 10	54.01.0020	0 pce	1p	Pin 0.63*0.63
0	IC 12	50.09.0106		5532AN	IC NE 5532 AN, NE 5532 AN, ,A	0	P 11	54.01.0020	0 pce	1p	Pin 0.63*0.63
0	IC 13	50.61.0204		MC33078	IC MC 33078 P	0	P 12	54.01.0020	0 pce	1p	Pin 0.63*0.63
0	IC 14	50.19.0114		D/A Conv	IC CS 4329-KP,	0	P 13	54.01.0020	0 pce	1p	Pin 0.63*0.63
0	IC 15	50.61.0204		MC33078	IC MC 33078 P	0	P 14	54.11.0136	1 pce	2*3p	Pin 0.63*0.63, RM2.54
0	IC 16	50.62.8053		HC4053	IC .. 74 HC 4053 . ,A	0	P 15	54.01.0020	0 pce	1p	Pin 0.63*0.63
0	IC 17	50.61.0204		MC33078	IC MC 33078 P	0	P 16	54.01.0020	0 pce	1p	Pin 0.63*0.63
0	IC 21	50.09.0106		5532AN	IC NE 5532 AN, NE 5532 AN, ,A	0	P 17	54.01.0020	0 pce	1p	Pin 0.63*0.63
0	IC 22	50.09.0106		5532AN	IC NE 5532 AN, NE 5532 AN, ,A	0	P 18	54.01.0020	0 pce	1p	Pin 0.63*0.63
0	IC 23	50.61.0204		MC33078	IC MC 33078 P	0	P 19	54.01.0020	0 pce	1p	Pin 0.63*0.63
0	IC 24	50.19.0114		D/A Conv	IC CS 4329-KP,	0	P 20	54.11.0136	1 pce	2*3p	Pin 0.63*0.63, RM2.54
0	IC 25	50.61.0204		MC33078	IC MC 33078 P	0	P 21	54.01.0020	0 pce	1p	Pin 0.63*0.63
0	IC 26	50.62.8053		HC4053	IC .. 74 HC 4053 . ,A	0	P 22	54.01.0020	0 pce	1p	Pin 0.63*0.63
0	IC 27	50.61.0204		MC33078	IC MC 33078 P	0	P 23	54.01.0020	0 pce	1p	Pin 0.63*0.63
0	IC 31	50.09.0106		5532AN	IC NE 5532 AN, NE 5532 AN, ,A	0	P 24	54.01.0020	0 pce	1p	Pin 0.63*0.63
0	IC 32	50.09.0106		5532AN	IC NE 5532 AN, NE 5532 AN, ,A	0	P 25	54.01.0020	0 pce	1p	Pin 0.63*0.63
0	IC 33	50.61.0204		MC33078	IC MC 33078 P	0	P 26	54.11.0136	1 pce	2*3p	Pin 0.63*0.63, RM2.54
0	IC 34	50.19.0114		D/A Conv	IC CS 4329-KP,	0	P 27	54.01.0020	0 pce	1p	Pin 0.63*0.63
0	IC 35	50.61.0204		MC33078	IC MC 33078 P	0	P 28	54.01.0020	0 pce	1p	Pin 0.63*0.63
0	IC 36	50.62.8053		HC4053	IC .. 74 HC 4053 . ,A	0	P 29	54.01.0020	0 pce	1p	Pin 0.63*0.63
0	IC 37	50.61.0204		MC33078	IC MC 33078 P	0	P 30	54.01.0020	0 pce	1p	Pin 0.63*0.63
0	IC 41	50.09.0106		5532AN	IC NE 5532 AN, NE 5532 AN, ,A	0	P 31	54.01.0020	0 pce	1p	Pin 0.63*0.63
0	IC 42	50.09.0106		5532AN	IC NE 5532 AN, NE 5532 AN, ,A	0	Q 1	50.60.1001		BC857B	PNP 45V 100mA SOT 23
0	IC 43	50.61.0204		MC33078	IC MC 33078 P	0	Q 2	50.60.1001		BC857B	PNP 45V 100mA SOT 23
0	IC 44	50.19.0114		D/A Conv	IC CS 4329-KP,	0	Q 3	50.60.0001		BC847B	NPN 45V 100mA SOT 23
0	IC 45	50.61.0204		MC33078	IC MC 33078 P						
0	IC 46	50.62.8053		HC4053	IC .. 74 HC 4053 . ,A	0	R 1	57.92.7053		1.6A	POLY- PTC, 30V
0	IC 47	50.61.0204		MC33078	IC MC 33078 P	0	R 2	57.92.7019		0.4A	POLY- PTC, 60V
0	IC 48	1.940.970.20		SW 570 MICODAC (50.63.4205)		0	R 3	57.92.7019		0.4A	POLY- PTC, 60V
0	IC 49	50.62.3166		74HCT166	.. 74 HCT 166 .	0	R 4	57.60.1821		820R	MF, 1%, 0204, E24
0	IC 50	50.62.3166		74HCT166	.. 74 HCT 166 .	0	R 5	57.60.1821		820R	MF, 1%, 0204, E24
0	IC 51	50.62.1014		74HC 14	IC .. 74 HC 14 . ,A	0	R 6	57.60.1821		820R	MF, 1%, 0204, E24
0	IC 52	50.62.0913		CS8412	AES-Receiver	0	R 7	57.60.1821		820R	MF, 1%, 0204, E24
0	IC 53	50.62.0913		CS8412	AES-Receiver	0	R 8	57.60.1683		66K	MF, 1%, 0204, E24
0	IC 54	50.62.0913		CS8412	AES-Receiver	0	R 9	57.60.1562		5K6	MF, 1%, 0204, E24
0	IC 55	50.61.9001		IC LM 393 D, LM 393		0	R 10	57.60.1475		4M7	MF, 1%, 0204, E24
0	IC 56	50.17.7014		ACT14	.. 74 ACT 14 .	0	R 11	57.60.1475		4M7	MF, 1%, 0204, E24
0	IC 57	50.15.0128		34C86	IC DS 34 C 86 TN, MC34C86P ,A	0	R 12	57.60.1475		4M7	MF, 1%, 0204, E24
0	IC 58	50.14.1009		CY7C128-35	IC MCM 2018 A - 35 ,A	0	R 13	57.60.1475		4M7	MF, 1%, 0204, E24
0	IC 59	50.10.0104		LM317SP	IC LM 317 SP, ..T.	0	R 14	57.60.1472		4K7	MF, 1%, 0204, E24
						0	R 15	57.60.1472		4K7	MF, 1%, 0204, E24
						0	R 16	57.60.1472		4K7	MF, 1%, 0204, E24
0	J 2	54.01.0021		Jumper	0.63 * 0.63mm	0	R 17	57.60.1472		4K7	MF, 1%, 0204, E24
0	J 3	54.01.0021		Jumper	0.63 * 0.63mm	0	R 18	57.60.1472		4K7	MF, 1%, 0204, E24
0	J 4	54.01.0021		Jumper	0.63 * 0.63mm	0	R 19	57.60.1472		4K7	MF, 1%, 0204, E24
0	J 5	54.01.0021		Jumper	0.63 * 0.63mm	0	R 20	57.60.1472		4K7	MF, 1%, 0204, E24
0	J 6	54.01.0021		Jumper	0.63 * 0.63mm	0	R 21	57.60.1472		4K7	MF, 1%, 0204, E24
0	J 7	54.01.0021		Jumper	0.63 * 0.63mm	0	R 22	57.60.1472		4K7	MF, 1%, 0204, E24
						0	R 23	57.60.1472		4K7	MF, 1%, 0204, E24
0	K 1	56.04.0197		2u	24V, 125V/2A, AG/AU	0	R 24	57.60.1472		4K7	MF, 1%, 0204, E24
0	K 2	56.04.0197		2u	24V, 125V/2A, AG/AU	0	R 25	57.60.1472		4K7	MF, 1%, 0204, E24
						0	R 26	57.60.1472		4K7	MF, 1%, 0204, E24
0	L 1	62.03.0010		48uH	L 48 U , 2 A, FILTER	0	R 27	57.60.1472		4K7	MF, 1%, 0204, E24
0	L 2	62.03.0010		48uH	L 48 U , 2 A, FILTER	0	R 28	57.60.1472		4K7	MF, 1%, 0204, E24
						0	R 29	57.60.1472		4K7	MF, 1%, 0204, E24
1	MP 1	1.940.570.12			D19M C4 DA BOARD PCB	0	R 30	57.60.1472		4K7	MF, 1%, 0204, E24
0	MP 2	1.940.570.04			TYPENSCHILD	0	R 31	57.60.1472		4K7	MF, 1%, 0204, E24
0	MP 3	43.01.0108		Label	ESE-WARNSCHILD	0	R 32	57.60.1472		4K7	MF, 1%, 0204, E24
0	MP 4	1.101.001.20		Label	TEXT-ETIK. 5*20 HARDWARE -20	0	R 33	57.60.1472		4K7	MF, 1%, 0204, E24
1	MP 5	1.940.570.02			Abschirmblech	0	R 34	57.60.1472		4K7	MF, 1%, 0204, E24
1	MP 6	1.940.570.02			Abschirmblech	0	R 35	57.60.1472		4K7	MF, 1%, 0204, E24
1	MP 7	1.940.570.02			Abschirmblech	0	R 36	57.60.1472		4K7	MF, 1%, 0204, E24
1	MP 8	1.940.570.02			Abschirmblech	0	R 37	57.60.1472		4K7	MF, 1%, 0204, E24
0	MP 10	1.940.570.01	1 pce		FRONTPLATTE	0	R 38	57.60.1472		4K7	MF, 1%, 0204, E24
0	MP 11	1.940.600.04	1 pce		GRIFFEINLAGE 4TE	0	R 39	57.60.1472		4K7	MF, 1%, 0204, E24
0	MP 12	49.02.0520	2 pcs	M2.5*12	Rändelschraube (Rack)	0	R 40	57.60.1472		4K7	MF, 1%, 0204, E24
0	MP 13	49.02.0521	2 pcs		Metall-Buchse (Rack)	0	R 41	57.60.1472		4K7	MF, 1%, 0204, E24
0	MP 14	49.02.0522	2 pcs		Kartenhalter (Rack)	0	R 42	57.60.1472		4K7	MF, 1%, 0204, E24
0	MP 15	49.02.0523	1 pce	M2.5*7	Senk-Schr, KS, Senkripp	0	R 43	57.60.1472		4K7	MF, 1%, 0204, E24
0	MP 16	49.02.0504	1 pce	4TE	Frontplatten-Griff	0	R 44	57.60.1472		4K7	MF, 1%, 0204, E24
0	MP 17	21.53.0279	2 pcs		Z - SCHR. IS , ZN , M2.5 * 6	0	R 45	57.60.1472		4K7	MF, 1%, 0204, E24
0	MP 18	21.53.0284	1 pce		Z - SCHR. IS , ZN , M2.5 * 16	1	R 46	57.60.1562		5K6	MF, 1%, 0204, E24
0	MP 19	28.99.0119	2 pcs		ROHRNIETE D 2.5*0.15* 9	1	R 47	57.60.1562		5K6	MF, 1%, 0204, E24



D19m C4 DA Board 24 Bit I.940.570.21

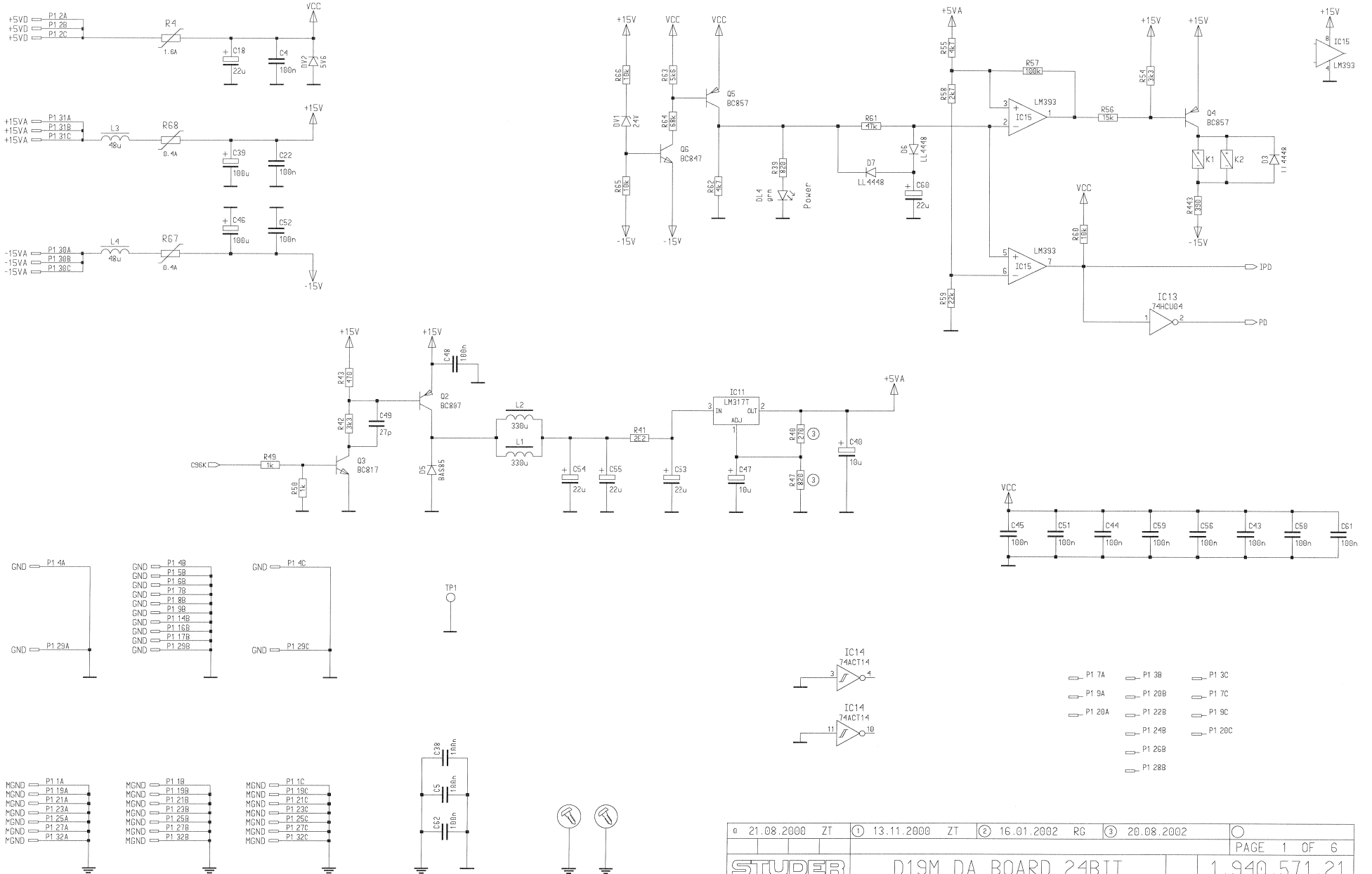
Idx.	Pos.	Part No.	Qty.	Type/Val.	Description
0	R 210	57.60.1100		10R	MF, 1%, 0204, E24
0	R 211	57.60.1103		10K	MF, 1%, 0204, E24
0	RA 1	58.05.1502		5k	10%, 0.5W, Cermet
0	RA 2	58.05.1502		5k	10%, 0.5W, Cermet
0	RA 3	58.05.1502		5k	10%, 0.5W, Cermet
0	RA 4	58.05.1502		5k	10%, 0.5W, Cermet
0	RA 5	58.05.1201		200R	10%, 0.5W, Cermet
0	RA 6	58.05.1201		200R	10%, 0.5W, Cermet
0	RA 7	58.05.1201		200R	10%, 0.5W, Cermet
0	RA 8	58.05.1201		200R	10%, 0.5W, Cermet
0	RA 9	58.05.1202		2k	10%, 0.5W, Cermet
0	RA 10	58.05.1202		2k	10%, 0.5W, Cermet
0	RA 11	58.05.1202		2k	10%, 0.5W, Cermet
0	RA 12	58.05.1202		2k	10%, 0.5W, Cermet
0	T 1	1.022.275.00			TRIFILARTRAF0 OUTPUT
0	T 2	1.022.275.00			TRIFILARTRAF0 OUTPUT
0	T 3	1.022.275.00			TRIFILARTRAF0 OUTPUT
0	T 4	1.022.275.00			TRIFILARTRAF0 OUTPUT
0	T 5	1.022.632.00		1:1	DI/DO TRANSFORMER
0	T 6	1.022.632.00		1:1	DI/DO TRANSFORMER
0	T 7	1.022.632.00		1:1	DI/DO TRANSFORMER
0	TP 1	54.02.0320		1p	Flatpin, 2.8*0.8mm
0	XDL 1	50.20.2501		Spacer	LED-Sockel
0	XDL 2	50.20.2501		Spacer	LED-Sockel
0	XDL 3	50.20.2501		Spacer	LED-Sockel
0	XDL 4	50.20.2501		Spacer	LED-Sockel
0	XIC 11	53.03.0166		8p	DIL 0.3", löt, gerade
0	XIC 12	53.03.0166		8p	DIL 0.3", löt, gerade
0	XIC 21	53.03.0166		8p	DIL 0.3", löt, gerade
0	XIC 22	53.03.0166		8p	DIL 0.3", löt, gerade
0	XIC 31	53.03.0166		8p	DIL 0.3", löt, gerade
0	XIC 32	53.03.0166		8p	DIL 0.3", löt, gerade
0	XIC 41	53.03.0166		8p	DIL 0.3", löt, gerade
0	XIC 42	53.03.0166		8p	DIL 0.3", löt, gerade
0	XIC 48	53.03.2284		XIC PLCC84	XIC PLCC 84 PIN

End of List

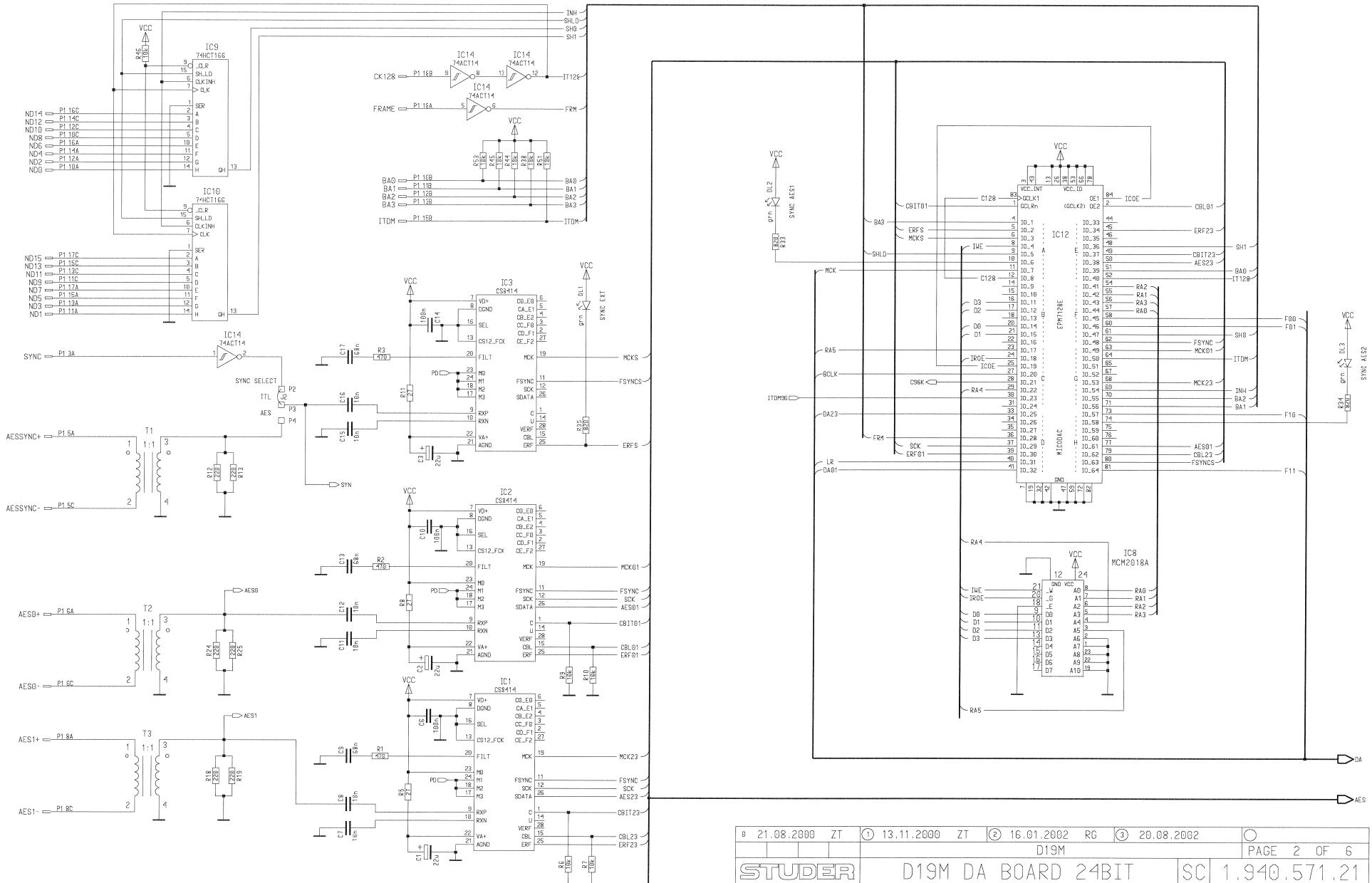
Comments

Wertanpassung von R46, R47, R48 und R49

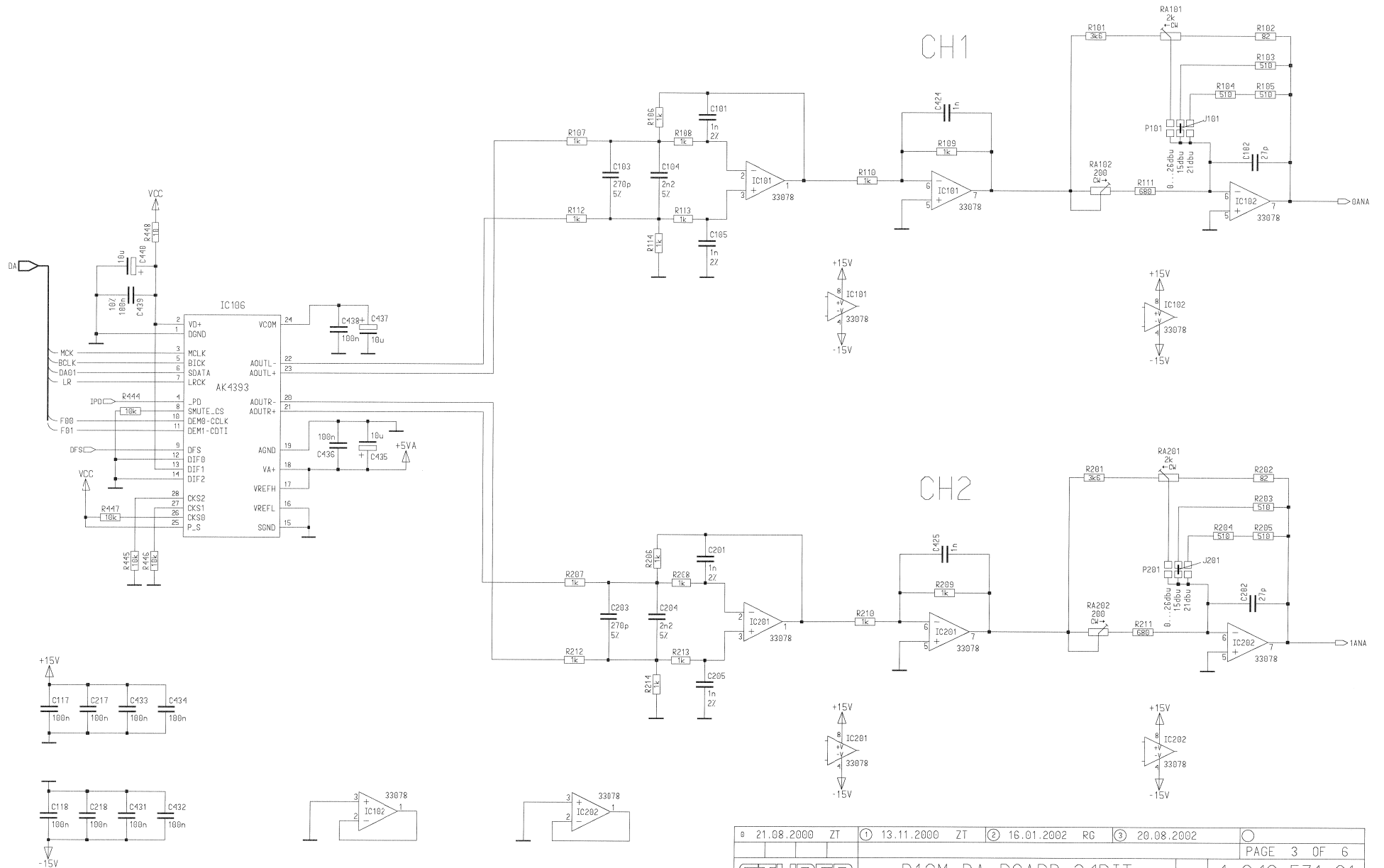
C4DA/24/96, 24 Bit D/A 1.940.571.21 (3)



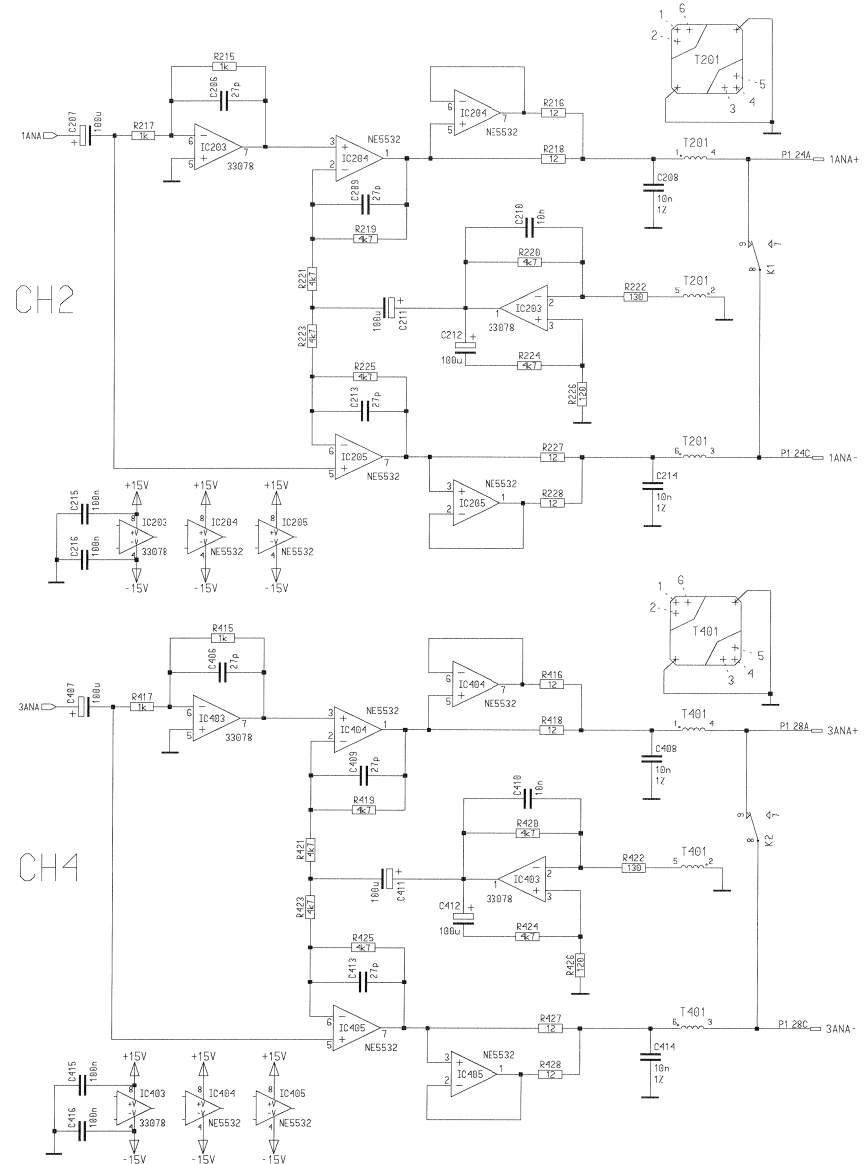
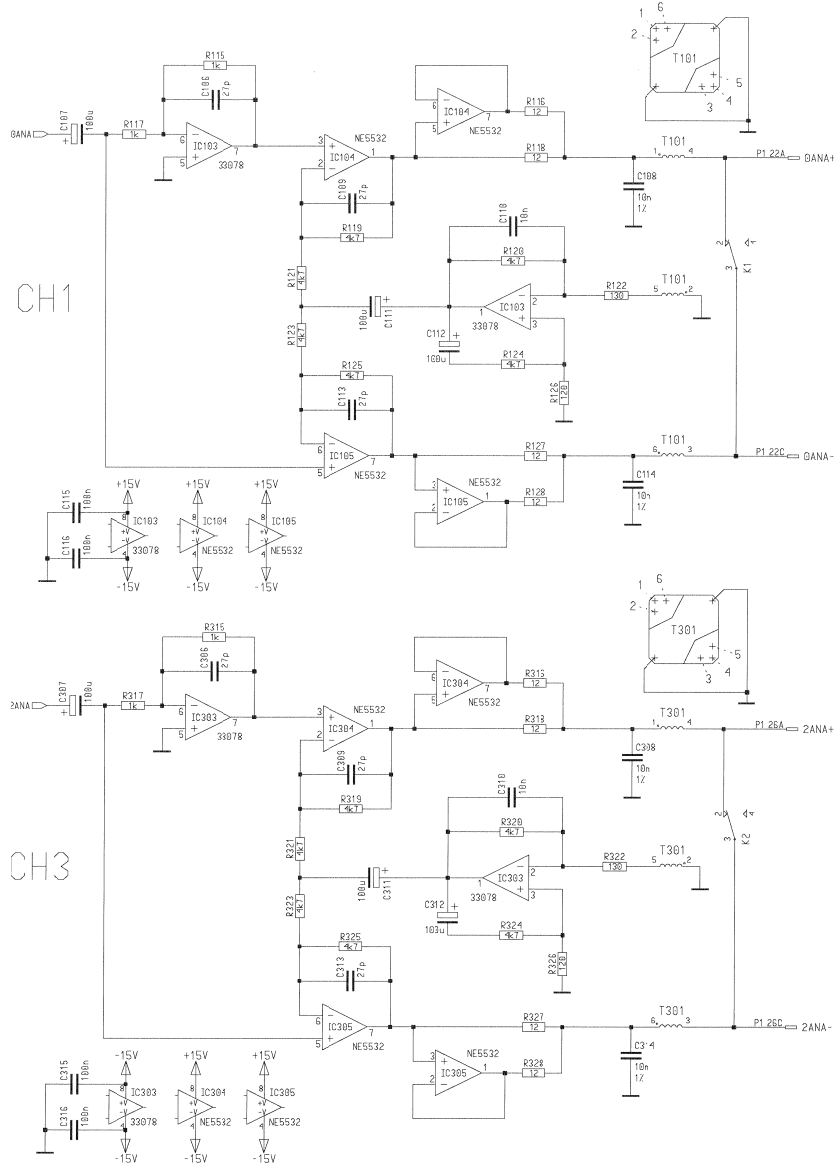
C4DA/24/96, 24 Bit D/A 1.940.571.21 (3)



C4DA/24/96, 24 Bit D/A 1.940.571.21 (3)

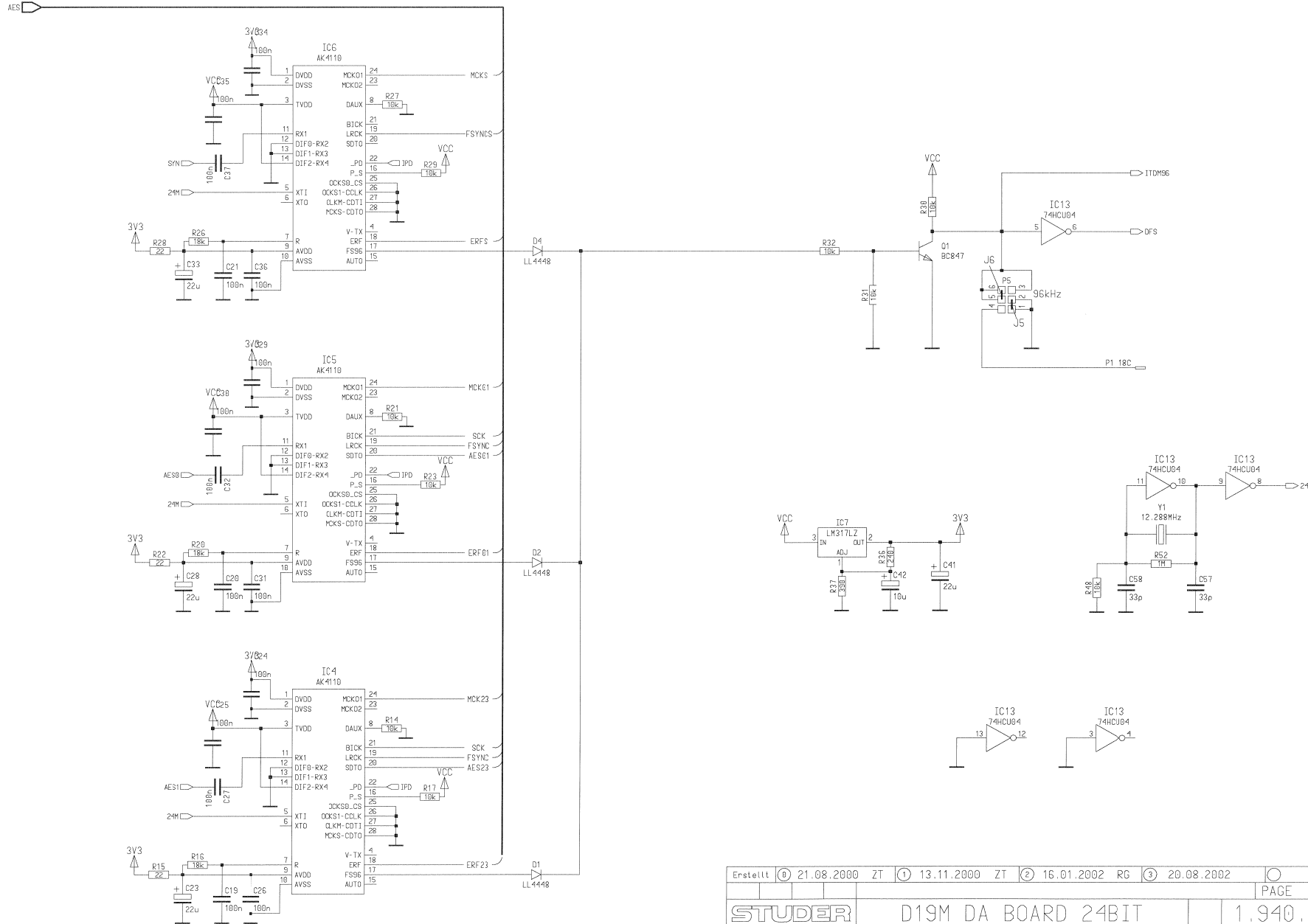


C4DA/24/96, 24 Bit D/A 1.940.571.21 (3)



01	21.08.2000	ZT	02	13.11.2000	ZT	03	15.01.2002	RG	04	20.08.2002	
										PAGE 5 OF 6	
STUDER		D19M DA BOARD 24BIT						1.940.571.21			

C4DA/24/96, 24 Bit D/A 1.940.571.21 (3)



C4DA/24/96, 24 Bit D/A 1.940.571.21 (4)

Idx. Pos.	Part No.	Qty.	Type/Val.	Description	Idx. Pos.	Part No.	Qty.	Type/Val.	Description
0 C 1	59.68.0067	1 pce	22u	EL 16V, 5.0*5.7	0 C 208	59.05.1103	1 pce	10n	PP, 1%, 63V
0 C 2	59.68.0067	1 pce	22u	EL 16V, 5.0*5.7	0 C 209	59.60.2235	1 pce	27p	CER 50V, 5%, COG, 0603
0 C 3	59.68.0067	1 pce	22u	EL 16V, 5.0*5.7	0 C 210	59.60.3325	1 pce	10n	CER 50V, 10%, X7R, 0805
0 C 4	59.60.3337	1 pce	100n	CER 50V, 10%, X7R, 0805	0 C 211	59.68.0029	1 pce	100u	EL 6V, 6.3*5.7
0 C 5	59.60.3337	1 pce	100n	CER 50V, 10%, X7R, 0805	0 C 212	59.68.0029	1 pce	100u	EL 6V, 6.3*5.7
0 C 6	59.60.3337	1 pce	100n	CER 50V, 10%, X7R, 0805	0 C 213	59.60.2235	1 pce	27p	CER 50V, 5%, COG, 0603
0 C 7	59.60.3325	1 pce	10n	CER 50V, 10%, X7R, 0805	0 C 214	59.05.1103	1 pce	10n	PP, 1%, 63V
0 C 8	59.60.3325	1 pce	10n	CER 50V, 10%, X7R, 0805	0 C 215	59.60.3337	1 pce	100n	CER 50V, 10%, X7R, 0805
0 C 9	59.60.3335	1 pce	68n	CER 50V, 10%, X7R, 0805	0 C 216	59.60.3337	1 pce	100n	CER 50V, 10%, X7R, 0805
0 C 10	59.60.3337	1 pce	100n	CER 50V, 10%, X7R, 0805	0 C 217	not used	1 pce	100n	PETP, 63V, 10%, RM5
0 C 11	59.60.3325	1 pce	10n	CER 50V, 10%, X7R, 0805	0 C 218	not used	1 pce	100n	PETP, 63V, 10%, RM5
0 C 12	59.60.3325	1 pce	10n	CER 50V, 10%, X7R, 0805	0 C 301	59.63.1113	1 pce	1n0	PPS 50V, 2%, 0805
0 C 13	59.60.3335	1 pce	68n	CER 50V, 10%, X7R, 0805	0 C 302	59.60.2235	1 pce	27p	CER 50V, 5%, COG, 0603
0 C 14	59.60.3337	1 pce	100n	CER 50V, 10%, X7R, 0805	0 C 303	59.60.2359	1 pce	270p	CER 50V, 5%, COG, 0805
0 C 15	59.60.3325	1 pce	10n	CER 50V, 10%, X7R, 0805	0 C 304	59.63.0105	1 pce	2n2	PEN 50V, 5%, 1206
0 C 16	59.60.3325	1 pce	10n	CER 50V, 10%, X7R, 0805	0 C 305	59.63.1113	1 pce	1n0	PPS 50V, 2%, 0805
0 C 17	59.60.3335	1 pce	68n	CER 50V, 10%, X7R, 0805	0 C 306	59.60.2235	1 pce	27p	CER 50V, 5%, COG, 0603
0 C 18	59.68.0067	1 pce	22u	EL 16V, 5.0*5.7	0 C 307	59.68.0029	1 pce	100u	EL 6V, 6.3*5.7
0 C 19	not used	1 pce	100n	CER 50V, 10%, X7R, 0805	0 C 308	59.05.1103	1 pce	10n	PP, 1%, 63V
0 C 20	not used	1 pce	100n	CER 50V, 10%, X7R, 0805	0 C 309	59.60.2235	1 pce	27p	CER 50V, 5%, COG, 0603
0 C 21	not used	1 pce	100n	CER 50V, 10%, X7R, 0805	0 C 310	59.60.3325	1 pce	10n	CER 50V, 10%, X7R, 0805
0 C 22	59.60.3337	1 pce	100n	CER 50V, 10%, X7R, 0805	0 C 311	59.68.0029	1 pce	100u	EL 6V, 6.3*5.7
0 C 23	not used	1 pce	22u	EL 16V, 5.0*5.7	0 C 312	59.68.0029	1 pce	100u	EL 6V, 6.3*5.7
0 C 24	not used	1 pce	100n	CER 50V, 10%, X7R, 0805	0 C 313	59.60.2235	1 pce	27p	CER 50V, 5%, COG, 0603
0 C 25	not used	1 pce	100n	CER 50V, 10%, X7R, 0805	0 C 314	59.05.1103	1 pce	10n	PP, 1%, 63V
0 C 28	not used	1 pce	100n	CER 50V, 10%, X7R, 0805	0 C 315	59.60.3337	1 pce	100n	CER 50V, 10%, X7R, 0805
0 C 27	not used	1 pce	100n	CER 50V, 10%, X7R, 0805	0 C 316	59.60.3337	1 pce	100n	CER 50V, 10%, X7R, 0805
0 C 28	not used	1 pce	22u	EL 16V, 5.0*5.7	0 C 317	not used	1 pce	100n	PETP, 63V, 10%, RM5
0 C 29	not used	1 pce	100n	CER 50V, 10%, X7R, 0805	0 C 318	not used	1 pce	100n	PETP, 63V, 10%, RM5
0 C 30	not used	1 pce	100n	CER 50V, 10%, X7R, 0805	0 C 320	59.68.0065	1 pce	10u	EL 16V, 4.0*5.7
0 C 31	not used	1 pce	100n	CER 50V, 10%, X7R, 0805	0 C 321	59.68.0065	1 pce	10u	EL 16V, 4.0*5.7
0 C 32	not used	1 pce	100n	CER 50V, 10%, X7R, 0805	0 C 322	59.60.3337	1 pce	100n	CER 50V, 10%, X7R, 0805
0 C 33	not used	1 pce	22u	EL 16V, 5.0*5.7	0 C 323	59.60.3337	1 pce	100n	CER 50V, 10%, X7R, 0805
0 C 34	not used	1 pce	100n	CER 50V, 10%, X7R, 0805	0 C 324	59.60.3337	1 pce	100n	CER 50V, 10%, X7R, 0805
0 C 35	not used	1 pce	100n	CER 50V, 10%, X7R, 0805	0 C 325	59.68.0065	1 pce	10u	EL 16V, 4.0*5.7
0 C 36	not used	1 pce	100n	CER 50V, 10%, X7R, 0805	0 C 401	59.63.1113	1 pce	1n0	PPS 50V, 2%, 0805
0 C 37	not used	1 pce	100n	CER 50V, 10%, X7R, 0805	0 C 402	59.60.2235	1 pce	27p	CER 50V, 5%, COG, 0603
0 C 38	59.60.3337	1 pce	100n	CER 50V, 10%, X7R, 0805	0 C 403	59.60.2359	1 pce	270p	CER 50V, 5%, COG, 0805
0 C 39	59.68.0115	1 pce	100u	EL 35V, 8.0*10.7	0 C 404	59.63.0105	1 pce	2n2	PEN 50V, 5%, 1206
0 C 40	59.68.0065	1 pce	10u	EL 16V, 4.0*5.7	0 C 405	59.63.1113	1 pce	1n0	PPS 50V, 2%, 0805
0 C 41	not used	1 pce	22u	EL 16V, 5.0*5.7	0 C 406	59.60.2235	1 pce	27p	CER 50V, 5%, COG, 0603
0 C 42	not used	1 pce	10u	EL 16V, 4.0*5.7	0 C 407	59.68.0029	1 pce	100u	EL 6V, 6.3*5.7
0 C 43	59.60.3337	1 pce	100n	CER 50V, 10%, X7R, 0805	0 C 408	59.05.1103	1 pce	10n	PP, 1%, 63V
0 C 44	59.60.3337	1 pce	100n	CER 50V, 10%, X7R, 0805	0 C 409	59.60.2235	1 pce	27p	CER 50V, 5%, COG, 0603
0 C 45	59.60.3337	1 pce	100n	CER 50V, 10%, X7R, 0805	0 C 410	59.60.3325	1 pce	10n	CER 50V, 10%, X7R, 0805
0 C 46	59.68.0115	1 pce	100u	EL 35V, 8.0*10.7	0 C 411	59.68.0029	1 pce	100u	EL 6V, 6.3*5.7
0 C 47	59.68.0065	1 pce	10u	EL 16V, 4.0*5.7	0 C 412	59.68.0029	1 pce	100u	EL 6V, 6.3*5.7
0 C 48	59.60.3337	1 pce	100n	CER 50V, 10%, X7R, 0805	0 C 413	59.60.2235	1 pce	27p	CER 50V, 5%, COG, 0603
0 C 49	59.60.2235	1 pce	27p	CER 50V, 5%, COG, 0603	0 C 414	59.05.1103	1 pce	10n	PP, 1%, 63V
0 C 50	59.60.3337	1 pce	100n	CER 50V, 10%, X7R, 0805	0 C 415	59.60.3337	1 pce	100n	CER 50V, 10%, X7R, 0805
0 C 51	59.60.3337	1 pce	100n	CER 50V, 10%, X7R, 0805	0 C 416	59.60.3337	1 pce	100n	CER 50V, 10%, X7R, 0805
0 C 52	59.60.3337	1 pce	100n	CER 50V, 10%, X7R, 0805	0 C 417	not used	1 pce	100n	PETP, 63V, 10%, RM5
0 C 53	59.68.0067	1 pce	22u	EL 16V, 5.0*5.7	0 C 418	not used	1 pce	100n	PETP, 63V, 10%, RM5
0 C 54	59.68.0067	1 pce	22u	EL 16V, 5.0*5.7	0 C 423	59.60.2373	1 pce	1n0	CER 50V, 5%, COG, 0805
0 C 55	59.68.0067	1 pce	22u	EL 16V, 5.0*5.7	0 C 424	59.60.2373	1 pce	1n0	CER 50V, 5%, COG, 0805
0 C 56	59.60.3337	1 pce	100n	CER 50V, 10%, X7R, 0805	0 C 425	59.60.2373	1 pce	1n0	CER 50V, 5%, COG, 0805
0 C 57	not used	1 pce	33p	CER 50V, 5%, COG, 0603	0 C 426	59.60.2373	1 pce	1n0	CER 50V, 5%, COG, 0805
0 C 58	not used	1 pce	33p	CER 50V, 5%, COG, 0603	0 C 427	59.60.3337	1 pce	100n	CER 50V, 10%, X7R, 0805
0 C 59	59.60.3337	1 pce	100n	CER 50V, 10%, X7R, 0805	0 C 428	59.60.3337	1 pce	100n	CER 50V, 10%, X7R, 0805
0 C 60	59.68.0067	1 pce	22u	EL 16V, 5.0*5.7	0 C 429	59.60.3337	1 pce	100n	CER 50V, 10%, X7R, 0805
0 C 61	59.60.3337	1 pce	100n	CER 50V, 10%, X7R, 0805	0 C 430	59.60.3337	1 pce	100n	CER 50V, 10%, X7R, 0805
0 C 62	59.60.3337	1 pce	100n	CER 50V, 10%, X7R, 0805	0 C 431	59.60.3337	1 pce	100n	CER 50V, 10%, X7R, 0805
0 C 101	59.63.1113	1 pce	1n0	PPS 50V, 2%, 0805	0 C 432	59.60.3337	1 pce	100n	CER 50V, 10%, X7R, 0805
0 C 102	59.60.2235	1 pce	27p	CER 50V, 5%, COG, 0603	0 C 433	59.60.3337	1 pce	100n	CER 50V, 10%, X7R, 0805
0 C 103	59.60.2359	1 pce	270p	CER 50V, 5%, COG, 0805	0 C 434	59.60.3337	1 pce	100n	CER 50V, 10%, X7R, 0805
0 C 104	59.63.0105	1 pce	2n2	PEN 50V, 5%, 1206	0 C 435	59.68.0065	1 pce	10u	EL 16V, 4.0*5.7
0 C 105	59.63.1113	1 pce	1n0	PPS 50V, 2%, 0805	0 C 436	59.60.3337	1 pce	100n	CER 50V, 10%, X7R, 0805
0 C 106	59.60.2235	1 pce	27p	CER 50V, 5%, COG, 0603	0 C 437	59.68.0065	1 pce	10u	EL 16V, 4.0*5.7
0 C 107	59.68.0029	1 pce	100u	EL 6V, 6.3*5.7	0 C 438	59.60.3337	1 pce	100n	CER 50V, 10%, X7R, 0805
0 C 108	59.05.1103	1 pce	10n	PP, 1%, 63V	0 C 439	59.60.3337	1 pce	100n	CER 50V, 10%, X7R, 0805
0 C 109	59.60.2235	1 pce	27p	CER 50V, 5%, COG, 0603	0 C 440	59.68.0065	1 pce	10u	EL 16V, 4.0*5.7
0 C 110	59.60.3325	1 pce	10n	CER 50V, 10%, X7R, 0805	0 D 1	not used	1 pce	4448	200mA 75V 4ns SOD 80
0 C 111	59.68.0029	1 pce	100u	EL 6V, 6.3*5.7	0 D 2	not used	1 pce	4448	200mA 75V 4ns SOD 80
0 C 112	59.68.0029	1 pce	100u	EL 6V, 6.3*5.7	0 D 3	50.60.8001	1 pce	4448	200mA 75V 4ns SOD 80
0 C 113	59.60.2235	1 pce	27p	CER 50V, 5%, COG, 0603	0 D 4	not used	1 pce	4448	200mA 75V 4ns SOD 80
0 C 114	59.05.1103	1 pce	10n	PP, 1%, 63V	0 D 5	50.60.8101	1 pce	BAS85	200mA 30V Schottky SOD 80
0 C 115	59.60.3337	1 pce	100n	CER 50V, 10%, X7R, 0805	0 D 6	50.60.8001	1 pce	4448	200mA 75V 4ns SOD 80
0 C 116	59.60.3337	1 pce	100n	CER 50V, 10%, X7R, 0805	0 D 7	50.60.8001	1 pce	4448	200mA 75V 4ns SOD 80
0 C 117	not used	1 pce	100n	PETP, 63V, 10%, RM5	0 DL 1	50.04.2202	1 pce	HLMP1790	DL HLMP - 1790 GN
0 C 118	not used	1 pce	100n	PETP, 63V, 10%, RM5	0 DL 2	50.04.2202	1 pce	HLMP1790	DL HLMP - 1790 GN
0 C 201	59.63.1113	1 pce	1n0	PPS 50V, 2%, 0805	0 DL 3	50.04.2202	1 pce	HLMP1790	DL HLMP - 1790 GN
0 C 202	59.60.2235	1 pce	27p	CER 50V, 5%, COG, 0603	0 DL 4	50.04.2202	1 pce	HLMP1790	DL HLMP - 1790 GN
0 C 203	59.60.2359	1 pce	270p	CER 50V, 5%, COG, 0805	0 DV 1	50.60.9026	1 pce	24V	5%, 0.2W, SOT 23
0 C 204	59.63.0105	1 pce	2n2	PEN 50V, 5%, 1206	2 DV 2	50.04.1108	1 pce	5V6	Zener, 5%, 0.5W, DO-35
0 C 205	59.63.1113	1 pce	1n0	PPS 50V, 2%, 0805	0 IC 1	50.62.0915	1 pce	CS8414	Digital Audio Receiver 96kHz
0 C 206	59.60.2235	1 pce	27p	CER 50V, 5%, COG, 0603	0 IC 2	50.62.0915	1 pce	CS8414	Digital Audio Receiver 96kHz
0 C 207	59.68.0029	1 pce	100u	EL 6V, 6.3*5.7	0 IC 3	50.62.0915	1 pce	CS8414	Digital Audio Receiver 96kHz

C4DA/24/96, 24 Bit D/A 1.940.571.21 (4)

Idx. Pos.	Part No.	Qty.	Type/Val.	Description	Idx. Pos.	Part No.	Qty.	Type/Val.	Description
0	IC 4	not used	not used	not used	0	R 8	57.60.1270	1 pce	27R MF, 1%, 0204, E24
0	IC 5	not used	not used	not used	0	R 9	57.60.1103	1 pce	10K MF, 1%, 0204, E24
0	IC 6	not used	not used	not used	0	R 10	57.60.1103	1 pce	10K MF, 1%, 0204, E24
0	IC 7	not used	1 pce	LM317L Series regulator 100mA ...+37V	0	R 11	57.60.1270	1 pce	27R MF, 1%, 0204, E24
0	IC 8	50.14.1009	1 pce	7C128A SRAM 2K*8 35ns	0	R 12	57.60.1221	1 pce	220R MF, 1%, 0204, E24
0	IC 9	50.62.3166	1 pce	74HCT166 8bit parallel in/serial out	0	R 13	57.60.1221	1 pce	220R MF, 1%, 0204, E24
0	IC 10	50.62.3166	1 pce	74HCT166 8bit parallel in/serial out	0	R 14	not used	1 pce	10K MF, 1%, 0204, E24
0	IC 11	50.10.0104	1 pce	LM317SP Series regulator 1.5A ...+37V	0	R 15	not used	1 pce	22R MF, 1%, 0204, E24
0	IC 12	1.940.971.20	1 pce	SW 571 SICODAC (50.63.4205)	0	R 16	not used	1 pce	18K MF, 1%, 0204, E24
0	IC 13	50.62.1904	1 pce	74HCU04 Hex inverter unbuffered	0	R 17	not used	1 pce	10K MF, 1%, 0204, E24
0	IC 14	50.62.6014	1 pce	74ACT 14 Hex inverting Schmitt trigger	0	R 18	57.60.1221	1 pce	220R MF, 1%, 0204, E24
0	IC 15	50.61.9001	1 pce	LM393 Dual voltage comp. SO 8	0	R 19	57.60.1221	1 pce	220R MF, 1%, 0204, E24
0	IC 101	50.61.0204	1 pce	MC33078 Dual Op-Amp low noise	0	R 20	not used	1 pce	18K MF, 1%, 0204, E24
0	IC 102	50.61.0204	1 pce	MC33078 Dual Op-Amp low noise	0	R 21	not used	1 pce	10K MF, 1%, 0204, E24
0	IC 103	50.61.0204	1 pce	MC33078 Dual Op-Amp low noise	0	R 22	not used	1 pce	22R MF, 1%, 0204, E24
0	IC 104	50.09.0106	1 pce	5532A Dual Op-Amp,low noise	0	R 23	not used	1 pce	10K MF, 1%, 0204, E24
0	IC 105	50.09.0106	1 pce	5532A Dual Op-Amp,low noise	0	R 24	57.60.1221	1 pce	220R MF, 1%, 0204, E24
0	IC 106	50.61.8005	1 pce	AK4393 D/A Converter 24bit DS SOP28	0	R 25	57.60.1221	1 pce	220R MF, 1%, 0204, E24
0	IC 201	50.61.0204	1 pce	MC33078 Dual Op-Amp low noise	0	R 26	not used	1 pce	18K MF, 1%, 0204, E24
0	IC 202	50.61.0204	1 pce	MC33078 Dual Op-Amp low noise	0	R 27	not used	1 pce	10K MF, 1%, 0204, E24
0	IC 203	50.61.0204	1 pce	MC33078 Dual Op-Amp low noise	0	R 28	not used	1 pce	22R MF, 1%, 0204, E24
0	IC 204	50.09.0106	1 pce	5532A Dual Op-Amp,low noise	0	R 29	not used	1 pce	10K MF, 1%, 0204, E24
0	IC 205	50.09.0106	1 pce	5532A Dual Op-Amp,low noise	0	R 30	57.60.1103	1 pce	10K MF, 1%, 0204, E24
0	IC 301	50.61.0204	1 pce	MC33078 Dual Op-Amp low noise	0	R 31	not used	1 pce	10K MF, 1%, 0204, E24
0	IC 302	50.61.0204	1 pce	MC33078 Dual Op-Amp low noise	0	R 32	not used	1 pce	10K MF, 1%, 0204, E24
0	IC 303	50.61.0204	1 pce	MC33078 Dual Op-Amp low noise	0	R 33	57.60.1821	1 pce	820R MF, 1%, 0204, E24
0	IC 304	50.09.0106	1 pce	5532A Dual Op-Amp,low noise	0	R 34	57.60.1821	1 pce	820R MF, 1%, 0204, E24
0	IC 305	50.09.0106	1 pce	5532A Dual Op-Amp,low noise	0	R 35	57.60.1821	1 pce	820R MF, 1%, 0204, E24
0	IC 306	50.61.8005	1 pce	AK4393 D/A Converter 24bit DS SOP28	0	R 36	not used	1 pce	240R MF, 1%, 0204, E24
0	IC 401	50.61.0204	1 pce	MC33078 Dual Op-Amp low noise	0	R 37	not used	1 pce	390R MF, 1%, 0204, E24
0	IC 402	50.61.0204	1 pce	MC33078 Dual Op-Amp low noise	0	R 38	57.60.1103	1 pce	10K MF, 1%, 0204, E24
0	IC 403	50.61.0204	1 pce	MC33078 Dual Op-Amp low noise	0	R 39	57.60.1821	1 pce	820R MF, 1%, 0204, E24
0	IC 404	50.09.0106	1 pce	5532A Dual Op-Amp,low noise	4	R 40	57.60.1271	1 pce	270R MF, 1%, 0204, E24
0	IC 405	50.09.0106	1 pce	5532A Dual Op-Amp,low noise	0	R 41	57.60.1229	1 pce	2R2 MF, 1%, 0204, E24
0	J 2	54.01.0021	1 pce	Jumper 0.63*0.63mm, Au	0	R 42	57.60.1332	1 pce	3K3 MF, 1%, 0204, E24
0	J 5	54.01.0021	1 pce	Jumper 0.63*0.63mm, Au	0	R 43	57.60.1471	1 pce	470R MF, 1%, 0204, E24
0	J 6	54.01.0021	1 pce	Jumper 0.63*0.63mm, Au	0	R 44	57.60.1103	1 pce	10K MF, 1%, 0204, E24
0	J 101	54.01.0021	1 pce	Jumper 0.63*0.63mm, Au	0	R 45	57.60.1103	1 pce	10K MF, 1%, 0204, E24
0	J 201	54.01.0021	1 pce	Jumper 0.63*0.63mm, Au	0	R 46	57.60.1103	1 pce	10K MF, 1%, 0204, E24
0	J 301	54.01.0021	1 pce	Jumper 0.63*0.63mm, Au	4	R 47	57.60.1821	1 pce	820R MF, 1%, 0204, E24
0	J 401	54.01.0021	1 pce	Jumper 0.63*0.63mm, Au	0	R 48	57.60.1103	1 pce	10K MF, 1%, 0204, E24
0	K 1	56.04.0197	1 pce	2*u 24V 125V 2A Ag/Au	3	R 49	57.60.1102	1 pce	1K0 MF, 1%, 0204, E24
0	K 2	56.04.0197	1 pce	2*u 24V 125V 2A Ag/Au	0	R 50	57.60.1102	1 pce	1K0 MF, 1%, 0204, E24
0	L 1	62.02.3331	1 pce	330uH 10%, radial RM 5	0	R 51	57.60.1103	1 pce	10K MF, 1%, 0204, E24
0	L 2	62.02.3331	1 pce	330uH 10%, radial RM 5	0	R 52	not used	1 pce	1M MF, 1%, 0204, E24
0	L 3	62.03.0010	1 pce	48uH 2A Toroid Chocke	0	R 53	57.60.1103	1 pce	10K MF, 1%, 0204, E24
0	L 4	62.03.0010	1 pce	48uH 2A Toroid Chocke	0	R 54	57.60.1332	1 pce	3K3 MF, 1%, 0204, E24
1	MP 1	1.940.571.12	1 pce	D19M DA BOARD PCB	0	R 55	57.60.1472	1 pce	4K7 MF, 1%, 0204, E24
0	MP 2	1.940.571.04	1 pce	TYPENSCHILD	0	R 56	57.60.1153	1 pce	15K MF, 1%, 0204, E24
0	MP 3	43.01.0108	1 pce	Label ESE-WARNNSCHILD	0	R 57	57.60.1104	1 pce	100K MF, 1%, 0204, E24
0	MP 4	1.101.001.20	1 pce	Label TEXT-ETIK. 5*20 HARDWARE -20	0	R 58	57.60.1272	1 pce	2K7 MF, 1%, 0204, E24
0	MP 5	not used	1 pce	QUARZ - ISOLIERPLATTE	0	R 59	57.60.1223	1 pce	22K MF, 1%, 0204, E24
0	MP 6	50.20.3004	1 pce	Kühlkörper, TO 220, horizontal	0	R 60	57.60.1103	1 pce	10K MF, 1%, 0204, E24
0	MP 10	1.940.570.01	1 pce	FRONTPLATTE	0	R 61	57.60.1473	1 pce	47K MF, 1%, 0204, E24
0	MP 11	1.940.600.04	1 pce	GRIFFEINLAGE 4TE	0	R 62	57.60.1472	1 pce	4K7 MF, 1%, 0204, E24
0	MP 12	49.02.0520	2 pcs	M2.5*12 Rändelschraube (Rack)	0	R 63	57.60.1562	1 pce	5K6 MF, 1%, 0204, E24
0	MP 13	49.02.0521	2 pcs	M2.5*16 Metall-Buchse (Rack)	0	R 64	57.60.1683	1 pce	68K MF, 1%, 0204, E24
0	MP 14	49.02.0522	2 pcs	Kartenhalter mit Z-Schr	0	R 65	57.60.1103	1 pce	10K MF, 1%, 0204, E24
0	MP 15	49.02.0523	1 pce	M2.5*7 Senk-Schr, KS, Senkripp	0	R 66	57.60.1103	1 pce	10K MF, 1%, 0204, E24
0	MP 16	49.02.0504	1 pce	4TE Frontplatten-Griff	0	R 67	57.92.7019	1 pce	0.4A PTC 60V
0	MP 17	not used	2 pcs	M2.5*6 Z-Schraube Inbus Zn gb chr	0	R 68	57.92.7019	1 pce	0.4A PTC 60V
0	MP 18	21.53.0284	1 pce	Schraube ist in MP14 (49.02.0522 Kartenhalter) enthalten	0	R 101	57.60.1362	1 pce	3K6 MF, 1%, 0204, E24
0	MP 19	28.99.0119	2 pcs	M2.5*16 Z-Schraube Inbus Zn gb chr	0	R 102	57.60.1820	1 pce	82R MF, 1%, 0204, E24
4	MP 20	43.10.0112	1 pce	C ROHRNIETE D 2.5*0.15* 9	0	R 103	57.60.1511	1 pce	510R MF, 1%, 0204, E24
0	P 1	54.11.2009	1 pce	96p Revisions-Etikette 5mm h/blau	0	R 104	57.60.1511	1 pce	510R MF, 1%, 0204, E24
0	P 2	54.01.0020	1 pce	1p EU-R 3*32p	0	R 105	57.60.1511	1 pce	510R MF, 1%, 0204, E24
0	P 3	54.01.0020	1 pce	1p Pin, 1reihig, gerade	0	R 106	57.60.1102	1 pce	1K0 MF, 1%, 0204, E24
0	P 4	54.01.0020	1 pce	1p Pin, 1reihig, gerade	0	R 107	57.60.1102	1 pce	1K0 MF, 1%, 0204, E24
0	P 5	54.11.0136	1 pce	2*3p Pin, 1reihig, gerade	0	R 108	57.60.1102	1 pce	1K0 MF, 1%, 0204, E24
0	P 101	54.11.0136	1 pce	2*3p Pin 0.63*0.63, RM2.54	0	R 109	57.60.1102	1 pce	1K0 MF, 1%, 0204, E24
0	P 201	54.11.0136	1 pce	2*3p Pin 0.63*0.63, RM2.54	0	R 110	57.60.1102	1 pce	1K0 MF, 1%, 0204, E24
0	P 301	54.11.0136	1 pce	2*3p Pin 0.63*0.63, RM2.54	0	R 111	57.60.1681	1 pce	680R MF, 1%, 0204, E24
0	P 401	54.11.0136	1 pce	2*3p Pin 0.63*0.63, RM2.54	0	R 112	57.60.1102	1 pce	1K0 MF, 1%, 0204, E24
0	Q 1	not used	1 pce	BC847B NPN 45V 100mA SOT 23	0	R 113	57.60.1102	1 pce	1K0 MF, 1%, 0204, E24
0	Q 2	50.60.1050	1 pce	BC807-25 PNP 45V 800mA SOT 23	0	R 114	57.60.1102	1 pce	1K0 MF, 1%, 0204, E24
0	Q 3	50.60.0050	1 pce	BC817-25 NPN 45V 800mA SOT 23	0	R 115	57.60.1102	1 pce	1K0 MF, 1%, 0204, E24
0	Q 4	50.60.1001	1 pce	BC857B PNP 45V 100mA SOT 23	0	R 116	57.60.1120	1 pce	12R MF, 1%, 0204, E24
0	Q 5	50.60.1001	1 pce	BC857B PNP 45V 100mA SOT 23	0	R 117	57.60.1102	1 pce	1K0 MF, 1%, 0204, E24
0	Q 6	50.60.0001	1 pce	BC847B NPN 45V 100mA SOT 23	0	R 118	57.60.1120	1 pce	12R MF, 1%, 0204, E24
0	R 1	57.60.1471	1 pce	470R MF, 1%, 0204, E24	3	R 119	57.60.1472	1 pce	4K7 MF, 1%, 0204, E24
0	R 2	57.60.1471	1 pce	470R MF, 1%, 0204, E24	0	R 120	57.60.1472	1 pce	4K7 MF, 1%, 0204, E24
0	R 3	57.60.1471	1 pce	470R MF, 1%, 0204, E24	3	R 121	57.60.1472	1 pce	4K7 MF, 1%, 0204, E24
0	R 4	57.92.7053	1 pce	1.6A PTC 30V	0	R 122	57.60.1131	1 pce	130R MF, 1%, 0204, E24
0	R 5	57.60.1270	1 pce	27R MF, 1%, 0204, E24	3	R 123	57.60.1472	1 pce	4K7 MF, 1%, 0204, E24
0	R 6	57.60.1103	1 pce	10K MF, 1%, 0204, E24	0	R 124	57.60.1472	1 pce	4K7 MF, 1%, 0204, E24
0	R 7	57.60.1103	1 pce	10K MF, 1%, 0204, E24	3	R 125	57.60.1472	1 pce	4K7 MF, 1%, 0204, E24
					0	R 126	57.60.1121	1 pce	120R MF, 1%, 0204, E24

C4DA/24/96, 24 Bit D/A 1.940.571.21 (4)

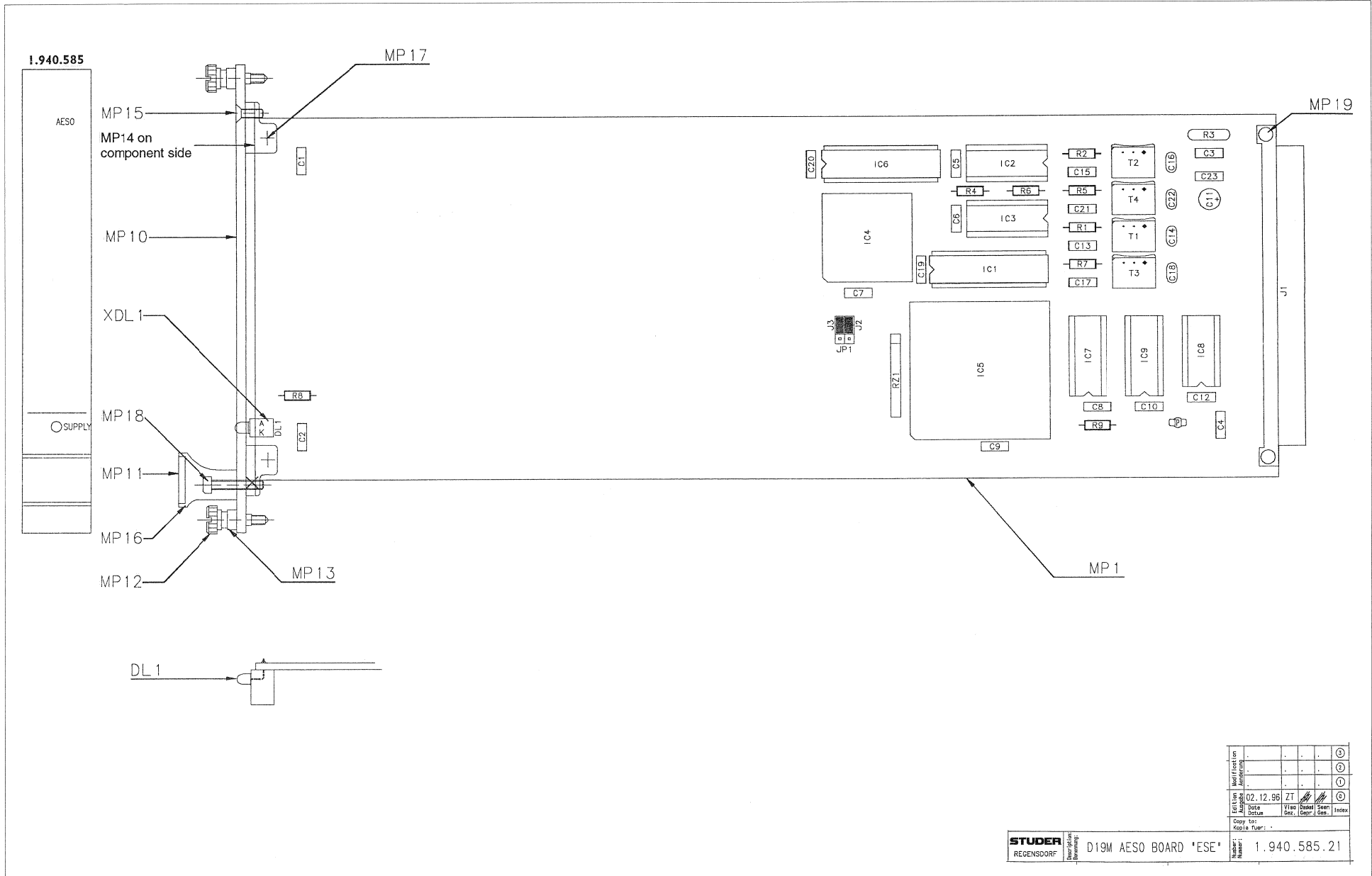
Idx.	Pos.	Part No.	Qty.	Type/Val.	Description	Idx.	Pos.	Part No.	Qty.	Type/Val.	Description
0	R 127	57.60.1120	1 pce	12R	MF, 1%, 0204, E24	3	R 425	57.60.1472	1 pce	4k7	MF, 1%, 0204, E24
0	R 128	57.60.1120	1 pce	12R	MF, 1%, 0204, E24	0	R 426	57.60.1121	1 pce	120R	MF, 1%, 0204, E24
0	R 201	57.60.1362	1 pce	3k6	MF, 1%, 0204, E24	0	R 427	57.60.1120	1 pce	12R	MF, 1%, 0204, E24
0	R 202	57.60.1820	1 pce	82R	MF, 1%, 0204, E24	0	R 428	57.60.1120	1 pce	12R	MF, 1%, 0204, E24
0	R 203	57.60.1511	1 pce	510R	MF, 1%, 0204, E24	0	R 443	57.60.1391	1 pce	390R	MF, 1%, 0204, E24
0	R 204	57.60.1511	1 pce	510R	MF, 1%, 0204, E24	0	R 444	57.60.1103	1 pce	10k	MF, 1%, 0204, E24
0	R 205	57.60.1511	1 pce	510R	MF, 1%, 0204, E24	0	R 445	57.60.1103	1 pce	10k	MF, 1%, 0204, E24
0	R 206	57.60.1102	1 pce	1k0	MF, 1%, 0204, E24	0	R 446	57.60.1103	1 pce	10k	MF, 1%, 0204, E24
0	R 207	57.60.1102	1 pce	1k0	MF, 1%, 0204, E24	0	R 447	57.60.1103	1 pce	10k	MF, 1%, 0204, E24
0	R 208	57.60.1102	1 pce	1k0	MF, 1%, 0204, E24	0	R 448	57.60.1100	1 pce	10R	MF, 1%, 0204, E24
0	R 209	57.60.1102	1 pce	1k0	MF, 1%, 0204, E24	0	RA 101	58.05.1202	1 pce	2k0	10%, 0.5W, Cermet
0	R 210	57.60.1102	1 pce	1k0	MF, 1%, 0204, E24	0	RA 102	58.05.1201	1 pce	200R	10%, 0.5W, Cermet
0	R 211	57.60.1681	1 pce	680R	MF, 1%, 0204, E24	0	RA 201	58.05.1202	1 pce	2k0	10%, 0.5W, Cermet
0	R 212	57.60.1102	1 pce	1k0	MF, 1%, 0204, E24	0	RA 202	58.05.1201	1 pce	200R	10%, 0.5W, Cermet
0	R 213	57.60.1102	1 pce	1k0	MF, 1%, 0204, E24	0	RA 301	58.05.1202	1 pce	2k0	10%, 0.5W, Cermet
0	R 214	57.60.1102	1 pce	1k0	MF, 1%, 0204, E24	0	RA 302	58.05.1201	1 pce	200R	10%, 0.5W, Cermet
0	R 215	57.60.1102	1 pce	1k0	MF, 1%, 0204, E24	0	RA 401	58.05.1202	1 pce	2k0	10%, 0.5W, Cermet
0	R 216	57.60.1120	1 pce	12R	MF, 1%, 0204, E24	0	RA 402	58.05.1201	1 pce	200R	10%, 0.5W, Cermet
0	R 217	57.60.1102	1 pce	1k0	MF, 1%, 0204, E24	0	T 1	1.022.632.00	1 pce	1:1	DI/DO TRANSFORMER
0	R 218	57.60.1120	1 pce	12R	MF, 1%, 0204, E24	0	T 2	1.022.632.00	1 pce	1:1	DI/DO TRANSFORMER
3	R 219	57.60.1472	1 pce	4k7	MF, 1%, 0204, E24	0	T 3	1.022.632.00	1 pce	1:1	DI/DO TRANSFORMER
0	R 220	57.60.1472	1 pce	4k7	MF, 1%, 0204, E24	0	T 101	1.022.275.00	1 pce	0	TRIFILARTRAFO OUTPUT
3	R 221	57.60.1472	1 pce	4k7	MF, 1%, 0204, E24	0	T 201	1.022.275.00	1 pce	0	TRIFILARTRAFO OUTPUT
0	R 222	57.60.1131	1 pce	130R	MF, 1%, 0204, E24	0	T 301	1.022.275.00	1 pce	0	TRIFILARTRAFO OUTPUT
3	R 223	57.60.1472	1 pce	4k7	MF, 1%, 0204, E24	0	T 401	1.022.275.00	1 pce	0	TRIFILARTRAFO OUTPUT
0	R 224	57.60.1472	1 pce	4k7	MF, 1%, 0204, E24	0	TP 1	54.02.0320	1 pce	1p	PCB-Flachst 2.8*0.8, gerade
3	R 225	57.60.1472	1 pce	4k7	MF, 1%, 0204, E24	0	XDL 1	50.20.2501	1 pce	Spacer	LED-Sockel
0	R 226	57.60.1121	1 pce	120R	MF, 1%, 0204, E24	0	XDL 2	50.20.2501	1 pce	Spacer	LED-Sockel
0	R 227	57.60.1120	1 pce	12R	MF, 1%, 0204, E24	0	XDL 3	50.20.2501	1 pce	Spacer	LED-Sockel
0	R 228	57.60.1120	1 pce	12R	MF, 1%, 0204, E24	0	XDL 4	50.20.2501	1 pce	Spacer	LED-Sockel
0	R 301	57.60.1362	1 pce	3k6	MF, 1%, 0204, E24	0	XIC 12	53.03.2284	1 pce	84p	PLCC-Socket
0	R 302	57.60.1820	1 pce	82R	MF, 1%, 0204, E24	0	XIC 10	53.03.0166	1 pce	8p	DIL 0.3", löt, gerade
0	R 303	57.60.1511	1 pce	510R	MF, 1%, 0204, E24	0	XIC 10	53.03.0166	1 pce	8p	DIL 0.3", löt, gerade
0	R 304	57.60.1511	1 pce	510R	MF, 1%, 0204, E24	0	XIC 20	53.03.0166	1 pce	8p	DIL 0.3", löt, gerade
0	R 305	57.60.1511	1 pce	510R	MF, 1%, 0204, E24	0	XIC 20	53.03.0166	1 pce	8p	DIL 0.3", löt, gerade
0	R 306	57.60.1102	1 pce	1k0	MF, 1%, 0204, E24	0	XIC 30	53.03.0166	1 pce	8p	DIL 0.3", löt, gerade
0	R 307	57.60.1102	1 pce	1k0	MF, 1%, 0204, E24	0	XIC 30	53.03.0166	1 pce	8p	DIL 0.3", löt, gerade
0	R 308	57.60.1102	1 pce	1k0	MF, 1%, 0204, E24	0	XIC 40	53.03.0166	1 pce	8p	DIL 0.3", löt, gerade
0	R 309	57.60.1102	1 pce	1k0	MF, 1%, 0204, E24	0	XIC 40	53.03.0166	1 pce	8p	DIL 0.3", löt, gerade
0	R 310	57.60.1102	1 pce	1k0	MF, 1%, 0204, E24	0	Y 1	not used	1 pce	12.288MHz	XTAL. HC 49/U
0	R 311	57.60.1681	1 pce	680R	MF, 1%, 0204, E24						
0	R 312	57.60.1102	1 pce	1k0	MF, 1%, 0204, E24						
0	R 313	57.60.1102	1 pce	1k0	MF, 1%, 0204, E24						
0	R 314	57.60.1102	1 pce	1k0	MF, 1%, 0204, E24						
0	R 315	57.60.1102	1 pce	1k0	MF, 1%, 0204, E24						
0	R 316	57.60.1120	1 pce	12R	MF, 1%, 0204, E24						
0	R 317	57.60.1102	1 pce	1k0	MF, 1%, 0204, E24						
0	R 318	57.60.1120	1 pce	12R	MF, 1%, 0204, E24						
3	R 319	57.60.1472	1 pce	4k7	MF, 1%, 0204, E24						
0	R 320	57.60.1472	1 pce	4k7	MF, 1%, 0204, E24						
3	R 321	57.60.1472	1 pce	4k7	MF, 1%, 0204, E24						
0	R 322	57.60.1131	1 pce	130R	MF, 1%, 0204, E24						
3	R 323	57.60.1472	1 pce	4k7	MF, 1%, 0204, E24						
0	R 324	57.60.1472	1 pce	4k7	MF, 1%, 0204, E24						
3	R 325	57.60.1472	1 pce	4k7	MF, 1%, 0204, E24						
0	R 326	57.60.1121	1 pce	120R	MF, 1%, 0204, E24						
0	R 327	57.60.1120	1 pce	12R	MF, 1%, 0204, E24						
0	R 328	57.60.1120	1 pce	12R	MF, 1%, 0204, E24						
0	R 330	57.60.1103	1 pce	10k	MF, 1%, 0204, E24						
0	R 331	57.60.1103	1 pce	10k	MF, 1%, 0204, E24						
0	R 332	57.60.1103	1 pce	10k	MF, 1%, 0204, E24						
0	R 333	57.60.1103	1 pce	10k	MF, 1%, 0204, E24						
0	R 334	57.60.1100	1 pce	10R	MF, 1%, 0204, E24						
0	R 401	57.60.1362	1 pce	3k6	MF, 1%, 0204, E24						
0	R 402	57.60.1820	1 pce	82R	MF, 1%, 0204, E24						
0	R 403	57.60.1511	1 pce	510R	MF, 1%, 0204, E24						
0	R 404	57.60.1511	1 pce	510R	MF, 1%, 0204, E24						
0	R 405	57.60.1511	1 pce	510R	MF, 1%, 0204, E24						
0	R 406	57.60.1102	1 pce	1k0	MF, 1%, 0204, E24						
0	R 407	57.60.1102	1 pce	1k0	MF, 1%, 0204, E24						
0	R 408	57.60.1102	1 pce	1k0	MF, 1%, 0204, E24						
0	R 409	57.60.1102	1 pce	1k0	MF, 1%, 0204, E24						
0	R 410	57.60.1102	1 pce	1k0	MF, 1%, 0204, E24						
0	R 411	57.60.1681	1 pce	680R	MF, 1%, 0204, E24						
0	R 412	57.60.1102	1 pce	1k0	MF, 1%, 0204, E24						
0	R 413	57.60.1102	1 pce	1k0	MF, 1%, 0204, E24						
0	R 414	57.60.1102	1 pce	1k0	MF, 1%, 0204, E24						
0	R 415	57.60.1102	1 pce	1k0	MF, 1%, 0204, E24						
0	R 416	57.60.1120	1 pce	12R	MF, 1%, 0204, E24						
0	R 417	57.60.1102	1 pce	1k0	MF, 1%, 0204, E24						
0	R 418	57.60.1120	1 pce	12R	MF, 1%, 0204, E24						
3	R 419	57.60.1472	1 pce	4k7	MF, 1%, 0204, E24						
0	R 420	57.60.1472	1 pce	4k7	MF, 1%, 0204, E24						
3	R 421	57.60.1472	1 pce	4k7	MF, 1%, 0204, E24						
0	R 422	57.60.1131	1 pce	130R	MF, 1%, 0204, E24						
3	R 423	57.60.1472	1 pce	4k7	MF, 1%, 0204, E24						
0	R 424	57.60.1472	1 pce	4k7	MF, 1%, 0204, E24						

End of List

- (1) MP1: PCB Modification
- (2) Additionally D8 and MP20
- (3) Improvement of stability: Several resistors replaced
- (4) Improved +5VA stability in power down mode: R40 and R47 replaced



D19M AESO Board 1.940.585.21



Erstellt	02.12.96	ZT							
Notiz									
Gezeichnet									
Geprüft									
Freigegeben									



D19m AESO Board I.940.585.22

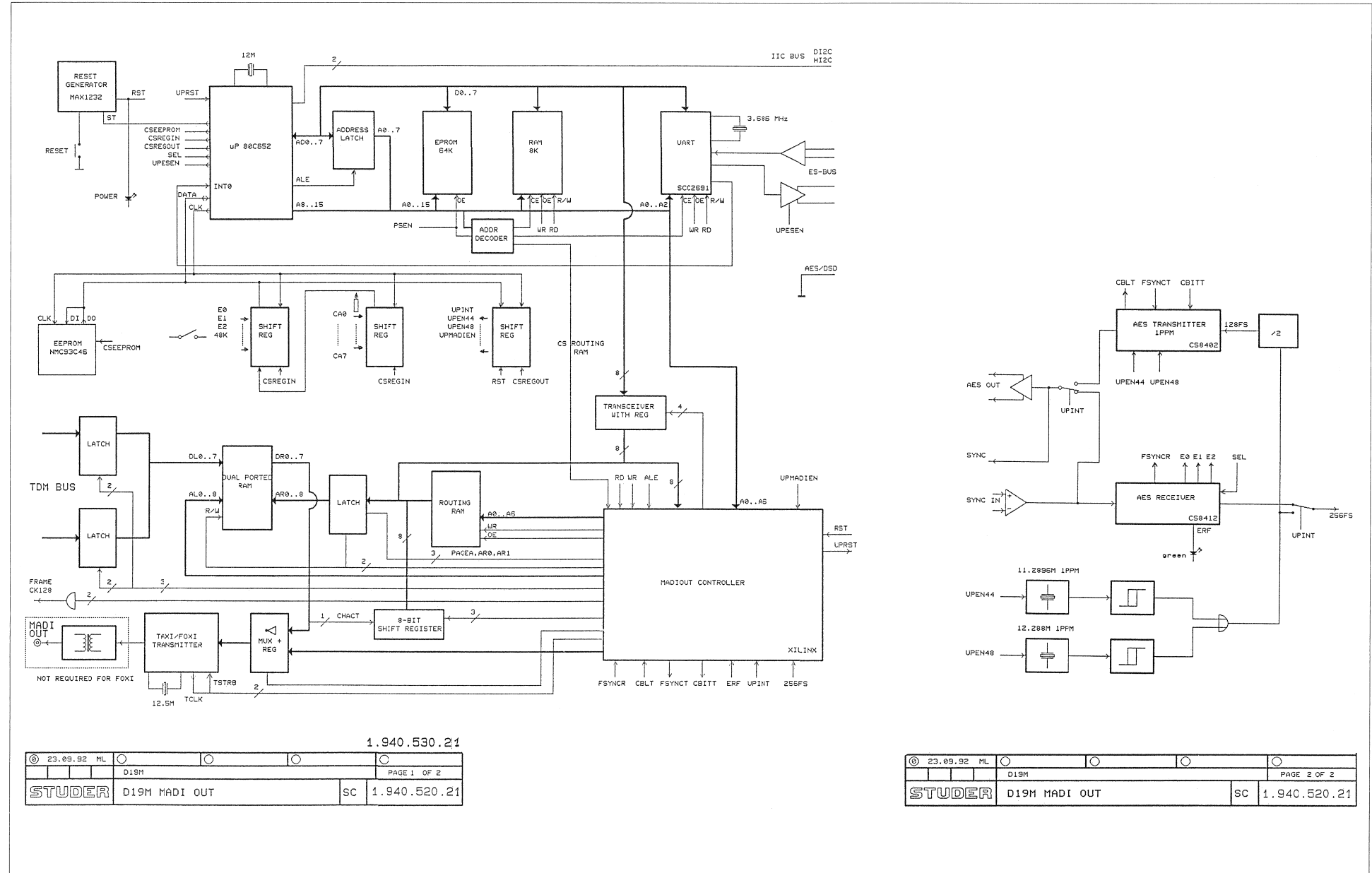
Idx.	Pos.	Part No.	Qty.	Type/Val.	Description	Idx.	Pos.	Part No.	Qty.	Type/Val.	Description
0	C 1	59.06.0104		100n	PETP, 63V, 10%, RM5	0	TP 1	54.02.0320		1p	Flatpin, 2.8*0.8mm
0	C 2	59.06.0104		100n	PETP, 63V, 10%, RM5	0	XDL 1	50.20.2501		Spacer	LED-Sockel
0	C 3	59.06.0104		100n	PETP, 63V, 10%, RM5	0	XIC 2	53.03.0168		16p	DIL 0.3", lötl, gerade
0	C 4	59.06.0104		100n	PETP, 63V, 10%, RM5	0	XIC 3	53.03.0168		16p	DIL 0.3", lötl, gerade
0	C 5	59.06.0104		100n	PETP, 63V, 10%, RM5	0	XIC 4	53.03.2244		PLCC44p	PLCC-Socket 44p
0	C 6	59.06.0104		100n	PETP, 63V, 10%, RM5	0	XIC 5	53.03.2284		PLCC84p	PLCC-Socket 84p
0	C 7	59.06.0104		100n	PETP, 63V, 10%, RM5						
0	C 8	59.06.0104		100n	PETP, 63V, 10%, RM5						
0	C 9	59.06.0104		100n	PETP, 63V, 10%, RM5						
0	C 10	59.06.0104		100n	PETP, 63V, 10%, RM5						
0	C 11	59.22.3470		47u	EL 10V, 20%, RM5						
0	C 12	59.06.0104		100n	PETP, 63V, 10%, RM5						
0	C 13	59.06.0104		100n	PETP, 63V, 10%, RM5						
0	C 14	59.34.4101		100p	CER 63V, 5%, N750						
0	C 15	59.06.0104		100n	PETP, 63V, 10%, RM5						
0	C 16	59.34.4101		100p	CER 63V, 5%, N750						
0	C 17	59.06.0104		100n	PETP, 63V, 10%, RM5						
0	C 18	59.34.4101		100p	CER 63V, 5%, N750						
0	C 19	59.06.0104		100n	PETP, 63V, 10%, RM5						
0	C 20	59.06.0104		100n	PETP, 63V, 10%, RM5						
0	C 21	59.06.0104		100n	PETP, 63V, 10%, RM5						
0	C 22	59.34.4101		100p	CER 63V, 5%, N750						
0	C 23	59.06.0104		100n	PETP, 63V, 10%, RM5						
0	DL 1	50.04.2202		HLMP1790	DL HLMP - 1790 GN						
0	IC 1	50.14.1009		CY7C128-35	IC MCM 2018 A - 35 ,A						
0	IC 2	50.15.0127		34C87	IC DS 34 C 87 TN, MC34C87P ,A						
0	IC 3	50.15.0127		34C87	IC DS 34 C 87 TN, MC34C87P ,A						
0	IC 4	1.940.962.21			SW 585 CEBRA (50.63.4202)						
0	IC 5	1.940.964.21			SW 585 AESOUT (50.63.4205)						
0	IC 6	50.14.1009		CY7C128-35	IC MCM 2018 A - 35 ,A						
0	IC 7	50.17.0166		74HCT166	8 Bit parallel in/serial out						
0	IC 8	50.17.7014		ACT14	.. 74 ACT 14 .						
0	IC 9	50.17.0166		74HCT166	8 Bit parallel in/serial out						
0	J 1	54.11.2009			J EU-R 3 * 32						
0	J 2	54.01.0021		Jumper	0.63 * 0.63mm						
0	J 3	54.01.0021		Jumper	0.63 * 0.63mm						
0	JP 1	54.11.0136		2*3p	Pin 0.63*0.63, RM2.54						
0	MP 1	1.940.585.12			D19M AESO BOARD PCB						
0	MP 2	1.940.585.04			TYPENSCHILD						
0	MP 3	43.01.0108	mp	Label	ESE-WARNSCHILD						
0	MP 4	1.101.001.20	mp	Label	TEXT-ETIK. 5*20 HARDWARE -20						
0	MP 10	1.940.585.01	1 pce		FRONTPLATTE						
0	MP 11	1.940.600.04	1 pce		GRIFFEINLAGE 4TE						
0	MP 12	49.02.0520	2 pcs	M2.5*12	Rändelschraube (Rack)						
0	MP 13	49.02.0521	2 pcs		Metall-Buchse (Rack)						
0	MP 14	49.02.0522	2 pcs		Kartenhalter (Rack)						
0	MP 15	49.02.0523	1 pce	M2.5*7	Senk-Schr, KS, Senkripp						
0	MP 16	49.02.0504	1 pce	4TE	Frontplatten-Griff						
0	MP 17	21.53.0279	2 pcs		Z - SCHR. IS , ZN , M2.5 * 6						
0	MP 18	21.53.0284	1 pce		Z - SCHR. IS , ZN , M2.5 * 16						
0	MP 19	28.99.0119	2 pcs		ROHRNIETE D 2.5*0.15* 9						
0	R 1	57.11.3470		47R	MF, 1%, 0207						
0	R 2	57.11.3470		47R	MF, 1%, 0207						
0	R 3	57.92.7053		1.6A	POLY- PTC, 30V						
0	R 4	57.11.3222		2k2	MF, 1%, 0207						
0	R 5	57.11.3470		47R	MF, 1%, 0207						
0	R 6	57.11.3222		2k2	MF, 1%, 0207						
0	R 7	57.11.3470		47R	MF, 1%, 0207						
0	R 8	57.11.3102		1k0	MF, 1%, 0207						
0	R 9	57.11.3332		3k3	MF, 1%, 0207						
0	RZ 1	57.88.4103		8*10k	2%, SIP 9						
0	T 1	1.022.647.00		1:1.4	OUTPUT TRAFO AES/EBU						
0	T 2	1.022.647.00		1:1.4	OUTPUT TRAFO AES/EBU						
0	T 3	1.022.647.00		1:1.4	OUTPUT TRAFO AES/EBU						
0	T 4	1.022.647.00		1:1.4	OUTPUT TRAFO AES/EBU						

End of List

Comments

IC-Sockel XIC nn entsprechend den IC Nummern bestücken.
LED-Sockel XDL nn entsprechend den DL Nummern bestücken.

Block Diagram
D19M Mado Coaxial 1.940.520
Mado Optical 1.940.530

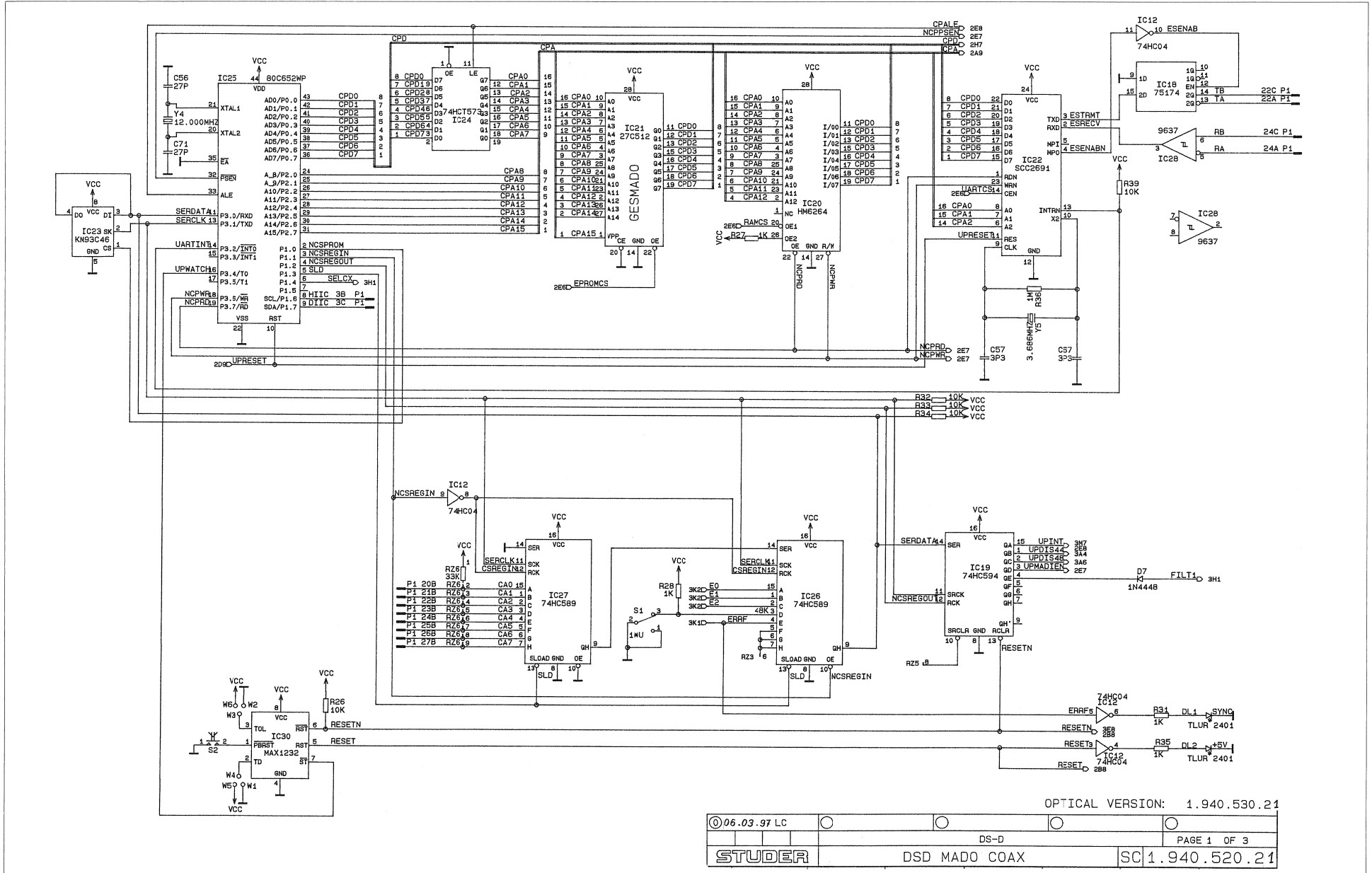


1.940.530.21

© 23.09.92 ML								
	D19M							PAGE 1 OF 2
STUDER	D19M MADI OUT		SC	1.940.520.21				

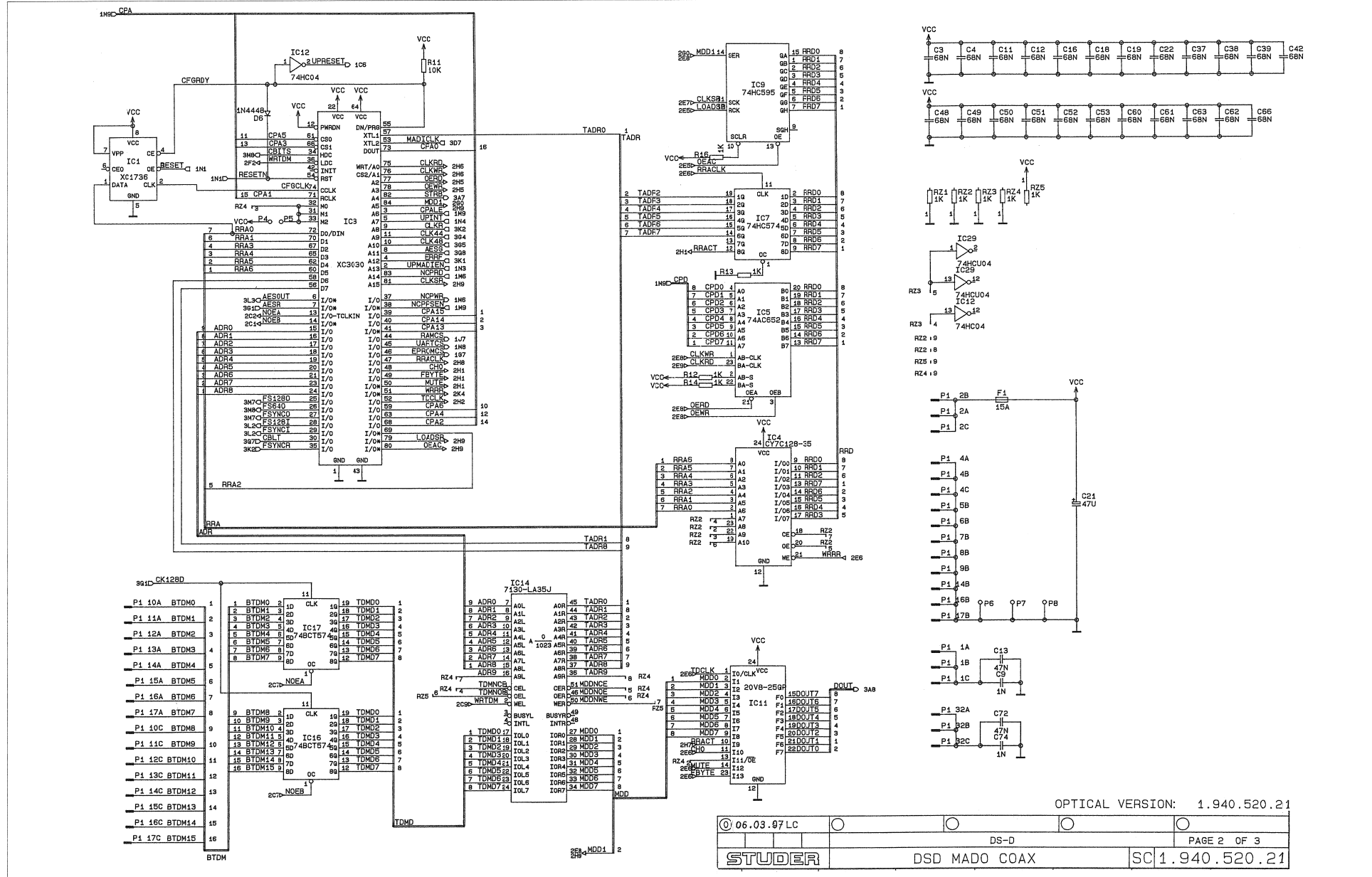
© 23.09.92 ML								
	D19M							PAGE 2 OF 2
STUDER	D19M MADI OUT		SC	1.940.520.21				

D19M Mado Coaxial 1.940.520.21
Mado Optical 1.940.530.21

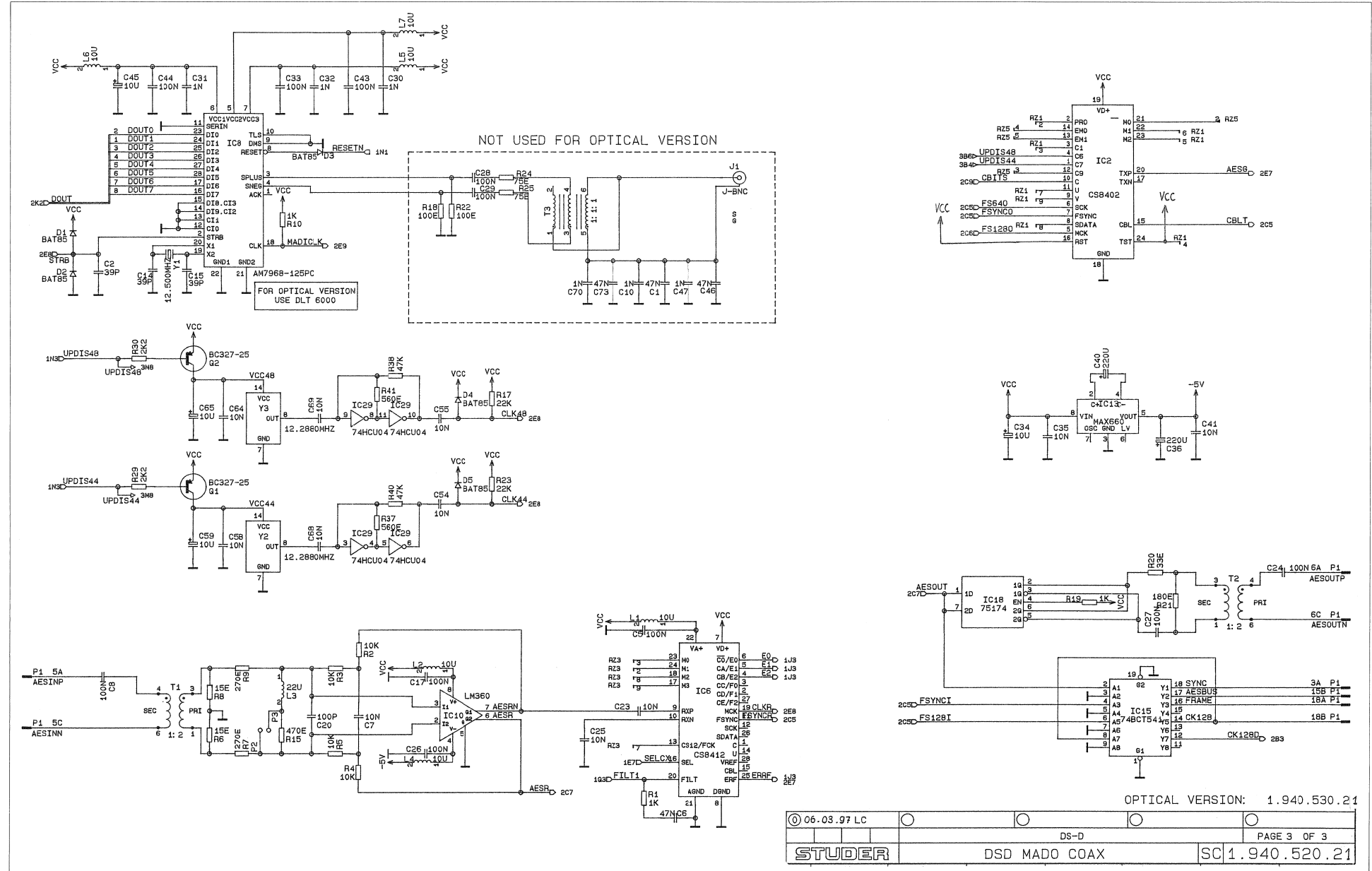




D19M Mado Coaxial 1.940.520.21
Mado Optical 1.940.530.21

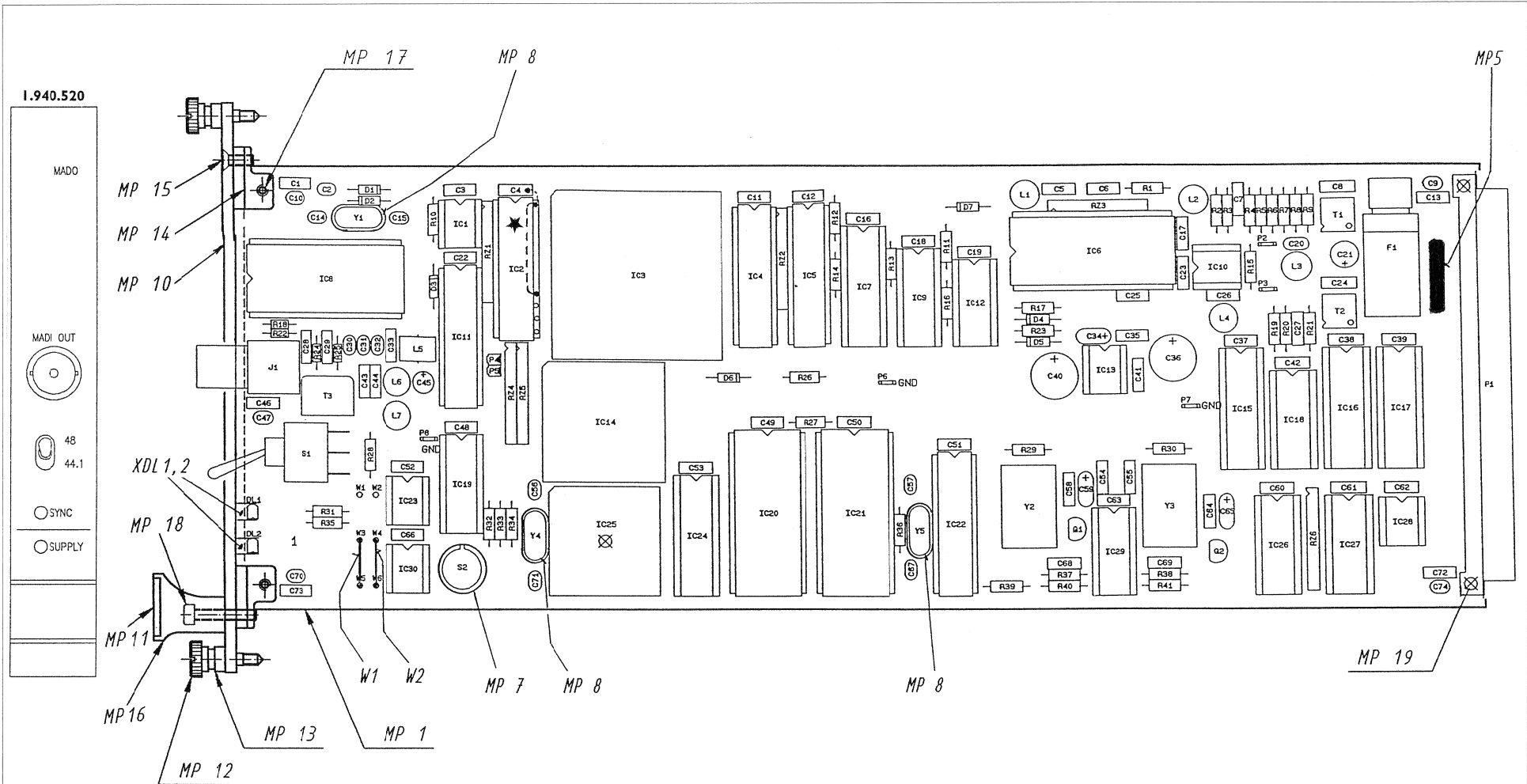


D19M Mado Coaxial 1.940.520.21
 Mado Optical 1.940.530.21





D19M Mado Coaxial I.940.520.21



★ Cut pin 16 and connect pin 16 with pin 24 and C4 (VCC)

Revision	1	2	3	4	5
Modification					
Author					
Editor					
Date	06.03.97	hm	ML	HM	
Checked		Visa	Index	Seen	
Drawn		Exp.	Supp.	Est.	Index



DI9M Mado Coaxial I.940.520.21

Idx.	Pos.	Part No.	Qty.	Type/Val.	Description	Idx.	Pos.	Part No.	Qty.	Type/Val.	Description
0	C 1	59.06.0473	47n		PETP, 63V, 10%, RM5	0	IC 1	1.940.946.21			SW 520 MADIOUT (50.14.1501)
0	C 2	59.34.2390	39p		CER 63V, 5%, N150	0	IC 2	50.13.0203			IC CS 8402-CP ,A
0	C 3	59.06.0683	68n		PETP, 63V, 10%, RM5	0	IC 3	50.63.4003			IC ATT3030-125, XC3030A-6 ,A
0	C 4	59.06.0683	68n		PETP, 63V, 10%, RM5	0	IC 4	50.14.1009		CY7C128-35	IC MCM 2018 A - 35 ,A
0	C 5	59.06.0104	100n		PETP, 63V, 10%, RM5	0	IC 5	50.17.8652		74AC652	IC .. 74 AC 652 . ,A
0	C 6	59.06.0473	47n		PETP, 63V, 10%, RM5	0	IC 6	50.13.0202		CS8412	IC CS 8412-CP ,A
0	C 7	59.06.0103	10n		PETP, 63V, 10%, RM5	0	IC 7	50.17.1574		74HC574	IC ... 74 HC 574 . , ,A
0	C 8	59.06.0104	100n		PETP, 63V, 10%, RM5	0	IC 8	50.18.0701		AM7968-125P	IC AM 7968-125 PC ,A
0	C 9	59.32.4102	1n		C 1000 P , 20%, 50V , CER	0	IC 9	50.17.1595		74HC595	IC ... 74 HC 595 . , ,A
0	C 10	59.32.4102	1n		C 1000 P , 20%, 50V , CER	0	IC 10	50.11.1002		LM380	High speed Comparator
0	C 11	59.06.0683	68n		PETP, 63V, 10%, RM5	0	IC 11	1.940.947.20			SW 520 TAXIREG (50.18.0101)
0	C 12	59.06.0683	68n		PETP, 63V, 10%, RM5	0	IC 12	50.17.1004		74HC04	IC ... 74 HC 04 . , ,A
0	C 13	59.06.0473	47n		PETP, 63V, 10%, RM5	0	IC 13	50.10.0124		MAX680	V-Converter ... +5.5V to -5.5V
0	C 14	59.34.2390	39p		CER 63V, 5%, N150	0	IC 14	50.63.1702		CY7C130	IC CY7C 130 - 45 LC ,A
0	C 15	59.34.2390	39p		CER 63V, 5%, N150	0	IC 15	50.17.8541		74BCT541	Octal Buffer, tri
0	C 16	59.06.0683	68n		PETP, 63V, 10%, RM5	0	IC 16	50.17.8574		74BCT574	Octal D-Type FF, tri
0	C 17	59.06.0104	100n		PETP, 63V, 10%, RM5	0	IC 17	50.17.8574		74BCT574	Octal D-Type FF, tri
0	C 18	59.06.0683	68n		PETP, 63V, 10%, RM5	0	IC 18	50.15.0121		75174	IC SN 75174 N
0	C 19	59.06.0683	68n		PETP, 63V, 10%, RM5	0	IC 19	50.17.1594		74HC594	IC ... 74 HC 594 . , ,A
0	C 20	59.34.4101	100p		CER 63V, 5%, N750	0	IC 20	50.14.0133		5565	IC HM 6264LP-15 ,A
0	C 21	59.22.3470	47u		EL 10V, 20%, RM5	0	IC 21	1.940.945.20			SW 520 MADO (50.14.2002)
0	C 22	59.06.0683	68n		PETP, 63V, 10%, RM5	0	IC 22	50.16.0201		SCC2691	IC SCC 2691 AE 1 N 24 ,A
0	C 23	59.06.0103	10n		PETP, 63V, 10%, RM5	0	IC 23	50.14.2103		HY93C46S	EEPROM 64 * 16, serial
0	C 24	59.06.0104	100n		PETP, 63V, 10%, RM5	0	IC 24	50.17.0573		74HCT573	IC ... 74 HCT573 . , ,A
0	C 25	59.06.0103	10n		PETP, 63V, 10%, RM5	0	IC 25	50.63.0009		80C652	8bit microcontroller
0	C 26	59.06.0104	100n		PETP, 63V, 10%, RM5	0	IC 26	50.17.1589		74HC589	MC 74 HC 589 N
0	C 27	59.06.0104	100n		PETP, 63V, 10%, RM5	0	IC 27	50.17.1589		74HC589	MC 74 HC 589 N
0	C 28	59.06.0104	100n		PETP, 63V, 10%, RM5	0	IC 28	50.15.0114		9637	Dual diff Line Receiver
0	C 29	59.06.0104	100n		PETP, 63V, 10%, RM5	0	IC 29	50.17.1904		74HCU04	IC ... 74 HCU 04 . , ,A
0	C 30	59.32.4102	1n		C 1000 P , 20%, 50V , CER	0	IC 30	50.11.0159		MAX1232	IC MAX 1232 CPA, DS 1232
0	C 31	59.32.4102	1n		C 1000 P , 20%, 50V , CER	0	J 1	54.21.2031		BNC	J 1 POL PRINT/WINKEL BNC
0	C 32	59.32.4102	1n		C 1000 P , 20%, 50V , CER	0	L 1	62.02.3100		10uH	L 10 U , 10%, RAD., RM 5
0	C 33	59.06.0104	100n		PETP, 63V, 10%, RM5	0	L 2	62.02.3100		10uH	L 10 U , 10%, RAD., RM 5
0	C 34	59.22.6100	10u		EL 35V, 20%, RM5	0	L 3	62.02.3220		22uH	L 22 U , 10%, RAD., RM 5
0	C 35	59.06.0103	10n		PETP, 63V, 10%, RM5	0	L 4	62.02.3100		10uH	L 10 U , 10%, RAD., RM 5
0	C 36	59.22.4221	220u		EL 16V, 20%, RM5	0	L 5	62.03.0001		10uH	1A Toroid Choche
0	C 37	59.06.0683	68n		PETP, 63V, 10%, RM5	0	L 6	62.02.3100		10uH	L 10 U , 10%, RAD., RM 5
0	C 38	59.06.0683	68n		PETP, 63V, 10%, RM5	0	L 7	62.02.3100		10uH	L 10 U , 10%, RAD., RM 5
0	C 39	59.06.0683	68n		PETP, 63V, 10%, RM5	0	MP 1	1.940.520.11			D19M MADO PCB
0	C 40	59.22.4221	220u		EL 16V, 20%, RM5	0	MP 2	1.010.057.43			Baugruppenschild
0	C 41	59.06.0103	10n		PETP, 63V, 10%, RM5	0	MP 3	43.01.0108		Label	ESE-WARNSCHILD
0	C 42	59.06.0683	68n		PETP, 63V, 10%, RM5	0	MP 4	1.101.001.20		Label	TEXT-ETIK. 5*20 HARDWARE -20
0	C 43	59.06.0104	100n		PETP, 63V, 10%, RM5	0	MP 5	1.010.117.51			TEXT-ETIK. 5*20 (T1.60A)
0	C 44	59.22.6100	10u		EL 35V, 20%, RM5	0	MP 7	1.010.015.50		Spacer	ISOLIER-SCHIEBE ZU TO 5
0	C 45	59.22.6100	10u		EL 35V, 20%, RM5	0	MP 8	89.01.1499 3 pcs			QUARZ - ISOLIERPLATTE
0	C 46	59.06.0473	47n		PETP, 63V, 10%, RM5	0	MP 10	1.940.520.01 1 pce			FRONTPLATTE
0	C 47	59.32.4102	1n		C 1000 P , 20%, 50V , CER	0	MP 11	1.940.600.04 1 pce			GRIFFEINLAGE 4TE
0	C 48	59.06.0683	68n		PETP, 63V, 10%, RM5	0	MP 12	49.02.0520 2 pcs		M2.5*12	Rändelschraube (Rack)
0	C 49	59.06.0683	68n		PETP, 63V, 10%, RM5	0	MP 13	49.02.0521 2 pcs			Metall-Buchse (Rack)
0	C 50	59.06.0683	68n		PETP, 63V, 10%, RM5	0	MP 14	49.02.0522 2 pcs			Kartenhalter (Rack)
0	C 51	59.06.0683	68n		PETP, 63V, 10%, RM5	0	MP 15	49.02.0523 2 pcs		M2.5*7	Senk-Schr. KS, Senkripp
0	C 52	59.06.0683	68n		PETP, 63V, 10%, RM5	0	MP 16	49.02.0504 1 pce		4TE	Frontplatten-Griff
0	C 53	59.06.0683	68n		PETP, 63V, 10%, RM5	0	MP 17	21.53.0279 2 pcs			Z - SCHR. IS , ZN , M2.5 * 6
0	C 54	59.06.0103	10n		PETP, 63V, 10%, RM5	0	MP 18	21.53.0284 1 pce			Z - SCHR. IS , ZN , M2.5 * 16
0	C 55	59.06.0103	10n		PETP, 63V, 10%, RM5	0	MP 19	28.99.0119 2 pcs			ROHRNIETE D 2.5*0.15* 9
0	C 56	59.34.2270	27p		CER 63V, 5%, N150	0	P 1	54.11.2009		96p	EU-R 3*32p
0	C 57	59.34.0339	3p3		CER 63V, 5%, P100	0	P 2	54.02.0320		1p	Flatpin, 2.8*0.8mm
0	C 58	59.06.0103	10n		PETP, 63V, 10%, RM5	0	P 3	54.02.0320		1p	Flatpin, 2.8*0.8mm
0	C 59	59.22.6100	10u		EL 35V, 20%, RM5	0	P 4	54.01.0020		1p	Pin 0.63*0.63
0	C 60	59.06.0683	68n		PETP, 63V, 10%, RM5	0	P 5	54.01.0020		1p	Pin 0.63*0.63
0	C 61	59.06.0683	68n		PETP, 63V, 10%, RM5	0	P 6	54.02.0320		1p	Flatpin, 2.8*0.8mm
0	C 62	59.06.0683	68n		PETP, 63V, 10%, RM5	0	P 7	54.02.0320		1p	Flatpin, 2.8*0.8mm
0	C 63	59.06.0683	68n		PETP, 63V, 10%, RM5	0	P 8	54.02.0320		1p	Flatpin, 2.8*0.8mm
0	C 64	59.06.0103	10n		PETP, 63V, 10%, RM5	0	Q 1	50.03.0351		BC327-25	PNP, 800mA
0	C 65	59.22.6100	10u		EL 35V, 20%, RM5	0	Q 2	50.03.0351		BC327-25	PNP, 800mA
0	C 66	59.06.0683	68n		PETP, 63V, 10%, RM5	0	R 1	57.11.3102		1k0	MF, 1%, 0207
0	C 67	59.34.0339	3p3		CER 63V, 5%, P100	0	R 2	57.11.3103		10k	MF, 1%, 0207
0	C 68	59.06.0103	10n		PETP, 63V, 10%, RM5	0	R 3	57.11.3103		10k	MF, 1%, 0207
0	C 69	59.06.0103	10n		PETP, 63V, 10%, RM5	0	R 4	57.11.3103		10k	MF, 1%, 0207
0	C 70	59.32.4102	1n		C 1000 P , 20%, 50V , CER	0	R 5	57.11.3103		10k	MF, 1%, 0207
0	C 71	59.34.2270	27p		CER 63V, 5%, N150	0	R 6	57.11.3150		15R	MF, 1%, 0207
0	C 72	59.06.0473	47n		PETP, 63V, 10%, RM5	0	R 7	57.11.3271		270R	MF, 1%, 0207
0	C 73	59.06.0473	47n		PETP, 63V, 10%, RM5	0	R 8	57.11.3150		15R	MF, 1%, 0207
0	C 74	59.32.4102	1n		C 1000 P , 20%, 50V , CER	0	R 9	57.11.3271		270R	MF, 1%, 0207
0	D 1	50.04.0127	BAT85		200mA, Schottky	0	R 10	57.11.3102		1k0	MF, 1%, 0207
0	D 2	50.04.0127	BAT85		200mA, Schottky	0	R 11	57.11.3103		10k	MF, 1%, 0207
0	D 3	50.04.0127	BA185		200mA, Schottky	0	R 12	57.11.3102		1k0	MF, 1%, 0207
0	D 4	50.04.0127	BAT85		200mA, Schottky	0	R 13	57.11.3102		1k0	MF, 1%, 0207
0	D 5	50.04.0127	BAT85		200mA, Schottky	0	R 14	57.11.3102		1k0	MF, 1%, 0207
0	D 6	50.04.0125	1N4448		75V, 150mA, 4ns, DO-35	0	R 15	57.11.3102		1k0	MF, 1%, 0207
0	D 7	50.04.0125	1N4448		75V, 150mA, 4ns, DO-35	0	R 16	57.11.3102		1k0	MF, 1%, 0207
0	DL 1	50.04.2202	HLMP1790		DL HLMP - 1790 GN	0	R 13	57.11.3102		1k0	MF, 1%, 0207
0	DL 2	50.04.2202	HLMP1790		DL HLMP - 1790 GN	0	R 14	57.11.3102		1k0	MF, 1%, 0207
0	F 1	51.01.0119	1.6A		T 5*20 L 250V	0	R 15	not used		470R	MF, 1%, 0207
						0	R 16	57.11.3102		1k0	MF, 1%, 0207



DI9M Mado Coaxial I.940.520.21

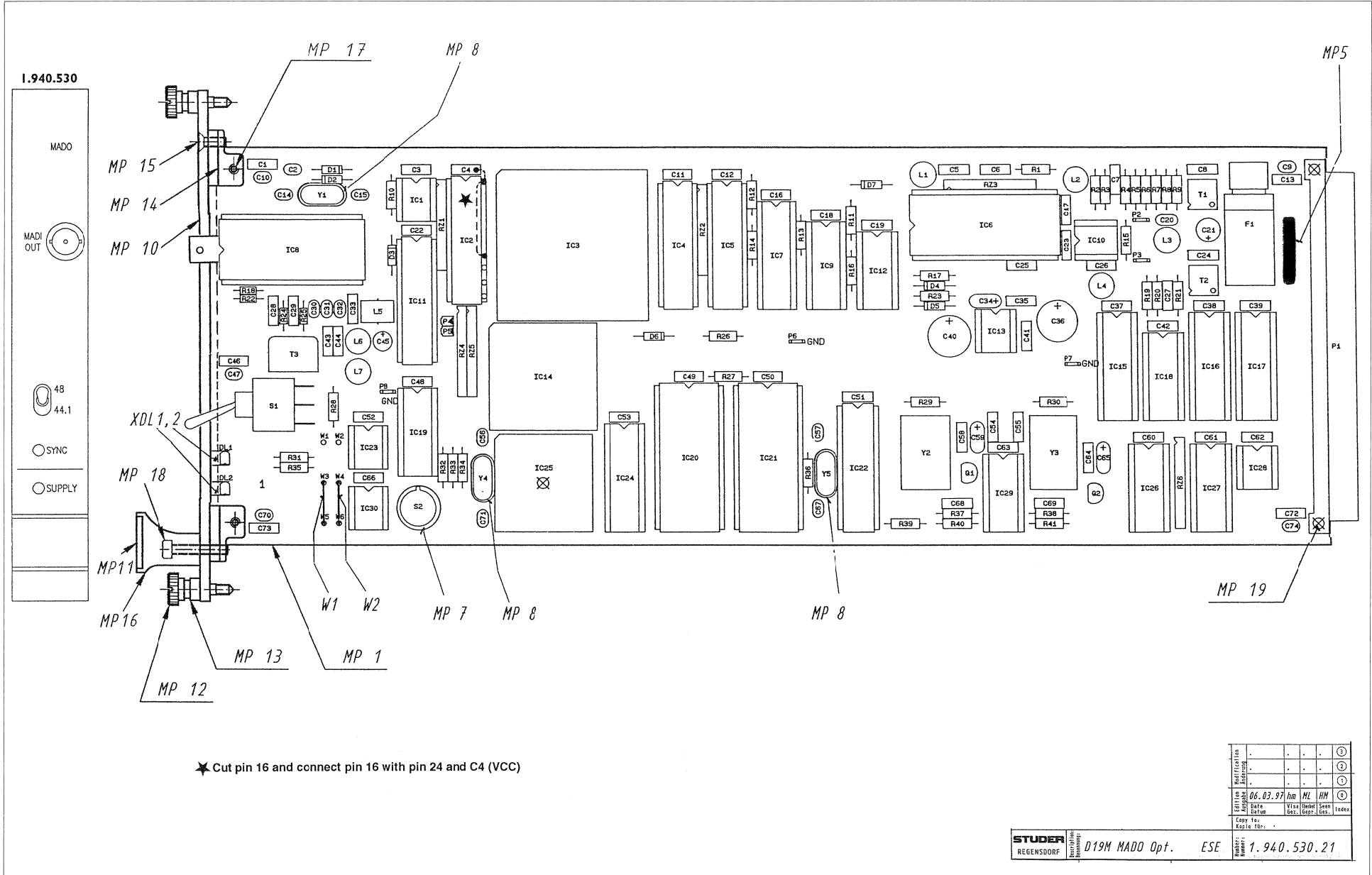
Idx.	Pos.	Part No.	Qty.	Type/Val.	Description
0	R 17	57.11.3223		22k	MF, 1%, 0207
0	R 18	57.10.1101		100R	MF, 1%, 0204
0	R 19	57.11.3102		1k0	MF, 1%, 0207
0	R 20	57.11.3330		33R	MF, 1%, 0207
0	R 21	57.11.3181		180R	MF, 1%, 0207
0	R 22	57.10.1101		100R	MF, 1%, 0204
0	R 23	57.11.3223		22k	MF, 1%, 0207
0	R 24	57.10.1750		75R	MF, 1%, 0204
0	R 25	57.10.1750		75R	MF, 1%, 0204
0	R 26	57.11.3103		10k	MF, 1%, 0207
0	R 27	57.11.3102		1k0	MF, 1%, 0207
0	R 28	57.11.3102		1k0	MF, 1%, 0207
0	R 29	57.11.3222		2k2	MF, 1%, 0207
0	R 30	57.11.3222		2k2	MF, 1%, 0207
0	R 31	57.11.3102		1k0	MF, 1%, 0207
0	R 32	57.11.3103		10k	MF, 1%, 0207
0	R 33	57.11.3103		10k	MF, 1%, 0207
0	R 34	57.11.3103		10k	MF, 1%, 0207
0	R 35	57.11.3102		1k0	MF, 1%, 0207
0	R 36	57.11.3105		1M0	MF, 1%, 0207
0	R 37	57.11.3561		560R	MF, 1%, 0207
0	R 38	57.11.3473		47k	MF, 1%, 0207
0	R 39	57.11.3103		10k	MF, 1%, 0207
0	R 40	57.11.3473		47k	MF, 1%, 0207
0	R 41	57.11.3561		560R	MF, 1%, 0207
0	RZ 1	57.88.4102		8*1k	2%, SIP 9
0	RZ 2	57.88.4102		8*1k	2%, SIP 9
0	RZ 3	57.88.4102		8*1k	2%, SIP 9
0	RZ 4	57.88.4102		8*1k	2%, SIP 9
0	RZ 5	57.88.4102		8*1k	2%, SIP 9
0	RZ 6	57.88.4333		8*33k	2%, SIP 9
0	S 1	55.11.0202		SPST	Toggle on - none - on
0	S 2	55.03.0122		1*a	S 1 TASTE, 1*A, PRINT,IMPULS
0	T 1	63.15.0021			RF - Trafo
0	T 2	63.15.0021			RF - Trafo
0	T 3	63.15.0001			IMPULSTRANSFORMATOR
0	W 1	1.010.324.64		Wire	DRAHTBRUECKE U, 4.3*10.2, 0.6
0	W 2	1.010.324.64		Wire	DRAHTBRUECKE U, 4.3*10.2, 0.6
0	XDL 1	50.20.2501		Spacer	LED-Sockel
0	XDL 2	50.20.2501		Spacer	LED-Sockel
0	XF 1	53.03.0118			XF 5 * 20, PRINT-LIEGEND
0	XIC 1	53.03.0166		8p	DIL 0.3", löf, gerade
0	XIC 3	53.03.2284		PLCC84p	PLCC-Socket 84p
0	XIC 11	53.03.0182		24p	DIL 0.3", löf, gerade
0	XIC 14	53.03.2252		PLCC52p	PLCC-Socket 52p
0	XIC 15	53.03.0165		20p	DIL 0.3", löf, gerade
0	XIC 16	53.03.0165		20p	DIL 0.3", löf, gerade
0	XIC 17	53.03.0165		20p	DIL 0.3", löf, gerade
0	XIC 18	53.03.0168		16p	DIL 0.3", löf, gerade
0	XIC 21	53.03.0173		28p	DIL 0.6", löf, gerade
0	XIC 25	53.03.2244		PLCC44p	PLCC-Socket 44p
0	XIC 28	53.03.0166		8p	DIL 0.3", löf, gerade
0	Y 1	89.01.1013		12.500MHz	12.500 000 MHz, HC 49/U
0	Y 2	89.01.1602		11.2896MHz	TCXO Xtal-Oscillator temp comp
0	Y 3	89.01.1601		12.288MHz	TCXO Xtal-Oscillator temp comp
0	Y 4	89.01.1014		12.000MHz	12.000 000 MHz, HC 49/U
0	Y 5	89.01.1002		3.686MHz	3.686 400 MHz, HC 18/U

----- End of List -----

Comments:
new software 1.940.946-20 to -21



Mado Optical 1.940.530.21



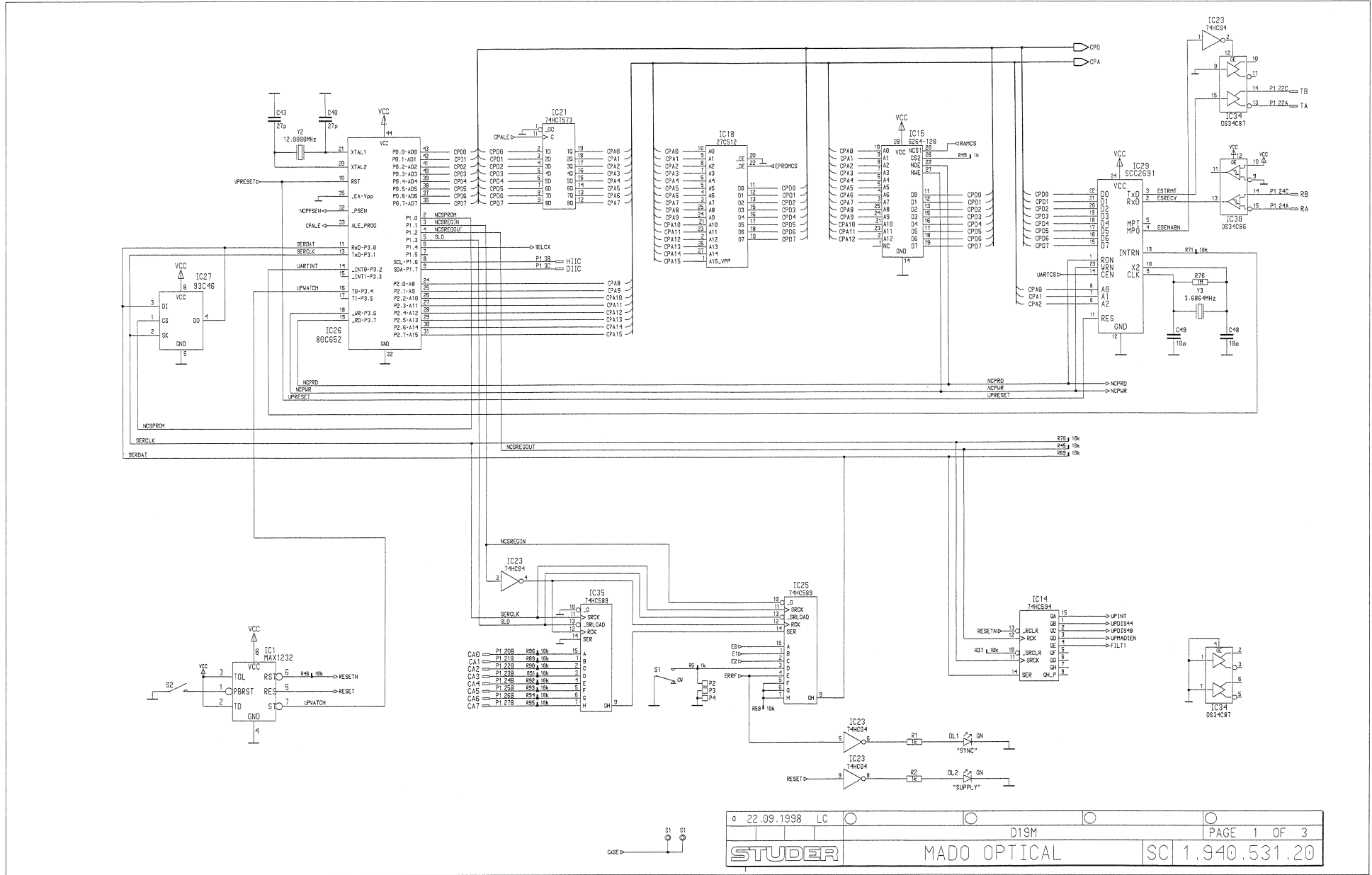
★ Cut pin 16 and connect pin 16 with pin 24 and C4 (VCC)

Revision									
Modifications									
Author									
Checked									
Drawn									
Appr.									
Copy No.									
Appr. No.									



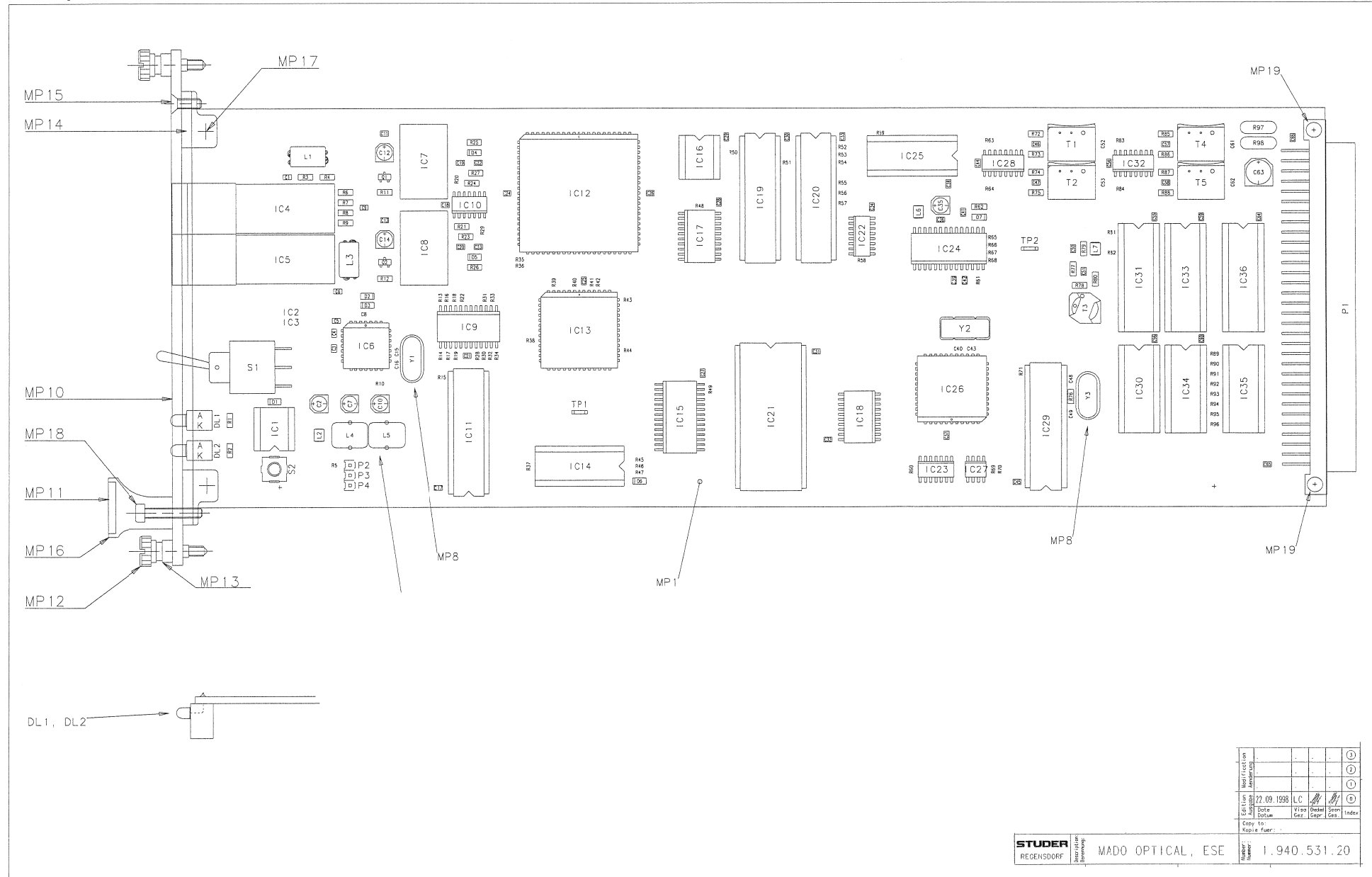
Mado Optical 1.940.530.Z1

Idx.	Pos.	Part No.	Qty.	Type/Val.	Description	Idx.	Pos.	Part No.	Qty.	Type/Val.	Description	Idx.	Pos.	Part No.	Qty.	Type/Val.	Description
0	C 1	not used	47n	PETP, 63V, 10%, RMS		0	IC 1	1.940.948.21		SW 620 MADIOUT (50.14.1601)	0	R 19	57.11.3102	1k0	MF, 1%, 0207		
0	C 2	59.34.2360	39p	CER 63V, 5%, N150		0	IC 2	50.13.0203		IC CS 8402-CP , A	0	R 20	57.11.3330	33R	MF, 1%, 0207		
0	C 3	59.06.0683	68n	PETP, 63V, 10%, RMS		0	IC 3	50.63.4003		IC ATT3C0-125, KC3030A-6 A	0	R 21	57.11.3181	180R	MF, 1%, 0207		
0	C 4	59.06.0683	68n	PETP, 63V, 10%, RMS		0	C 4	50.14.1009	CY7C128-35	IC MCM 2018 A - 135 , A	0	R 22	not used	100R	MF, 1%, 0204		
0	C 5	59.06.0104	100n	PETP, 63V, 10%, RMS		0	IC 5	50.17.5652	74AC852	IC ... 74 AC 652 , A	0	R 23	57.11.3223	22k	MF, 1%, 0207		
0	C 6	59.06.0473	47n	PETP, 63V, 10%, RMS		0	IC 6	50.13.0202	CS8412	IC CS 8412-CP , A	0	R 24	not used	75R	MF, 1%, 0204		
0	C 7	59.06.0103	10n	PETP, 63V, 10%, RMS		0	IC 7	50.17.1674	74HC574	IC ... 74 HC 574 , A	0	R 25	not used	75R	MF, 1%, 0204		
0	C 8	59.06.0104	100n	PETP, 63V, 10%, RMS		0	IC 8	98.10.0001	DLT 6030 (LW1 - MODUL)	, A	0	R 26	57.11.3103	10k	MF, 1%, 0207		
0	C 9	59.32.4102	1n	C 1000 P, 20%, 50V, CER		0	IC 9	50.17.1555	74HC565	IC ... 74 HC 565 , A	0	R 27	57.11.3102	1k0	MF, 1%, 0207		
0	C 10	not used	1n	C 1000 P, 20%, 50V, CER		0	IC 10	50.11.1002	LM360	High speed Comparator	0	R 28	57.11.3102	1k0	MF, 1%, 0207		
0	C 11	59.06.0683	68n	PETP, 63V, 10%, RMS		0	IC 11	1.940.947.20		SW 520 TAXIREG (50.18.0101)	0	R 29	57.11.3222	2k2	MF, 1%, 0207		
0	C 12	59.06.0683	68n	PETP, 63V, 10%, RMS		0	IC 12	50.17.1004	74HC04	IC ... 74 HC 04 , A	0	R 30	57.11.3222	2k2	MF, 1%, 0207		
0	C 13	59.06.0473	47n	PETP, 63V, 10%, RMS		0	IC 13	50.10.0124	MAX860	V-Converter ... +5.5V to -5.5V	0	R 31	57.11.3102	1k0	MF, 1%, 0207		
0	C 14	59.34.2360	39p	CER 63V, 5%, N150		0	IC 14	50.63.1702	CY7C130	IC CY7C 130 - 45 LC , A	0	R 32	57.11.3103	10k	MF, 1%, 0207		
0	C 15	59.34.2360	39p	CER 63V, 5%, N150		0	IC 15	50.17.2541	74BCT541	Octal Buffer FF, tri	0	R 33	57.11.3103	10k	MF, 1%, 0207		
0	C 16	59.06.0683	68n	PETP, 63V, 10%, RMS		0	IC 16	50.17.8574	74BCT574	Octal D-Type FF, tri	0	R 34	57.11.3103	10k	MF, 1%, 0207		
0	C 17	59.06.0104	100n	PETP, 63V, 10%, RMS		0	IC 17	50.17.8574	74BCT574	Octal D-Type FF, tri	0	R 35	57.11.3102	1k0	MF, 1%, 0207		
0	C 18	59.06.0683	68n	PETP, 63V, 10%, RMS		0	IC 18	50.15.0121	75174	IC SN 75174 N	0	R 36	57.11.3105	1M0	MF, 1%, 0207		
0	C 19	59.06.0683	68n	PETP, 63V, 10%, RMS		0	IC 19	50.17.1594	74HC594	IC ... 74 HC 594 , A	0	R 37	57.11.3961	560R	MF, 1%, 0207		
0	C 20	59.34.4101	100p	CER 63V, 5%, N750		0	IC 20	50.14.0133	5555	IC HM 6234LP-15	, A	0	R 38	57.11.3473	47k	MF, 1%, 0207	
0	C 21	59.22.3470	47u	EL 10V, 20%, RMS		0	IC 21	1.940.945.20		SW 520 MADO (50.14.2002)	0	R 39	57.11.3103	10k	MF, 1%, 0207		
0	C 22	59.06.0683	68n	PETP, 63V, 10%, RMS		0	IC 22	50.16.0201	SCC2691	IC SCC 2691 AE 1 N 24 , A	0	R 40	57.11.3473	47k	MF, 1%, 0207		
0	C 23	59.06.0103	10n	PETP, 63V, 10%, RMS		0	IC 23	50.14.2103	HY50C465	EFPROM64*16, serial	0	R 41	57.11.3561	560R	MF, 1%, 0207		
0	C 24	59.06.0104	100n	PETP, 63V, 10%, RMS		0	IC 24	50.17.0573	74HCT573	IC ... 74 HCT573 , A	0	R 2	57.88.4102	8*1k	2%, SIP 9		
0	C 25	59.06.0103	10n	PETP, 63V, 10%, RMS		0	IC 25	50.63.0009	60C852	8bit microcontroller	0	R 2	57.88.4102	8*1k	2%, SIP 9		
0	C 26	59.06.0104	100n	PETP, 63V, 10%, RMS		0	IC 26	50.17.1589	74HC589	MC 74 HC 589 N	0	R 3	57.88.4102	8*1k	2%, SIP 9		
0	C 27	59.06.0104	100n	PETP, 63V, 10%, RMS		0	IC 27	50.17.1589	74HC589	MC 74 HC 589 N	0	R 4	57.88.4102	8*1k	2%, SIP 9		
0	C 28	not used	100n	PETP, 63V, 10%, RMS		0	IC 28	50.15.0114	6937	Dual diff Line Receiver	0	R 5	57.88.4102	8*1k	2%, SIP 9		
0	C 29	not used	100n	PETP, 63V, 10%, RMS		0	IC 29	50.17.1904	74HCU04	IC ... 74 HCU 04 , A	0	R 2	57.88.4102	8*1k	2%, SIP 9		
0	C 30	59.32.4102	1n	C 1000 P, 20%, 50V, CER		0	IC 30	50.11.0159	MAX1232	IC MAX 1232 CPA, DS 1232	0	R 2	57.88.4333	8*33k	2%, SIP 9		
0	C 31	59.32.4102	1n	C 1000 P, 20%, 50V, CER		0	L 1	62.02.3100	10uH	L 10 u, 10%, RAD., RM 5	0	S 1	55.11.0202	SPST	Toggle on - none - on		
0	C 32	59.32.4102	1n	C 1000 P, 20%, 50V, CER		0	L 2	62.02.3100	10uH	L 10 u, 10%, RAD., RM 5	0	S 2	55.03.0122	1*a	S 1 TASTE, 1*A, PRINT,IMPULS		
0	C 33	59.06.0104	100n	PETP, 63V, 10%, RMS		0	L 3	62.02.3220	22uH	L 22 u, 10%, RAD., RM 5	0	T 1	63.15.0021		RF - Trafo		
0	C 34	59.22.8100	10u	EL 35V, 20%, RMS		0	L 4	62.02.3100	10uH	L 10 u, 10%, RAD., RM 5	0	T 2	63.15.0021		RF - Trafo		
0	C 35	59.06.0103	10n	PETP, 63V, 10%, RMS		0	L 5	62.03.0001	10uH	1A Toroid Choke	0	T 3	not used		IMPULSTRANSFORMATOR		
0	C 36	59.22.4221	220u	EL 16V, 20%, RMS		0	L 6	62.02.3100	10uH	L 10 u, 10%, RAD., RM 5	0	W 1	1.0*0.324.64	Wire	DRAHTBRUECKE U, 4.3*10.2, 0.6		
0	C 37	59.06.0683	68n	PETP, 63V, 10%, RMS		0	L 7	62.02.3100	10uH	L 10 u, 10%, RAD., RM 5	0	W 2	1.0*0.324.64	Wire	DRAHTBRUECKE U, 4.3*10.2, 0.6		
0	C 38	59.06.0683	68n	PETP, 63V, 10%, RMS		0	MP 1	1.940.520.11		D19M MADO PCB	0	XD1 1	50.20.2501	Spacer	LED-Sockel		
0	C 39	59.06.0683	68n	PETP, 63V, 10%, RMS		0	MP 2	1.010.057.43		Baugruppenschild	0	XD2 2	50.20.2501	Spacer	LED-Sockel		
0	C 40	59.22.4221	220u	EL 16V, 20%, RMS		0	MP 3	43.01.0108	Label	ESE-WARNschild	0	XF 1	53.03.0118		XF 5 * 20, PRINT-LIEGEND		
0	C 41	59.06.0103	10n	PETP, 63V, 10%, RMS		0	MP 4	1.101.001.20	Label	TEXT ETIK 5*20 HARDWARE-23	0	XIC 1	53.03.0169	8p	DIL 0.3", lot, gerade		
0	C 42	59.06.0683	68n	PETP, 63V, 10%, RMS		0	MP 5	1.010.117.51	Spacer	TEXT-ETIK 5*20 (11.60A)	0	XIC 2	53.03.0162	24p	DIL 0.3", lot, gerade		
0	C 43	59.06.0104	100n	PETP, 63V, 10%, RMS		0	MP 6	1.010.015.50	Spacer	ISOLIER-SCHIEBE ZU 6	0	XIC 3	53.03.2252	PLCC32p	PLCC-Socket 52p		
0	C 44	59.06.0104	100n	PETP, 63V, 10%, RMS		0	MP 7	1.010.015.50	Spacer	QUARZ - SOLIERPLATTE	0	XIC 4	53.03.0165	20p	DIL 0.3", lot, gerade		
0	C 45	59.22.8100	10u	EL 35V, 20%, RMS		0	MP 8	89.01.1499	3 pcs	FRONTPLATTE	0	XIC 5	53.03.0165	20p	DIL 0.3", lot, gerade		
0	C 46	not used	47n	PETP, 63V, 10%, RMS		0	MP 9	1.940.530.01	1 pce	GRIFFEINLAGE 4TE	0	XIC 6	53.03.0165	20p	DIL 0.3", lot, gerade		
0	C 47	not used	1n	C 1000 P, 20%, 50V, CER		0	MP 10	49.02.0520	2 pcs	M2.5*2	0	XIC 7	53.03.0165	20p	DIL 0.3", lot, gerade		
0	C 48	59.06.0683	68n	PETP, 63V, 10%, RMS		0	MP 11	49.02.0521	2 pcs	M2.5*2	0	XIC 8	53.03.0168	16p	DIL 0.3", lot, gerade		
0	C 49	59.06.0683	68n	PETP, 63V, 10%, RMS		0	MP 12	49.02.0522	2 pcs	M2.5*2	0	XIC 9	53.03.0173	28p	DIL 0.6", lot, gerade		
0	C 50	59.06.0683	68n	PETP, 63V, 10%, RMS		0	MP 13	49.02.0523	2 pcs	M2.5*2	0	XIC 10	53.03.2244	PLCC44p	PLCC-Socket 44p		
0	C 51	59.06.0683	68n	PETP, 63V, 10%, RMS		0	MP 14	49.02.0524	2 pcs	M2.5*2	0	XIC 11	53.03.0165	8p	DIL 0.3", lot, gerade		
0	C 52	59.06.0683	68n	PETP, 63V, 10%, RMS		0	MP 15	49.02.0525	2 pcs	M2.5*2	0	XIC 12	53.03.0165	8p	DIL 0.3", lot, gerade		
0	C 53	59.06.0683	68n	PETP, 63V, 10%, RMS		0	MP 16	49.02.0526	2 pcs	M2.5*2	0	XIC 13	53.03.0165	8p	DIL 0.3", lot, gerade		
0	C 54	59.06.0103	10n	PETP, 63V, 10%, RMS		0	MP 17	21.53.0279	2 pcs	4TE	0	XIC 14	53.03.0168	16p	DIL 0.3", lot, gerade		
0	C 55	59.06.0103	10n	PETP, 63V, 10%, RMS		0	MP 18	21.53.0284	1 pce	4TE	0	XIC 15	53.03.0173	28p	DIL 0.6", lot, gerade		
0	C 56	59.34.2270	27p	CER 63V, 5%, N150		0	MP 19	28.99.0119	2 pcs	ROHRNIETE D 2.5*0.15" 9	0	XIC 16	53.03.0165	8p	DIL 0.3", lot, gerade		
0	C 57	59.34.0339	3p3	CER 63V, 5%, P100		0	P 1	54.11.2009	56p	EU-R 3132p	0	Y 1	89.01.1013	12.500MHz	12.500 000 MHz, HC 49/U		
0	C 58	59.06.0103	10n	PETP, 63V, 10%, RMS		0	P 2	54.02.0320	1p	Flatpin, 2.9*0.8mm	0	Y 2	89.01.1602	11.286MHz	TCXO Xtal-Oscillator temp comp		
0	C 59	59.22.6100	10u	EL 35V, 20%, RMS		0	P 3	54.02.0320	1p	Flatpin, 2.9*0.8mm	0	Y 3	89.01.1601	12.288MHz	TCXO Xtal-Oscillator temp comp		
0	C 60	59.06.0683	68n	PETP, 63V, 10%, RMS		0	P 4	54.01.0020	1p	Pin 0.63*0.63	0	Y 4	89.01.1014	12.000MHz	12.000 000 MHz, HC 49/U		
0	C 61	59.06.0683	68n	PETP, 63V, 10%, RMS		0	P 5	54.01.0020	1p	Pin 0.63*0.63	0	Y 5	89.01.1002	3.686MHz	3.686 400 MHz, HC 19/U		
0	C 62	59.06.0683	68n	PETP, 63V, 10%, RMS		0	P 6	54.02.0320	1p	Flatpin, 2.9*0.8mm	0						
0	C 63	59.06.0683	68n	PETP, 63V, 10%, RMS		0	P 7	54.02.0320	1p	Flatpin, 2.9*0.8mm	0						
0	C 64	59.06.0103	10n	PETP, 63V, 10%, RMS		0	P 8	54.02.0320	1p	Flatpin, 2.9*0.8mm	0						





Mado Optical 1.940.531.20



Rev. No.	1	2	3	4	5
Issue					
Author					
Checked					
Approved					
Date	27.09.1998	LC			
Drawn					
Checked					
Approved					
Copy to					
Keep a file:					
Number	1.940.531.20				



Mado Optical 1.940.531.20

Idx	Pos.	Part No.	Qty.	Type/Val.	Description	Idx	Pos.	Part No.	Qty.	Type/Val.	Description
0	C 1	59.60.3337	100n		CER 50V, 10%, X7R, 0805	0	IC 10	50.62.1904		74HCU04	Hex inverter unbuffered
0	C 2	59.68.0065	10u		C-EL 16V, 4.0*5.7	0	IC 11	1.940.947.20			SW 520 TAXIREG (50.18.0101)
0	C 3	59.60.3337	100n		CER 50V, 10%, X7R, 0805	0	IC 12	50.63.4002		XC3030A-7	LCA 3000 / 3000 PLCC84
0	C 4	59.60.3337	100n		CER 50V, 10%, X7R, 0805	0	IC 13	50.63.1702		CY7C130	Dualport SRAM, 1K*8
0	C 5	59.60.3337	100n		CER 50V, 10%, X7R, 0805	0	IC 14	50.17.1594		74HC594	IC ... 74 HC 594 .. A
0	C 6	59.60.3337	100n		CER 50V, 10%, X7R, 0805	0	IC 15	50.63.1502		8264	SRAM 8K*8, 120ns
0	C 7	59.68.0065	10u		C-EL 16V, 4.0*5.7	0	IC 16	1.940.946.21			SW 520 MADIOUT (50.14.1501)
0	C 8	59.60.2239	39p		CER 50V, 5%, C0G, 0603	0	IC 17	50.62.1574		74HC574	Octal D-FF
0	C 9	59.60.3337	100n		CER 50V, 10%, X7R, 0805	0	IC 18	50.62.3573		74HCT573	Octal D-type latch
0	C 10	59.68.0065	10u		C-EL 16V, 4.0*5.7	0	IC 19	50.17.5852		74AC652	Octal Bus Reg/Transceiver
0	C 11	59.60.3325	10n		CER 50V, 10%, X7R, 0805	0	IC 20	50.14.1009		7C128A	SRAM 2K*8 35ns
0	C 12	59.68.0065	10u		C-EL 16V, 4.0*5.7	0	IC 21	1.940.946.20			SW 520 MADO (50.14.2002)
0	C 13	59.60.3325	10n		CER 50V, 10%, X7R, 0805	0	IC 22	50.62.1595		74HC595	8bit shift/output register
0	C 14	59.68.0065	10u		C-EL 16V, 4.0*5.7	0	IC 23	50.62.1004		74HC 04	Hex inverter
0	C 15	59.60.2239	39p		CER 50V, 5%, C0G, 0603	0	IC 24	50.62.0913		CS8412	AES-Receiver
0	C 16	59.60.2239	39p		CER 50V, 5%, C0G, 0603	0	IC 25	50.17.1589		74HC589	MC 74 HC 589 N
0	C 17	59.60.3337	100n		CER 50V, 10%, X7R, 0805	0	IC 26	50.63.0009		80C852	MPU 8bit
0	C 18	59.60.3337	100n		CER 50V, 10%, X7R, 0805	0	IC 27	50.63.1108		93C46	EEPROM 64*16, SO 8
0	C 19	59.60.3325	10n		CER 50V, 10%, X7R, 0805	0	IC 28	50.62.0464		DS34C37	4*RS 422 Line Driver
0	C 20	59.60.3325	10n		CER 50V, 10%, X7R, 0805	0	IC 29	50.16.0201		SCC2691	IC SCC 2691 AE 1 N 24 .. A
0	C 21	59.60.3337	100n		CER 50V, 10%, X7R, 0805	0	IC 30	50.15.0128		34C86	IC DS 34 C 86 TN, MC34C86P .. A
0	C 22	59.60.3325	10n		CER 50V, 10%, X7R, 0805	0	IC 31	50.17.8541		74BCT541	Octal Buffer, tri
0	C 23	59.60.3325	10n		CER 50V, 10%, X7R, 0805	0	IC 32	50.62.0464		DS34C37	4*RS 422 Line Driver
0	C 24	59.60.3337	100n		CER 50V, 10%, X7R, 0805	0	IC 33	50.17.8574		74BCT574	Octal D-Type FF, tri
0	C 25	59.60.3337	100n		CER 50V, 10%, X7R, 0805	0	IC 34	50.15.0127		34C87	IC DS 34 C 87 TN, MC34C87P .. A
0	C 26	59.60.3337	100n		CER 50V, 10%, X7R, 0805	0	IC 35	50.17.1589		74HC589	MC 74 HC 589 N
0	C 27	59.60.3337	100n		CER 50V, 10%, X7R, 0805	0	IC 36	50.17.8574		74BCT574	Octal D-Type FF, tri
0	C 28	59.60.3337	100n		CER 50V, 10%, X7R, 0805						
0	C 29	59.60.3337	100n		CER 50V, 10%, X7R, 0805	0	L 1	62.60.0902			SMD Wideband choke
0	C 30	59.60.3337	100n		CER 50V, 10%, X7R, 0805	0	L 2	62.60.0113		10uH	10%, SMD 1210
0	C 31	59.60.3337	100n		CER 50V, 10%, X7R, 0805	0	L 3	not used			SMD Wideband choke
0	C 32	59.60.3337	100n		CER 50V, 10%, X7R, 0805	0	L 4	62.03.0001		10uH	1A Toroid Chocke
0	C 33	59.60.3337	100n		CER 50V, 10%, X7R, 0805	0	L 5	62.03.0001		10uH	1A Toroid Chocke
0	C 34	59.60.3337	100n		CER 50V, 10%, X7R, 0805	0	L 6	62.60.0125		100uH	10%, SMD 1210
0	C 35	59.68.0065	10u		C-EL 16V, 4.0*5.7	0	L 7	not used		22uH	10%, SMD 1210
0	C 36	59.60.3337	100n		CER 50V, 10%, X7R, 0805						
0	C 37	59.60.3337	100n		CER 50V, 10%, X7R, 0805	0	MP 1	1.940.531.11			MADO optical PCB
0	C 38	59.60.3337	100n		CER 50V, 10%, X7R, 0805	0	MP 2	1.940.531.04			TYPENSCHILD
0	C 39	59.60.3325	10n		CER 50V, 10%, X7R, 0805	0	MP 3	43.01.0108		Label	ESE-WARNSCHILD
0	C 40	59.60.2235	27p		CER 50V, 5%, C0G, 0603	0	MP 8	89.01.1499	2 pcs		QUARZ - ISOLIERPLATTE
0	C 41	59.60.3333	47n		CER 50V, 10%, X7R, 0805	0	MP 10	1.940.531.01	1 pce		Frontplatte
0	C 42	59.60.3325	10n		CER 50V, 10%, X7R, 0805	0	MP 11	1.940.800.04	1 pce		GRIFFEINLAGE 4TE
0	C 43	59.60.2235	27p		CER 50V, 5%, C0G, 0603	0	MP 12	49.02.0520	2 pcs	M2.5*12	Rändelschraube (Rack)
0	C 44	59.60.3337	100n		CER 50V, 10%, X7R, 0805	0	MP 13	49.02.0521	2 pcs		Metall-Buchse (Rack)
0	C 45	59.60.3337	100n		CER 50V, 10%, X7R, 0805	0	MP 14	49.02.0522	2 pcs		Kartenhalter (Rack)
0	C 46	59.60.3337	100n		CER 50V, 10%, X7R, 0805	0	MP 15	49.02.0523	1 pce	M2.5*7	Senk-Schr, KS, Sankripp
0	C 47	59.60.3337	100n		CER 50V, 10%, X7R, 0805	0	MP 16	49.02.0504	1 pce	4TE	Frontplatten-Griff
0	C 48	59.60.2225	10p		CER 50V, 5%, C0G, 0603	0	MP 17	21.53.0279	2 pcs	M2.5*6	Z-Schraube Inbus Zn gb chr
0	C 49	59.60.2225	10p		CER 50V, 5%, C0G, 0603	0	MP 18	21.53.0284	1 pce	M2.5*16	Z-Schraube Inbus Zn gb chr
0	C 50	59.60.3337	100n		CER 50V, 10%, X7R, 0805	0	MP 19	28.99.0119	2 pcs		ROHRNIETE D 2.5*0.15* 9
0	C 51	59.60.3317	2n2		CER 50V, 10%, X7R, 0805						
0	C 52	59.60.2249	100p		CER 50V, 5%, C0G, 0603	0	P 1	54.11.2009	96p		EU-R 3*32p
0	C 53	59.60.2249	100p		CER 50V, 5%, C0G, 0603	0	P 2	not used		1p	Pin 0.63*0.63
0	C 54	59.60.3337	100n		CER 50V, 10%, X7R, 0805	0	P 3	not used		1p	Pin 0.63*0.63
0	C 55	59.60.3337	100n		CER 50V, 10%, X7R, 0805	0	P 4	not used		1p	Pin 0.63*0.63
0	C 56	59.60.3337	100n		CER 50V, 10%, X7R, 0805						
0	C 57	59.60.3337	100n		CER 50V, 10%, X7R, 0805	0	Q 1	50.60.1050		BC807-25	PNP 45V 800mA SOT 23
0	C 58	59.60.3337	100n		CER 50V, 10%, X7R, 0805	0	Q 2	50.60.1050		BC807-25	PNP 45V 800mA SOT 23
0	C 59	59.60.3337	100n		CER 50V, 10%, X7R, 0805						
0	C 60	59.60.3337	100n		CER 50V, 10%, X7R, 0805	0	R 1	57.60.1102		1K	MF, 1%, 0204, E24
0	C 61	59.60.2249	100p		CER 50V, 5%, C0G, 0603	0	R 2	57.60.1102		1K	MF, 1%, 0204, E24
0	C 62	59.60.2249	100p		CER 50V, 5%, C0G, 0603	0	R 3	not used		0R0	MF, 0204
0	C 63	59.68.0069	47u		C-EL 16V, 6.3*5.7	0	R 4	not used		0R0	MF, 0204
0	C 64	59.60.3337	100n		CER 50V, 10%, X7R, 0805	0	R 5	57.69.1073		1k0	CF 5% 0603
0	C 65	59.60.3337	100n		CER 50V, 10%, X7R, 0805	0	R 6	57.60.1131		130R	MF, 1%, 0204, E24
0	C 66	59.60.3337	100n		CER 50V, 10%, X7R, 0805	0	R 7	57.60.1820		82R	MF, 1%, 0204, E24
						0	R 8	57.60.1820		82R	MF, 1%, 0204, E24
						0	R 9	57.60.1131		130R	MF, 1%, 0204, E24
0	D 1	50.60.8101	BAS85		200mA 30V Schottky SOD 80	0	R 10	57.69.1073		1k0	CF 5% 0603
0	D 2	50.60.8101	BAS85		200mA 30V Schottky SOD 80	0	R 11	57.60.1222		2K2	MF, 1%, 0204, E24
0	D 3	50.60.8101	BAS85		200mA 30V Schottky SOD 80	0	R 12	57.60.1222		2K2	MF, 1%, 0204, E24
0	D 4	50.60.8101	BAS85		200mA 30V Schottky SOD 80	0	R 13	57.69.1073		1k0	CF 5% 0603
0	D 5	50.60.8101	BAS85		200mA 30V Schottky SOD 80	0	R 14	57.69.1073		1k0	CF 5% 0603
0	D 6	50.60.8001	4448		200mA 75V 4ns SOD 80	0	R 15	57.69.1073		1k0	CF 5% 0603
0	D 7	50.60.8001	4448		200mA 75V 4ns SOD 80	0	R 16	57.69.1073		1k0	CF 5% 0603
0	DL 1	50.04.2202	HLMP1790		DL HLMP - 1790 GN	0	R 17	57.69.1073		1k0	CF 5% 0603
0	DL 2	50.04.2202	HLMP1790		DL HLMP - 1790 GN	0	R 18	57.69.1073		1k0	CF 5% 0603
						0	R 19	57.69.1073		1k0	CF 5% 0603
0	IC 1	50.11.0159	MAX1232		IC MAX 1232 CPA, DS 1232	0	R 20	57.69.1073		1k0	CF 5% 0603
0	IC 2	not used	HFBR5105		LWL Transceiver FDDI/MADI	0	R 21	50.60.1561		560R	MF, 1%, 0204, E24
0	IC 3	not used	HFBR5105		LWL Transceiver FDDI/MADI	0	R 22	57.69.1073		1k0	CF 5% 0603
0	IC 4	89.10.0022	HFBR11E5		LWL Transmitter FDDI	0	R 23	57.60.1473		47K	MF, 1%, 0204, E24
0	IC 5	not used	HFBR11E5		LWL Transmitter FDDI	0	R 24	57.60.1561		560R	MF, 1%, 0204, E24
0	IC 6	50.63.0204	AM7968		TAXI Chip Transmitter	0	R 25	57.60.1223		22K	MF, 1%, 0204, E24
0	IC 7	89.01.1802	11.2896MHz		TCXO Xtal-Oscillator temp comp	0	R 26	57.60.1223		22K	MF, 1%, 0204, E24
0	IC 8	89.01.1601	12.288MHz		TCXO Xtal-Oscillator temp comp	0	R 27	57.60.1473		47K	MF, 1%, 0204, E24
0	IC 9	50.62.0910	CS8402A		Dig audio interface transmitt	0	R 28	57.69.1073		1k0	CF 5% 0603



Mado Optical I.940.531.20

Idx	Pos.	Part No.	Qty.	Type/Val.	Description	Idx	Pos.	Part No.	Qty.	Type/Val.	Description
0	R 29	57.69.1073		1k0	CF 5% 0603	0	R 90	57.69.1097		10k	CF 5% 0603
0	R 30	57.69.1073		1k0	CF 5% 0603	0	R 91	57.69.1097		10k	CF 5% 0603
0	R 31	57.69.1073		1k0	CF 5% 0603	0	R 92	57.69.1097		10k	CF 5% 0603
0	R 32	57.69.1073		1k0	CF 5% 0603	0	R 93	57.69.1097		10k	CF 5% 0603
0	R 33	57.69.1073		1k0	CF 5% 0603	0	R 94	57.69.1097		10k	CF 5% 0603
0	R 34	57.69.1073		1k0	CF 5% 0603	0	R 95	57.69.1097		10k	CF 5% 0603
0	R 35	not used		1k0	CF 5% 0603	0	R 96	57.69.1097		10k	CF 5% 0603
0	R 36	57.69.1073		1k0	CF 5% 0603	0	R 97	57.92.7051		1.1A	POLY- PTC, 30V
0	R 37	57.69.1097		10k	CF 5% 0603	0	R 98	57.92.7051		1.1A	POLY- PTC, 30V
0	R 38	57.69.1073		1k0	CF 5% 0603						
0	R 39	57.69.1073		1k0	CF 5% 0603	0	S 1	55.11.0202		SPDT	Toggle on - none - on
0	R 40	57.69.1073		1k0	CF 5% 0603	0	S 2	55.60.0201		1*s	SMD Tactswitch
0	R 41	57.69.1073		1k0	CF 5% 0603						
0	R 42	57.69.1073		1k0	CF 5% 0603	0	T 1	1.022.647.00		1:1.4	OUTPUT TRAF0 AES/EBU
0	R 43	57.69.1073		1k0	CF 5% 0603	0	T 2	1.022.647.00		1:1.4	OUTPUT TRAF0 AES/EBU
0	R 44	57.69.1073		1k0	CF 5% 0603	0	T 3	1.022.632.00		1:1	DI/DO TRANSFORMER
0	R 45	57.69.1097		10k	CF 5% 0603	0	T 4	1.022.647.00		1:1.4	OUTPUT TRAF0 AES/EBU
0	R 46	57.69.1097		10k	CF 5% 0603	0	T 5	1.022.647.00		1:1.4	OUTPUT TRAF0 AES/EBU
0	R 47	57.69.1097		10k	CF 5% 0603						
0	R 48	57.69.1073		1k0	CF 5% 0603	0	TP 1	54.33.6010		2.8*0.8	PCB-Flachstecker, gerade
0	R 49	57.69.1073		1k0	CF 5% 0603	0	TP 2	54.33.6010		2.8*0.8	PCB-Flachstecker, gerade
0	R 50	57.69.1073		1k0	CF 5% 0603						
0	R 51	57.69.1073		1k0	CF 5% 0603	0	XDL 1	50.20.2501		Spacer	LED-Sockel
0	R 52	57.69.1073		1k0	CF 5% 0603	0	XDL 2	50.20.2501		Spacer	LED-Sockel
0	R 53	57.69.1073		1k0	CF 5% 0603						
0	R 54	57.69.1073		1k0	CF 5% 0603	0	XIC 11	53.03.0182		24p	DIL 0.3", lot, gerade
0	R 55	57.69.1073		1k0	CF 5% 0603	0	XIC 16	53.03.0166		8p	DIL 0.3", lot, gerade
0	R 56	57.69.1073		1k0	CF 5% 0603	0	XIC 21	53.03.0173		28p	DIL 0.6", lot, gerade
0	R 57	57.69.1073		1k0	CF 5% 0603						
0	R 58	57.69.1073		1k0	CF 5% 0603	0	Y 1	89.01.1013		12.500MHz	12.500 000 MHz, HC 49/U
0	R 59	57.69.1097		10k	CF 5% 0603	0	Y 2	89.60.1003		12.000MHz	SMD Quartz
0	R 60	57.69.1073		1k0	CF 5% 0603	0	Y 3	89.01.1002		3.686MHz	3.686 400 MHz, HC 18/U
0	R 61	57.69.1073		1k0	CF 5% 0603						
0	R 62	57.60.1102		1K	MF, 1%, 0204, E24						
0	R 63	57.69.1073		1k0	CF 5% 0603						
0	R 64	57.69.1073		1k0	CF 5% 0603						
0	R 65	57.69.1073		1k0	CF 5% 0603						
0	R 66	57.69.1073		1k0	CF 5% 0603						
0	R 67	57.69.1073		1k0	CF 5% 0603						
0	R 68	57.69.1073		1k0	CF 5% 0603						
0	R 69	57.69.1097		10k	CF 5% 0603						
0	R 70	57.69.1097		10k	CF 5% 0603						
0	R 71	57.69.1097		10k	CF 5% 0603						
0	R 72	57.60.1220		22R	MF, 1%, 0204, E24						
0	R 73	57.60.1270		27R	MF, 1%, 0204, E24						
0	R 74	57.60.1220		22R	MF, 1%, 0204, E24						
0	R 75	57.60.1270		27R	MF, 1%, 0204, E24						
0	R 76	57.60.1105		1M	MF, 1%, 0204, E24						
0	R 77	57.60.1000		0R0	MF, 0204						
0	R 78	57.60.1221		220R	MF, 1%, 0204, E24						
0	R 79	not used		470R	MF, 1%, 0204, E24						
0	R 80	57.60.1221		220R	MF, 1%, 0204, E24						
0	R 81	57.69.1073		1k0	CF 5% 0603						
0	R 82	57.69.1073		1k0	CF 5% 0603						
0	R 83	57.69.1073		1k0	CF 5% 0603						
0	R 84	57.69.1073		1k0	CF 5% 0603						
0	R 85	57.60.1220		22R	MF, 1%, 0204, E24						
0	R 86	57.60.1270		27R	MF, 1%, 0204, E24						
0	R 87	57.60.1220		22R	MF, 1%, 0204, E24						
0	R 88	57.60.1270		27R	MF, 1%, 0204, E24						
0	R 89	57.69.1097		10k	CF 5% 0603						

End of List

Comments

MADO optical dual output 1.940.532.20 (0)

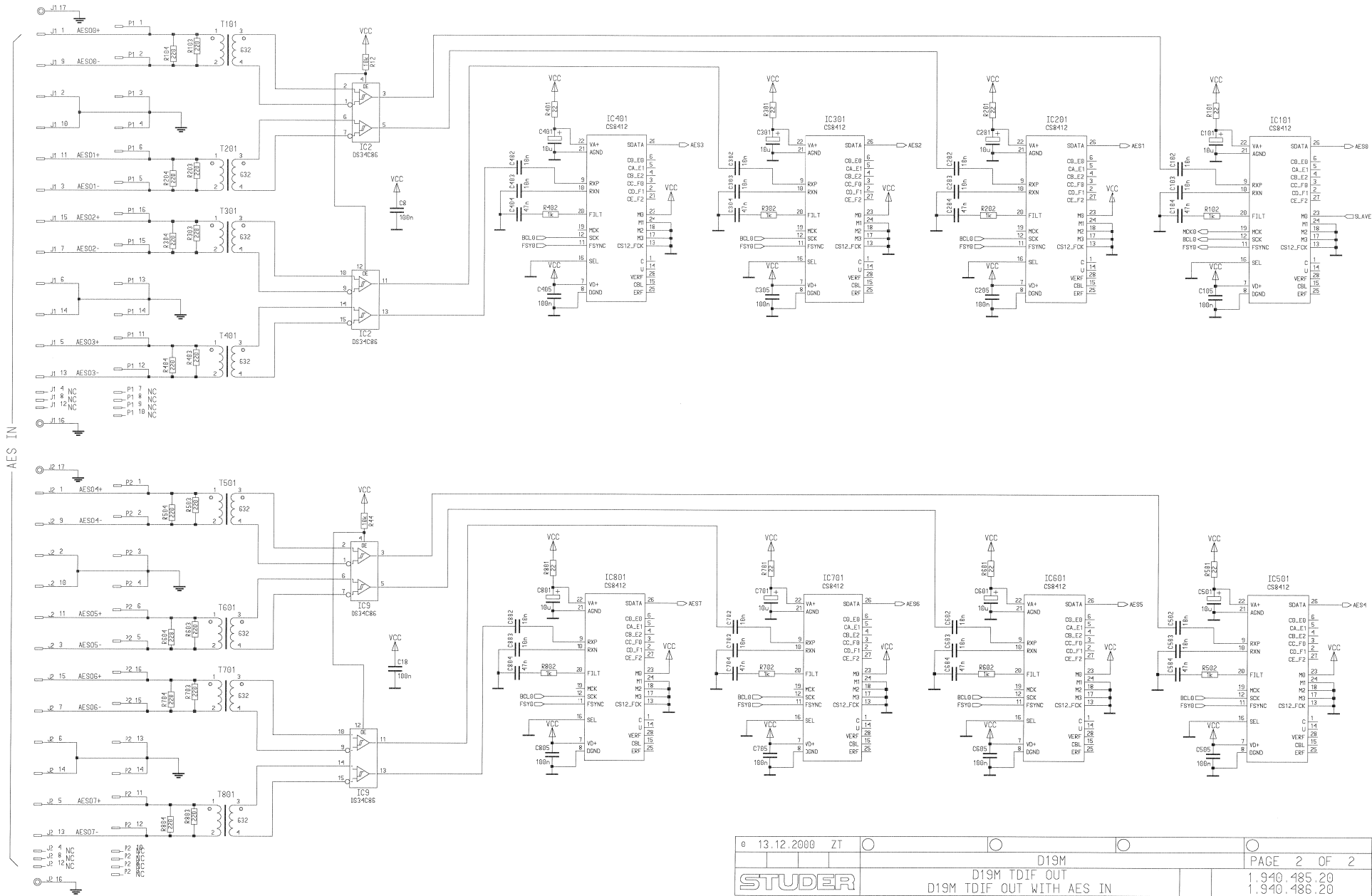
Idx. Pos.	Part No.	Qty.	Type/Val.	Description	Idx. Pos.	Part No.	Qty.	Type/Val.	Description
0 C 1	59.60.3337	100n		CER 50V, 10%, X7R, 0805	0 IC 13	50.63.1702		CY7C130	Dualport SRAM, 1K*8
0 C 2	59.68.0065	10u		EL 16V, 4.0*5.7	0 IC 14	50.17.1594		74HC594	IC ... 74 HC 594 .. ,A
0 C 3	59.60.3337	100n		CER 50V, 10%, X7R, 0805	0 IC 15	50.63.1502		6264	SRAM 8K*8, 120ns
0 C 4	59.60.3337	100n		CER 50V, 10%, X7R, 0805	0 IC 16	1.940.946.21			SW 520 MADIOUT (50.14.1501)
0 C 5	59.60.3337	100n		CER 50V, 10%, X7R, 0805	0 IC 17	50.62.1574		74HC574	Octal D-FF
0 C 6	59.60.3337	100n		CER 50V, 10%, X7R, 0805	0 IC 18	50.62.3573		74HCT573	Octal D-type latch
0 C 7	59.68.0065	10u		EL 16V, 4.0*5.7	0 IC 19	50.17.5652		74AC652	Octal Bus Reg/Transceiver
0 C 8	59.60.2239	39p		CER 50V, 5%, C0G, 0603	0 IC 20	50.14.1009		7C128A	SRAM 2K*8 35ns
0 C 9	59.60.3337	100n		CER 50V, 10%, X7R, 0805	0 IC 21	1.940.945.20			SW 520 MADO (50.14.2002)
0 C 10	59.68.0065	10u		EL 16V, 4.0*5.7	0 IC 22	50.62.1595		74HC595	8bit shift/output register
0 C 11	59.60.3325	10n		CER 50V, 10%, X7R, 0805	0 IC 23	50.62.1004		74HC 04	Hex inverter
0 C 12	59.68.0065	10u		EL 16V, 4.0*5.7	0 IC 24	50.62.0913		CS8412	AES-Receiver
0 C 13	59.60.3325	10n		CER 50V, 10%, X7R, 0805	0 IC 25	50.17.1589		74HC589	MC 74 HC 589 N
0 C 14	59.68.0065	10u		EL 16V, 4.0*5.7	0 IC 26	50.63.0009		80C652	MPU 8bit
0 C 15	59.60.2239	39p		CER 50V, 5%, C0G, 0603	0 IC 27	50.63.1108		93C46	EEPROM 64*16, SO 8
0 C 16	59.60.2239	39p		CER 50V, 5%, C0G, 0603	0 IC 28	50.62.0464		DS34C87	*4RS 422 Line Driver
0 C 17	59.60.3337	100n		CER 50V, 10%, X7R, 0805	0 IC 29	50.16.0201		SCC2691	IC SCC 2691 AE 1 N 24 ,A
0 C 18	59.60.3337	100n		CER 50V, 10%, X7R, 0805	0 IC 30	50.15.0128		34C86	IC DS 34 C 86 TN, MC34C86P ,A
0 C 19	59.60.3325	10n		CER 50V, 10%, X7R, 0805	0 IC 31	50.17.8541		74BCT541	Octal Buffer, tri
0 C 20	59.60.3325	10n		CER 50V, 10%, X7R, 0805	0 IC 32	50.62.0464		DS34C87	*4RS 422 Line Driver
0 C 21	59.60.3337	100n		CER 50V, 10%, X7R, 0805	0 IC 33	50.17.8574		74BCT574	Octal D-Type FF, tri
0 C 22	59.60.3325	10n		CER 50V, 10%, X7R, 0805	0 IC 34	50.15.0127		34C87	IC DS 34 C 87 TN, MC34C87P ,A
0 C 23	59.60.3325	10n		CER 50V, 10%, X7R, 0805	0 IC 35	50.17.1589		74HC589	MC 74 HC 589 N
0 C 24	59.60.3337	100n		CER 50V, 10%, X7R, 0805	0 IC 36	50.17.8574		74BCT574	Octal D-Type FF, tri
0 C 25	59.60.3337	100n		CER 50V, 10%, X7R, 0805	0 L 1	62.60.0902			SMD Wideband choke
0 C 26	59.60.3337	100n		CER 50V, 10%, X7R, 0805	0 L 2	62.60.0113	10uH		SMD 10% 1210
0 C 27	59.60.3337	100n		CER 50V, 10%, X7R, 0805	0 L 3	62.60.0902			SMD Wideband choke
0 C 28	59.60.3337	100n		CER 50V, 10%, X7R, 0805	0 L 4	62.03.0001	10uH		1A Toroid Chocke
0 C 29	59.60.3337	100n		CER 50V, 10%, X7R, 0805	0 L 5	62.03.0001	10uH		1A Toroid Chocke
0 C 30	59.60.3337	100n		CER 50V, 10%, X7R, 0805	0 L 6	62.60.0125	100uH		SMD 10% 1210
0 C 31	59.60.3337	100n		CER 50V, 10%, X7R, 0805	0 L 7	not used	22uH		SMD 10% 1210
0 C 32	59.60.3337	100n		CER 50V, 10%, X7R, 0805	0 MP 1	1.940.531.11			MADO optical PCB
0 C 33	59.60.3337	100n		CER 50V, 10%, X7R, 0805	0 MP 2	1.940.532.04			TYPENSCHILD
0 C 34	59.60.3337	100n		CER 50V, 10%, X7R, 0805	0 MP 3	43.01.0108		Label	ESE-WARNschild
0 C 35	59.68.0065	10u		EL 16V, 4.0*5.7	0 MP 8	89.01.1499 2 pcs			QUARZ - ISOLIERPLATTE
0 C 36	59.60.3337	100n		CER 50V, 10%, X7R, 0805	0 MP 10	1.940.532.01 1 pce			Frontplatte MADO opt dual out
0 C 37	59.60.3337	100n		CER 50V, 10%, X7R, 0805	0 MP 11	1.940.600.04 1 pce			GRIFFEINLAGE 4TE
0 C 38	59.60.3337	100n		CER 50V, 10%, X7R, 0805	0 MP 12	49.02.0520 2 pcs	M2.5*12		Rändelschraube (Rack)
0 C 39	59.60.3325	10n		CER 50V, 10%, X7R, 0805	0 MP 13	49.02.0521 2 pcs			Metall-Buchse (Rack)
0 C 40	59.60.2235	27p		CER 50V, 5%, C0G, 0603	0 MP 14	49.02.0522 2 pcs			Kartenhalter mit Z-Schr
0 C 41	59.60.3333	47n		CER 50V, 10%, X7R, 0805	0 MP 15	49.02.0523 1 pce	M2.5*7		Senk-Schr, KS, Senkripp
0 C 42	59.60.3325	10n		CER 50V, 10%, X7R, 0805	0 MP 16	49.02.0504 1 pce	4TE		Frontplatten-Griff
0 C 43	59.60.2235	27p		CER 50V, 5%, C0G, 0603	0 MP 17	21.53.0279 2 pcs	M2.5*6		Z-Schraube Inbus Zn gb chr
0 C 44	59.60.3337	100n		CER 50V, 10%, X7R, 0805	0 MP 18	21.53.0284 1 pce	M2.5*16		Z-Schraube Inbus Zn gb chr
0 C 45	59.60.3337	100n		CER 50V, 10%, X7R, 0805	0 MP 19	28.99.0119 2 pcs			ROHRNIETE D 2.5*0.15* 9
0 C 46	59.60.3337	100n		CER 50V, 10%, X7R, 0805	0 P 1	54.11.2009	96p		EU-R 3*32p
0 C 47	59.60.3337	100n		CER 50V, 10%, X7R, 0805	0 P 2	not used	1p		Pin, 1reihig, gerade
0 C 48	59.60.2225	10p		CER 50V, 5%, C0G, 0603	0 P 3	not used	1p		Pin, 1reihig, gerade
0 C 49	59.60.2225	10p		CER 50V, 5%, C0G, 0603	0 P 4	not used	1p		Pin, 1reihig, gerade
0 C 50	59.60.3337	100n		CER 50V, 10%, X7R, 0805	0 Q 1	50.60.1050	BC807-25		PNP 45V 800mA SOT 23
0 C 51	59.60.3317	2n2		CER 50V, 10%, X7R, 0805	0 Q 2	50.60.1050	BC807-25		PNP 45V 800mA SOT 23
0 C 52	59.60.2249	100p		CER 50V, 5%, C0G, 0603	0 R 1	57.60.1102	1k0		MF, 1%, 0204, E24
0 C 53	59.60.2249	100p		CER 50V, 5%, C0G, 0603	0 R 2	57.60.1102	1k0		MF, 1%, 0204, E24
0 C 54	59.60.3337	100n		CER 50V, 10%, X7R, 0805	0 R 3	not used	0R0		MF, 0204
0 C 55	59.60.3337	100n		CER 50V, 10%, X7R, 0805	0 R 4	not used	0R0		MF, 0204
0 C 56	59.60.3337	100n		CER 50V, 10%, X7R, 0805	0 R 5	57.69.1073	1k0		CF 5% 0603
0 C 57	59.60.3337	100n		CER 50V, 10%, X7R, 0805	0 R 6	57.60.1131	130R		MF, 1%, 0204, E24
0 C 58	59.60.3337	100n		CER 50V, 10%, X7R, 0805	0 R 7	57.60.1820	82R		MF, 1%, 0204, E24
0 C 59	59.60.3337	100n		CER 50V, 10%, X7R, 0805	0 R 8	57.60.1820	82R		MF, 1%, 0204, E24
0 C 60	59.60.3337	100n		CER 50V, 10%, X7R, 0805	0 R 9	57.60.1131	130R		MF, 1%, 0204, E24
0 C 61	59.60.2249	100p		CER 50V, 5%, C0G, 0603	0 R 10	57.69.1073	1k0		CF 5% 0603
0 C 62	59.60.2249	100p		CER 50V, 5%, C0G, 0603	0 R 11	57.60.1222	2k2		MF, 1%, 0204, E24
0 C 63	59.68.0069	47u		EL 16V, 6.3*5.7	0 R 12	57.60.1222	2k2		MF, 1%, 0204, E24
0 C 64	59.60.3337	100n		CER 50V, 10%, X7R, 0805	0 R 13	57.69.1073	1k0		CF 5% 0603
0 C 65	59.60.3337	100n		CER 50V, 10%, X7R, 0805	0 R 14	57.69.1073	1k0		CF 5% 0603
0 C 66	59.60.3337	100n		CER 50V, 10%, X7R, 0805	0 R 15	57.69.1073	1k0		CF 5% 0603
0 D 1	50.60.8101	BAS85		200mA 30V Schottky SOD 80	0 R 16	57.69.1073	1k0		CF 5% 0603
0 D 2	50.60.8101	BAS85		200mA 30V Schottky SOD 80	0 R 17	57.69.1073	1k0		CF 5% 0603
0 D 3	50.60.8101	BAS85		200mA 30V Schottky SOD 80	0 R 18	57.69.1073	1k0		CF 5% 0603
0 D 4	50.60.8101	BAS85		200mA 30V Schottky SOD 80	0 R 19	57.69.1073	1k0		CF 5% 0603
0 D 5	50.60.8101	BAS85		200mA 30V Schottky SOD 80	0 R 20	57.69.1073	1k0		CF 5% 0603
0 D 6	50.60.8001	4448		200mA 75V 4ns SOD 80	0 R 21	57.60.1561	560R		MF, 1%, 0204, E24
0 D 7	50.60.8001	4448		200mA 75V 4ns SOD 80	0 R 22	57.69.1073	1k0		CF 5% 0603
0 DL 1	50.04.2202	HLMP1790		DL HLMP - 1790 GN	0 R 23	57.60.1473	47k		MF, 1%, 0204, E24
0 DL 2	50.04.2202	HLMP1790		DL HLMP - 1790 GN	0 R 24	57.60.1561	560R		MF, 1%, 0204, E24
0 IC 1	50.11.0159	MAX1232		IC MAX 1232 CPA, DS 1232	0 R 25	57.60.1223	22k		MF, 1%, 0204, E24
0 IC 2	not used	HFBR5103		LWL Transceiver FDDI/MADI	0 R 26	57.60.1223	22k		MF, 1%, 0204, E24
0 IC 3	not used	HFBR5103		LWL Transceiver FDDI/MADI	0 R 27	57.60.1473	47k		MF, 1%, 0204, E24
0 IC 4	89.10.0022	HFBR11E5		LWL Transmitter FDDI	0 R 28	57.69.1073	1k0		CF 5% 0603
0 IC 5	89.10.0022	HFBR11E5		LWL Transmitter FDDI	0 R 29	57.69.1073	1k0		CF 5% 0603
0 IC 6	50.63.0204	AM7968		TAXI Chip Transmitter	0 R 30	57.69.1073	1k0		CF 5% 0603
0 IC 7	89.01.1602	11.2896MHz		TCXO Xtal-Oscillator temp comp	0 R 31	57.69.1073	1k0		CF 5% 0603
0 IC 8	89.01.1601	12.288MHz		TCXO Xtal-Oscillator temp comp	0 R 32	57.69.1073	1k0		CF 5% 0603
0 IC 9	50.62.0910	CS8402A		Dig audio interface transmitt	0 R 33	57.69.1073	1k0		CF 5% 0603
0 IC 10	50.62.1904	74HCU04		Hex inverter unbuffered	0 R 34	57.69.1073	1k0		CF 5% 0603
0 IC 11	1.940.947.20			SW 520 TAXIREG (50.18.0101)	0 R 35	not used	1k0		CF 5% 0603
0 IC 12	50.63.4002	XC3030A-7		LCA 3000 / 3000 PLCC84	0 R 36	57.69.1073	1k0		CF 5% 0603

MADO optical dual output 1.940.532.20 (0)

Idx.	Pos.	Part No.	Qty.	Type/Val.	Description	Idx.	Pos.	Part No.	Qty.	Type/Val.	Description
0	R 37	57.69.1097		10k	CF 5% 0603						
0	R 38	57.69.1073		1k0	CF 5% 0603						
0	R 39	57.69.1073		1k0	CF 5% 0603						
0	R 40	57.69.1073		1k0	CF 5% 0603						
0	R 41	57.69.1073		1k0	CF 5% 0603						
0	R 42	57.69.1073		1k0	CF 5% 0603						
0	R 43	57.69.1073		1k0	CF 5% 0603						
0	R 44	57.69.1073		1k0	CF 5% 0603						
0	R 45	57.69.1097		10k	CF 5% 0603						
0	R 46	57.69.1097		10k	CF 5% 0603						
0	R 47	57.69.1097		10k	CF 5% 0603						
0	R 48	57.69.1073		1k0	CF 5% 0603						
0	R 49	57.69.1073		1k0	CF 5% 0603						
0	R 50	57.69.1073		1k0	CF 5% 0603						
0	R 51	57.69.1073		1k0	CF 5% 0603						
0	R 52	57.69.1073		1k0	CF 5% 0603						
0	R 53	57.69.1073		1k0	CF 5% 0603						
0	R 54	57.69.1073		1k0	CF 5% 0603						
0	R 55	57.69.1073		1k0	CF 5% 0603						
0	R 56	57.69.1073		1k0	CF 5% 0603						
0	R 57	57.69.1073		1k0	CF 5% 0603						
0	R 58	57.69.1073		1k0	CF 5% 0603						
0	R 59	57.69.1097		10k	CF 5% 0603						
0	R 60	57.69.1073		1k0	CF 5% 0603						
0	R 61	57.69.1073		1k0	CF 5% 0603						
0	R 62	57.60.1102		1k0	MF, 1%, 0204, E24						
0	R 63	57.69.1073		1k0	CF 5% 0603						
0	R 64	57.69.1073		1k0	CF 5% 0603						
0	R 65	57.69.1073		1k0	CF 5% 0603						
0	R 66	57.69.1073		1k0	CF 5% 0603						
0	R 67	57.69.1073		1k0	CF 5% 0603						
0	R 68	57.69.1073		1k0	CF 5% 0603						
0	R 69	57.69.1097		10k	CF 5% 0603						
0	R 70	57.69.1097		10k	CF 5% 0603						
0	R 71	57.69.1097		10k	CF 5% 0603						
0	R 72	57.60.1220		22R	MF, 1%, 0204, E24						
0	R 73	57.60.1270		27R	MF, 1%, 0204, E24						
0	R 74	57.60.1220		22R	MF, 1%, 0204, E24						
0	R 75	57.60.1270		27R	MF, 1%, 0204, E24						
0	R 76	57.60.1105		1M	MF, 1%, 0204, E24						
0	R 77	57.60.1000		0R0	MF, 0204						
0	R 78	57.60.1221		220R	MF, 1%, 0204, E24						
0	R 79	not used		470R	MF, 1%, 0204, E24						
0	R 80	57.60.1221		220R	MF, 1%, 0204, E24						
0	R 81	57.69.1073		1k0	CF 5% 0603						
0	R 82	57.69.1073		1k0	CF 5% 0603						
0	R 83	57.69.1073		1k0	CF 5% 0603						
0	R 84	57.69.1073		1k0	CF 5% 0603						
0	R 85	57.60.1220		22R	MF, 1%, 0204, E24						
0	R 86	57.60.1270		27R	MF, 1%, 0204, E24						
0	R 87	57.60.1220		22R	MF, 1%, 0204, E24						
0	R 88	57.60.1270		27R	MF, 1%, 0204, E24						
0	R 89	57.69.1097		10k	CF 5% 0603						
0	R 90	57.69.1097		10k	CF 5% 0603						
0	R 91	57.69.1097		10k	CF 5% 0603						
0	R 92	57.69.1097		10k	CF 5% 0603						
0	R 93	57.69.1097		10k	CF 5% 0603						
0	R 94	57.69.1097		10k	CF 5% 0603						
0	R 95	57.69.1097		10k	CF 5% 0603						
0	R 96	57.69.1097		10k	CF 5% 0603						
0	R 97	57.92.7051		1.1A	PTC 30V						
0	R 98	57.92.7051		1.1A	PTC 30V						
0	S 1	55.11.0202		SPDT	Toggle 1 * on-none-on						
0	S 2	55.60.0201		1*s	SMD Tactswitch						
0	T 1	1.022.647.00		1:1.4	OUTPUT TRAFO AES/EBU						
0	T 2	1.022.647.00		1:1.4	OUTPUT TRAFO AES/EBU						
0	T 3	1.022.632.00		1:1	DI/DO TRANSFORMER						
0	T 4	1.022.647.00		1:1.4	OUTPUT TRAFO AES/EBU						
0	T 5	1.022.647.00		1:1.4	OUTPUT TRAFO AES/EBU						
0	TP 1	54.33.6010		2.8*0.8	PCB-Flachstecker, gerade						
0	TP 2	54.33.6010		2.8*0.8	PCB-Flachstecker, gerade						
0	XDL 1	50.20.2501		Spacer	LED-Sockel						
0	XDL 2	50.20.2501		Spacer	LED-Sockel						
0	XIC 11	53.03.0182		24p	DIL 0.3", lötl, gerade						
0	XIC 16	53.03.0166		8p	DIL 0.3", lötl, gerade						
0	XIC 21	53.03.0173		28p	DIL 0.6", lötl, gerade						
0	Y 1	89.01.1013		12.500MHz	XTAL HC 49/U						
0	Y 2	89.60.1003		12.000MHz	SMD Quartz						
0	Y 3	89.01.1002		3.6864MHz	XTAL HC 18 U						

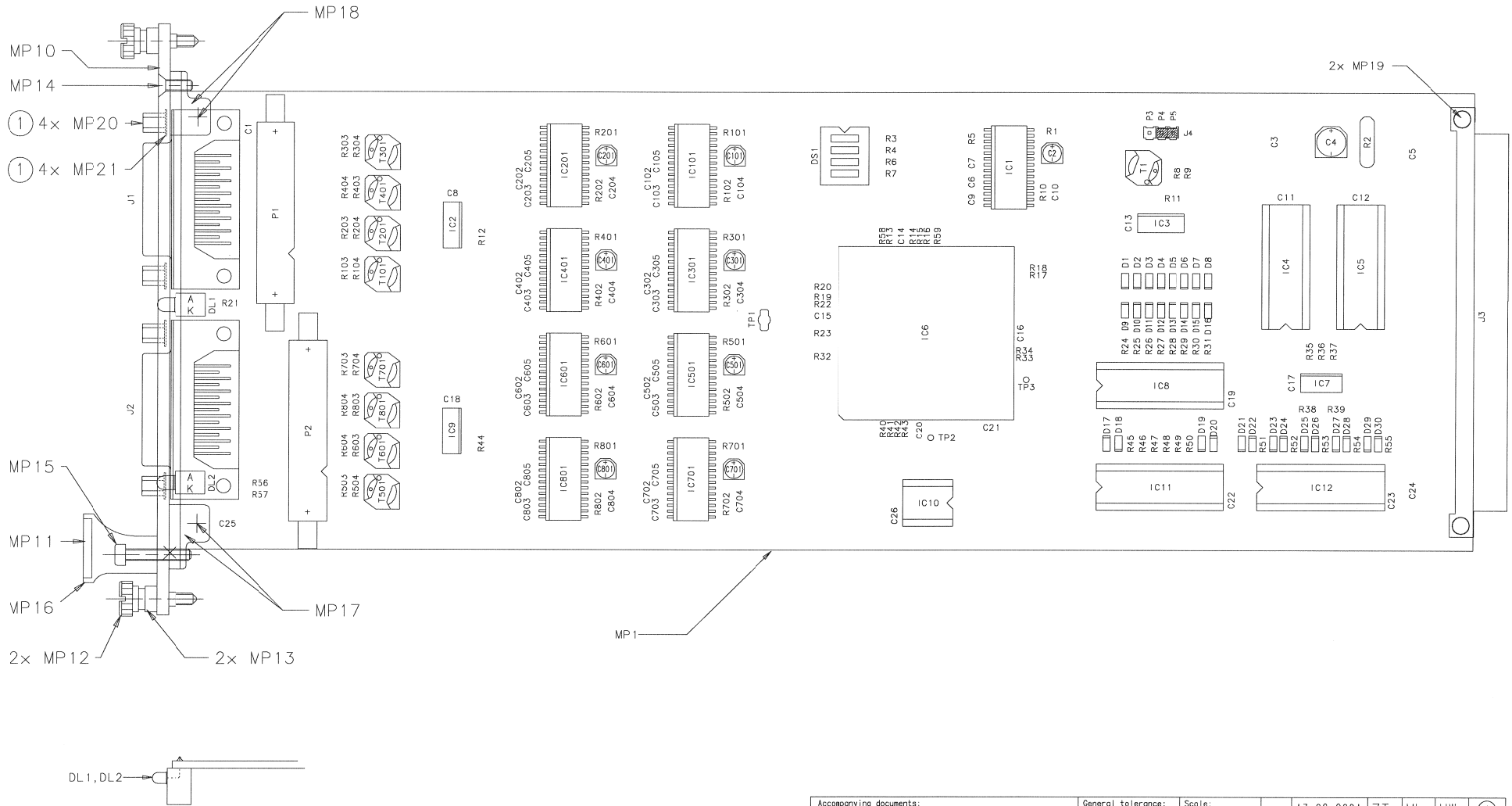
End of List

TDIF0, TDIF Interface 1.940.485.20 (0); TDIF Interface w. AES In 1.940.486.20 (0)



0 13.12.2000 ZT				
D19m		D19m TDIF OUT		PAGE 2 OF 2
STUDER		D19m TDIF OUT WITH AES IN		1.940.485.20 1.940.486.20

TDIFO, TDIF Interface 1.940.485.20 (0); TDIF Interface w. AES In 1.940.486.20 (0)



Accompanying documents: Zugehörige Unterlagen: PL	General tolerance: Freimasstoleranz:	Scale: Massstab:	Edition Ausgabs:	13.02.2001	ZT	ML	HW	①
Substitute for: Ersatz fuer:	1.940.485.20 / 486.20	Index 0	Date Datum:	1 / 1	Visa Gez.:	Checker Gepr.:	Seen Ges.:	Index
STUDER REGENSDORF	Description: Benennung: D19M TDIF OUT BOARD, ESE D19M TDIF OUT WITH AES IN BOARD, ESE		Number: Number:	1.940.485.20		1.940.486.20		

TDIFO, TDIF Out 1.940.485.20 (0)

Idx. Pos.	Part No.	Qty.	Type/Val.	Description
0 C 1	59.60.3337	1 pce	100n	CER 50V, 10%, X7R, 0805
0 C 2	not used	1 pce	10u	EL 16V, 4.0*5.7
0 C 3	59.60.3337	1 pce	100n	CER 50V, 10%, X7R, 0805
0 C 4	59.68.0069	1 pce	47u	EL 16V, 6.3*5.7
0 C 5	59.60.3337	1 pce	100n	CER 50V, 10%, X7R, 0805
0 C 6	not used	1 pce	10n	CER 50V, 10%, X7R, 0805
0 C 7	not used	1 pce	100n	CER 50V, 10%, X7R, 0805
0 C 8	not used	1 pce	100n	CER 50V, 10%, X7R, 0805
0 C 9	not used	1 pce	10n	CER 50V, 10%, X7R, 0805
0 C 10	not used	1 pce	47n	CER 50V, 10%, X7R, 0805
0 C 11	59.60.3337	1 pce	100n	CER 50V, 10%, X7R, 0805
0 C 12	59.60.3337	1 pce	100n	CER 50V, 10%, X7R, 0805
0 C 13	not used	1 pce	100n	CER 50V, 10%, X7R, 0805
0 C 14	59.60.3337	1 pce	100n	CER 50V, 10%, X7R, 0805
0 C 15	59.60.3337	1 pce	100n	CER 50V, 10%, X7R, 0805
0 C 16	59.60.3337	1 pce	100n	CER 50V, 10%, X7R, 0805
0 C 17	59.60.3337	1 pce	100n	CER 50V, 10%, X7R, 0805
0 C 18	not used	1 pce	100n	CER 50V, 10%, X7R, 0805
0 C 19	59.60.3337	1 pce	100n	CER 50V, 10%, X7R, 0805
0 C 20	59.60.3337	1 pce	100n	CER 50V, 10%, X7R, 0805
0 C 21	59.60.3337	1 pce	100n	CER 50V, 10%, X7R, 0805
0 C 22	59.60.3337	1 pce	100n	CER 50V, 10%, X7R, 0805
0 C 23	59.60.3337	1 pce	100n	CER 50V, 10%, X7R, 0805
0 C 24	59.60.3337	1 pce	100n	CER 50V, 10%, X7R, 0805
0 C 25	59.60.3337	1 pce	100n	CER 50V, 10%, X7R, 0805
0 C 26	59.60.3337	1 pce	100n	CER 50V, 10%, X7R, 0805
0 C 101	not used	1 pce	10u	EL 16V, 4.0*5.7
0 C 102	not used	1 pce	10n	CER 50V, 10%, X7R, 0805
0 C 103	not used	1 pce	10n	CER 50V, 10%, X7R, 0805
0 C 104	not used	1 pce	47n	CER 50V, 10%, X7R, 0805
0 C 105	not used	1 pce	100n	CER 50V, 10%, X7R, 0805
0 C 201	not used	1 pce	10u	EL 16V, 4.0*5.7
0 C 202	not used	1 pce	10n	CER 50V, 10%, X7R, 0805
0 C 203	not used	1 pce	10n	CER 50V, 10%, X7R, 0805
0 C 204	not used	1 pce	47n	CER 50V, 10%, X7R, 0805
0 C 205	not used	1 pce	100n	CER 50V, 10%, X7R, 0805
0 C 301	not used	1 pce	10u	EL 16V, 4.0*5.7
0 C 302	not used	1 pce	10n	CER 50V, 10%, X7R, 0805
0 C 303	not used	1 pce	10n	CER 50V, 10%, X7R, 0805
0 C 304	not used	1 pce	47n	CER 50V, 10%, X7R, 0805
0 C 305	not used	1 pce	100n	CER 50V, 10%, X7R, 0805
0 C 401	not used	1 pce	10u	EL 16V, 4.0*5.7
0 C 402	not used	1 pce	10n	CER 50V, 10%, X7R, 0805
0 C 403	not used	1 pce	10n	CER 50V, 10%, X7R, 0805
0 C 404	not used	1 pce	47n	CER 50V, 10%, X7R, 0805
0 C 405	not used	1 pce	100n	CER 50V, 10%, X7R, 0805
0 C 501	not used	1 pce	10n	EL 16V, 4.0*5.7
0 C 502	not used	1 pce	10n	CER 50V, 10%, X7R, 0805
0 C 503	not used	1 pce	10n	CER 50V, 10%, X7R, 0805
0 C 504	not used	1 pce	47n	CER 50V, 10%, X7R, 0805
0 C 505	not used	1 pce	100n	CER 50V, 10%, X7R, 0805
0 C 601	not used	1 pce	10u	EL 16V, 4.0*5.7
0 C 602	not used	1 pce	10n	CER 50V, 10%, X7R, 0805
0 C 603	not used	1 pce	10n	CER 50V, 10%, X7R, 0805
0 C 604	not used	1 pce	47n	CER 50V, 10%, X7R, 0805
0 C 605	not used	1 pce	100n	CER 50V, 10%, X7R, 0805
0 C 701	not used	1 pce	10u	EL 16V, 4.0*5.7
0 C 702	not used	1 pce	10n	CER 50V, 10%, X7R, 0805
0 C 703	not used	1 pce	10n	CER 50V, 10%, X7R, 0805
0 C 704	not used	1 pce	47n	CER 50V, 10%, X7R, 0805
0 C 705	not used	1 pce	100n	CER 50V, 10%, X7R, 0805
0 C 801	not used	1 pce	10u	EL 16V, 4.0*5.7
0 C 802	not used	1 pce	10n	CER 50V, 10%, X7R, 0805
0 C 803	not used	1 pce	10n	CER 50V, 10%, X7R, 0805
0 C 804	not used	1 pce	47n	CER 50V, 10%, X7R, 0805
0 C 805	not used	1 pce	100n	CER 50V, 10%, X7R, 0805
0 D 1	50.60.8001	1 pce	4448	200mA 75V 4ns SOD 80
0 D 2	50.60.8001	1 pce	4448	200mA 75V 4ns SOD 80
0 D 3	50.60.8001	1 pce	4448	200mA 75V 4ns SOD 80
0 D 4	50.60.8001	1 pce	4448	200mA 75V 4ns SOD 80
0 D 5	50.60.8001	1 pce	4448	200mA 75V 4ns SOD 80
0 D 6	50.60.8001	1 pce	4448	200mA 75V 4ns SOD 80
0 D 7	50.60.8001	1 pce	4448	200mA 75V 4ns SOD 80
0 D 8	50.60.8001	1 pce	4448	200mA 75V 4ns SOD 80
0 D 9	50.60.8001	1 pce	4448	200mA 75V 4ns SOD 80
0 D 10	50.60.8001	1 pce	4448	200mA 75V 4ns SOD 80
0 D 11	50.60.8001	1 pce	4448	200mA 75V 4ns SOD 80
0 D 12	50.60.8001	1 pce	4448	200mA 75V 4ns SOD 80
0 D 13	50.60.8001	1 pce	4448	200mA 75V 4ns SOD 80
0 D 14	50.60.8001	1 pce	4448	200mA 75V 4ns SOD 80
0 D 15	50.60.8001	1 pce	4448	200mA 75V 4ns SOD 80
0 D 16	50.60.8001	1 pce	4448	200mA 75V 4ns SOD 80
0 D 17	50.60.8001	1 pce	4448	200mA 75V 4ns SOD 80
0 D 18	50.60.8001	1 pce	4448	200mA 75V 4ns SOD 80
0 D 19	50.60.8001	1 pce	4448	200mA 75V 4ns SOD 80
0 D 20	50.60.8001	1 pce	4448	200mA 75V 4ns SOD 80
0 D 21	50.60.8001	1 pce	4448	200mA 75V 4ns SOD 80

Idx. Pos.	Part No.	Qty.	Type/Val.	Description
0 D 22	50.60.8001	1 pce	4448	200mA 75V 4ns SOD 80
0 D 23	50.60.8001	1 pce	4448	200mA 75V 4ns SOD 80
0 D 24	50.60.8001	1 pce	4448	200mA 75V 4ns SOD 80
0 D 25	50.60.8001	1 pce	4448	200mA 75V 4ns SOD 80
0 D 26	50.60.8001	1 pce	4448	200mA 75V 4ns SOD 80
0 D 27	50.60.8001	1 pce	4448	200mA 75V 4ns SOD 80
0 D 28	50.60.8001	1 pce	4448	200mA 75V 4ns SOD 80
0 D 29	50.60.8001	1 pce	4448	200mA 75V 4ns SOD 80
0 D 30	50.60.8001	1 pce	4448	200mA 75V 4ns SOD 80
0 DL 1	not used	1 pce	HLMP1790	DL HLMP - 1790 GN
0 DL 2	50.04.2202	1 pce	HLMP1790	DL HLMP - 1790 GN
0 DS 1	55.01.0164	1 pce	4*a	DIL-Switch, PCB
0 IC 1	not used	1 pce	CS8412	AES-Receiver
0 IC 2	not used	1 pce	DS34C86	4*RS 422 Line Receiver
0 IC 3	not used	1 pce	DS34C86	4*RS 422 Line Receiver
0 IC 4	50.17.0541	1 pce	74HCT541	IC .. 74 HCT541 .. , A
0 IC 5	50.17.0541	1 pce	74HCT541	IC .. 74 HCT541 .. , A
0 IC 6	50.63.4210	1 pce	EPF10K10	PLD 10 000 gates
0 IC 7	50.62.6014	1 pce	74ACT 14	Hex inverting Schmitt trigger
0 IC 8	50.17.0541	1 pce	74HCT541	IC .. 74 HCT541 .. , A
0 IC 9	not used	1 pce	DS34C86	4*RS 422 Line Receiver
0 IC 10	1.940.986.20	1 pce		SW485 TDIFOUT (50.63.4298)
0 IC 11	50.17.0541	1 pce	74HCT541	IC .. 74 HCT541 .. , A
0 IC 12	50.17.0541	1 pce	74HCT541	IC .. 74 HCT541 .. , A
0 IC 101	not used	1 pce	CS8412	AES-Receiver
0 IC 201	not used	1 pce	CS8412	AES-Receiver
0 IC 301	not used	1 pce	CS8412	AES-Receiver
0 IC 401	not used	1 pce	CS8412	AES-Receiver
0 IC 501	not used	1 pce	CS8412	AES-Receiver
0 IC 601	not used	1 pce	CS8412	AES-Receiver
0 IC 701	not used	1 pce	CS8412	AES-Receiver
0 IC 801	not used	1 pce	CS8412	AES-Receiver
0 J 1	not used	1 pce	15p	D-Sub, PCB, Winkel
0 J 2	not used	1 pce	15p	D-Sub, PCB, Winkel
0 J 3	54.11.2009	1 pce	96p	EU-R 3*32p
0 J 4	not used	1 pce	Jumper	0.63*0.63mm. Au
0 MP 1	1.940.485.11	1 pce		D19M TDIF OUT PCB
0 MP 2	1.940.485.04	1 pce		TYPENSCHILD
0 MP 3	43.01.0108	1 pce	Label	ESE-WARNschild
0 MP 10	1.940.485.01	1 pce		FRONTPLATTE TDIF OUT
0 MP 11	1.940.600.04	1 pce		GRIFFEINLAGE 4TE
0 MP 12	49.02.0520	2 pcs	M2.5*12	Rändelschraube (Rack)
0 MP 13	49.02.0521	2 pcs		Metall-Buchse (Rack)
0 MP 14	49.02.0523	1 pce	M2.5*7	Senk-Schr, KS, Senkripp
0 MP 15	21.53.0284	1 pce	M2.5*16	Z-Schraube Inbus Zn gb chr
0 MP 16	49.02.0504	1 pce	4TE	Frontplatten-Griff
0 MP 17	49.02.0522	1 pce		Kartenhalter mit Z-Schr
0 MP 18	49.02.0522	1 pce		Kartenhalter mit Z-Schr
0 MP 19	28.99.0119	2 pcs		ROHRNIETE D 2.5*0.15* 9
0 P 1	not used	1 pce	16p	Stecker gerade Au
0 P 2	not used	1 pce	16p	Stecker gerade Au
0 P 3	not used	1 pce	1p	Pin, 1reihig, gerade
0 P 4	not used	1 pce	1p	Pin, 1reihig, gerade
0 P 5	not used	1 pce	1p	Pin, 1reihig, gerade
0 R 1	not used	1 pce	22R	MF, 1%, 0204, E24
0 R 2	57.92.7053	1 pce	1.6A	PTC 30V
0 R 3	57.60.1103	1 pce	10k	MF, 1%, 0204, E24
0 R 4	57.60.1103	1 pce	10k	MF, 1%, 0204, E24
0 R 5	not used	1 pce	100k	MF, 1%, 0204, E24
0 R 6	57.60.1103	1 pce	10k	MF, 1%, 0204, E24
0 R 7	57.60.1103	1 pce	10k	MF, 1%, 0204, E24
0 R 8	not used	1 pce	220R	MF, 1%, 0204, E24
0 R 9	not used	1 pce	220R	MF, 1%, 0204, E24
0 R 10	not used	1 pce	1k0	MF, 1%, 0204, E24
0 R 11	not used	1 pce	10k	MF, 1%, 0204, E24
0 R 12	not used	1 pce	10k	MF, 1%, 0204, E24
0 R 13	57.69.1097	1 pce	10k	CF 5% 0603
0 R 14	57.69.1097	1 pce	10k	CF 5% 0603
0 R 15	57.69.1097	1 pce	10k	CF 5% 0603
0 R 16	57.69.1097	1 pce	10k	CF 5% 0603
0 R 17	57.69.1097	1 pce	10k	CF 5% 0603
0 R 18	57.69.1097	1 pce	10k	CF 5% 0603
0 R 19	57.69.1097	1 pce	10k	CF 5% 0603
0 R 20	57.69.1097	1 pce	10k	CF 5% 0603
0 R 21	not used	1 pce	1k0	MF, 1%, 0204, E24
0 R 22	57.69.1097	1 pce	10k	CF 5% 0603
0 R 23	57.69.1097	1 pce	10k	CF 5% 0603
0 R 24	57.60.1470	1 pce	47R	MF, 1%, 0204, E24
0 R 25	57.60.1470	1 pce	47R	MF, 1%, 0204, E24
0 R 26	57.60.1470	1 pce	47R	MF, 1%, 0204, E24
0 R 27	57.60.1470	1 pce	47R	MF, 1%, 0204, E24
0 R 28	57.60.1470	1 pce	47R	MF, 1%, 0204, E24
0 R 29	57.60.1470	1 pce	47R	MF, 1%, 0204, E24
0 R 30	57.60.1470	1 pce	47R	MF, 1%, 0204, E24
0 R 31	57.60.1470	1 pce	47R	MF, 1%, 0204, E24
0 R 32	57.69.1097	1 pce	10k	CF 5% 0603
0 R 33	57.69.1097	1 pce	10k	CF 5% 0603

TDIFO, TDIF Out 1.940.485.20 (0)

Idx. Pos.	Part No.	Qty.	Type/Val.	Description
0 R 34	57.69.1097	1 pce	10k	CF 5% 0603
0 R 35	not used	1 pce	22R	MF, 1%, 0204, E24
0 R 36	57.60.1220	1 pce	22R	MF, 1%, 0204, E24
0 R 37	57.60.1220	1 pce	22R	MF, 1%, 0204, E24
0 R 38	57.60.1103	1 pce	10k	MF, 1%, 0204, E24
0 R 39	57.60.1103	1 pce	10k	MF, 1%, 0204, E24
0 R 40	57.69.1097	1 pce	10k	CF 5% 0603
0 R 41	57.69.1097	1 pce	10k	CF 5% 0603
0 R 42	57.69.1097	1 pce	10k	CF 5% 0603
0 R 43	57.69.1097	1 pce	10k	CF 5% 0603
0 R 44	not used	1 pce	10k	MF, 1%, 0204, E24
0 R 45	57.60.1150	1 pce	15R	MF, 1%, 0204, E24
0 R 46	57.60.1150	1 pce	15R	MF, 1%, 0204, E24
0 R 47	57.60.1150	1 pce	15R	MF, 1%, 0204, E24
0 R 48	57.60.1150	1 pce	15R	MF, 1%, 0204, E24
0 R 49	57.60.1150	1 pce	15R	MF, 1%, 0204, E24
0 R 50	57.60.1150	1 pce	15R	MF, 1%, 0204, E24
0 R 51	57.60.1470	1 pce	47R	MF, 1%, 0204, E24
0 R 52	57.60.1470	1 pce	47R	MF, 1%, 0204, E24
0 R 53	57.60.1470	1 pce	47R	MF, 1%, 0204, E24
0 R 54	57.60.1470	1 pce	47R	MF, 1%, 0204, E24
0 R 55	57.60.1470	1 pce	47R	MF, 1%, 0204, E24
0 R 56	57.60.1102	1 pce	1k0	MF, 1%, 0204, E24
0 R 57	57.60.1000	1 pce	0R0	MF, 0204
0 R 58	57.69.1097	1 pce	10k	CF 5% 0603
0 R 59	57.69.1097	1 pce	10k	CF 5% 0603
0 R 101	not used	1 pce	22R	MF, 1%, 0204, E24
0 R 102	not used	1 pce	1k0	MF, 1%, 0204, E24
0 R 103	not used	1 pce	220R	MF, 1%, 0204, E24
0 R 104	not used	1 pce	220R	MF, 1%, 0204, E24
0 R 201	not used	1 pce	22R	MF, 1%, 0204, E24
0 R 202	not used	1 pce	1k0	MF, 1%, 0204, E24
0 R 203	not used	1 pce	220R	MF, 1%, 0204, E24
0 R 204	not used	1 pce	220R	MF, 1%, 0204, E24
0 R 301	not used	1 pce	22R	MF, 1%, 0204, E24
0 R 302	not used	1 pce	1k0	MF, 1%, 0204, E24
0 R 303	not used	1 pce	220R	MF, 1%, 0204, E24
0 R 304	not used	1 pce	220R	MF, 1%, 0204, E24
0 R 401	not used	1 pce	22R	MF, 1%, 0204, E24
0 R 402	not used	1 pce	1k0	MF, 1%, 0204, E24
0 R 403	not used	1 pce	220R	MF, 1%, 0204, E24
0 R 404	not used	1 pce	220R	MF, 1%, 0204, E24
0 R 501	not used	1 pce	22R	MF, 1%, 0204, E24
0 R 502	not used	1 pce	1k0	MF, 1%, 0204, E24
0 R 503	not used	1 pce	220R	MF, 1%, 0204, E24
0 R 504	not used	1 pce	220R	MF, 1%, 0204, E24
0 R 601	not used	1 pce	22R	MF, 1%, 0204, E24
0 R 602	not used	1 pce	1k0	MF, 1%, 0204, E24
0 R 603	not used	1 pce	220R	MF, 1%, 0204, E24
0 R 604	not used	1 pce	220R	MF, 1%, 0204, E24
0 R 701	not used	1 pce	22R	MF, 1%, 0204, E24
0 R 702	not used	1 pce	1k0	MF, 1%, 0204, E24
0 R 703	not used	1 pce	220R	MF, 1%, 0204, E24
0 R 704	not used	1 pce	220R	MF, 1%, 0204, E24
0 R 801	not used	1 pce	22R	MF, 1%, 0204, E24
0 R 802	not used	1 pce	1k0	MF, 1%, 0204, E24
0 R 803	not used	1 pce	220R	MF, 1%, 0204, E24
0 R 804	not used	1 pce	220R	MF, 1%, 0204, E24
0 T 1	not used	1 pce	1:1	DI/DO TRANSFORMER
0 T 101	not used	1 pce	1:1	DI/DO TRANSFORMER
0 T 201	not used	1 pce	1:1	DI/DO TRANSFORMER
0 T 301	not used	1 pce	1:1	DI/DO TRANSFORMER
0 T 401	not used	1 pce	1:1	DI/DO TRANSFORMER
0 T 501	not used	1 pce	1:1	DI/DO TRANSFORMER
0 T 601	not used	1 pce	1:1	DI/DO TRANSFORMER
0 T 701	not used	1 pce	1:1	DI/DO TRANSFORMER
0 T 801	not used	1 pce	1:1	DI/DO TRANSFORMER
0 TP 1	54.02.0320	1 pce	1p	PCB-Flachst 2.8*0.8, gerade
0 XDL 2	50.20.2501	1 pce	Spacer	LED-Sockel
0 XIC 6	53.03.2284	1 pce	84p	PLCC-Sockel
0 XIC 10	53.03.0166	1 pce	8p	DIL 0.3", lötl, gerade

Idx. Pos.	Part No.	Qty.	Type/Val.	Description
-----------	----------	------	-----------	-------------

End of List

TDIFO, TDIF Out with AES In 1.940.486.20 (1)

Idx. Pos.	Part No.	Qty.	Type/Val.	Description	Idx. Pos.	Part No.	Qty.	Type/Val.	Description
0 C 1	59.60.3337	1 pce	100n	CER 50V, 10%, X7R, 0805	0 D 22	50.60.8001	1 pce	4448	200mA 75V 4ns SOD 80
0 C 2	59.68.0065	1 pce	10u	EL 16V, 4.0*5.7	0 D 23	50.60.8001	1 pce	4448	200mA 75V 4ns SOD 80
0 C 3	59.60.3337	1 pce	100n	CER 50V, 10%, X7R, 0805	0 D 24	50.60.8001	1 pce	4448	200mA 75V 4ns SOD 80
0 C 4	59.68.0069	1 pce	47u	EL 16V, 6.3*5.7	0 D 25	50.60.8001	1 pce	4448	200mA 75V 4ns SOD 80
0 C 5	59.60.3337	1 pce	100n	CER 50V, 10%, X7R, 0805	0 D 26	50.60.8001	1 pce	4448	200mA 75V 4ns SOD 80
0 C 6	59.60.3325	1 pce	10n	CER 50V, 10%, X7R, 0805	0 D 27	50.60.8001	1 pce	4448	200mA 75V 4ns SOD 80
0 C 7	59.60.3337	1 pce	100n	CER 50V, 10%, X7R, 0805	0 D 28	50.60.8001	1 pce	4448	200mA 75V 4ns SOD 80
0 C 8	59.60.3337	1 pce	100n	CER 50V, 10%, X7R, 0805	0 D 29	50.60.8001	1 pce	4448	200mA 75V 4ns SOD 80
0 C 9	59.60.3325	1 pce	10n	CER 50V, 10%, X7R, 0805	0 D 30	50.60.8001	1 pce	4448	200mA 75V 4ns SOD 80
0 C 10	59.60.3333	1 pce	47n	CER 50V, 10%, X7R, 0805	0 DL 1	50.04.2202	1 pce		HLMP1790
0 C 11	59.60.3337	1 pce	100n	CER 50V, 10%, X7R, 0805	0 DL 2				not used 1 pce
0 C 12	59.60.3337	1 pce	100n	CER 50V, 10%, X7R, 0805	0 DS 1	55.01.0164	1 pce	4*a	DIL-Switch, PCB
0 C 13	59.60.3337	1 pce	100n	CER 50V, 10%, X7R, 0805	0 IC 1	50.62.0913	1 pce	CS8412	AES-Receiver
0 C 14	59.60.3337	1 pce	100n	CER 50V, 10%, X7R, 0805	0 IC 2	50.62.0463	1 pce	DS34C86	4*RS 422 Line Receiver
0 C 15	59.60.3337	1 pce	100n	CER 50V, 10%, X7R, 0805	0 IC 3	50.62.0463	1 pce	DS34C86	4*RS 422 Line Receiver
0 C 16	59.60.3337	1 pce	100n	CER 50V, 10%, X7R, 0805	0 IC 4	50.17.0541	1 pce	74HCT541	IC .. 74 HCT541 .. , A
0 C 17	59.60.3337	1 pce	100n	CER 50V, 10%, X7R, 0805	0 IC 5	50.17.0541	1 pce	74HCT541	IC .. 74 HCT541 .. , A
0 C 18	59.60.3337	1 pce	100n	CER 50V, 10%, X7R, 0805	0 IC 6	50.63.4210	1 pce	EPF10K10	PLD 10 000 gates
0 C 19	59.60.3337	1 pce	100n	CER 50V, 10%, X7R, 0805	0 IC 7	50.62.6014	1 pce	74ACT 14	Hex invertierg Schmitt trigger
0 C 20	59.60.3337	1 pce	100n	CER 50V, 10%, X7R, 0805	0 IC 8	50.17.0541	1 pce	74HCT541	IC .. 74 HCT541 .. , A
0 C 21	59.60.3337	1 pce	100n	CER 50V, 10%, X7R, 0805	0 IC 9	50.62.0463	1 pce	DS34C86	4*RS 422 Line Receiver
0 C 22	59.60.3337	1 pce	100n	CER 50V, 10%, X7R, 0805	0 IC 10	1.940.986.20	1 pce		SW485 TDIFOUT (60.63.4298)
0 C 23	59.60.3337	1 pce	100n	CER 50V, 10%, X7R, 0805	0 IC 11	50.17.0541	1 pce	74HCT541	IC .. 74 HCT541 .. , A
0 C 24	59.60.3337	1 pce	100n	CER 50V, 10%, X7R, 0805	0 IC 12	50.17.0541	1 pce	74HCT541	IC .. 74 HCT541 .. , A
0 C 25	59.60.3337	1 pce	100n	CER 50V, 10%, X7R, 0805	0 IC 101	50.62.0913	1 pce	CS8412	AES-Receiver
0 C 26	59.60.3337	1 pce	100n	CER 50V, 10%, X7R, 0805	0 IC 201	50.62.0913	1 pce	CS8412	AES-Receiver
0 C 101	59.68.0065	1 pce	10u	EL 16V, 4.0*5.7	0 IC 301	50.62.0913	1 pce	CS8412	AES-Receiver
0 C 102	59.60.3325	1 pce	10n	CER 50V, 10%, X7R, 0805	0 IC 401	50.62.0913	1 pce	CS8412	AES-Receiver
0 C 103	59.60.3325	1 pce	10n	CER 50V, 10%, X7R, 0805	0 IC 501	50.62.0913	1 pce	CS8412	AES-Receiver
0 C 104	59.60.3333	1 pce	47n	CER 50V, 10%, X7R, 0805	0 IC 601	50.62.0913	1 pce	CS8412	AES-Receiver
0 C 105	59.60.3337	1 pce	100n	CER 50V, 10%, X7R, 0805	0 IC 701	50.62.0913	1 pce	CS8412	AES-Receiver
0 C 201	59.68.0065	1 pce	10u	EL 16V, 4.0*5.7	0 IC 801	50.62.0913	1 pce	CS8412	AES-Receiver
0 C 202	59.60.3325	1 pce	10n	CER 50V, 10%, X7R, 0805	0 J 1	54.13.0072	1 pce	15p	D-Sub, PCB, Winkel
0 C 203	59.60.3325	1 pce	10n	CER 50V, 10%, X7R, 0805	0 J 2	54.13.0072	1 pce	15p	D-Sub, PCB, Winkel
0 C 204	59.60.3333	1 pce	47n	CER 50V, 10%, X7R, 0805	0 J 3	54.11.2009	1 pce	96p	EU-R 3*32p
0 C 205	59.60.3337	1 pce	100n	CER 50V, 10%, X7R, 0805	0 J 4	54.01.0021	1 pce	Jumper	0.63*0.63mm, Au
0 C 301	59.68.0065	1 pce	10u	EL 16V, 4.0*5.7	0 MP 1	1.940.485.11	1 pce		D19M TDIF OUT PCB
0 C 302	59.60.3325	1 pce	10n	CER 50V, 10%, X7R, 0805	0 MP 2	1.940.486.04	1 pce		TYPENSCHILD
0 C 303	59.60.3325	1 pce	10n	CER 50V, 10%, X7R, 0805	0 MP 3	43.01.0108	1 pce	Label	ESE WARNschild
0 C 304	59.60.3333	1 pce	47n	CER 50V, 10%, X7R, 0805	0 MP 10	1.940.486.01	1 pce		FRONTPLATTE TDIF OUT/AES IN
0 C 305	59.60.3337	1 pce	100n	CER 50V, 10%, X7R, 0805	0 MP 11	1.940.600.04	1 pce		GRIFFEINLAGE 4TE
0 C 401	59.68.0065	1 pce	10u	EL 16V, 4.0*5.7	0 MP 12	49.02.0520	2 pcs	M2.5*12	Rändelschraube (Rack)
0 C 402	59.60.3325	1 pce	10n	CER 50V, 10%, X7R, 0805	0 MP 13	49.02.0521	2 pcs		Metall-Buchse (Rack)
0 C 403	59.60.3325	1 pce	10n	CER 50V, 10%, X7R, 0805	0 MP 14	not used	1 pce	M2.5*7	Senk-Schr, KS, Senkripp
0 C 404	59.60.3333	1 pce	47n	CER 50V, 10%, X7R, 0805	0 MP 15	21.53.0284	1 pce	M2.5*16	Z-Schraube Inbus Zn gb chr
0 C 405	59.60.3337	1 pce	100n	CER 50V, 10%, X7R, 0805	0 MP 16	49.02.0504	1 pce	4TE	Frontplatten-Griff
0 C 501	59.68.0065	1 pce	10u	EL 16V, 4.0*5.7	0 MP 17	49.02.0522	1 pce		Kartenhalter mit Z-Schr
0 C 502	59.60.3325	1 pce	10n	CER 50V, 10%, X7R, 0805	0 MP 18	not used	1 pce		Kartenhalter mit Z-Schr
0 C 503	59.60.3325	1 pce	10n	CER 50V, 10%, X7R, 0805	0 MP 19	28.99.0119	2 pcs		ROHRNIETE D 2.5*0.15* 9
0 C 504	59.60.3333	1 pce	47n	CER 50V, 10%, X7R, 0805	1 MP 20	54.13.0081	4 pcs	4.85mm	Bolzen UNC 4-40
0 C 505	59.60.3337	1 pce	100n	CER 50V, 10%, X7R, 0805	1 MP 21	24.16.2025	4 pcs	2.7/5.5	Fächerscheibe Form A
0 C 601	59.68.0065	1 pce	10u	EL 16V, 4.0*5.7	0 P 1	not used	1 pce	16p	Stecker gerade Au
0 C 602	59.60.3325	1 pce	10n	CER 50V, 10%, X7R, 0805	0 P 2	not used	1 pce	16p	Stecker gerade Au
0 C 603	59.60.3325	1 pce	10n	CER 50V, 10%, X7R, 0805	0 P 3	54.01.0020	1 pce	1p	Pin, 1reihig, gerade
0 C 604	59.60.3333	1 pce	47n	CER 50V, 10%, X7R, 0805	0 P 4	54.01.0020	1 pce	1p	Pin, 1reihig, gerade
0 C 605	59.60.3337	1 pce	100n	CER 50V, 10%, X7R, 0805	0 P 5	54.01.0020	1 pce	1p	Pin, 1reihig, gerade
0 C 701	59.68.0065	1 pce	10u	EL 16V, 4.0*5.7	0 R 1	57.60.1220	1 pce	22R	MF, 1%, 0204, E24
0 C 702	59.60.3325	1 pce	10n	CER 50V, 10%, X7R, 0805	0 R 2	57.92.7053	1 pce	1.6A	PTC 30V
0 C 703	59.60.3325	1 pce	10n	CER 50V, 10%, X7R, 0805	0 R 3	57.60.1103	1 pce	10k	MF, 1%, 0204, E24
0 C 704	59.60.3333	1 pce	47n	CER 50V, 10%, X7R, 0805	0 R 4	57.60.1103	1 pce	10k	MF, 1%, 0204, E24
0 C 705	59.60.3337	1 pce	100n	CER 50V, 10%, X7R, 0805	0 R 5	57.60.1104	1 pce	100k	MF, 1%, 0204, E24
0 C 801	59.68.0065	1 pce	10u	EL 16V, 4.0*5.7	0 R 6	57.60.1103	1 pce	10k	MF, 1%, 0204, E24
0 C 802	59.60.3325	1 pce	10n	CER 50V, 10%, X7R, 0805	0 R 7	57.60.1103	1 pce	10k	MF, 1%, 0204, E24
0 C 803	59.60.3325	1 pce	10n	CER 50V, 10%, X7R, 0805	0 R 8	57.60.1221	1 pce	220R	MF, 1%, 0204, E24
0 C 804	59.60.3333	1 pce	47n	CER 50V, 10%, X7R, 0805	0 R 9	57.60.1221	1 pce	220R	MF, 1%, 0204, E24
0 C 805	59.60.3337	1 pce	100n	CER 50V, 10%, X7R, 0805	0 R 10	57.60.1102	1 pce	1k0	MF, 1%, 0204, E24
0 D 1	50.60.8001	1 pce	4448	200mA 75V 4ns SOD 80	0 R 11	57.60.1103	1 pce	10k	MF, 1%, 0204, E24
0 D 2	50.60.8001	1 pce	4448	200mA 75V 4ns SOD 80	0 R 12	57.60.1103	1 pce	10k	MF, 1%, 0204, E24
0 D 3	50.60.8001	1 pce	4448	200mA 75V 4ns SOD 80	0 R 13	57.69.1097	1 pce	10k	CF 5% 0603
0 D 4	50.60.8001	1 pce	4448	200mA 75V 4ns SOD 80	0 R 14	57.69.1097	1 pce	10k	CF 5% 0603
0 D 5	50.60.8001	1 pce	4448	200mA 75V 4ns SOD 80	0 R 15	57.69.1097	1 pce	10k	CF 5% 0603
0 D 6	50.60.8001	1 pce	4448	200mA 75V 4ns SOD 80	0 R 16	57.69.1097	1 pce	10k	CF 5% 0603
0 D 7	50.60.8001	1 pce	4448	200mA 75V 4ns SOD 80	0 R 17	57.69.1097	1 pce	10k	CF 5% 0603
0 D 8	50.60.8001	1 pce	4448	200mA 75V 4ns SOD 80	0 R 18	57.69.1097	1 pce	10k	CF 5% 0603
0 D 9	50.60.8001	1 pce	4448	200mA 75V 4ns SOD 80	0 R 19	57.69.1097	1 pce	10k	CF 5% 0603
0 D 10	50.60.8001	1 pce	4448	200mA 75V 4ns SOD 80	0 R 20	57.69.1097	1 pce	10k	CF 5% 0603
0 D 11	50.60.8001	1 pce	4448	200mA 75V 4ns SOD 80	0 R 21	57.60.1102	1 pce	1k0	MF, 1%, 0204, E24
0 D 12	50.60.8001	1 pce	4448	200mA 75V 4ns SOD 80	0 R 22	57.69.1097	1 pce	10k	CF 5% 0603
0 D 13	50.60.8001	1 pce	4448	200mA 75V 4ns SOD 80	0 R 23	57.69.1097	1 pce	10k	CF 5% 0603
0 D 14	50.60.8001	1 pce	4448	200mA 75V 4ns SOD 80	0 R 24	57.60.1470	1 pce	47R	MF, 1%, 0204, E24
0 D 15	50.60.8001	1 pce	4448	200mA 75V 4ns SOD 80	0 R 25	57.60.1470	1 pce	47R	MF, 1%, 0204, E24
0 D 16	50.60.8001	1 pce	4448	200mA 75V 4ns SOD 80	0 R 26	57.60.1470	1 pce	47R	MF, 1%, 0204, E24
0 D 17	50.60.8001	1 pce	4448	200mA 75V 4ns SOD 80	0 R 27	57.60.1470	1 pce	47R	MF, 1%, 0204, E24
0 D 18	50.60.8001	1 pce	4448	200mA 75V 4ns SOD 80	0 R 28	57.60.1470	1 pce	47R	MF, 1%, 0204, E24
0 D 19	50.60.8001	1 pce	4448	200mA 75V 4ns SOD 80	0 R 29	57.60.1470	1 pce	47R	MF, 1%, 0204, E24
0 D 20	50.60.8001	1 pce	4448	200mA 75V 4ns SOD 80	0 R 30	57.60.1470	1 pce	47R	MF, 1%, 0204, E24
0 D 21	50.60.8001	1 pce	4448	200mA 75V 4ns SOD 80	0 R 31	57.60.1470	1 pce	47R	MF, 1%, 0204, E24

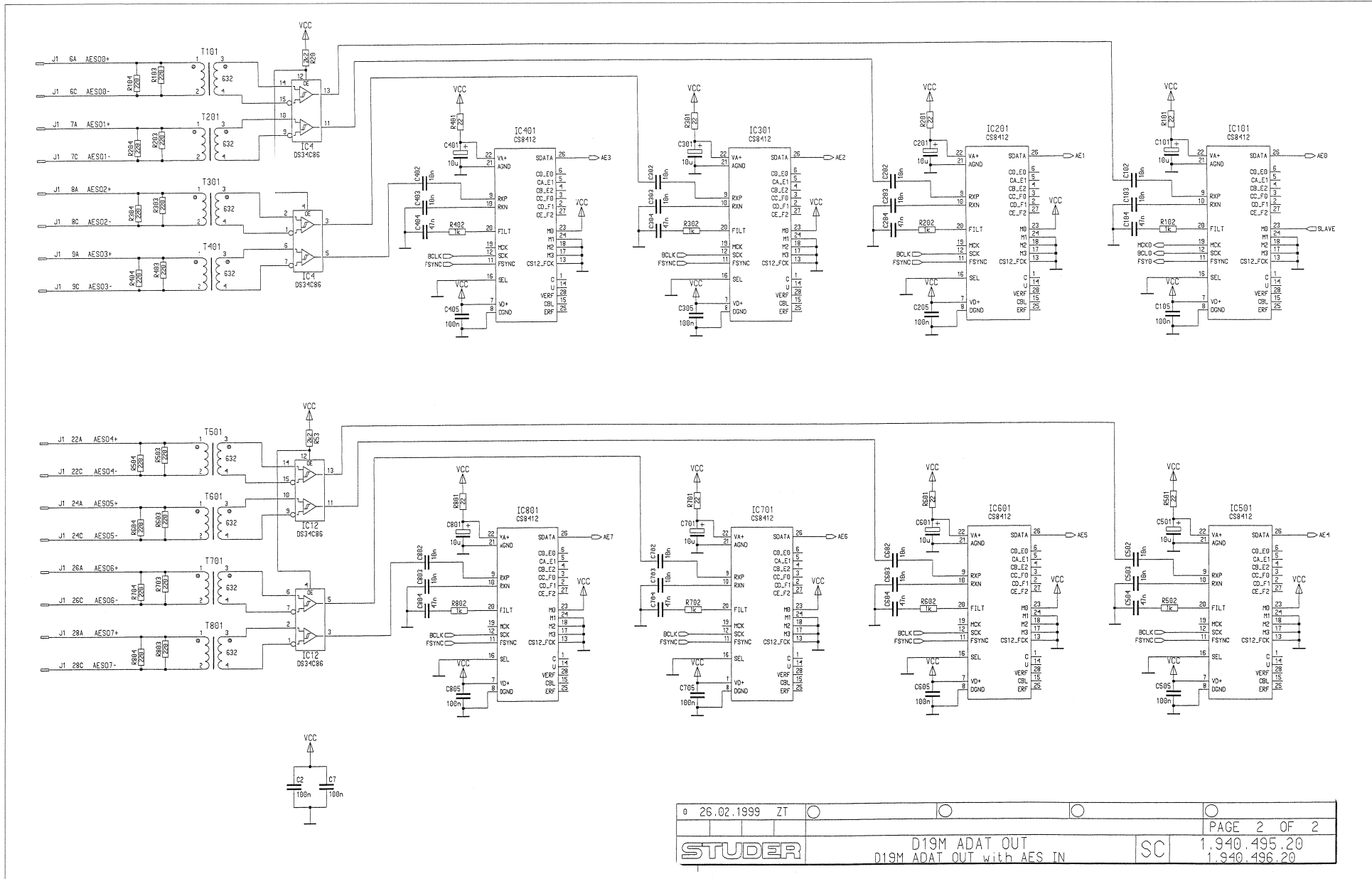
TDIFO, TDIF Out with AES In 1.940.486.20 (1)

Idx. Pos.	Part No.	Qty.	Type/Val.	Description	Idx. Pos.	Part No.	Qty.	Type/Val.	Description
0	R 32	57.69.1097	1 pce	10k	CF	5%	0603		
0	R 33	57.69.1097	1 pce	10k	CF	5%	0603		
0	R 34	57.69.1097	1 pce	10k	CF	5%	0603		
0	R 35	57.60.1220	1 pce	22R	MF	1%	0204, E24		
0	R 36	57.60.1220	1 pce	22R	MF	1%	0204, E24		
0	R 37	57.60.1220	1 pce	22R	MF	1%	0204, E24		
0	R 38	57.60.1103	1 pce	10k	MF	1%	0204, E24		
0	R 39	57.60.1103	1 pce	10k	MF	1%	0204, E24		
0	R 40	57.69.1097	1 pce	10k	CF	5%	0603		
0	R 41	57.69.1097	1 pce	10k	CF	5%	0603		
0	R 42	57.69.1097	1 pce	10k	CF	5%	0603		
0	R 43	57.69.1097	1 pce	10k	CF	5%	0603		
0	R 44	57.60.1103	1 pce	10k	MF	1%	0204, E24		
0	R 45	57.60.1150	1 pce	15R	MF	1%	0204, E24		
0	R 46	57.60.1150	1 pce	15R	MF	1%	0204, E24		
0	R 47	57.60.1150	1 pce	15R	MF	1%	0204, E24		
0	R 48	57.60.1150	1 pce	15R	MF	1%	0204, E24		
0	R 49	57.60.1150	1 pce	15R	MF	1%	0204, E24		
0	R 50	57.60.1150	1 pce	15R	MF	1%	0204, E24		
0	R 51	57.60.1470	1 pce	47R	MF	1%	0204, E24		
0	R 52	57.60.1470	1 pce	47R	MF	1%	0204, E24		
0	R 53	57.60.1470	1 pce	47R	MF	1%	0204, E24		
0	R 54	57.60.1470	1 pce	47R	MF	1%	0204, E24		
0	R 55	57.60.1470	1 pce	47R	MF	1%	0204, E24		
0	R 56	not used	1 pce	1k0	MF	1%	0204, E24		
0	R 57	not used	1 pce	0R0	MF		0204		
0	R 58	57.69.1097	1 pce	10k	CF	5%	0603		
0	R 59	57.69.1097	1 pce	10k	CF	5%	0603		
0	R 101	57.60.1220	1 pce	22R	MF	1%	0204, E24		
0	R 102	57.60.1102	1 pce	1k0	MF	1%	0204, E24		
0	R 103	57.60.1221	1 pce	220R	MF	1%	0204, E24		
0	R 104	57.60.1221	1 pce	220R	MF	1%	0204, E24		
0	R 201	57.60.1220	1 pce	22R	MF	1%	0204, E24		
0	R 202	57.60.1102	1 pce	1k0	MF	1%	0204, E24		
0	R 203	57.60.1221	1 pce	220R	MF	1%	0204, E24		
0	R 204	57.60.1221	1 pce	220R	MF	1%	0204, E24		
0	R 301	57.60.1220	1 pce	22R	MF	1%	0204, E24		
0	R 302	57.60.1102	1 pce	1k0	MF	1%	0204, E24		
0	R 303	57.60.1221	1 pce	220R	MF	1%	0204, E24		
0	R 304	57.60.1221	1 pce	220R	MF	1%	0204, E24		
0	R 401	57.60.1220	1 pce	22R	MF	1%	0204, E24		
0	R 402	57.60.1102	1 pce	1k0	MF	1%	0204, E24		
0	R 403	57.60.1221	1 pce	220R	MF	1%	0204, E24		
0	R 404	57.60.1221	1 pce	220R	MF	1%	0204, E24		
0	R 501	57.60.1220	1 pce	22R	MF	1%	0204, E24		
0	R 502	57.60.1102	1 pce	1k0	MF	1%	0204, E24		
0	R 503	57.60.1221	1 pce	220R	MF	1%	0204, E24		
0	R 504	57.60.1221	1 pce	220R	MF	1%	0204, E24		
0	R 601	57.60.1220	1 pce	22R	MF	1%	0204, E24		
0	R 602	57.60.1102	1 pce	1k0	MF	1%	0204, E24		
0	R 603	57.60.1221	1 pce	220R	MF	1%	0204, E24		
0	R 604	57.60.1221	1 pce	220R	MF	1%	0204, E24		
0	R 701	57.60.1220	1 pce	22R	MF	1%	0204, E24		
0	R 702	57.60.1102	1 pce	1k0	MF	1%	0204, E24		
0	R 703	57.60.1221	1 pce	220R	MF	1%	0204, E24		
0	R 704	57.60.1221	1 pce	220R	MF	1%	0204, E24		
0	R 801	57.60.1220	1 pce	22R	MF	1%	0204, E24		
0	R 802	57.60.1102	1 pce	1k0	MF	1%	0204, E24		
0	R 803	57.60.1221	1 pce	220R	MF	1%	0204, E24		
0	R 804	57.60.1221	1 pce	220R	MF	1%	0204, E24		
0	T 1	1.022.632.00	1 pce	1:1	DI/DO TRANSFORMER				
0	T 101	1.022.632.00	1 pce	1:1	DI/DO TRANSFORMER				
0	T 201	1.022.632.00	1 pce	1:1	DI/DO TRANSFORMER				
0	T 301	1.022.632.00	1 pce	1:1	DI/DO TRANSFORMER				
0	T 401	1.022.632.00	1 pce	1:1	DI/DO TRANSFORMER				
0	T 501	1.022.632.00	1 pce	1:1	DI/DO TRANSFORMER				
0	T 601	1.022.632.00	1 pce	1:1	DI/DO TRANSFORMER				
0	T 701	1.022.632.00	1 pce	1:1	DI/DO TRANSFORMER				
0	T 801	1.022.632.00	1 pce	1:1	DI/DO TRANSFORMER				
0	TP 1	54.02.0320	1 pce	1p	PCB-Flachst 2.8*0.8, gerade				
0	XDL 1	50.20.2501	1 pce	Spacer	LED-Socket				
0	XIC 6	53.03.2284	1 pce	84p	PLCC-Socket				
0	XIC 10	53.03.0166	1 pce	8p	DIL 0.3", l6t, gerade				

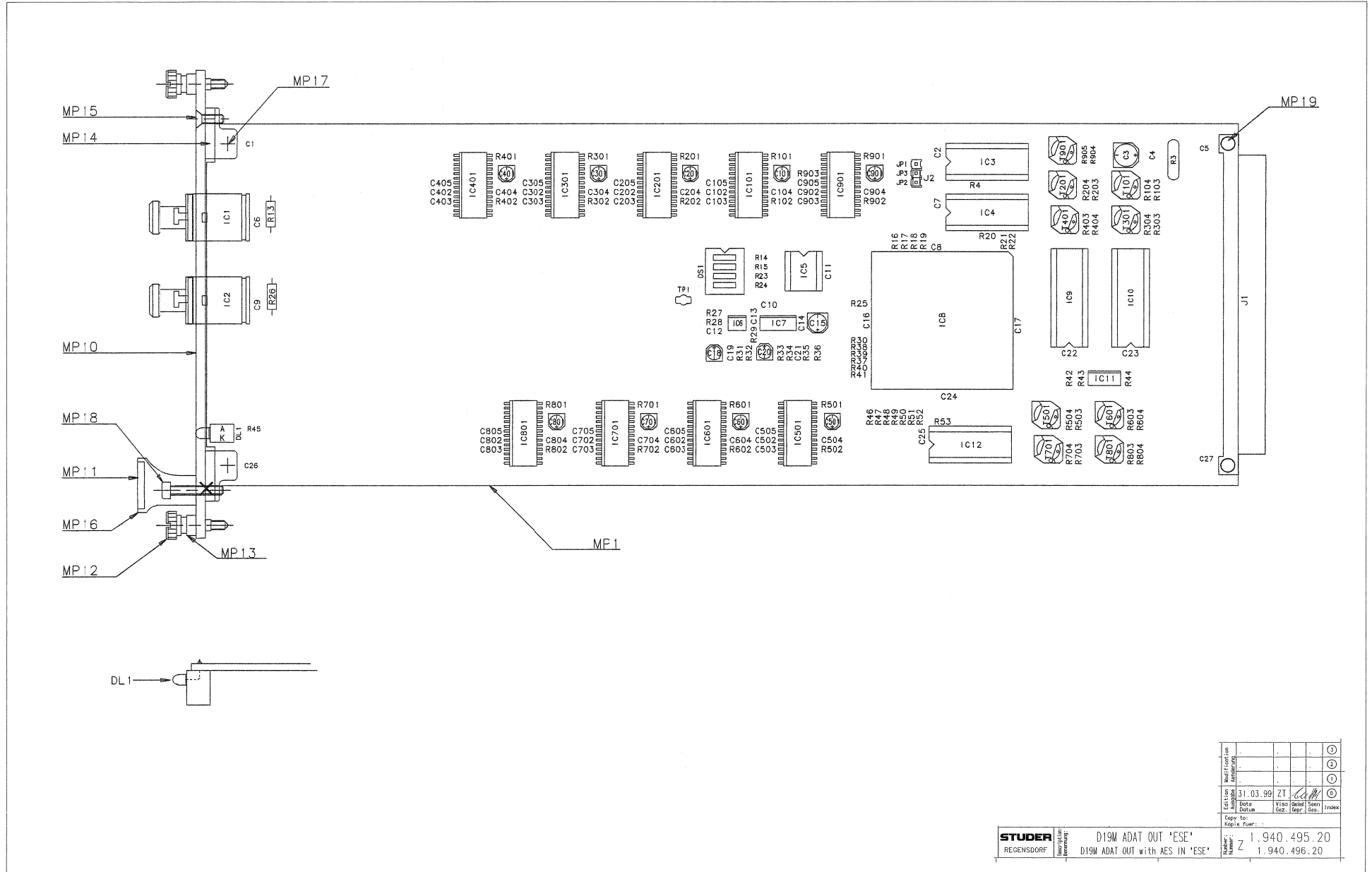
End of List

(01) Additionally MP20 and MP21

D19m ADAT Out 1.940.495.20
 D19m ADAT Out with AES In 1.940.496.20



D19m ADAT Out 1.940.495.20
 D19m ADAT Out with AES In 1.940.496.20



Edition	Modif	Location			
Numero	Numero	Numero			
1					
2					
3					
4					
5					

STUDER
 REGENSDORF

D19M ADAT OUT 'ESE'
 D19M ADAT OUT with AES IN 'ESE'

Number: Z 1.940.495.20
 Revision: Z 1.940.496.20

Copy To: _____
 Date: _____
 Drawn: _____
 Checked: _____
 Approved: _____

D19M ADAT OUT 1.940.495.20 (1)

Idx. Pos.	Part No.	Qty.	Tvpe/Val.	Description	Idx. Pos.	Part No.	Qty.	Tvpe/Val.	Description
0 C 1	59.60.3337	100n		CER 50V, 10%, X7R, 0805	0 IC 201	not used		CS8412	AES-Receiver
0 C 2	59.60.3337	100n		CER 50V, 10%, X7R, 0805	0 IC 301	not used		CS8412	AES-Receiver
0 C 3	59.68.0069	47u		EL 16V, 6.3*5.7	0 IC 401	not used		CS8412	AES-Receiver
0 C 4	59.60.3337	100n		CER 50V, 10%, X7R, 0805	0 IC 501	not used		CS8412	AES-Receiver
0 C 5	59.60.3337	100n		CER 50V, 10%, X7R, 0805	0 IC 601	not used		CS8412	AES-Receiver
0 C 6	59.60.3337	100n		CER 50V, 10%, X7R, 0805	0 IC 701	not used		CS8412	AES-Receiver
0 C 7	59.60.3337	100n		CER 50V, 10%, X7R, 0805	0 IC 801	not used		CS8412	AES-Receiver
0 C 8	59.60.3337	100n		CER 50V, 10%, X7R, 0805	0 IC 901	not used		CS8412	AES-Receiver
0 C 9	59.60.3337	100n		CER 50V, 10%, X7R, 0805	0 J 1	54.11.2009	96p		EU-R 3*32p
0 C 10	59.60.2249	100p		CER 50V, 5%, COG, 0603	0 J 2	not used		Jumper	0.63*0.63mm, Au
0 C 11	59.60.3337	100n		CER 50V, 10%, X7R, 0805	0 JP 1	not used		1p	Pin, 1reihig, gerade
0 C 12	59.60.3337	100n		CER 50V, 10%, X7R, 0805	0 JP 2	not used		1p	Pin, 1reihig, gerade
0 C 13	59.60.3337	100n		CER 50V, 10%, X7R, 0805	0 JP 3	not used		1p	Pin, 1reihig, gerade
0 C 14	59.60.3337	100n		CER 50V, 10%, X7R, 0805	0 MP 1	1.940.495.11			D19M ADAT OUT PCB
0 C 15	59.68.0067	22u		EL 16V, 5.0*5.7	0 MP 2	1.940.495.04			TYPENSCHILD
0 C 16	59.60.3337	100n		CER 50V, 10%, X7R, 0805	0 MP 3	1.101.001.20			TEXT-ETIK. 5*20 HARDWARE -20
0 C 17	59.60.3337	100n		CER 50V, 10%, X7R, 0805	0 MP 4	43.01.0108			ESE-WARNschild
0 C 18	59.68.0065	10u		EL 16V, 4.0*5.7	0 MP 10	1.940.495.01	1 pce		FRONTPLATTE ADATO
0 C 19	59.60.3317	2n2		CER 50V, 10%, X7R, 0805	0 MP 11	1.940.600.04	1 pce		GRIFFEINLAGE 4TE
0 C 20	59.68.0065	10u		EL 16V, 4.0*5.7	0 MP 12	49.02.0520	2 pcs	M2.5*12	Rändelschraube (Rack)
0 C 21	59.60.2249	100p		CER 50V, 5%, COG, 0603	0 MP 13	49.02.0521	2 pcs		Metall-Buchse (Rack)
0 C 22	59.60.3337	100n		CER 50V, 10%, X7R, 0805	0 MP 14	49.02.0522	2 pcs		Kartenhalter mit Z-Schr
0 C 23	59.60.3337	100n		CER 50V, 10%, X7R, 0805	0 MP 15	49.02.0523	1 pce	M2.5*7	Senk-Schr, KS, Senkripp
0 C 24	59.60.3337	100n		CER 50V, 10%, X7R, 0805	0 MP 16	49.02.0504	1 pce	4TE	Frontplatten-Griff
0 C 25	59.60.3337	100n		CER 50V, 10%, X7R, 0805	1 MP 17	not used	2 pcs	M2.5*6	Z-Schraube Inbus Zn gb chr
0 C 26	59.60.3337	100n		CER 50V, 10%, X7R, 0805					Schraube ist in MP14 (49.02.0522 Kartenhalter) enthalten
0 C 27	59.60.3337	100n		CER 50V, 10%, X7R, 0805	0 MP 18	21.53.0284	1 pce	M2.5*16	Z-Schraube Inbus Zn gb chr
0 C 101	not used	10u		EL 16V, 4.0*5.7	0 MP 19	28.99.0119	2 pcs		ROHRNIETE D 2.5*0.15* 9
0 C 102	not used	10n		CER 50V, 10%, X7R, 0805	0 R 3	57.92.7053		1.6A	PTC 30V
0 C 103	not used	10n		CER 50V, 10%, X7R, 0805	0 R 4	not used		10k	MF, 1%, 0204, E24
0 C 104	not used	47n		CER 50V, 10%, X7R, 0805	0 R 13	57.11.3822		8k2	MF, 1%, 0207
0 C 105	not used	100n		CER 50V, 10%, X7R, 0805	0 R 14	57.60.1103		10k	MF, 1%, 0204, E24
0 C 201	not used	10u		EL 16V, 4.0*5.7	0 R 15	57.60.1103		10k	MF, 1%, 0204, E24
0 C 202	not used	10n		CER 50V, 10%, X7R, 0805	0 R 16	57.69.1097		10k	CF 5% 0603
0 C 203	not used	10n		CER 50V, 10%, X7R, 0805	0 R 17	57.69.1097		10k	CF 5% 0603
0 C 204	not used	47n		CER 50V, 10%, X7R, 0805	0 R 18	57.69.1097		10k	CF 5% 0603
0 C 205	not used	100n		CER 50V, 10%, X7R, 0805	0 R 19	57.69.1097		10k	CF 5% 0603
0 C 301	not used	10u		EL 16V, 4.0*5.7	0 R 20	not used		2k2	MF, 1%, 0204, E24
0 C 302	not used	10n		CER 50V, 10%, X7R, 0805	0 R 21	57.69.1097		10k	CF 5% 0603
0 C 303	not used	10n		CER 50V, 10%, X7R, 0805	0 R 22	57.69.1097		10k	CF 5% 0603
0 C 304	not used	47n		CER 50V, 10%, X7R, 0805	0 R 23	57.60.1103		10k	MF, 1%, 0204, E24
0 C 305	not used	100n		CER 50V, 10%, X7R, 0805	0 R 24	57.60.1103		10k	MF, 1%, 0204, E24
0 C 401	not used	10u		EL 16V, 4.0*5.7	0 R 25	57.69.1097		10k	CF 5% 0603
0 C 402	not used	10n		CER 50V, 10%, X7R, 0805	0 R 26	57.11.3822		8k2	MF, 1%, 0207
0 C 403	not used	10n		CER 50V, 10%, X7R, 0805	0 R 27	57.60.1103		10k	MF, 1%, 0204, E24
0 C 404	not used	47n		CER 50V, 10%, X7R, 0805	0 R 28	57.60.1103		10k	MF, 1%, 0204, E24
0 C 405	not used	100n		CER 50V, 10%, X7R, 0805	0 R 29	57.60.1103		10k	MF, 1%, 0204, E24
0 C 501	not used	10u		EL 16V, 4.0*5.7	0 R 30	57.69.1097		10k	CF 5% 0603
0 C 502	not used	10n		CER 50V, 10%, X7R, 0805	0 R 31	57.60.1562		5k6	MF, 1%, 0204, E24
0 C 503	not used	10n		CER 50V, 10%, X7R, 0805	0 R 32	57.60.1101		100R	MF, 1%, 0204, E24
0 C 504	not used	47n		CER 50V, 10%, X7R, 0805	0 R 33	57.60.1392		3k9	MF, 1%, 0204, E24
0 C 505	not used	100n		CER 50V, 10%, X7R, 0805	0 R 34	57.60.1123		12k	MF, 1%, 0204, E24
0 C 601	not used	10u		EL 16V, 4.0*5.7	0 R 35	57.60.1104		100k	MF, 1%, 0204, E24
0 C 602	not used	10n		CER 50V, 10%, X7R, 0805	0 R 36	57.60.1100		10k	MF, 1%, 0204, E24
0 C 603	not used	10n		CER 50V, 10%, X7R, 0805	0 R 37	57.69.1097		10k	CF 5% 0603
0 C 604	not used	47n		CER 50V, 10%, X7R, 0805	0 R 38	57.69.1097		10k	CF 5% 0603
0 C 605	not used	100n		CER 50V, 10%, X7R, 0805	0 R 39	57.69.1097		10k	CF 5% 0603
0 C 701	not used	10u		EL 16V, 4.0*5.7	0 R 40	57.69.1097		10k	CF 5% 0603
0 C 702	not used	10n		CER 50V, 10%, X7R, 0805	0 R 41	57.69.1097		10k	CF 5% 0603
0 C 703	not used	10n		CER 50V, 10%, X7R, 0805	0 R 42	not used		22R	MF, 1%, 0204, E24
0 C 704	not used	47n		CER 50V, 10%, X7R, 0805	0 R 43	57.60.1103		10k	MF, 1%, 0204, E24
0 C 705	not used	100n		CER 50V, 10%, X7R, 0805	0 R 44	57.60.1103		10k	MF, 1%, 0204, E24
0 C 801	not used	10u		EL 16V, 4.0*5.7	0 R 45	57.60.1102		1k0	MF, 1%, 0204, E24
0 C 802	not used	10n		CER 50V, 10%, X7R, 0805	0 R 46	57.69.1097		10k	CF 5% 0603
0 C 803	not used	10n		CER 50V, 10%, X7R, 0805	0 R 47	57.69.1097		10k	CF 5% 0603
0 C 804	not used	47n		CER 50V, 10%, X7R, 0805	0 R 48	57.69.1097		10k	CF 5% 0603
0 C 805	not used	100n		CER 50V, 10%, X7R, 0805	0 R 49	57.69.1097		10k	CF 5% 0603
0 C 901	not used	10u		EL 16V, 4.0*5.7	0 R 50	57.69.1097		10k	CF 5% 0603
0 C 902	not used	10n		CER 50V, 10%, X7R, 0805	0 R 51	57.69.1097		10k	CF 5% 0603
0 C 903	not used	10n		CER 50V, 10%, X7R, 0805	0 R 52	57.69.1097		10k	CF 5% 0603
0 C 904	not used	47n		CER 50V, 10%, X7R, 0805	0 R 53	not used		2k2	MF, 1%, 0204, E24
0 C 905	not used	100n		CER 50V, 10%, X7R, 0805	0 R 101	not used		22R	MF, 1%, 0204, E24
0 DL 1	50.04.2202		HLMP1790	DL HLMP - 1790 GN	0 R 102	not used		1k0	MF, 1%, 0204, E24
0 DS 1	55.01.0164		*a	DIL-Switch, PCB	0 R 103	not used		220R	MF, 1%, 0204, E24
0 IC 1	89.10.0111		TOTX173	Toslink Transmitter	0 R 104	not used		220R	MF, 1%, 0204, E24
0 IC 2	89.10.0111		TOTX173	Toslink Transmitter	0 R 201	not used		22R	MF, 1%, 0204, E24
0 IC 3	not used		34C86	IC DS 34 C 86 TN, MC34C86P ,A	0 R 202	not used		1k0	MF, 1%, 0204, E24
0 IC 4	not used		34C86	IC DS 34 C 86 TN, MC34C86P ,A	0 R 203	not used		220R	MF, 1%, 0204, E24
0 IC 5	1.940.954.20			SW 495 ADATO (50.63.4298)	0 R 204	not used		220R	MF, 1%, 0204, E24
0 IC 6	50.61.0205		TS272CD	Dual Op-Amp CMOS SO 8	0 R 301	not used		22R	MF, 1%, 0204, E24
0 IC 7	50.62.4946		74HCT9046	PLL with bandgap contr VCO	0 R 302	not used		1k0	MF, 1%, 0204, E24
0 IC 8	50.63.4210		EPF10K10	PLD 10 000 gates	0 R 303	not used		220R	MF, 1%, 0204, E24
0 IC 9	50.17.0541		74HCT541	IC .. 74 HCT541 .. ,A	0 R 304	not used		220R	MF, 1%, 0204, E24
0 IC 10	50.17.0541		74HCT541	IC .. 74 HCT541 .. ,A	0 R 401	not used		22R	MF, 1%, 0204, E24
0 IC 11	50.62.6014		74ACT 14	Hex inverting Schmitt trigger	0 R 402	not used		1k0	MF, 1%, 0204, E24
0 IC 12	not used		34C86	IC DS 34 C 86 TN, MC34C86P ,A	0 R 403	not used		220R	MF, 1%, 0204, E24
0 IC 101	not used		CS8412	AES-Receiver	0 R 404	not used		220R	MF, 1%, 0204, E24

D19M ADAT OUT 1.940.495.20 (1)

Idx. Pos.	Part No.	Qty.	Type/Val.	Description
0	R 501	not used	22R	MF, 1%, 0204, E24
0	R 502	not used	1k0	MF, 1%, 0204, E24
0	R 503	not used	220R	MF, 1%, 0204, E24
0	R 504	not used	220R	MF, 1%, 0204, E24
0	R 601	not used	22R	MF, 1%, 0204, E24
0	R 602	not used	1k0	MF, 1%, 0204, E24
0	R 603	not used	220R	MF, 1%, 0204, E24
0	R 604	not used	220R	MF, 1%, 0204, E24
0	R 701	not used	22R	MF, 1%, 0204, E24
0	R 702	not used	1k0	MF, 1%, 0204, E24
0	R 703	not used	220R	MF, 1%, 0204, E24
0	R 704	not used	220R	MF, 1%, 0204, E24
0	R 801	not used	22R	MF, 1%, 0204, E24
0	R 802	not used	1k0	MF, 1%, 0204, E24
0	R 803	not used	220R	MF, 1%, 0204, E24
0	R 804	not used	220R	MF, 1%, 0204, E24
0	R 901	not used	22R	MF, 1%, 0204, E24
0	R 902	not used	1k0	MF, 1%, 0204, E24
0	R 903	not used	100k	MF, 1%, 0204, E24
0	R 904	not used	220R	MF, 1%, 0204, E24
0	R 905	not used	220R	MF, 1%, 0204, E24
0	T 101	not used	1:1	DI/DO TRANSFORMER
0	T 201	not used	1:1	DI/DO TRANSFORMER
0	T 301	not used	1:1	DI/DO TRANSFORMER
0	T 401	not used	1:1	DI/DO TRANSFORMER
0	T 501	not used	1:1	DI/DO TRANSFORMER
0	T 601	not used	1:1	DI/DO TRANSFORMER
0	T 701	not used	1:1	DI/DO TRANSFORMER
0	T 801	not used	1:1	DI/DO TRANSFORMER
0	T 901	not used	1:1	DI/DO TRANSFORMER
0	TP 1	54.33.8010	2.8*0.8	PCB-Flachstecker, gerade
0	XDL 1	50.20.2501	Spacer	LED-Sockel
0	XIC 3	not used	16p	DIL 0.3", lötl, gerade
0	XIC 4	not used	16p	DIL 0.3", lötl, gerade
0	XIC 5	53.03.0166	8p	DIL 0.3", lötl, gerade
0	XIC 8	53.03.2284	84p	PLCC-Socket
0	XIC 9	53.03.0165	20p	DIL 0.3", lötl, gerade
0	XIC 10	53.03.0165	20p	DIL 0.3", lötl, gerade
0	XIC 12	not used	16p	DIL 0.3", lötl, gerade

Idx. Pos.	Part No.	Qty.	Type/Val.	Description
-----------	----------	------	-----------	-------------

End of List

(1) 12.04.00 MP 17 not used

D19M ADATO with AES IN 1.940.496.20 (1)

Idx. Pos.	Part No.	Qty.	Tvpe/Val.	Description	Idx. Pos.	Part No.	Qty.	Tvpe/Val.	Description
0 C 1	59.60.3337	100n		CER 50V, 10%, X7R, 0805	0 IC 201	50.62.0913		CS8412	AES-Receiver
0 C 2	59.60.3337	100n		CER 50V, 10%, X7R, 0805	0 IC 301	50.62.0913		CS8412	AES-Receiver
0 C 3	59.68.0069	47u		EL 16V, 6.3*5.7	0 IC 401	50.62.0913		CS8412	AES-Receiver
0 C 4	59.60.3337	100n		CER 50V, 10%, X7R, 0805	0 IC 501	50.62.0913		CS8412	AES-Receiver
0 C 5	59.60.3337	100n		CER 50V, 10%, X7R, 0805	0 IC 601	50.62.0913		CS8412	AES-Receiver
0 C 6	59.60.3337	100n		CER 50V, 10%, X7R, 0805	0 IC 701	50.62.0913		CS8412	AES-Receiver
0 C 7	59.60.3337	100n		CER 50V, 10%, X7R, 0805	0 IC 801	50.62.0913		CS8412	AES-Receiver
0 C 8	59.60.3337	100n		CER 50V, 10%, X7R, 0805	0 IC 901	50.62.0913		CS8412	AES-Receiver
0 C 9	59.60.3337	100n		CER 50V, 10%, X7R, 0805	0 J 1	54.11.2009		96p	EU-R 3*32p
0 C 10	59.60.2249	100p		CER 50V, 5%, COG, 0603	0 J 2	54.01.0021		Jumper	0.63*0.63mm, Au
0 C 11	59.60.3337	100n		CER 50V, 10%, X7R, 0805	0 JP 1	54.01.0020		1p	Pin, freihig, gerade
0 C 12	59.60.3337	100n		CER 50V, 10%, X7R, 0805	0 JP 2	54.01.0020		1p	Pin, freihig, gerade
0 C 13	59.60.3337	100n		CER 50V, 10%, X7R, 0805	0 JP 3	54.01.0020		1p	Pin, freihig, gerade
0 C 14	59.60.3337	100n		CER 50V, 10%, X7R, 0805	0 MP 1	1.940.495.11			D19M ADAT OUT PCB
0 C 15	59.68.0067	22u		EL 16V, 5.0*5.7	0 MP 2	1.940.496.04			TYPENSCHILD
0 C 16	59.60.3337	100n		CER 50V, 10%, X7R, 0805	0 MP 3	1.101.001.20		Label	TEXT-ETIK. 5*20 HARDWARE -20
0 C 17	59.60.3337	100n		CER 50V, 10%, X7R, 0805	0 MP 4	43.01.0108		Label	ESE-WARNschild
0 C 18	59.68.0065	10u		EL 16V, 4.0*5.7	0 MP 10	1.940.495.01	1 pce		FRONTPLATTE ADATO
0 C 19	59.60.3317	2n2		CER 50V, 10%, X7R, 0805	0 MP 11	1.940.600.04	1 pce		GRIFFEINLAGE
0 C 20	59.68.0065	10u		EL 16V, 4.0*5.7	0 MP 12	49.02.0520	2 pcs	M2.5*12	Rändelschraube (Rack)
0 C 21	59.60.2249	100p		CER 50V, 5%, COG, 0603	0 MP 13	49.02.0521	2 pcs		Metall-Buchse (Rack)
0 C 22	59.60.3337	100n		CER 50V, 10%, X7R, 0805	0 MP 14	49.02.0522	2 pcs		Kartenhalter mit Z-Schr
0 C 23	59.60.3337	100n		CER 50V, 10%, X7R, 0805	0 MP 15	49.02.0523	1 pce	M2.5*7	Senk-Schr, KS, Senkripp
0 C 24	59.60.3337	100n		CER 50V, 10%, X7R, 0805	0 MP 16	49.02.0504	1 pce	4TE	Frontplatten-Griff
0 C 25	59.60.3337	100n		CER 50V, 10%, X7R, 0805	1 MP 17	not used	2 pcs	M2.5*6	Z-Schraube Inbus Zn gb chr
0 C 26	59.60.3337	100n		CER 50V, 10%, X7R, 0805					Schraube ist in MP14 (49.02.0522 Kartenhalter) enthalten
0 C 27	59.60.3337	100n		CER 50V, 10%, X7R, 0805	0 MP 18	21.53.0284	1 pce	M2.5*16	Z-Schraube Inbus Zn gb chr
0 C 101	59.68.0065	10u		EL 16V, 4.0*5.7	0 MP 19	28.99.0119	2 pcs		ROHRNIETE D 2.5*0.15* 9
0 C 102	59.60.3325	10n		CER 50V, 10%, X7R, 0805	0 R 3	57.92.7053		1.6A	PTC 30V
0 C 103	59.60.3325	10n		CER 50V, 10%, X7R, 0805	0 R 4	57.60.1103		10k	MF, 1%, 0204, E24
0 C 104	59.60.3333	47n		CER 50V, 10%, X7R, 0805	0 R 13	57.11.3822		8k2	MF, 1%, 0207
0 C 105	59.60.3337	100n		CER 50V, 10%, X7R, 0805	0 R 14	57.60.1103		10k	MF, 1%, 0204, E24
0 C 201	59.68.0065	10u		EL 16V, 4.0*5.7	0 R 15	57.60.1103		10k	MF, 1%, 0204, E24
0 C 202	59.60.3325	10n		CER 50V, 10%, X7R, 0805	0 R 16	57.69.1097		10k	CF 5% 0603
0 C 203	59.60.3325	10n		CER 50V, 10%, X7R, 0805	0 R 17	57.69.1097		10k	CF 5% 0603
0 C 204	59.60.3333	47n		CER 50V, 10%, X7R, 0805	0 R 18	57.69.1097		10k	CF 5% 0603
0 C 205	59.60.3337	100n		CER 50V, 10%, X7R, 0805	0 R 19	57.69.1097		10k	CF 5% 0603
0 C 301	59.68.0065	10u		EL 16V, 4.0*5.7	0 R 20	57.60.1222		2k2	MF, 1%, 0204, E24
0 C 302	59.60.3325	10n		CER 50V, 10%, X7R, 0805	0 R 21	57.69.1097		10k	CF 5% 0603
0 C 303	59.60.3325	10n		CER 50V, 10%, X7R, 0805	0 R 22	57.69.1097		10k	CF 5% 0603
0 C 304	59.60.3333	47n		CER 50V, 10%, X7R, 0805	0 R 23	57.60.1103		10k	MF, 1%, 0204, E24
0 C 305	59.60.3337	100n		CER 50V, 10%, X7R, 0805	0 R 24	57.60.1103		10k	MF, 1%, 0204, E24
0 C 401	59.68.0065	10u		EL 16V, 4.0*5.7	0 R 25	57.69.1097		10k	CF 5% 0603
0 C 402	59.60.3325	10n		CER 50V, 10%, X7R, 0805	0 R 26	57.11.3822		8k2	MF, 1%, 0207
0 C 403	59.60.3325	10n		CER 50V, 10%, X7R, 0805	0 R 27	57.60.1103		10k	MF, 1%, 0204, E24
0 C 404	59.60.3333	47n		CER 50V, 10%, X7R, 0805	0 R 28	57.60.1103		10k	MF, 1%, 0204, E24
0 C 405	59.60.3337	100n		CER 50V, 10%, X7R, 0805	0 R 29	57.60.1103		10k	MF, 1%, 0204, E24
0 C 501	59.68.0065	10u		EL 16V, 4.0*5.7	0 R 30	57.69.1097		10k	CF 5% 0603
0 C 502	59.60.3325	10n		CER 50V, 10%, X7R, 0805	0 R 31	57.60.1562		5k6	MF, 1%, 0204, E24
0 C 503	59.60.3325	10n		CER 50V, 10%, X7R, 0805	0 R 32	57.60.1101		100R	MF, 1%, 0204, E24
0 C 504	59.60.3333	47n		CER 50V, 10%, X7R, 0805	0 R 33	57.60.1392		3k9	MF, 1%, 0204, E24
0 C 505	59.60.3337	100n		CER 50V, 10%, X7R, 0805	0 R 34	57.60.1123		12k	MF, 1%, 0204, E24
0 C 601	59.68.0065	10u		EL 16V, 4.0*5.7	0 R 35	57.60.1104		100k	MF, 1%, 0204, E24
0 C 602	59.60.3325	10n		CER 50V, 10%, X7R, 0805	0 R 36	57.60.1100		10R	MF, 1%, 0204, E24
0 C 603	59.60.3325	10n		CER 50V, 10%, X7R, 0805	0 R 37	57.69.1097		10k	CF 5% 0603
0 C 604	59.60.3333	47n		CER 50V, 10%, X7R, 0805	0 R 38	57.69.1097		10k	CF 5% 0603
0 C 605	59.60.3337	100n		CER 50V, 10%, X7R, 0805	0 R 39	57.69.1097		10k	CF 5% 0603
0 C 701	59.68.0065	10u		EL 16V, 4.0*5.7	0 R 40	57.69.1097		10k	CF 5% 0603
0 C 702	59.60.3325	10n		CER 50V, 10%, X7R, 0805	0 R 41	57.69.1097		10k	CF 5% 0603
0 C 703	59.60.3325	10n		CER 50V, 10%, X7R, 0805	0 R 42	57.60.1220		22R	MF, 1%, 0204, E24
0 C 704	59.60.3333	47n		CER 50V, 10%, X7R, 0805	0 R 43	57.60.1103		10k	MF, 1%, 0204, E24
0 C 705	59.60.3337	100n		CER 50V, 10%, X7R, 0805	0 R 44	57.60.1103		10k	MF, 1%, 0204, E24
0 C 801	59.68.0065	10u		EL 16V, 4.0*5.7	0 R 45	57.60.1102		1k0	MF, 1%, 0204, E24
0 C 802	59.60.3325	10n		CER 50V, 10%, X7R, 0805	0 R 46	57.69.1097		10k	CF 5% 0603
0 C 803	59.60.3325	10n		CER 50V, 10%, X7R, 0805	0 R 47	57.69.1097		10k	CF 5% 0603
0 C 804	59.60.3333	47n		CER 50V, 10%, X7R, 0805	0 R 48	57.69.1097		10k	CF 5% 0603
0 C 805	59.60.3337	100n		CER 50V, 10%, X7R, 0805	0 R 49	57.69.1097		10k	CF 5% 0603
0 C 901	59.68.0065	10u		EL 16V, 4.0*5.7	0 R 50	57.69.1097		10k	CF 5% 0603
0 C 902	59.60.3325	10n		CER 50V, 10%, X7R, 0805	0 R 51	57.69.1097		10k	CF 5% 0603
0 C 903	59.60.3325	10n		CER 50V, 10%, X7R, 0805	0 R 52	57.69.1097		10k	CF 5% 0603
0 C 904	59.60.3333	47n		CER 50V, 10%, X7R, 0805	0 R 53	57.60.1222		2k2	MF, 1%, 0204, E24
0 C 905	59.60.3337	100n		CER 50V, 10%, X7R, 0805	0 R 101	57.60.1220		22R	MF, 1%, 0204, E24
0 DL 1	50.04.2202		HLMP1790	DL HLMP - 1790 GN	0 R 102	57.60.1102		1k0	MF, 1%, 0204, E24
0 DS 1	55.01.0164		4*a	DIL-Switch, PCB	0 R 103	57.60.1221		220R	MF, 1%, 0204, E24
0 IC 1	89.10.0111		TOTX173	Toslink Transmitter	0 R 104	57.60.1221		220R	MF, 1%, 0204, E24
0 IC 2	89.10.0111		TOTX173	Toslink Transmitter	0 R 201	57.60.1220		22R	MF, 1%, 0204, E24
0 IC 3	50.15.0128		34CB6	IC DS 34 C 86 TN, MC34CB6P ,A	0 R 202	57.60.1102		1k0	MF, 1%, 0204, E24
0 IC 4	50.15.0128		34CB6	IC DS 34 C 86 TN, MC34CB6P ,A	0 R 203	57.60.1221		220R	MF, 1%, 0204, E24
0 IC 5	1.940.954.20			SW 495 ADATO (50.63.4298)	0 R 204	57.60.1221		220R	MF, 1%, 0204, E24
0 IC 6	50.61.0205		TS272CD	Dual Op-Amp CMOS SO 8	0 R 301	57.60.1220		22R	MF, 1%, 0204, E24
0 IC 7	50.62.4946		74HCT9046	PLL with bandgap contr VCO	0 R 302	57.60.1102		1k0	MF, 1%, 0204, E24
0 IC 8	50.63.4210		EPF10K10	PLD 10 000 gates	0 R 303	57.60.1221		220R	MF, 1%, 0204, E24
0 IC 9	50.17.0541		74HCT541	IC .. 74 HCT541 .. ,A	0 R 304	57.60.1221		220R	MF, 1%, 0204, E24
0 IC 10	50.17.0541		74HCT541	IC .. 74 HCT541 .. ,A	0 R 401	57.60.1220		22R	MF, 1%, 0204, E24
0 IC 11	50.62.8014		74ACT 14	Hex inverting Schmitt trigger	0 R 402	57.60.1102		1k0	MF, 1%, 0204, E24
0 IC 12	50.15.0128		34CB6	IC DS 34 C 86 TN, MC34CB6P ,A	0 R 403	57.60.1221		220R	MF, 1%, 0204, E24
0 IC 101	50.62.0913		CS8412	AES-Receiver	0 R 404	57.60.1221		220R	MF, 1%, 0204, E24

D19M ADATO with AES IN 1.940.496.20 (1)

Idx. Pos.	Part No.	Qty.	Tvpe/Val.	Description	Idx. Pos.	Part No.	Qty.	Tvpe/Val.	Description
0	R 501	57.60.1220	22R	MF, 1%, 0204, E24					
0	R 502	57.60.1102	1k0	MF, 1%, 0204, E24					
0	R 503	57.60.1221	220R	MF, 1%, 0204, E24					
0	R 504	57.60.1221	220R	MF, 1%, 0204, E24					
0	R 601	57.60.1220	22R	MF, 1%, 0204, E24					
0	R 602	57.60.1102	1k0	MF, 1%, 0204, E24					
0	R 603	57.60.1221	220R	MF, 1%, 0204, E24					
0	R 604	57.60.1221	220R	MF, 1%, 0204, E24					
0	R 701	57.60.1220	22R	MF, 1%, 0204, E24					
0	R 702	57.60.1102	1k0	MF, 1%, 0204, E24					
0	R 703	57.60.1221	220R	MF, 1%, 0204, E24					
0	R 704	57.60.1221	220R	MF, 1%, 0204, E24					
0	R 801	57.60.1220	22R	MF, 1%, 0204, E24					
0	R 802	57.60.1102	1k0	MF, 1%, 0204, E24					
0	R 803	57.60.1221	220R	MF, 1%, 0204, E24					
0	R 804	57.60.1221	220R	MF, 1%, 0204, E24					
0	R 901	57.60.1220	22R	MF, 1%, 0204, E24					
0	R 902	57.60.1102	1k0	MF, 1%, 0204, E24					
0	R 903	57.60.1104	100k	MF, 1%, 0204, E24					
0	R 904	57.60.1221	220R	MF, 1%, 0204, E24					
0	R 905	57.60.1221	220R	MF, 1%, 0204, E24					
0	T 101	1.022.632.00	1:1	DI/DO TRANSFORMER					
0	T 201	1.022.632.00	1:1	DI/DO TRANSFORMER					
0	T 301	1.022.632.00	1:1	DI/DO TRANSFORMER					
0	T 401	1.022.632.00	1:1	DI/DO TRANSFORMER					
0	T 501	1.022.632.00	1:1	DI/DO TRANSFORMER					
0	T 601	1.022.632.00	1:1	DI/DO TRANSFORMER					
0	T 701	1.022.632.00	1:1	DI/DO TRANSFORMER					
0	T 801	1.022.632.00	1:1	DI/DO TRANSFORMER					
0	T 901	1.022.632.00	1:1	DI/DO TRANSFORMER					
0	TP 1	54.33.6010	2.8*0.8	PCB-Flachstecker, gerade					
0	XDL 1	50.20.2501	Spacer	LED-Sockel					
0	XIC 3	53.03.0168	16p	DIL 0.3", lötl, gerade					
0	XIC 4	53.03.0168	16p	DIL 0.3", lötl, gerade					
0	XIC 5	53.03.0168	8p	DIL 0.3", lötl, gerade					
0	XIC 8	53.03.2284	84p	PLCC-Socket					
0	XIC 9	53.03.0165	20p	DIL 0.3", lötl, gerade					
0	XIC 10	53.03.0165	20p	DIL 0.3", lötl, gerade					
0	XIC 12	53.03.0168	16p	DIL 0.3", lötl, gerade					

End of List

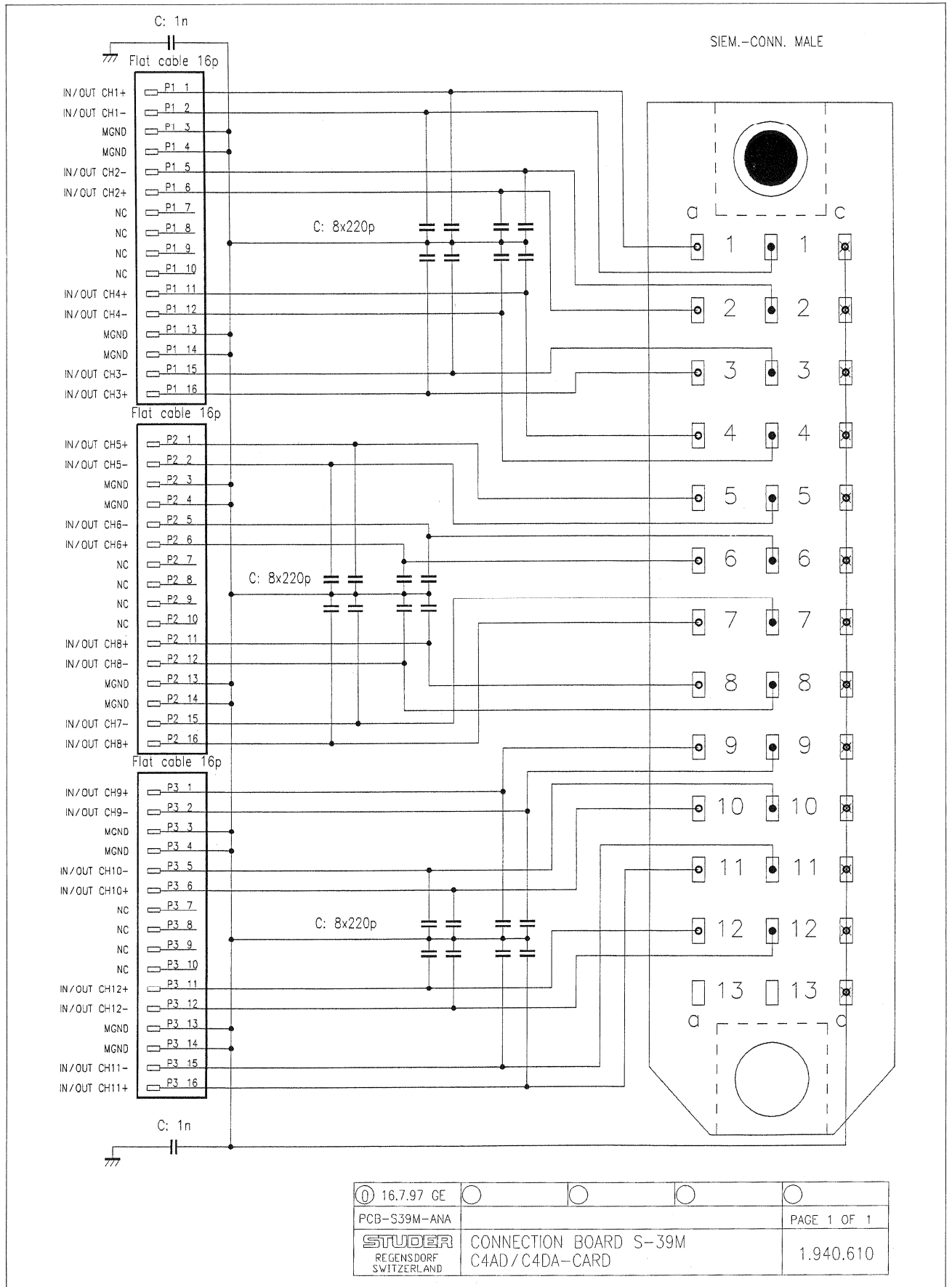
Comments:

(1) 12.04.00 MP 17 not used

CIRCUIT DIAGRAMS: D19m CONNECTION UNITS

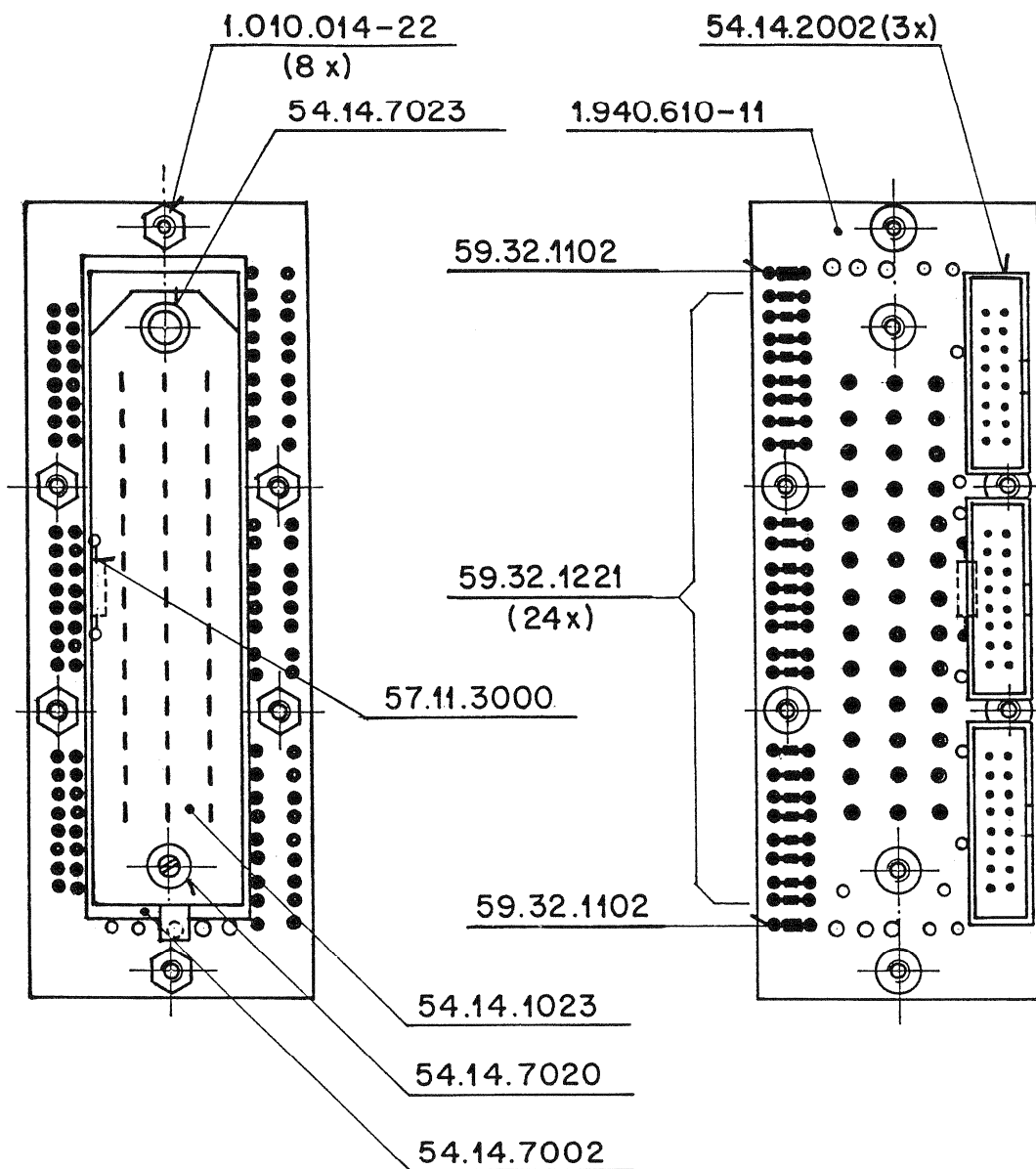
* Connection Unit S39m, gold contacts (analog I/O).....	1.940.609
Connection Unit S39m (analog I/O).....	1.940.610
<i>(* identical with 1.940.610 except the gold contacts)</i>	
Connection Unit 4 × BNC (AES/EBU In).....	1.940.611
Connection Unit 4 × BNC (AES/EBU Out)	1.940.612
Connection Unit S30f (analog In).....	1.940.613
Connection Unit S30m (analog Out)	1.940.614
Connection Unit D15f (AES/EBU In)	1.940.615
Connection Unit D15m (AES/EBU Out).....	1.940.616
Connection Unit 4 × XLR3f (AES/EBU In).....	1.940.617
Connection Unit 4 × XLR3m (AES/EBU Out)	1.940.618
Connection Unit 2 × D25f (GPI/O)	1.940.619
Connection Unit D15f (analog In)	1.940.625
Connection Unit D15m (analog Out).....	1.940.626
Connection Unit 4 × XLR3f (analog In).....	1.940.627
Connection Unit 4 × XLR3m (analog Out)	1.940.628
Connection Unit 2 × D25f (control port).....	1.940.630
Connection Unit 4 × Bantam Jack (analog insert).....	1.940.631
Connection Unit 4 × D25m (dual TDIF I/O).....	1.940.632
Connection Unit 4 × BNC (WCLK Out).....	1.940.633
Connection Unit 2 × D15f (AES/EBU or analog In).....	1.940.635
Connection Unit 2 × D15m (AES/EBU or analog Out)	1.940.636
Connection Unit 4 × XLR3f (AES/EBU In).....	1.940.637
Connection Unit 4 × XLR3m (AES/EBU Out)	1.940.638
Connection Unit S30f, gold contacts (analog Out)	1.940.640
Connection Unit 4 × BNC (AES/EBU In).....	1.940.641
Connection Unit 4 × BNC (AES/EBU Out)	1.940.642

Connection Board S-39M C4AD / C4DA-Card 1.940.610.00



16.7.97 GE			
PCB-S39M-ANA			PAGE 1 OF 1
STUDER REGENSDORF SWITZERLAND	CONNECTION BOARD S-39M C4AD / C4DA-CARD		1.940.610

Connection Board S-39M C4AD / C4DA-Card 1.940.610.00

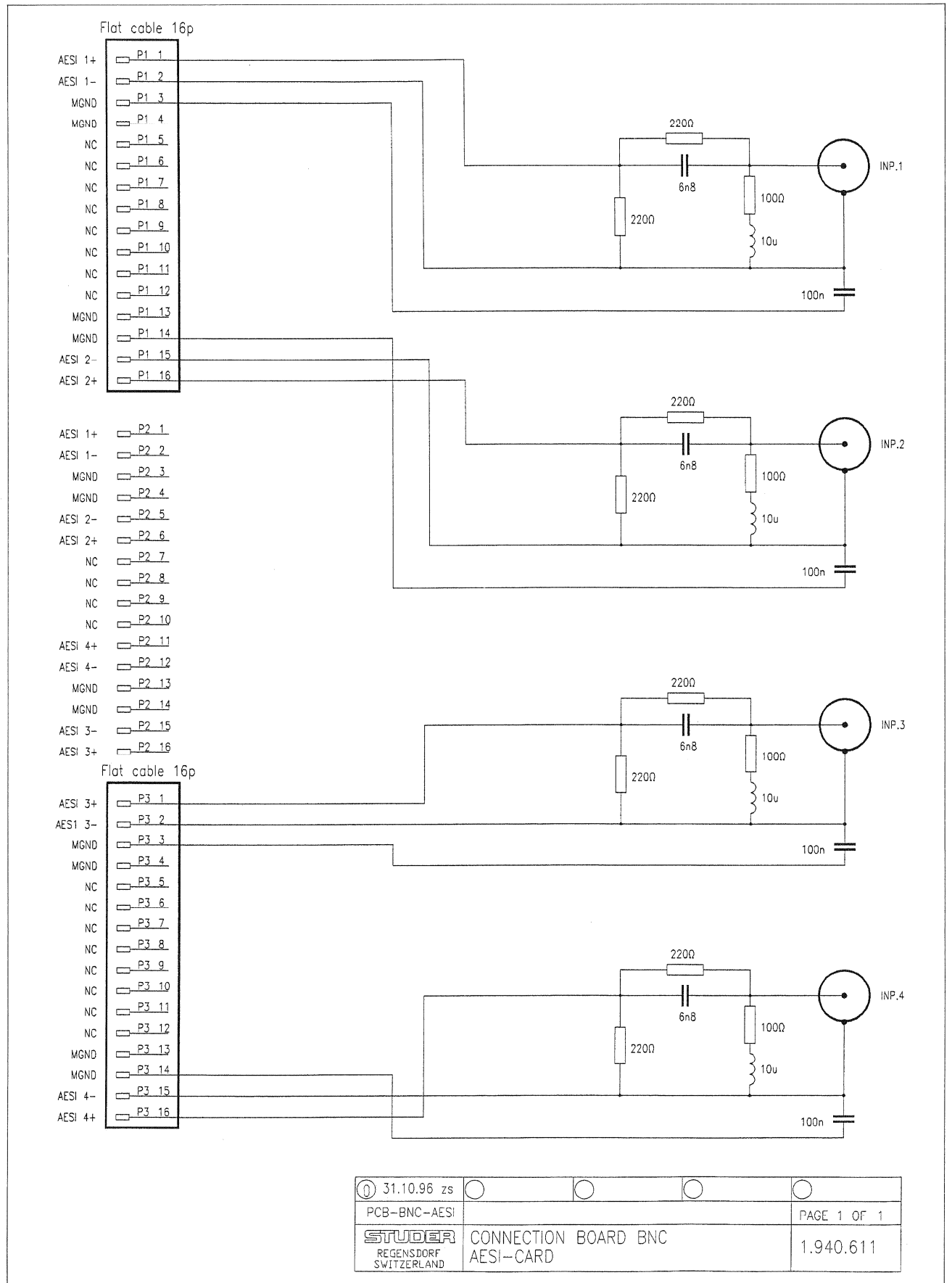


Ausgabe					③
Änderung					②
					①
Datum	19.2.97	Gez.	Gepr.	Ges.	⑤

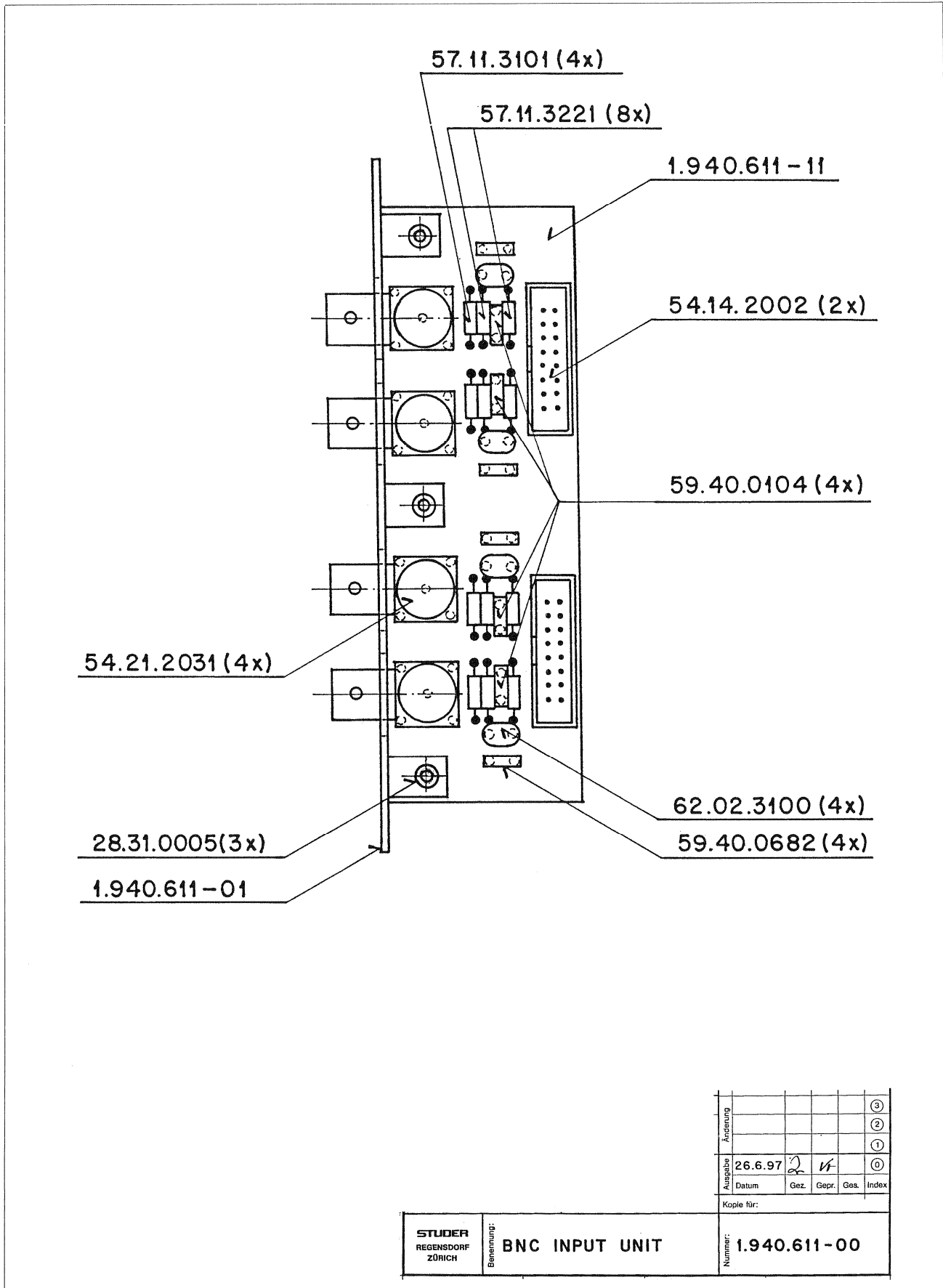
Kopie für:

STUDER REGENSDORF ZÜRICH	Benennung: S 39 M CONNECTION UNIT	Nummer: 1.940.610-00
---------------------------------------	---	--------------------------------

Connection Board BNC AESI-Card 1.940.611.00



Connection Board BNC AESI-Card 1.940.611.00

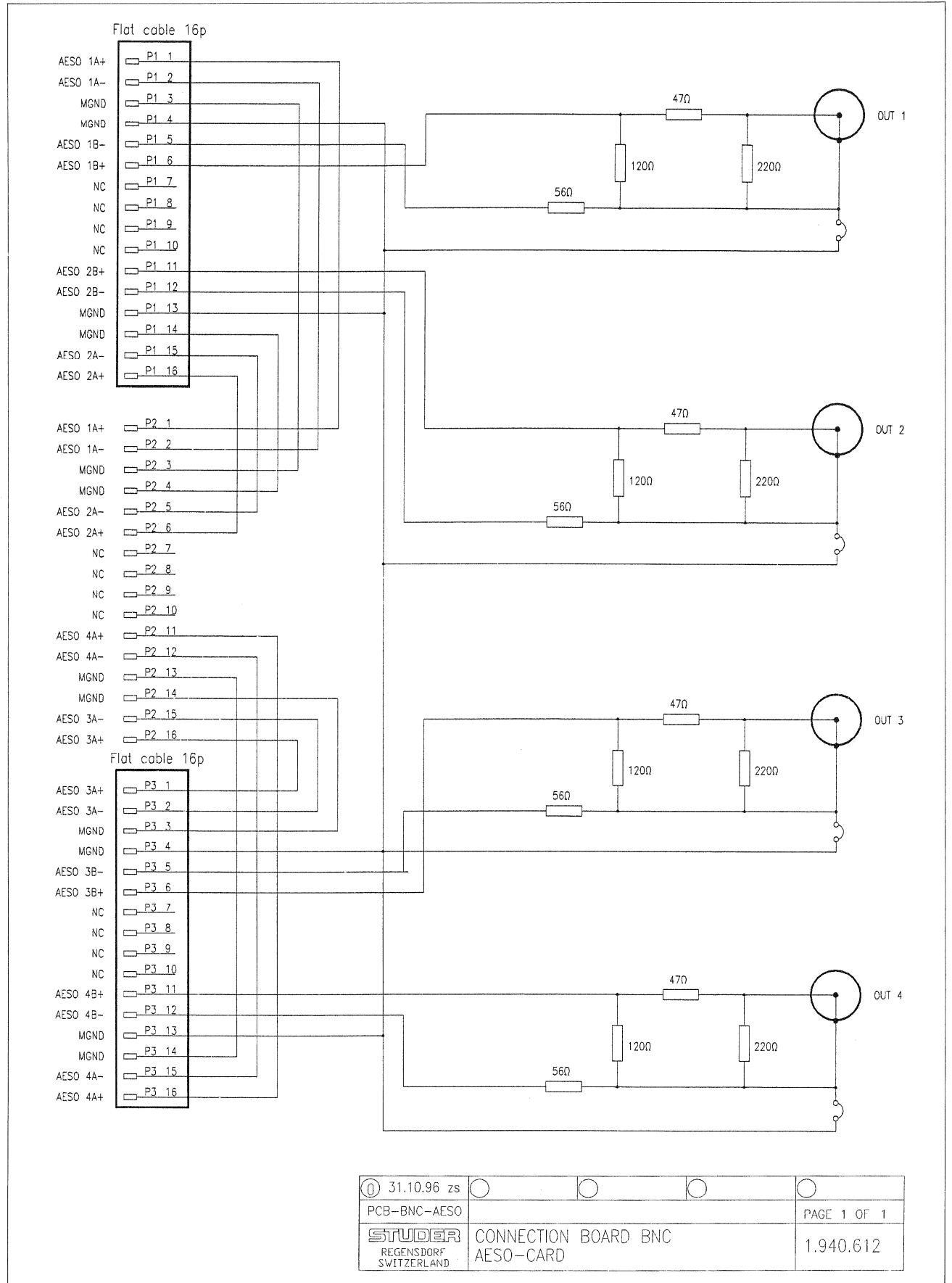


Ausgabe					③
Änderung					②
					①
Ausgabe	26.6.97	2	V		①
Datum	Gez.	Gepr.	Ges.	Index	

Kopie für:

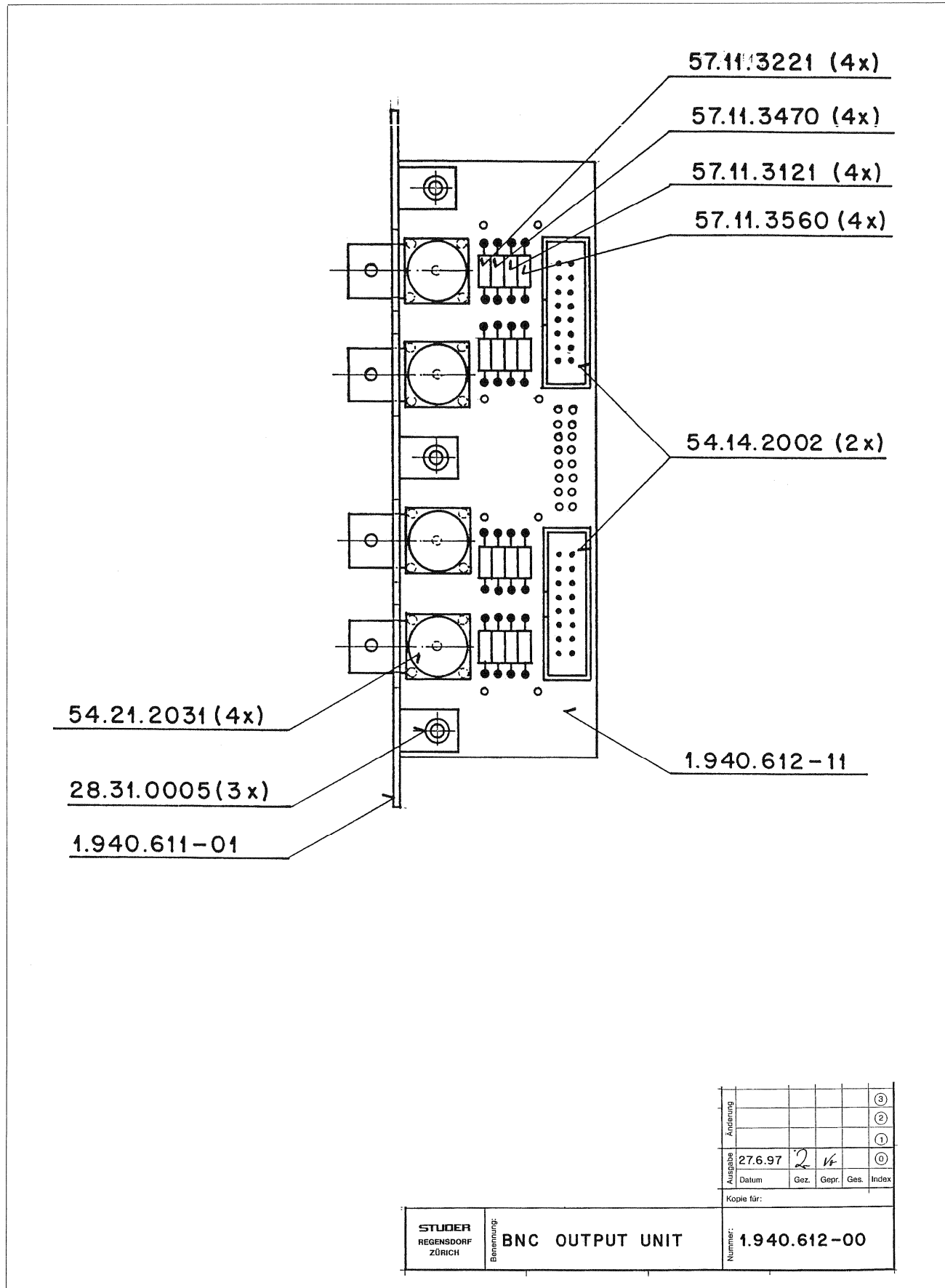
STUDER REGENSDORF ZÜRICH	Benennung: BNC INPUT UNIT	Nummer: 1.940.611-00
---------------------------------------	-------------------------------------	--------------------------------

Connection Board BNC AESO-Card I.940.612.00



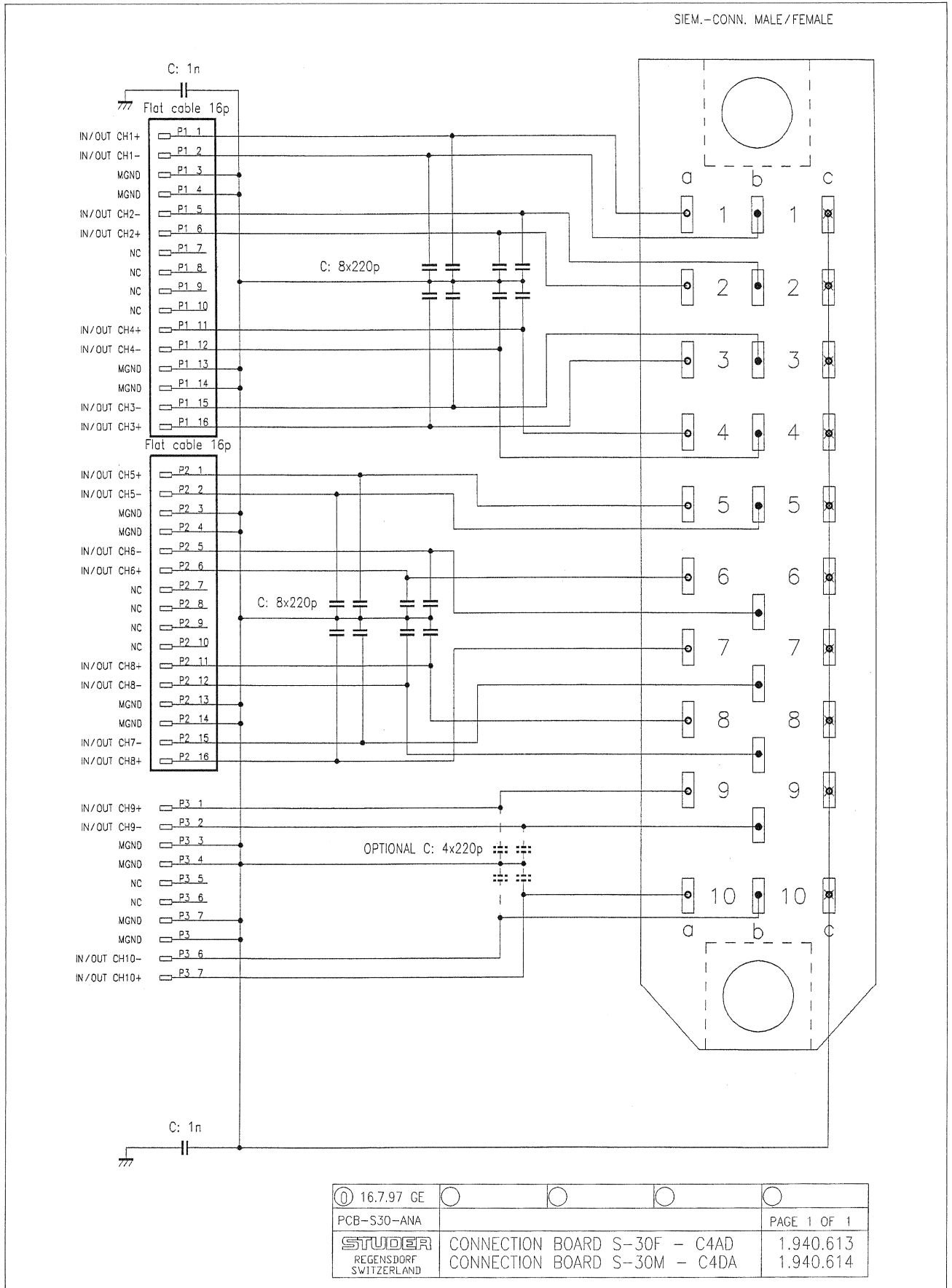
① 31.10.96 zs	○	○	○	○
PCB-BNC-AESO				PAGE 1 OF 1
STUDER REGENSDORF SWITZERLAND	CONNECTION BOARD BNC AESO-CARD			I.940.612

Connection Board BNC AESO-Card 1.940.612.00

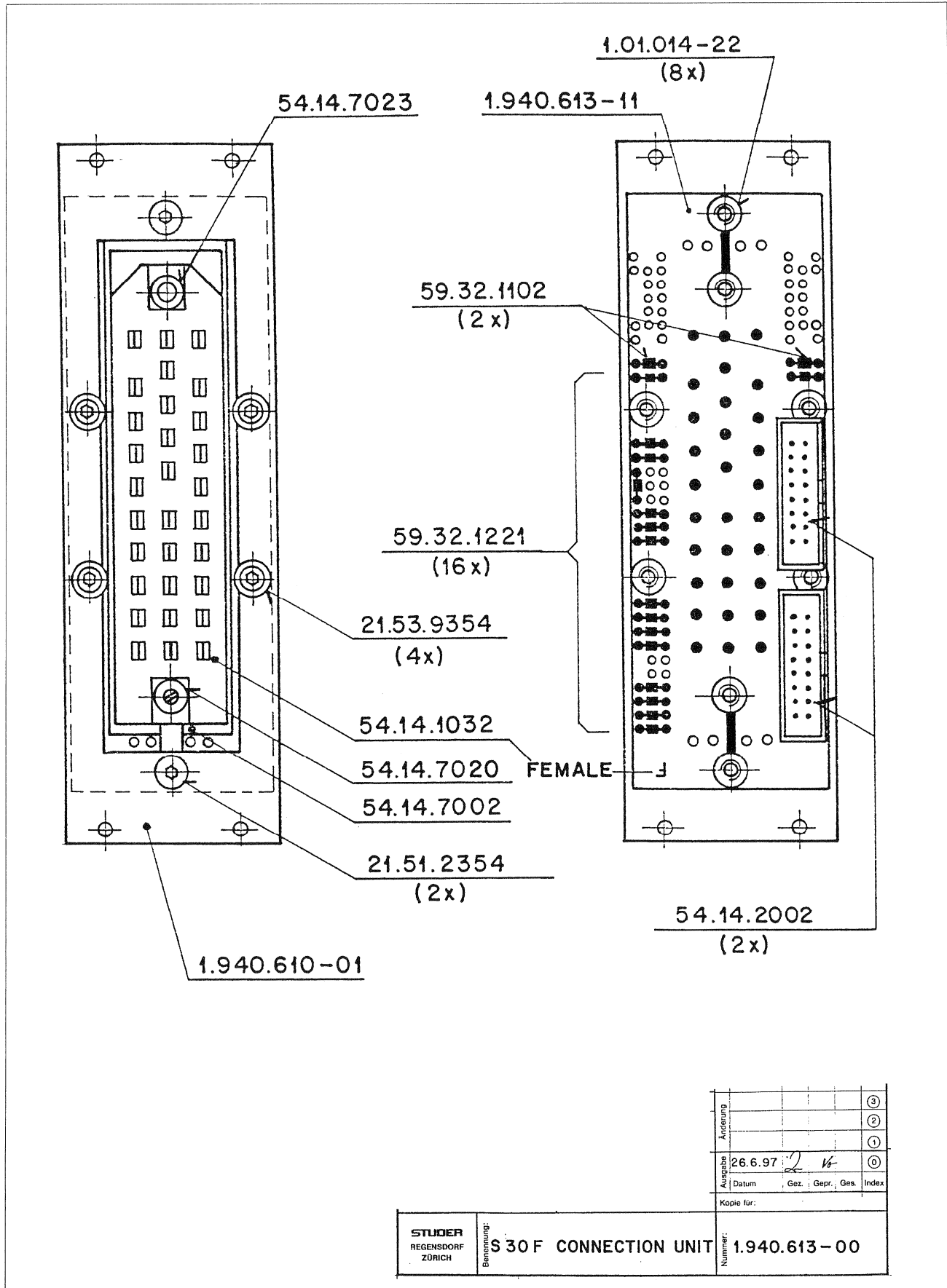


Anänderung					③
					②
					①
Ausgabe	27.6.97	2	1/2		①
Datum	Gez.	Gepr.	Ges.	Index	
Kopie für:					
STUDER REGENSDORF ZÜRICH					
Benennung: BNC OUTPUT UNIT					
Nummer: 1.940.612-00					

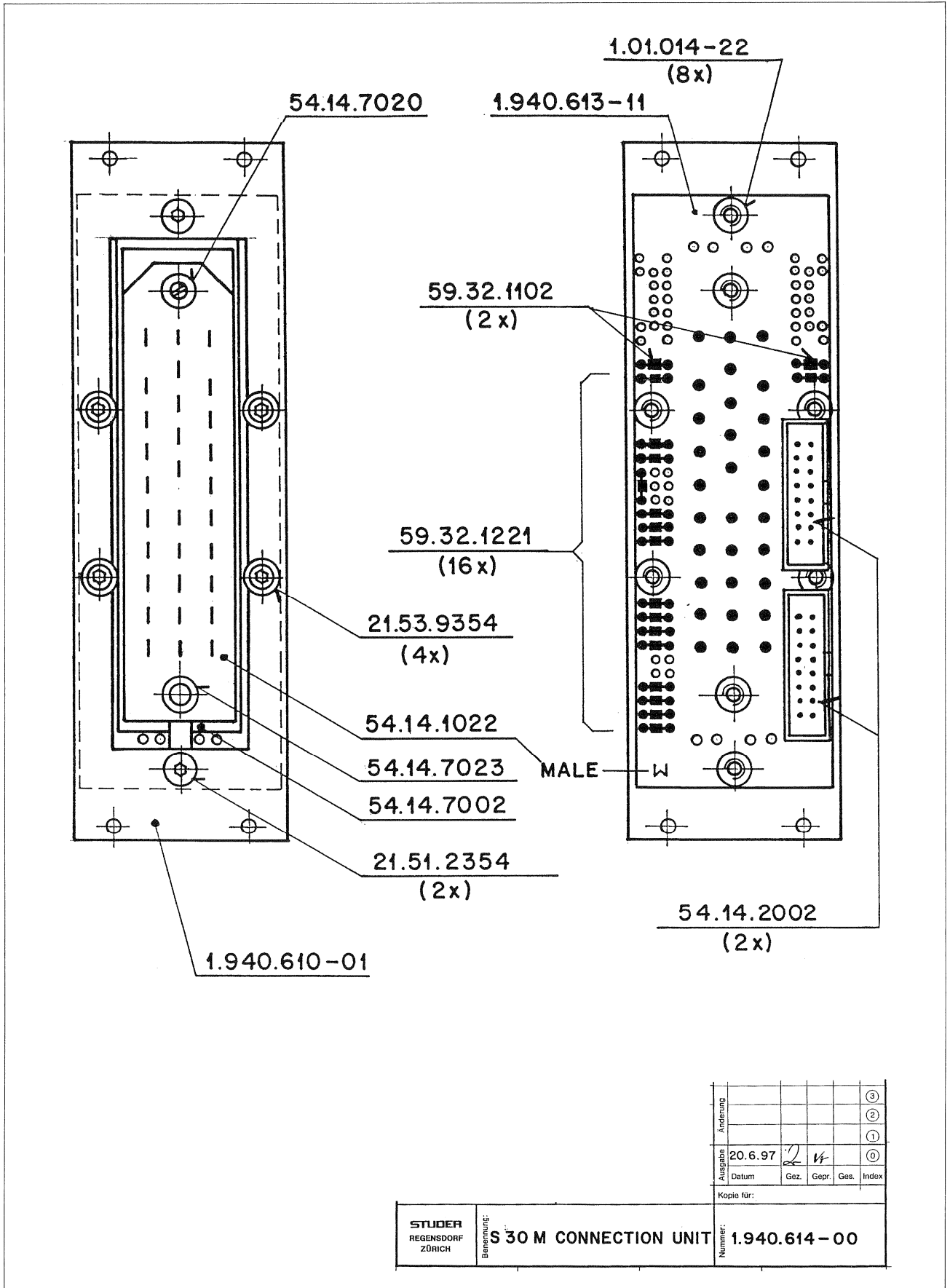
Connection Board S-30F - C4AD 1.940.613.00
Connection Board S-30M - C4DA 1.940.614.00



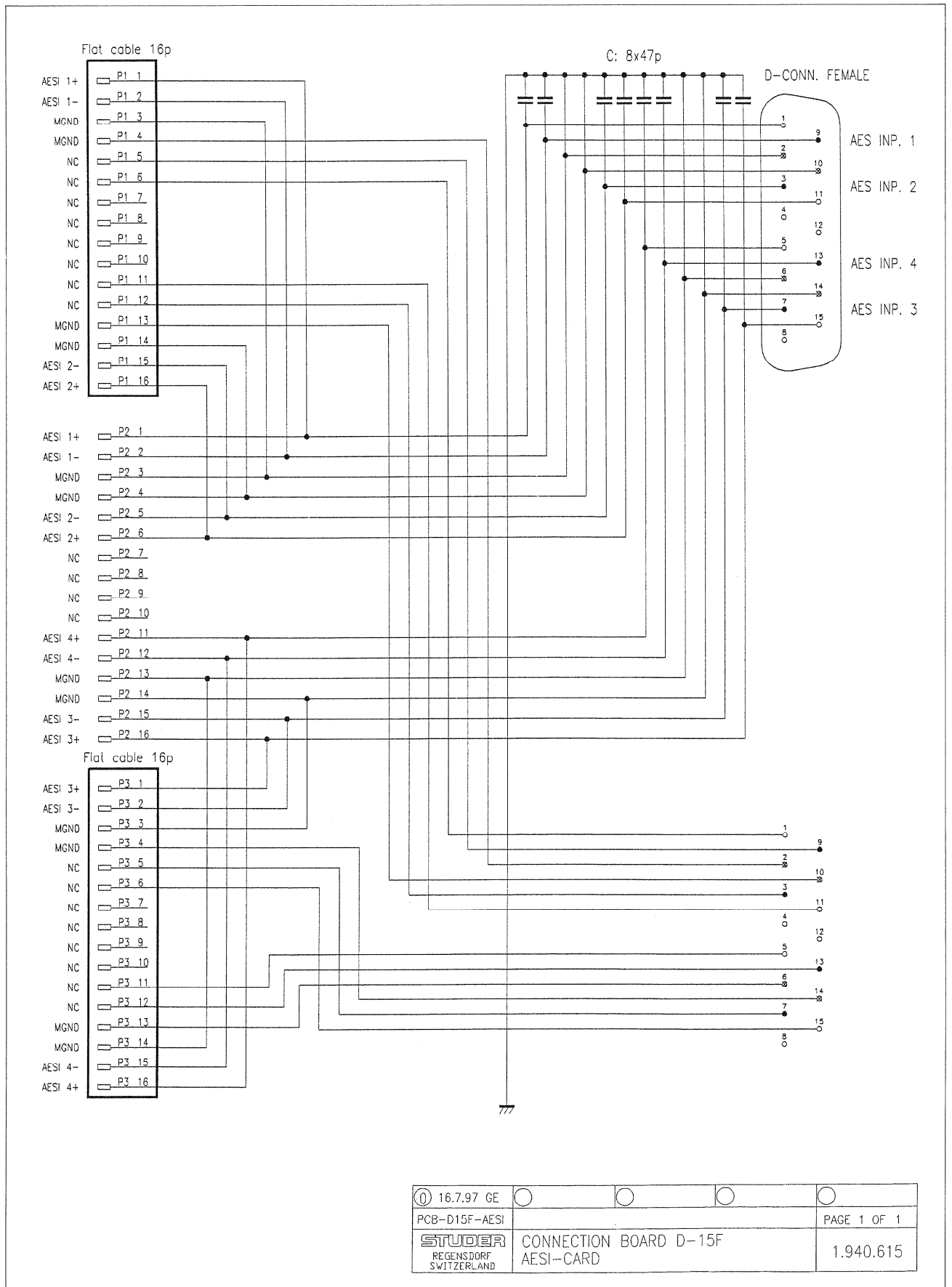
Connection Board S-30F - C4AD 1.940.613.00



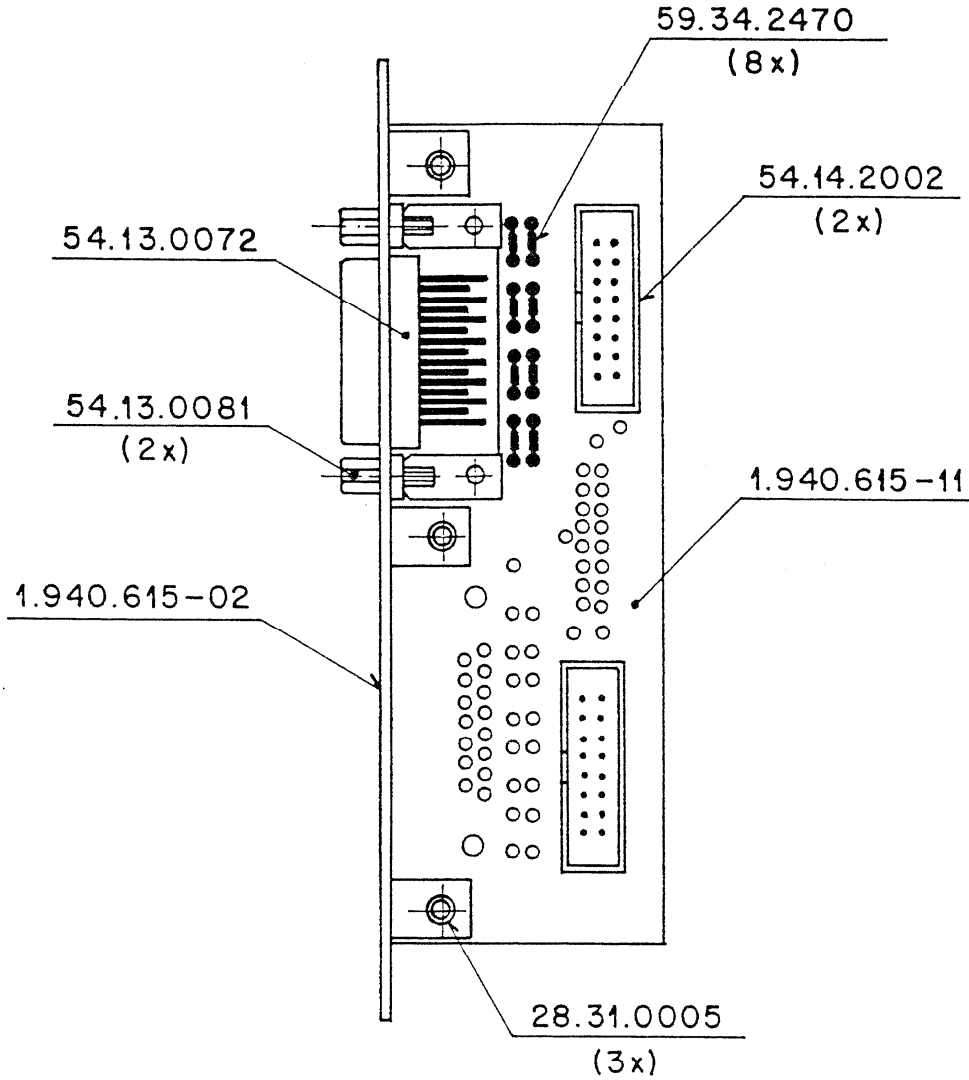
Connection Board S-30M - C4DA 1.940.614.00



Connection Board D-15F AESI-Card 1.940.615.00



Connection Board D-15F AESI-Card 1.940.615.00

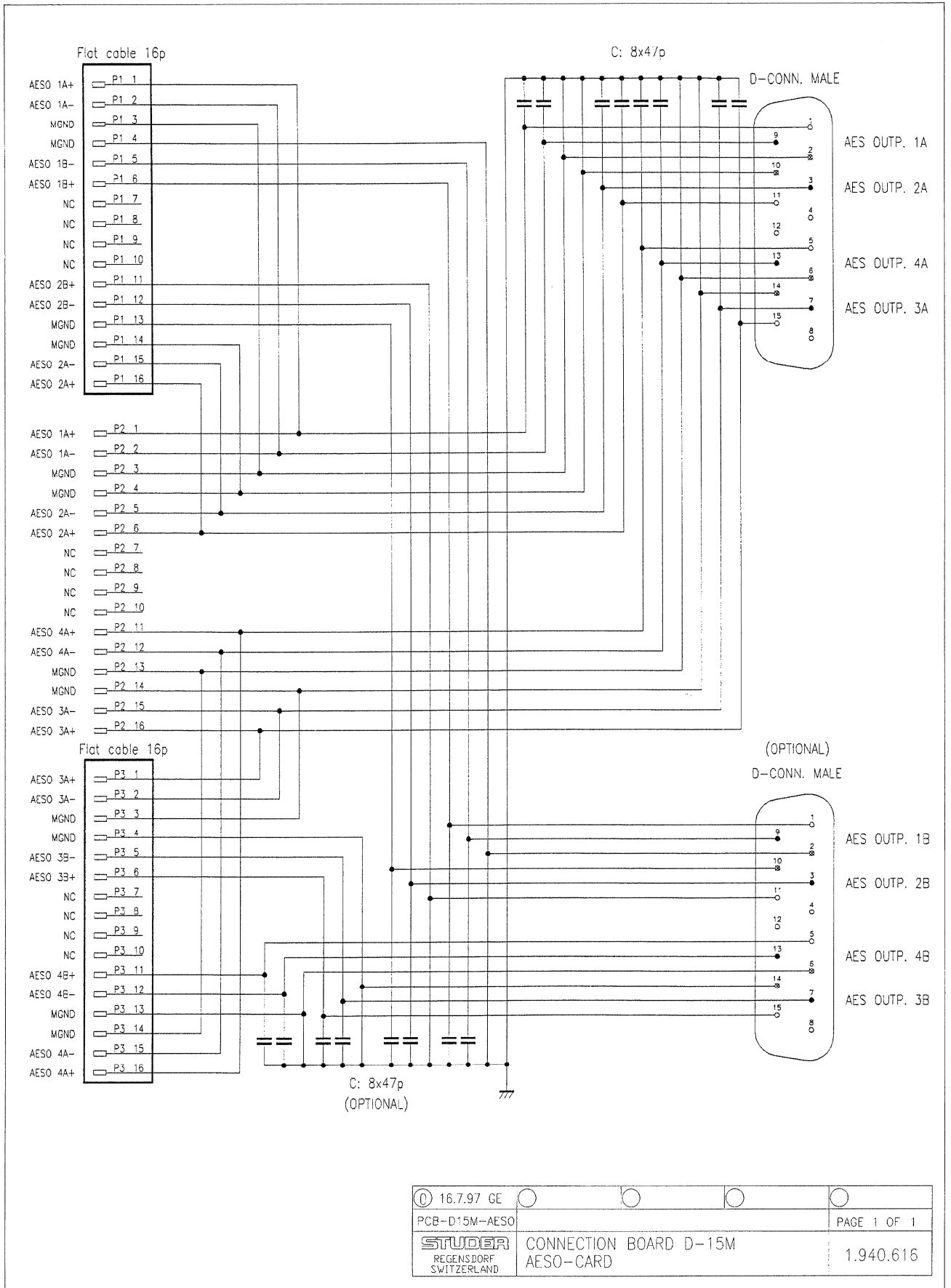


					③
					②
					①
Angegabe	20.2.97	2	V		④
Datum	Gez.	Gepr.	Ges.	Index	

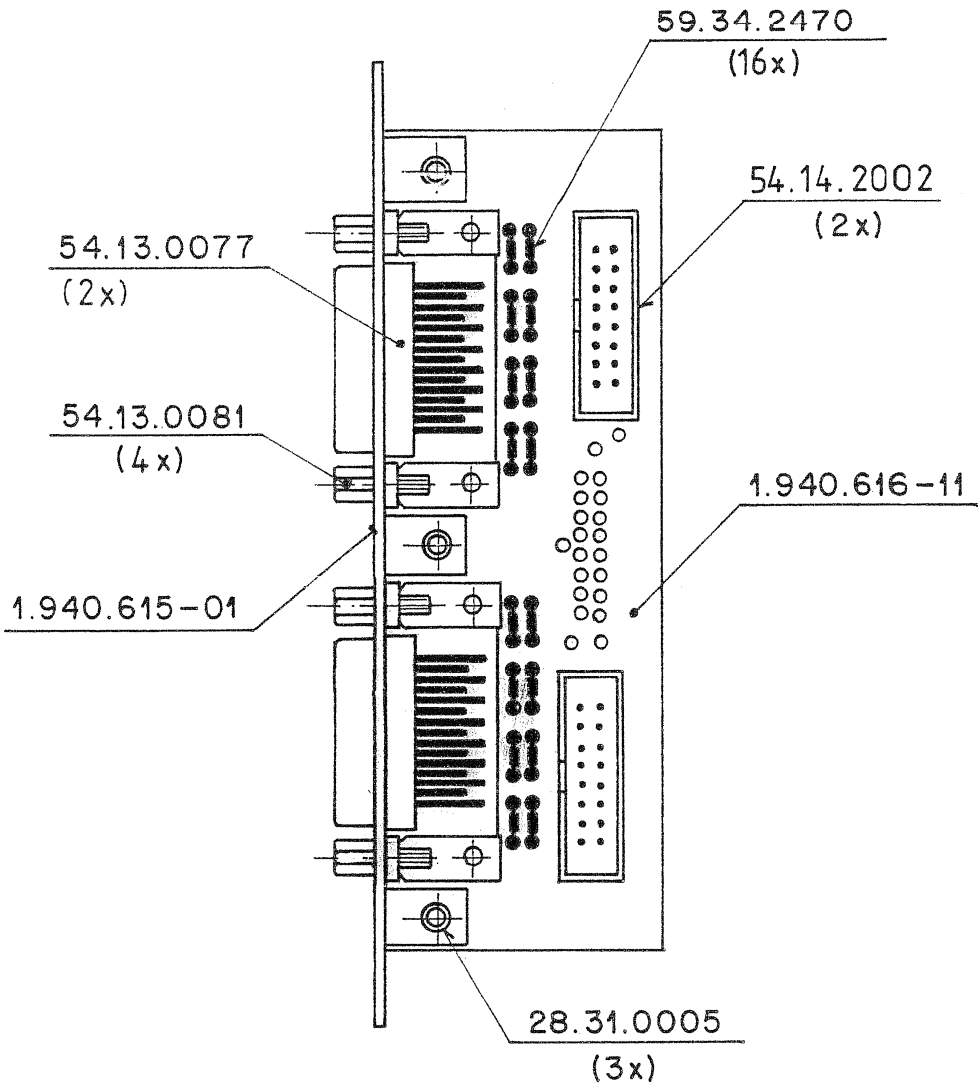
Kopie für:

STUDER REGENSDORF ZÜRICH	Benennung: D15 F CONNECTION UNIT	Nummer:	1.940.615 - 00
		Kopie für:	

Connection Board D-15M AESO-Card 1.940.616



Connection Board D-15m AESO-Card 1.940.616.81



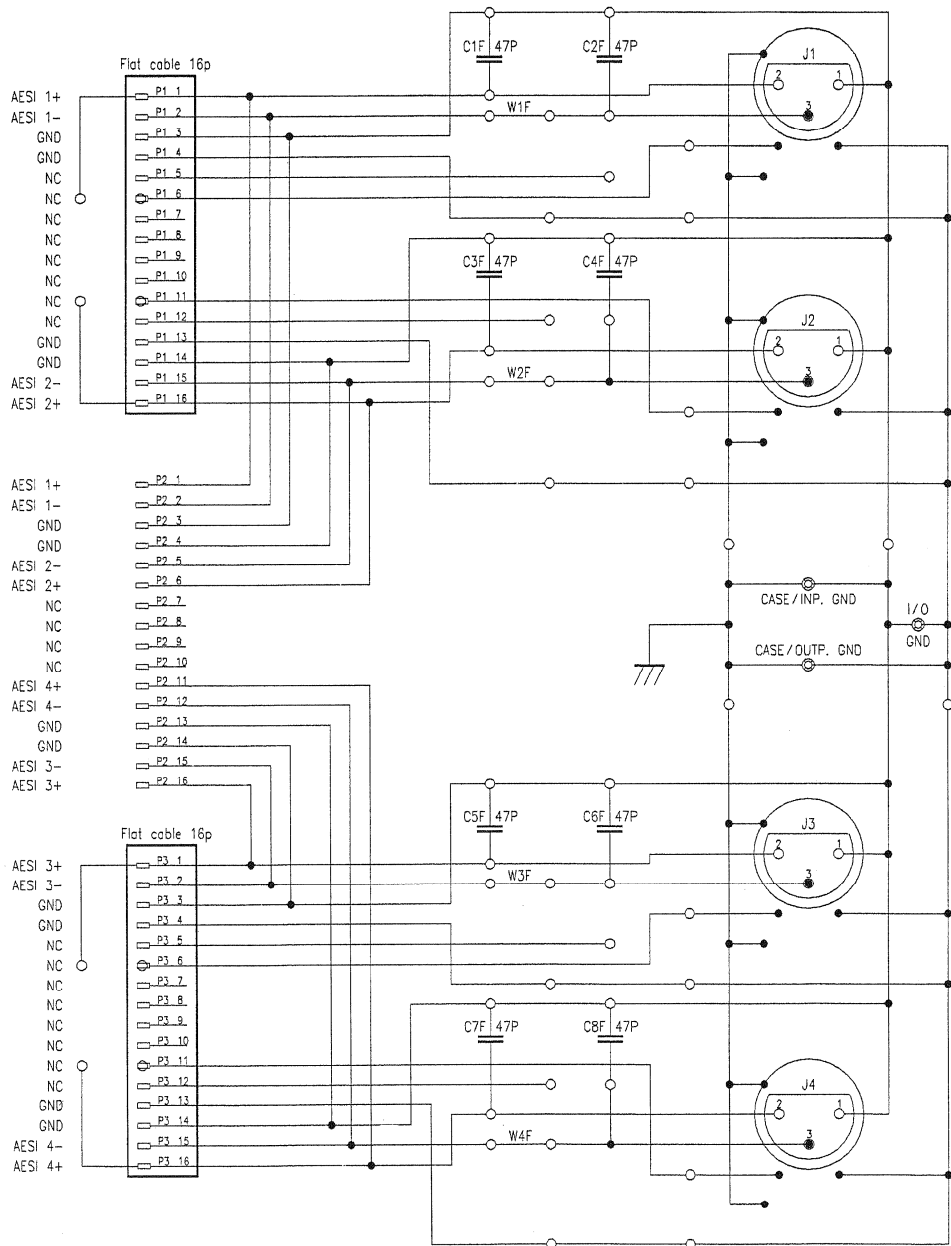
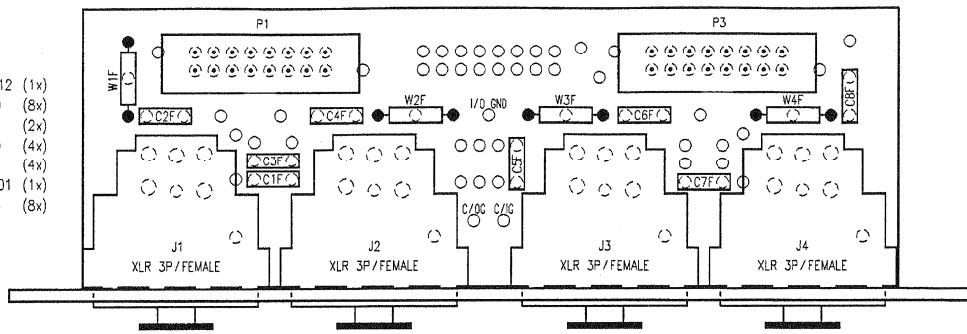
Ausgabe					③
					②
					①
	26.4.99	2	///	///	④
	Datum	Gez.	Gepr.	Ges.	Index

Kopie für:

STUDER REGENSDORF ZÜRICH	Benennung: D 15 M CONNECTION UNIT	Nummer: 1.940.616 - 81
		Kopie für:

XLR Connection AES / EBU Input 1.940.617.81

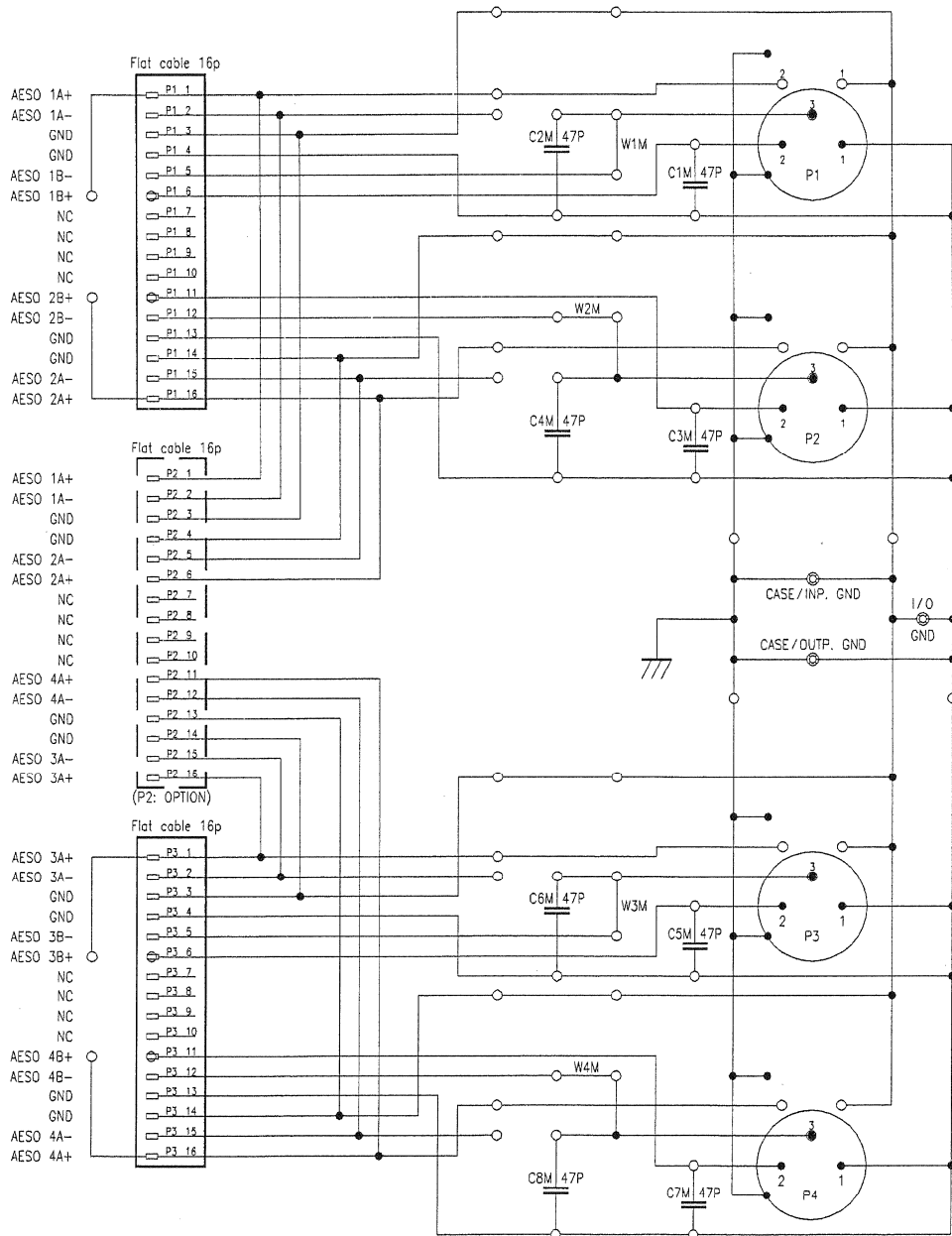
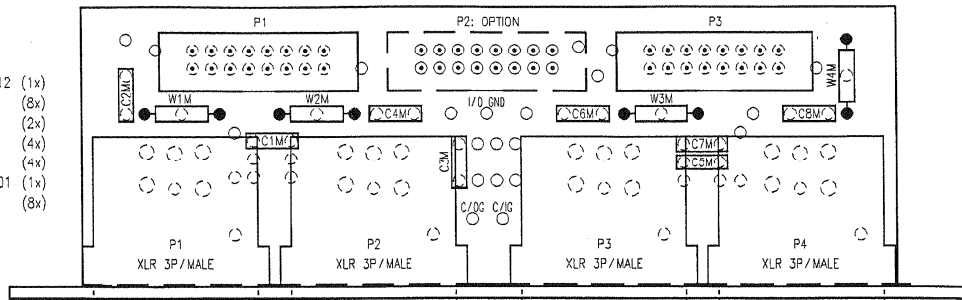
- PCB: 1.940.617.12 (1x)
- C 47pF: 59.34.2470 (8x)
- Px: 54.14.2002 (2x)
- Wxx: 57.11.3000 (4x)
- XLR 3P/F: 54.21.220/ (4x)
- FRONT 1.940.617.01 (1x)
- SCREWS: 20.24.7623 (8x)



05.01.98/BK			
SC1940617-81			PAGE 1 OF 1
STUDER	XLR CONNECTION AES/EBU INPUT		1.940.617.81
REGENSDORF SWITZERLAND			

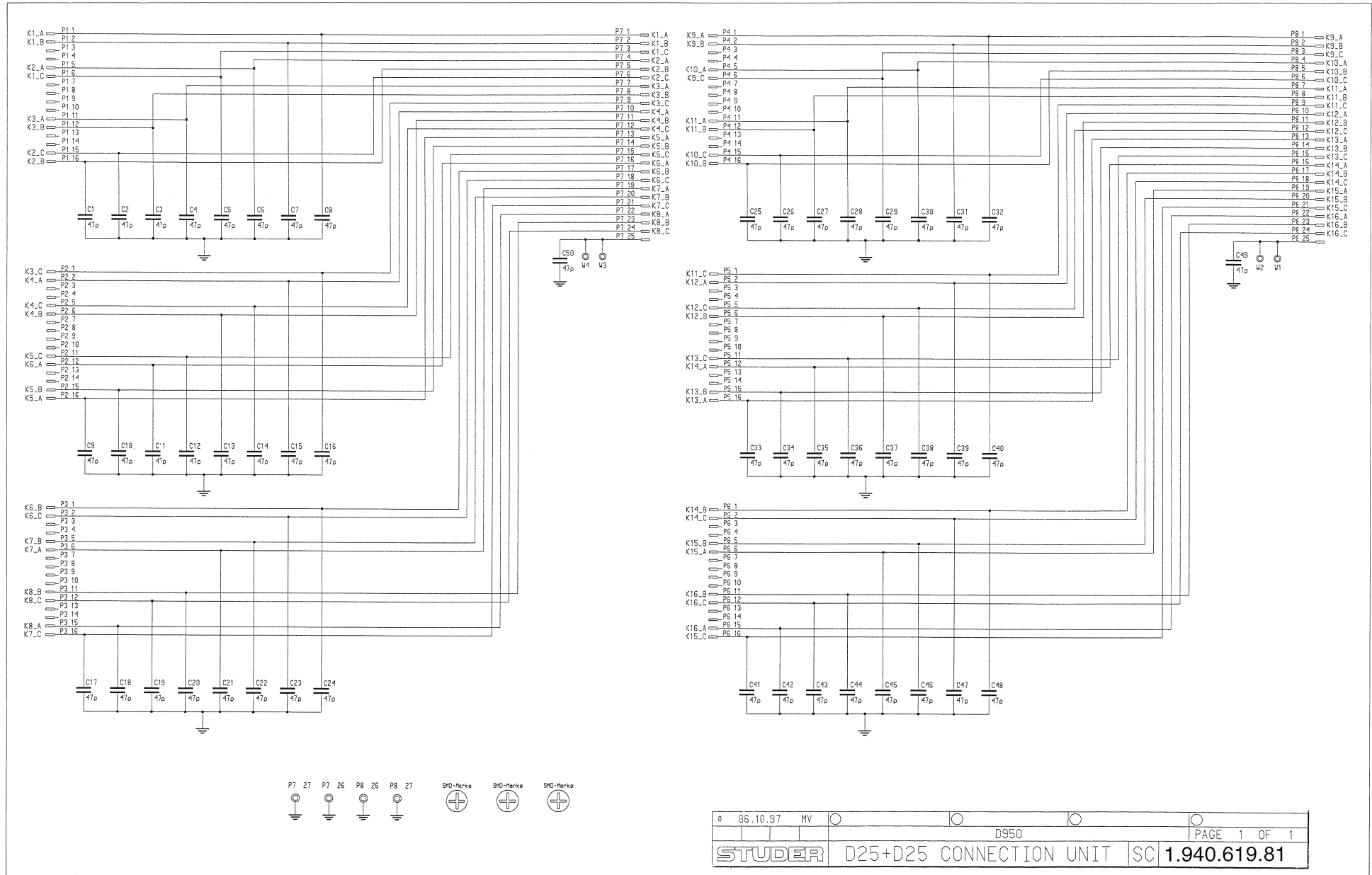
XLR Connection AES / EBU Output 1.940.618.81

- PCB: 1.940.617.12 (1x)
- C 47pF: 59.34.2470 (8x)
- Px: 54.14.2002 (2x)
- Wxx: 57.11.3000 (4x)
- XLR 3P/M: 54.21.2202 (4x)
- FRONT 1.940.617.01 (1x)
- SCREWS: 20.24.7623 (8x)

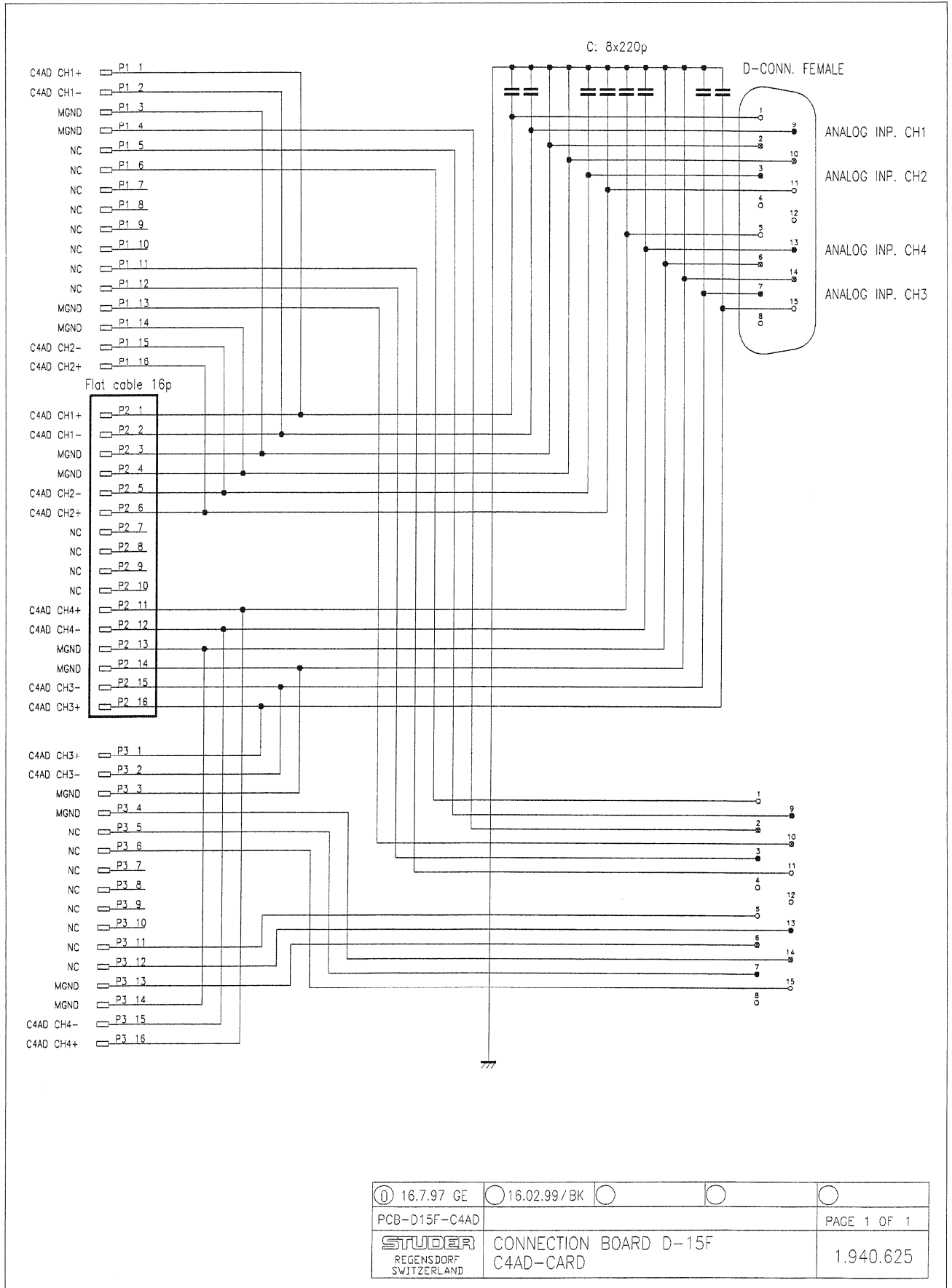


05.01.98/BK			
SC1940618-B1			PAGE 1 OF 1
STUDER REGENSDORF SWITZERLAND	XLR CONNECTION AES/EBU OUTPUT		1.940.618.81

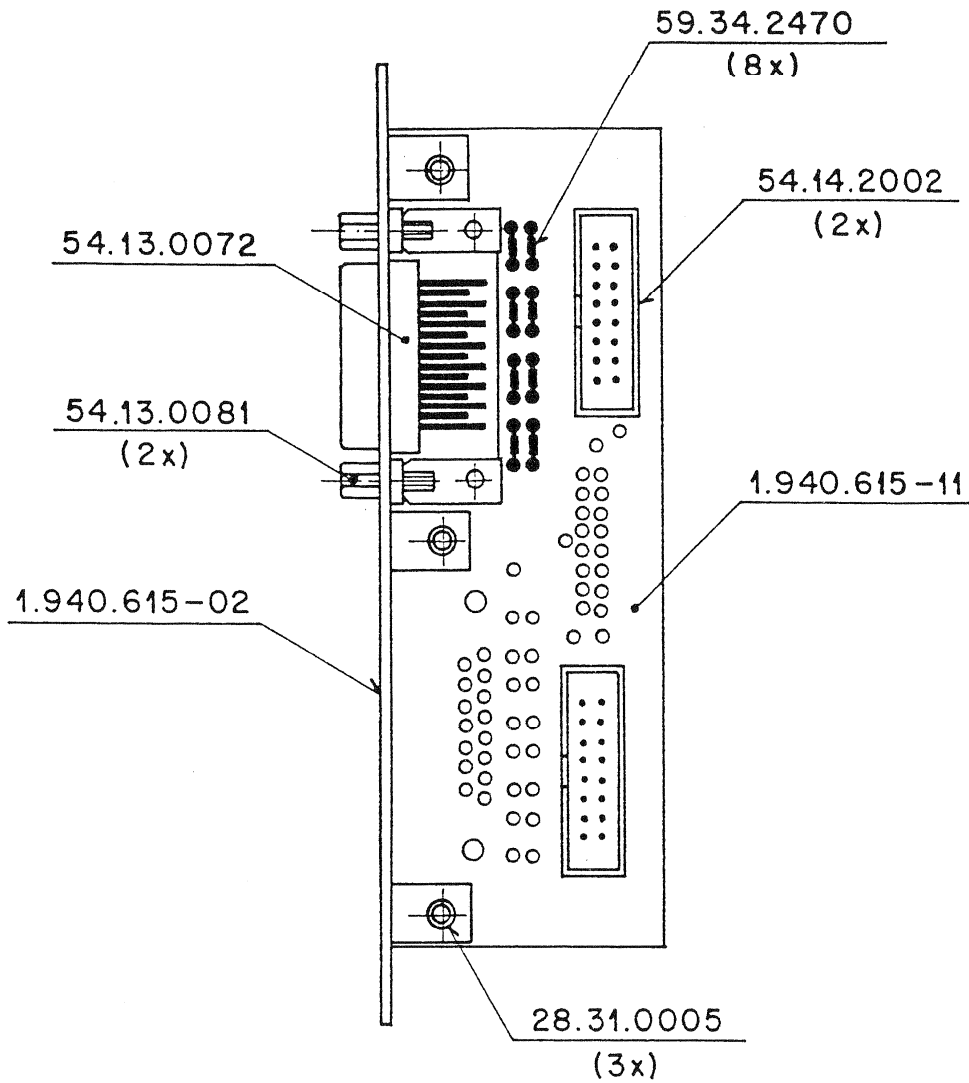
D25 + D25 Connection Unit 1.940.619.81



Connection Board D-15F C4AD-Card 1.940.625.00



Connection Board D-15F C4AD-Card 1.940.625.00

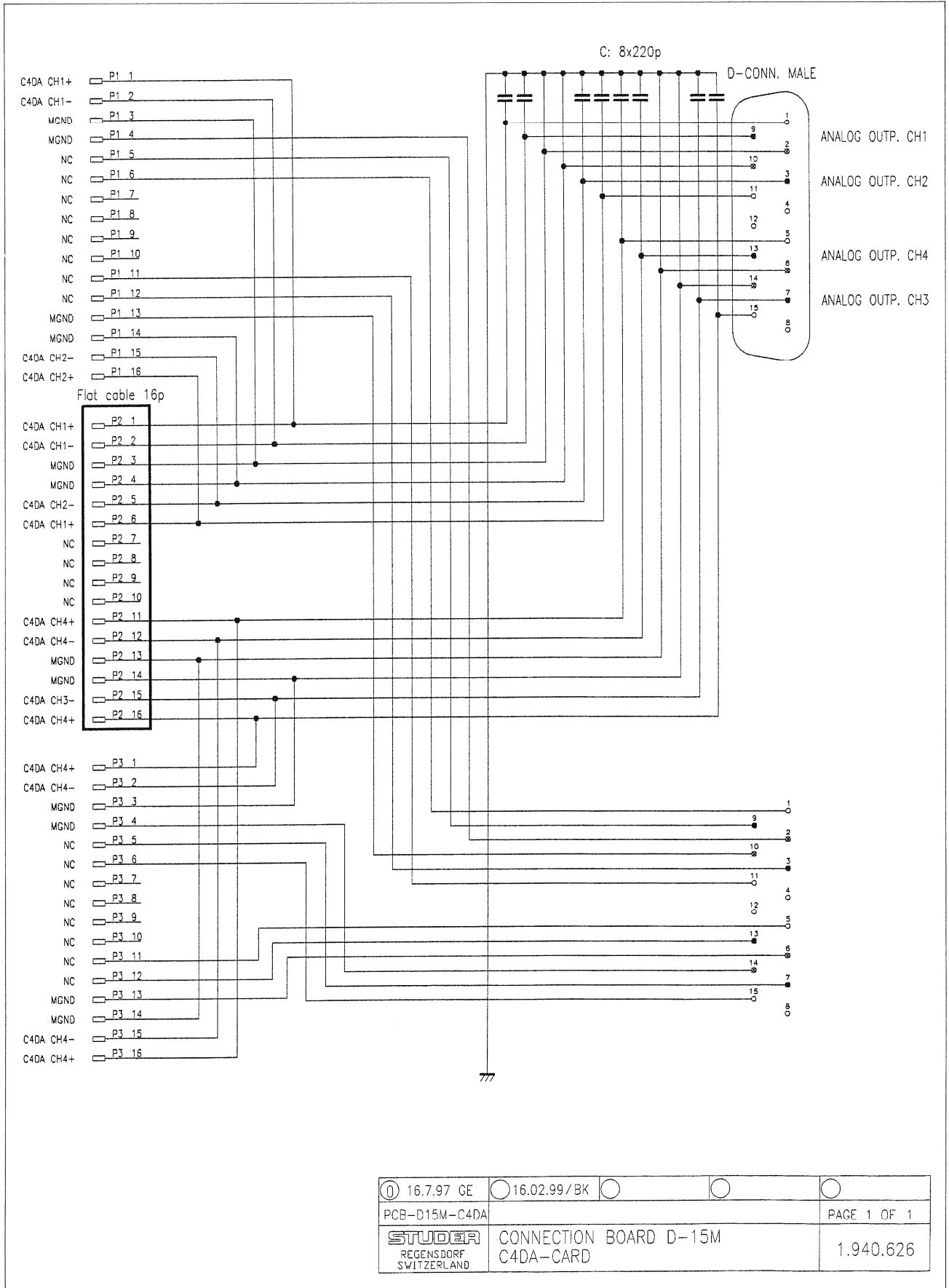


Ausgabe	Änderung				③
					②
					①
					④
Datum	20.2.97	Gez.	Gepr.	Ges.	Index

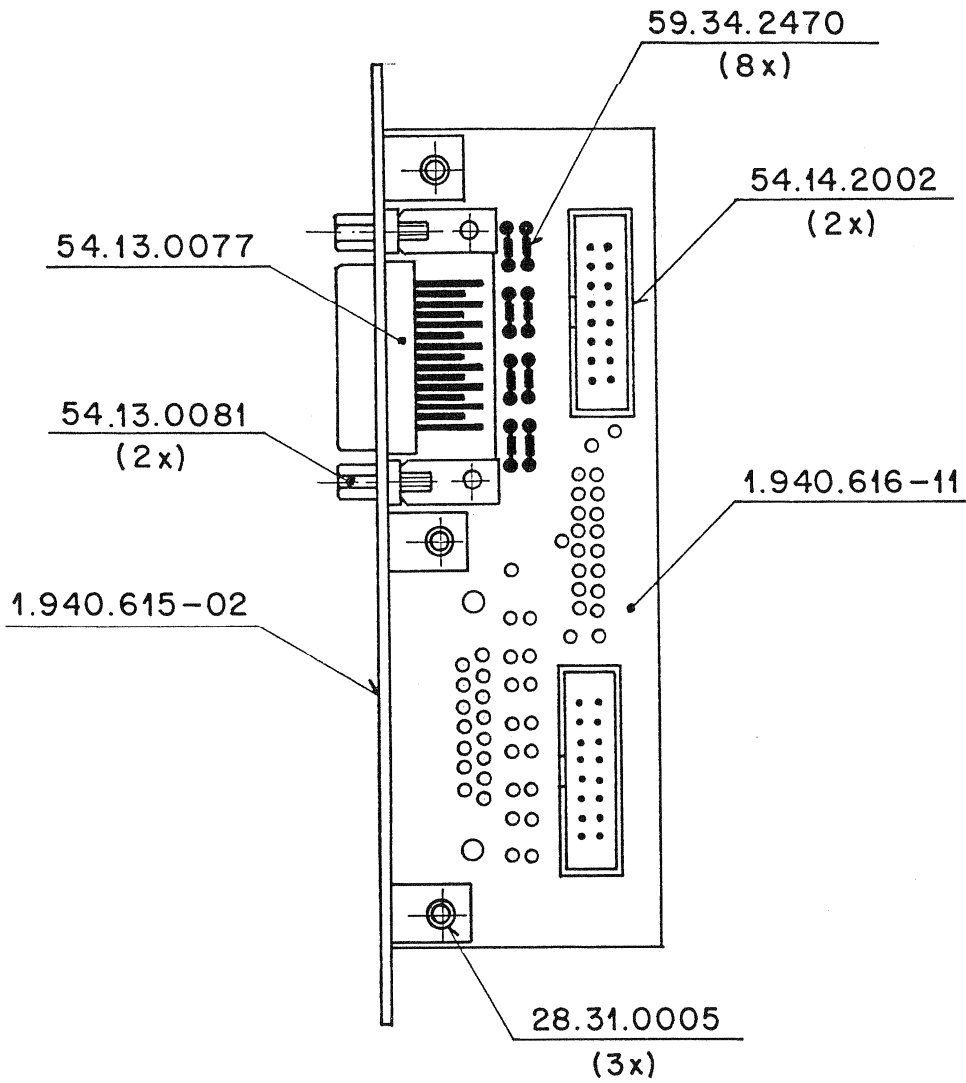
Kopie für:

STUDER REGENSDORF ZÜRICH	Benennung:	D 15 F CONNECTION UNIT			
		Nummer:	1.940.625		

Connection Board D-15m C4DA-Card 1.940.626.00



Connection Board D-15m C4DA-Card 1.940.626.00

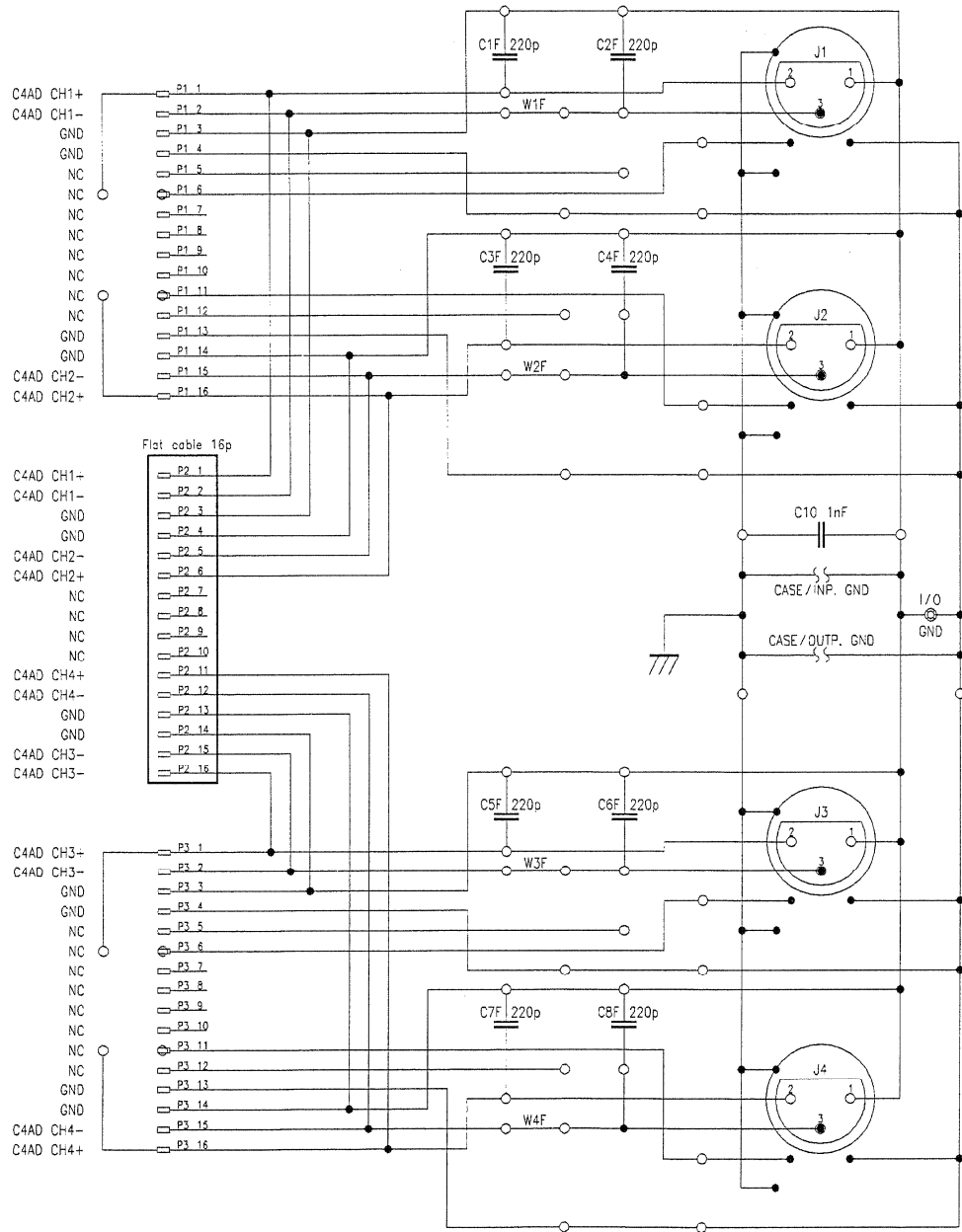
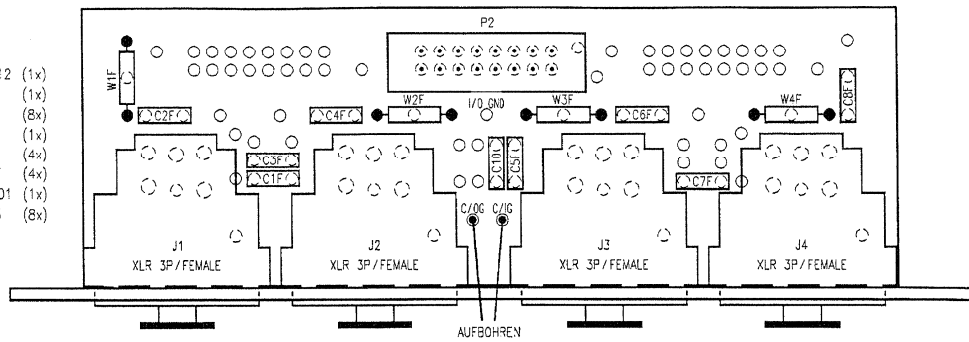


Änderung					③
					②
					①
Ausgabe	20.2.97	2	H		①
Datum	Gez.	Gepr.	Ges.	Index	

STUDER REGENSDORF ZÜRICH	Bezeichnung: D 15 M CONNECTION UNIT	Kopie für:
		Nummer: 1.940.626

XLR Connection Analog Input 1.940.627.81

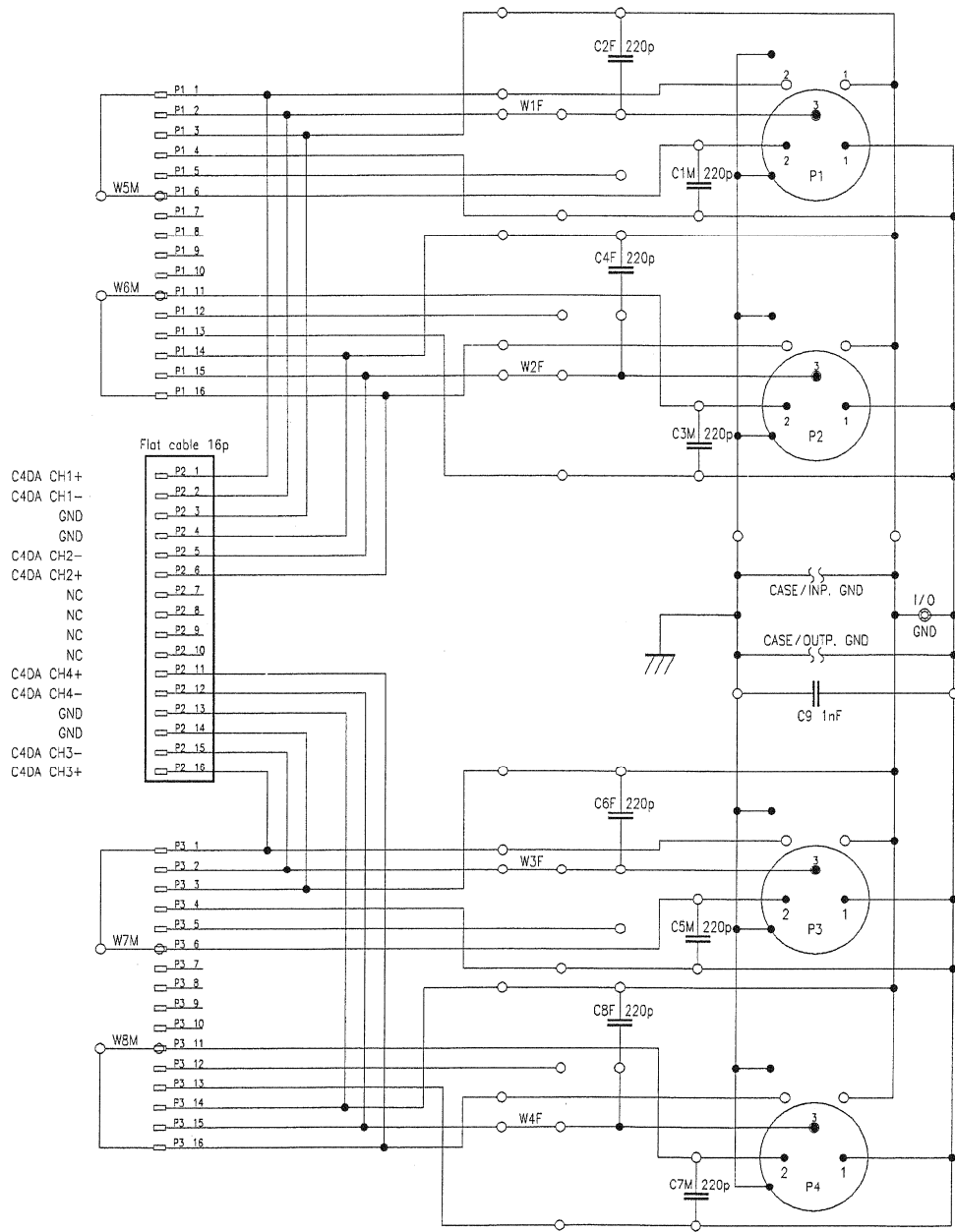
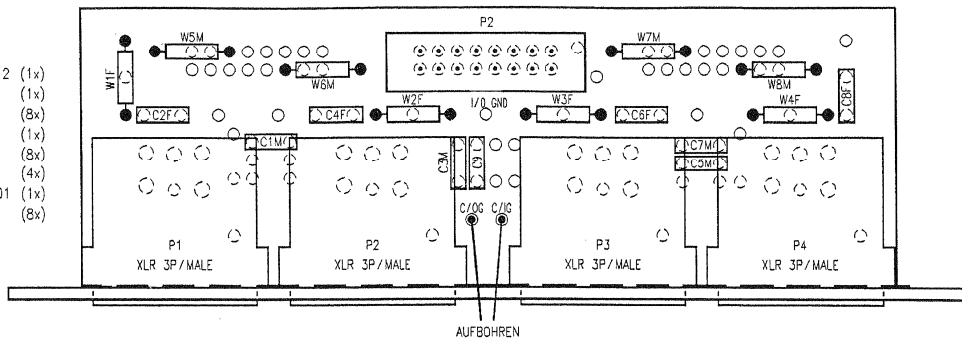
- PCB: 1.940.617.12 (1x)
- C 1nF: 59.32.1102 (1x)
- C 220pF: 59.32.1221 (8x)
- Px: 54.14.2002 (1x)
- Wxxx: 57.11.3000 (4x)
- XLR 3P/F: 54.21.2207 (4x)
- FRONT: 1.940.617.01 (1x)
- SCREWS: 20.24.7623 (8x)



05.01.98/RK			
SC1940627-81			PAGE 1 OF 1
 REGENSDORF SWITZERLAND	XLR CONNECTION ANALOG INPUT		1.940.627.81

XLR Connection Analog Output 1.940.628.81

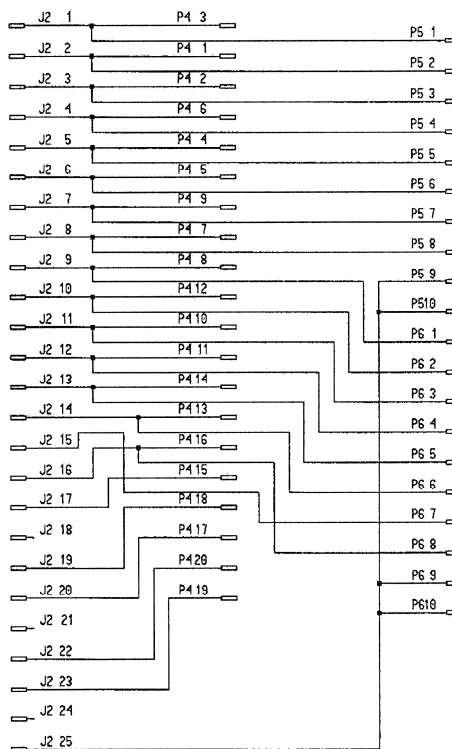
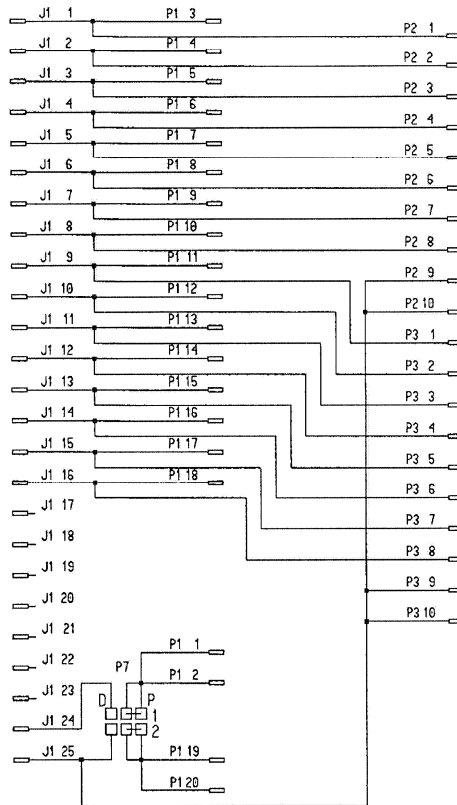
- PCB: 1.940.617.12 (1x)
- C 1nF: 59.32.1102 (1x)
- C 220pF: 59.32.1221 (8x)
- Px: 54.14.2002 (1x)
- Wxx: 57.11.3000 (8x)
- XLR 3P/M: 54.21.2202 (4x)
- FRONT 1.940.617.01 (1x)
- SCREWS: 20.24.7623 (8x)



- C4DA CH1+
- C4DA CH1-
- GND
- GND
- C4DA CH2-
- C4DA CH2+
- NC
- NC
- NC
- NC
- C4DA CH4+
- C4DA CH4-
- GND
- GND
- C4DA CH3-
- C4DA CH3+

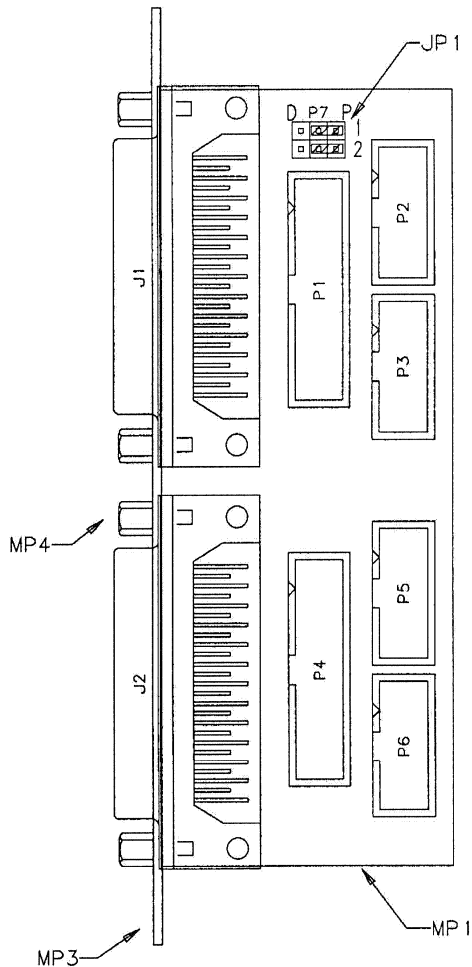
05.01.98 / BK			
SC1940628-81			PAGE 1 OF 1
STUDER REGENSDORF SWITZERLAND	XLR CONNECTION ANALOG OUTPUT		1.940.628.81

Connection Unit Control Port 1.940.630.81 (0)



11.03.1999	ML					
DS-D Rack						PAGE 1 OF 1
STUDER		Control Connection			1.940.630.00	

Connection Unit Control Port 1.940.630.81 (0)



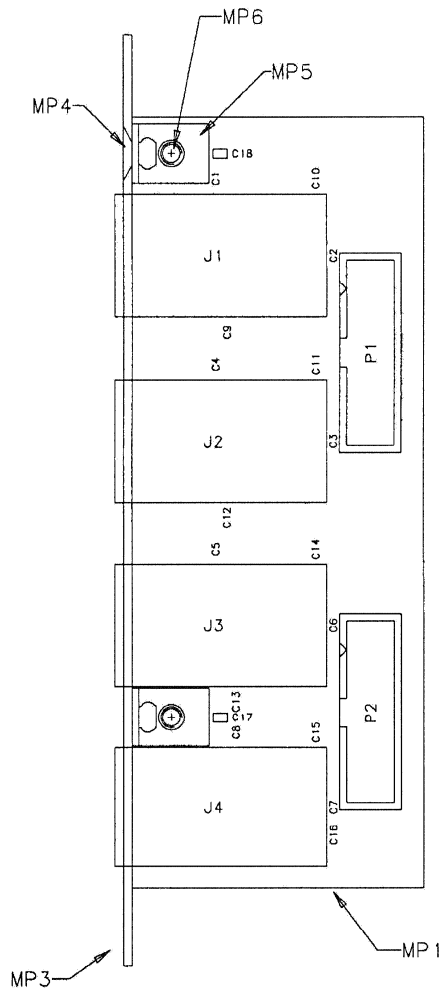
Accompanying documents: Zugehoerige Unterlagen: PL	General tolerance: Freimasstoleranz:	Scale: Masstab:	Edition Ausgabe	26.04.1999	PZ	<i>M</i>	<i>R</i>	⓪
			Date Datum	Visa Gez.	Checked Gepr.	Seen Ges.	Index	
Substitute for: Ersatz fuer:	Replaced by: Ersetzt durch:	Copy to: Kopie fuer:						
STUDER REGENSDORF	Control Connection		Number: Nummer:	1.940.630.81				

Connection Unit Control Port 1.940.630.81 (0)

Idx. Pos.	Part No.	Qty.	Type/Val.	Description	Idx. Pos.	Part No.	Qty.	Type/Val.	Description
0	J 1	54.13.0073	25p	D-Sub, PCB, Winkel					
0	J 2	54.13.0073	25p	D-Sub, PCB, Winkel					
0	JP 1	54.01.0021	2 pcs	Jumper					0.63*0.63mm, Au
0	MP 1	1.940.630.12	1 pce						Control Connection PCB
0	MP 2	1.940.630.10	1 pce						NR. Etiketle 5 x 20
0	MP 3	1.940.619.02	1 pce						Rückwand D25+D25
0	MP 4	54.13.0081	4 pcs	4.85mm					Bolzen UNC 4-40
0	MP 5	24.16.1030	4 pcs	3.2/5.5					Rippenscheibe
0	P 1	54.14.2008		20p					1/20" Au, gerade, ohne Verrieg
0	P 2	54.14.2001		10p					1/20" Au, gerade, ohne Verrieg
0	P 3	54.14.2001		10p					1/20" Au, gerade, ohne Verrieg
0	P 4	54.14.2008		20p					1/20" Au, gerade, ohne Verrieg
0	P 5	54.14.2001		10p					1/20" Au, gerade, ohne Verrieg
0	P 6	54.14.2001		10p					1/20" Au, gerade, ohne Verrieg
0	P 7	54.11.0136		2*3p					Pin 0.63*0.63, RM2.54

End of List

Connection Unit Bantam Jack (f. Analog Inserts) 1.940.631.00 (0)



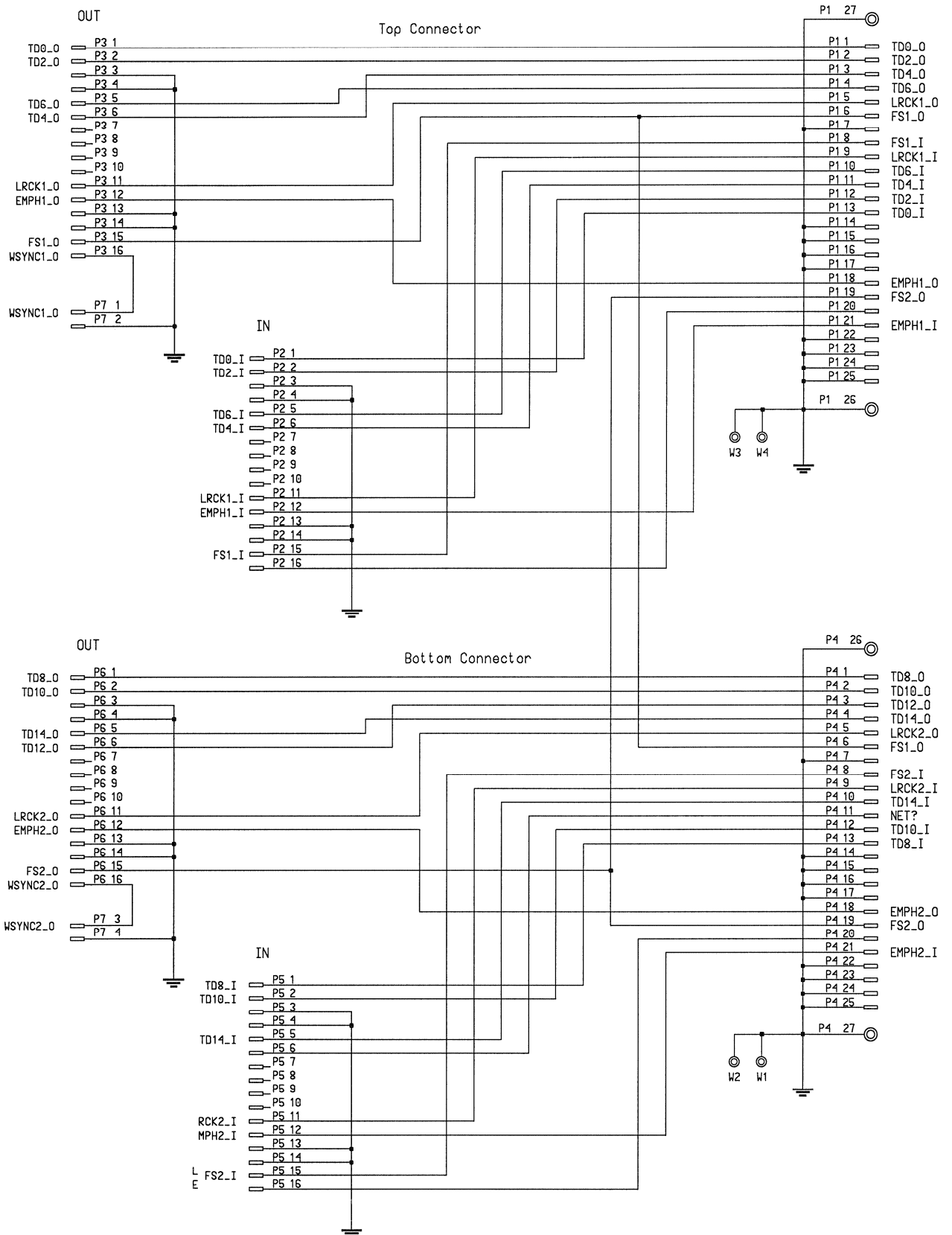
Accompanying documents: Zugehoerige Unterlagen: PL	General tolerance: Freimasstoleranz:	Scale: Massstab:	Edition Ausgabe	07.12.1998	AF	<i>la</i>	①
Substitute for: Ersatz fuer:	Replaced by: Ersetzt durch:	Copy to: Kopie fuer:	Date Datum	Visa Gez.	Checked Gepr.	Seen Ges.	Index
STUDER REGENSDORF	Description: Benennung: Connection Board Insert		Number: Nummer:	1.940.631.00			

Connection Unit Bantam Jack (Analog Ins.) 1.940.631.00 (0) Page: 1 of 1

Idx. Pos.	Part No.	Qty.	Type/Val.	Description	Idx. Pos.	Part No.	Qty.	Type/Val.	Description
0	C 1		59.60.2257	220p					CER 50V, 5%, COG, 0603
0	C 2		59.60.2257	220p					CER 50V, 5%, COG, 0603
0	C 3		59.60.2257	220p					CER 50V, 5%, COG, 0603
0	C 4		59.60.2257	220p					CER 50V, 5%, COG, 0603
0	C 5		59.60.2257	220p					CER 50V, 5%, COG, 0603
0	C 6		59.60.2257	220p					CER 50V, 5%, COG, 0603
0	C 7		59.60.2257	220p					CER 50V, 5%, COG, 0603
0	C 8		59.60.2257	220p					CER 50V, 5%, COG, 0603
0	C 9		59.60.2249	100p					CER 50V, 5%, COG, 0603
0	C 10		59.60.2249	100p					CER 50V, 5%, COG, 0603
0	C 11		59.60.2249	100p					CER 50V, 5%, COG, 0603
0	C 12		59.60.2249	100p					CER 50V, 5%, COG, 0603
0	C 13		59.60.2249	100p					CER 50V, 5%, COG, 0603
0	C 14		59.60.2249	100p					CER 50V, 5%, COG, 0603
0	C 15		59.60.2249	100p					CER 50V, 5%, COG, 0603
0	C 16		59.60.2249	100p					CER 50V, 5%, COG, 0603
0	C 17		59.60.3337	100n					CER 50V, 10%, X7R, 0805
0	C 18		59.60.3337	100n					CER 50V, 10%, X7R, 0805
0	J 1		54.24.0211	2*3p					Bantam-Buchse, 4.4mm
0	J 2		54.24.0211	2*3p					Bantam-Buchse, 4.4mm
0	J 3		54.24.0211	2*3p					Bantam-Buchse, 4.4mm
0	J 4		54.24.0211	2*3p					Bantam-Buchse, 4.4mm
0	MP 1	1.940.631.11	1 pce						CONNECTION INSERT PCB
0	MP 2	1.940.631.10	1 pce						Nr. Etikette 5 x 20
0	MP 3	1.940.631.01	1 pce						RÜCKWAND
0	MP 4	28.31.0110	2 pcs						SENKKOPFNIETE D 3.2 * 4.3
0	MP 5	35.99.0104	2 pcs						MONTAGEWINKEL
0	MP 6	21.53.9354	2 pcs	M3*6					Z-Schraube Inbus-Ripp Zn gb ch
0	P 1	54.14.2002		16p					1/20" Au, gerade, ohne Verrieg
0	P 2	54.14.2002		16p					1/20" Au, gerade, ohne Verrieg

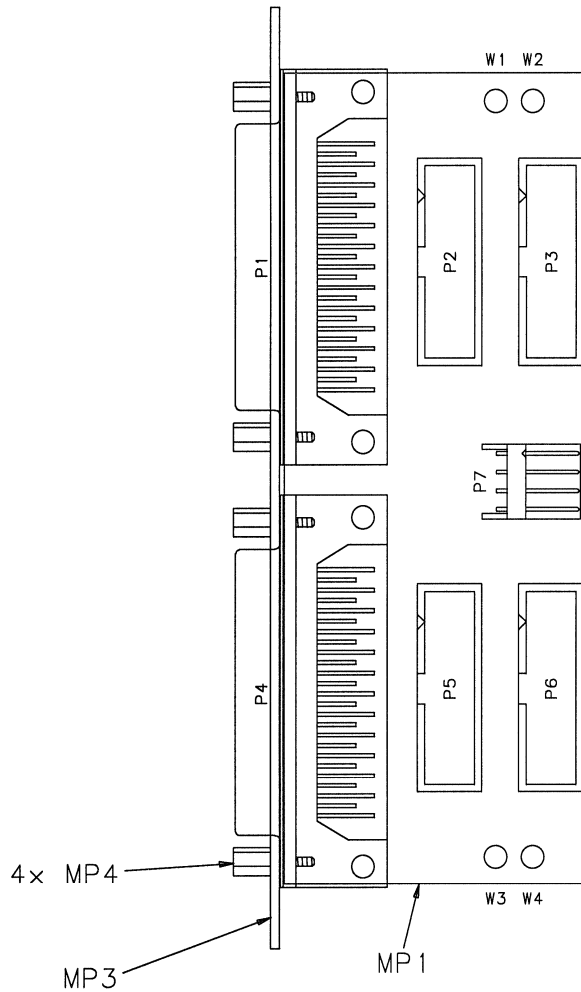
End of List

Connection Unit 4 × D25m (Dual TDIF I/O) 1.940.632.00 (0)



Erstellt	03.01.2001	ZT					
D19M						PAGE 1 OF 1	
STUDER			CONNECTION-TDIF IN/OUT			1.940.632.00	

Connection Unit 4 × D25m (Dual TDIF I/O) 1.940.632.00 (0)



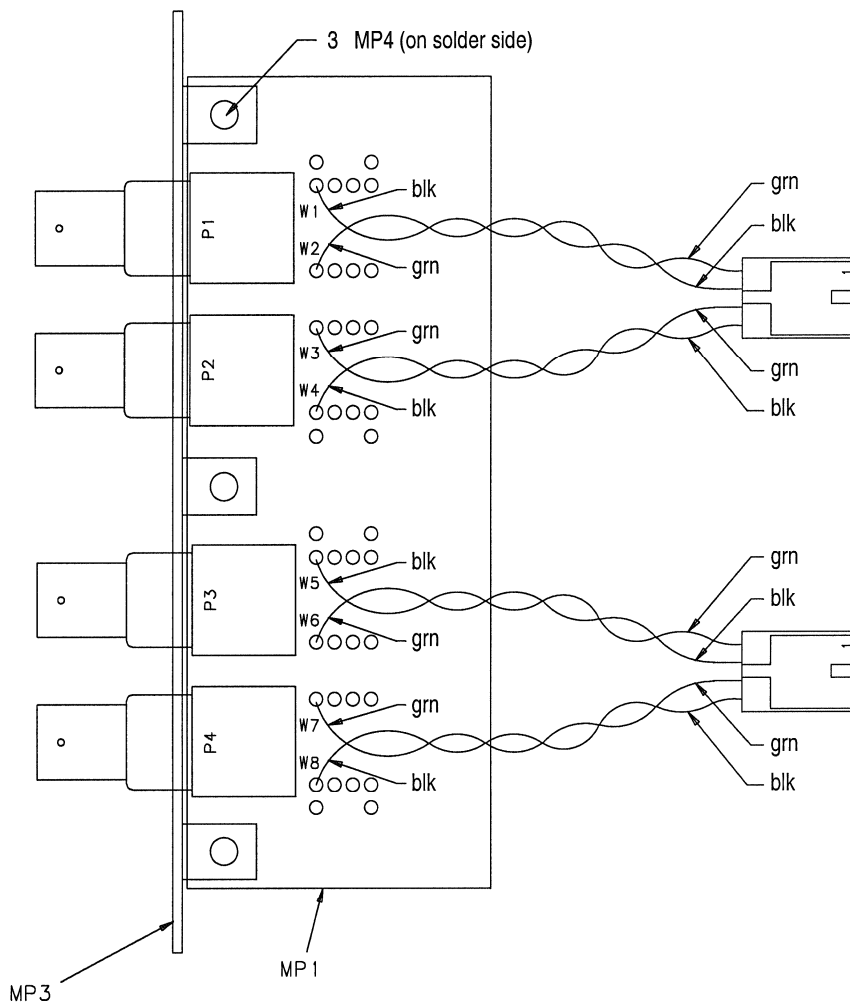
Accompanying documents: Zugehörige Unterlagen: PL	General tolerance: Freimasstoleranz:	Scale: Massstab:	Edition Ausgabe Date Datum	03.01.2001	ZT	ML	RL	⊙
Substitute for: Ersatz fuer:			Page: Seite:	1 / 1				
STUDER REGENSDORF	Description: Benennung:	CONNECTION-TDIF IN/OUT			Number: Nummer:	1.940.632.00		

Connection Unit 4 × D25m (Dual TDIF I/O) 1.940.632.00 (0)

Idx. Pos.	Part No.	Qty.	Type/Val.	Description	Idx. Pos.	Part No.	Qty.	Type/Val.	Description
0	MP 1	1.940.632.11	1 pce	CONNECTION TDIF IN/OUT PCB					
0	MP 2	1.940.632.04	1 pce	Nr.-Etikette 5 * 20					
0	MP 3	1.940.619.02	1 pce	Rückwand D25+D25					
0	MP 4	54.13.0081	4 pcs	4.85mm Bolzen UNC 4-40					
0	P 1	54.13.0073	1 pce	25p D-Sub, PCB, Winkel					
0	P 2	54.14.2002	1 pce	16p 1/20" Au, gerade, ohne Verrieg					
0	P 3	54.14.2002	1 pce	16p 1/20" Au, gerade, ohne Verrieg					
0	P 4	54.13.0073	1 pce	25p D-Sub, PCB, Winkel					
0	P 5	54.14.2002	1 pce	16p 1/20" Au, gerade, ohne Verrieg					
0	P 6	54.14.2002	1 pce	16p 1/20" Au, gerade, ohne Verrieg					
0	P 7	54.12.0724	1 pce	4p Stecker winkel PCB					

End of List

Connection Unit 4 × BNC (WCLK Out) 1.940.633.00 (0)



Accompanying documents: Zugehörige Unterlagen: PL, LL		General tolerance: Freimasstoleranz:		Scale: Massstab:		Edition Ausgabe	03.01.2001	ZT	ML	RL	⓪	
Substitute for: Ersatz fuer:						Date Datum		Visa Gez.	Checked Gepr.	Seen Ges.	Index	
						Page: Seite:	1 / 1					
STUDER REGENSDORF		Description: Benennung:		CONNECTION-WCLK OUT				Number: Nummer:		1.940.633.00		

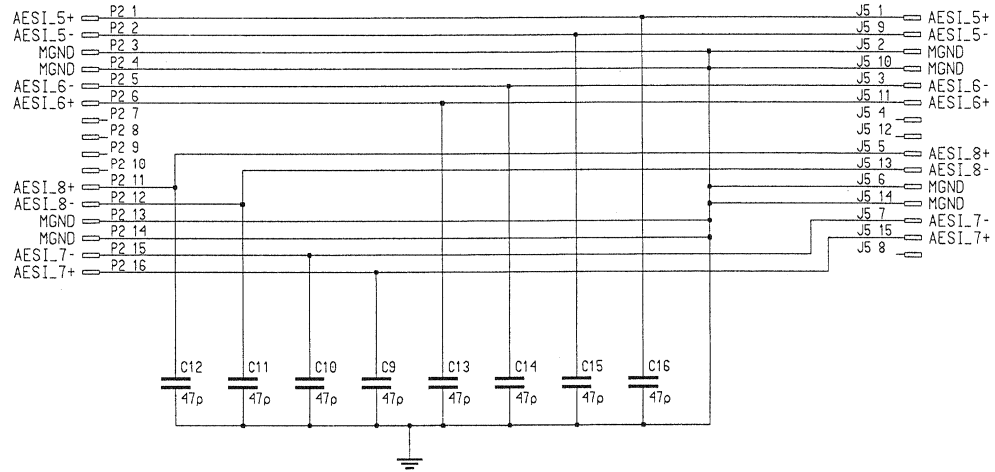
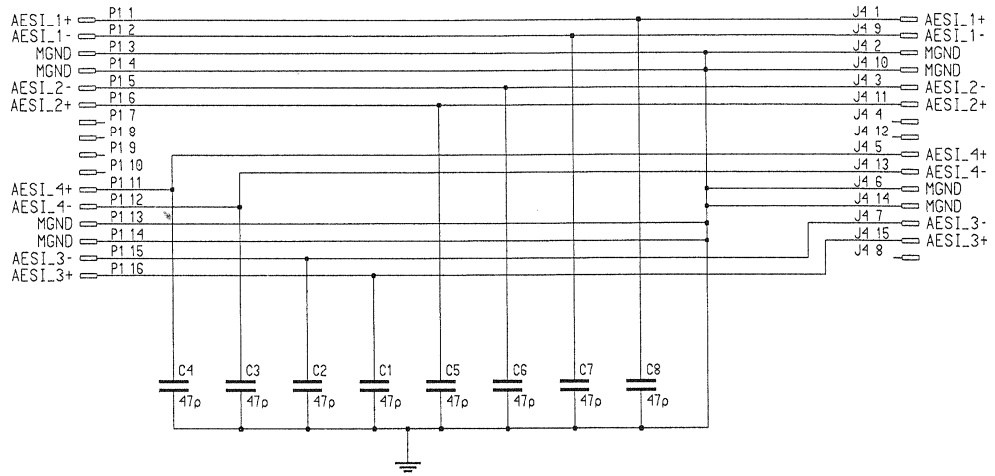
Connection Unit 4 × BNC (WCLK Out) 1.940.633.00 (0)

Idx. Pos.	Part No.	Qty.	Type/Val.	Description
0 LL 1	1.940.633.93	1 pce		LL CONNECTION WCLK OUT
0 MP 1	1.940.612.11	1 pce		BNC Output Unit PCB
0 MP 2	1.940.633.04	1 pce		Nr.-Etikette 5 * 20
0 MP 3	1.940.611.01	1 pce		Rückwand BNC
0 MP 4	28.31.0005	3 pcs		BLINDNIETE, D 3.2* 6.1
0 P 1	54.21.2031	1 pce	BNC	J 1 POL PRINT/WINKEL BNC
0 P 2	54.21.2031	1 pce	BNC	J 1 POL PRINT/WINKEL BNC
0 P 3	54.21.2031	1 pce	BNC	J 1 POL PRINT/WINKEL BNC
0 P 4	54.21.2031	1 pce	BNC	J 1 POL PRINT/WINKEL BNC

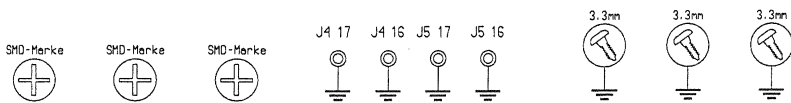
Idx. Pos.	Part No.	Qty.	Type/Val.	Description
0 LL 1	1.940.633.93	1 pce		LL CONNECTION WCLK OUT
0 MP 1	1.940.612.11	1 pce		BNC Output Unit PCB
0 MP 2	1.940.633.04	1 pce		Nr.-Etikette 5 * 20
0 MP 3	1.940.611.01	1 pce		Rückwand BNC
0 MP 4	28.31.0005	3 pcs		BLINDNIETE, D 3.2* 6.1
0 P 1	54.21.2031	1 pce	BNC	J 1 POL PRINT/WINKEL BNC
0 P 2	54.21.2031	1 pce	BNC	J 1 POL PRINT/WINKEL BNC
0 P 3	54.21.2031	1 pce	BNC	J 1 POL PRINT/WINKEL BNC
0 P 4	54.21.2031	1 pce	BNC	J 1 POL PRINT/WINKEL BNC

End of List

Connection Board 2xD-15F 8x AESI-Card 1.940.635.00

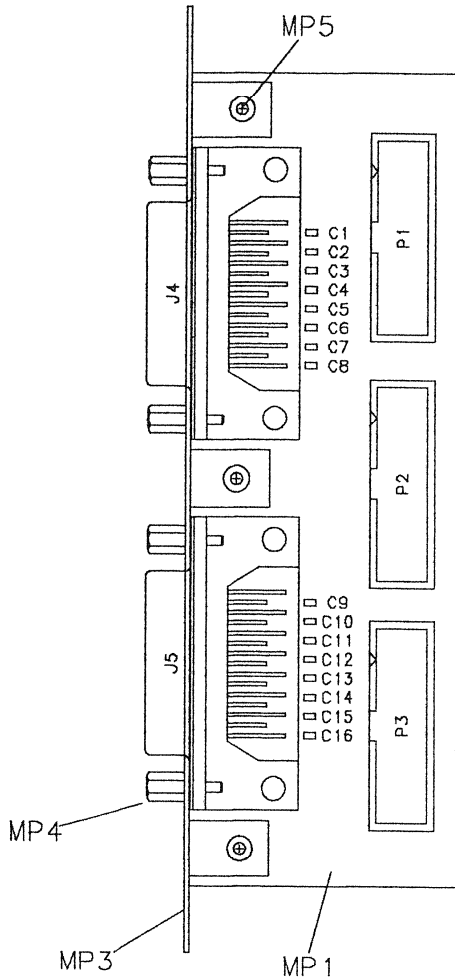


- P3 1
- P3 2
- P3 3
- P3 4
- P3 5
- P3 6
- P3 7
- P3 8
- P3 9
- P3 10
- P3 11
- P3 12
- P3 13
- P3 14
- P3 15
- P3 16



0	18.11.97	JM	○	○	○	○
D950						PAGE 1 OF 1
STUDER				CONNECTION BOARD 2X D-15F 8X AESI-CARD		SC 1.940.635.00

Connection Board 2xD-15F 8x AESI-Card I.940.635.00



Idx.	Pos.	Part No.	Qty.	Type/Val.	Description
0	C 1	59.60.2241		47p	CER 50V, 5%, COG, 0603
0	C 2	59.60.2241		47p	CER 50V, 5%, COG, 0603
0	C 3	59.60.2241		47p	CER 50V, 5%, COG, 0603
0	C 4	59.60.2241		47p	CER 50V, 5%, COG, 0603
0	C 5	59.60.2241		47p	CER 50V, 5%, COG, 0603
0	C 6	59.60.2241		47p	CER 50V, 5%, COG, 0603
0	C 7	59.60.2241		47p	CER 50V, 5%, COG, 0603
0	C 8	59.60.2241		47p	CER 50V, 5%, COG, 0603
0	C 9	59.60.2241		47p	CER 50V, 5%, COG, 0603
0	C 10	59.60.2241		47p	CER 50V, 5%, COG, 0603
0	C 11	59.60.2241		47p	CER 50V, 5%, COG, 0603
0	C 12	59.60.2241		47p	CER 50V, 5%, COG, 0603
0	C 13	59.60.2241		47p	CER 50V, 5%, COG, 0603
0	C 14	59.60.2241		47p	CER 50V, 5%, COG, 0603
0	C 15	59.60.2241		47p	CER 50V, 5%, COG, 0603
0	C 16	59.60.2241		47p	CER 50V, 5%, COG, 0603
0	J 4	54.13.0072		15p	D-Sub, PCB, Winkel
0	J 5	54.13.0072		15p	D-Sub, PCB, Winkel
0	MP 1	1.940.635.11	1 pce		Connection 2xD-15F 8xAESI PCB
0	MP 2	1.940.635.04	1 pce		Nr.-Etikette 5 * 20
0	MP 3	1.940.615.01	1 pce		Rückwand D15+D15
0	MP 4	54.13.0081	4 pcs	4.85mm	Bolzen UNC 4-40
0	MP 5	28.31.0005	3 pcs		BLINDNIETE, D 3.2* 6.1
0	P 1	54.14.2002		16p	1/20" Au, gerade, ohne Verrieg
0	P 2	54.14.2002		16p	1/20" Au, gerade, ohne Verrieg
0	P 3			16p	1/20" Au, gerade, ohne Verrieg

— End of List —

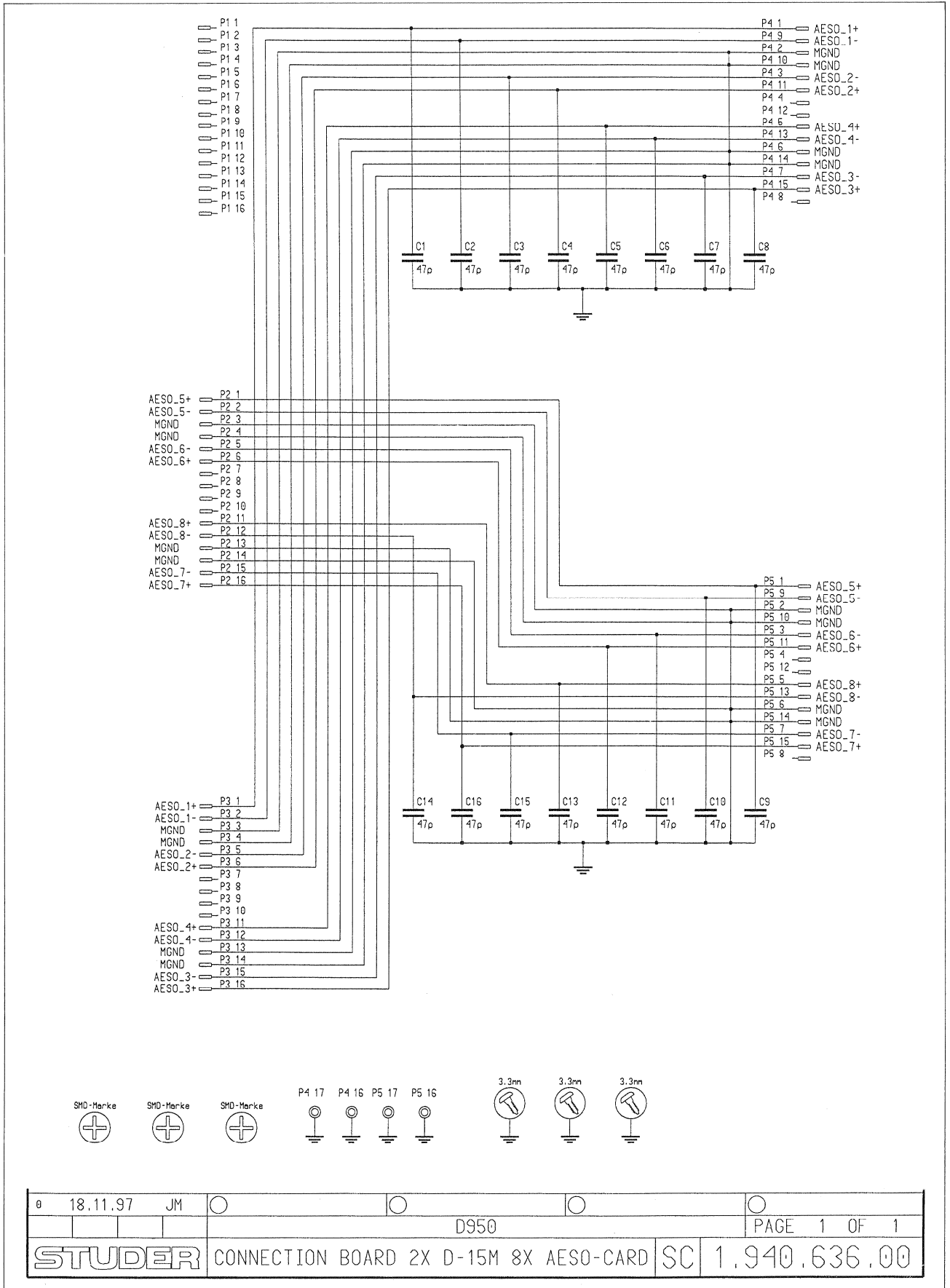
Comments

Max. 1st Edition					③
Max. 2nd Edition					②
Max. 3rd Edition					①
Edition	18. 11. 97	AF			①
Date					
Gez.					
Seit					
Index					

STUDER REGENSDORF	Description: Bezeichnung:	CONNECTION BOARD 2X D-15F 8X AESI-CARD	Number: Number:	1.940.635.00
-----------------------------	------------------------------	--	--------------------	--------------

Copy to:
Kopie fuer: *

Connection Board 2xD-15M 8x AESO-Card 1.940.636.00



0	18.11.97	JM	○	○	○	○
D950						PAGE 1 OF 1
STUDER			CONNECTION BOARD 2X D-15M 8X AESO-CARD			SC 1.940.636.00

Connection Board 2xD-15M 8x AESO-Card I.940.636.00

Idx.	Pos.	Part No.	Qty.	Type/Val.	Description
0	C 1	59.60.2241		47p	CER 50V, 5%, COG, 0603
0	C 2	59.60.2241		47p	CER 50V, 5%, COG, 0603
0	C 3	59.60.2241		47p	CER 50V, 5%, COG, 0603
0	C 4	59.60.2241		47p	CER 50V, 5%, COG, 0603
0	C 5	59.60.2241		47p	CER 50V, 5%, COG, 0603
0	C 6	59.60.2241		47p	CER 50V, 5%, COG, 0603
0	C 7	59.60.2241		47p	CER 50V, 5%, COG, 0603
0	C 8	59.60.2241		47p	CER 50V, 5%, COG, 0603
0	C 9	59.60.2241		47p	CER 50V, 5%, COG, 0603
0	C 10	59.60.2241		47p	CER 50V, 5%, COG, 0603
0	C 11	59.60.2241		47p	CER 50V, 5%, COG, 0603
0	C 12	59.60.2241		47p	CER 50V, 5%, COG, 0603
0	C 13	59.60.2241		47p	CER 50V, 5%, COG, 0603
0	C 14	59.60.2241		47p	CER 50V, 5%, COG, 0603
0	C 15	59.60.2241		47p	CER 50V, 5%, COG, 0603
0	C 16	59.60.2241		47p	CER 50V, 5%, COG, 0603
0	MP 1	1.940.636.11	1 pce		Connection 2xD-15M 8xAESO PCB
0	MP 2	1.940.636.04	1 pce		Nr.-Etikette 5 * 20
0	MP 3	1.940.615.01	1 pce		Rückwand D15+D15
0	MP 4	54.13.0081	4 pcs	4.85mm	Bolzen UNC 4-40
0	MP 5	28.31.0005	3 pcs		BLINDNIETE, D 3.2* 6.1
0	P 1	not used		16p	1/20" Au, gerade, ohne Verrieg
0	P 2	54.14.2002		16p	1/20" Au, gerade, ohne Verrieg
0	P 3	54.14.2002		16p	1/20" Au, gerade, ohne Verrieg
0	P 4	54.13.0077		15p	D-Sub, PCB, Winkel
0	P 5	54.13.0077		15p	D-Sub, PCB, Winkel

End of List

Comments

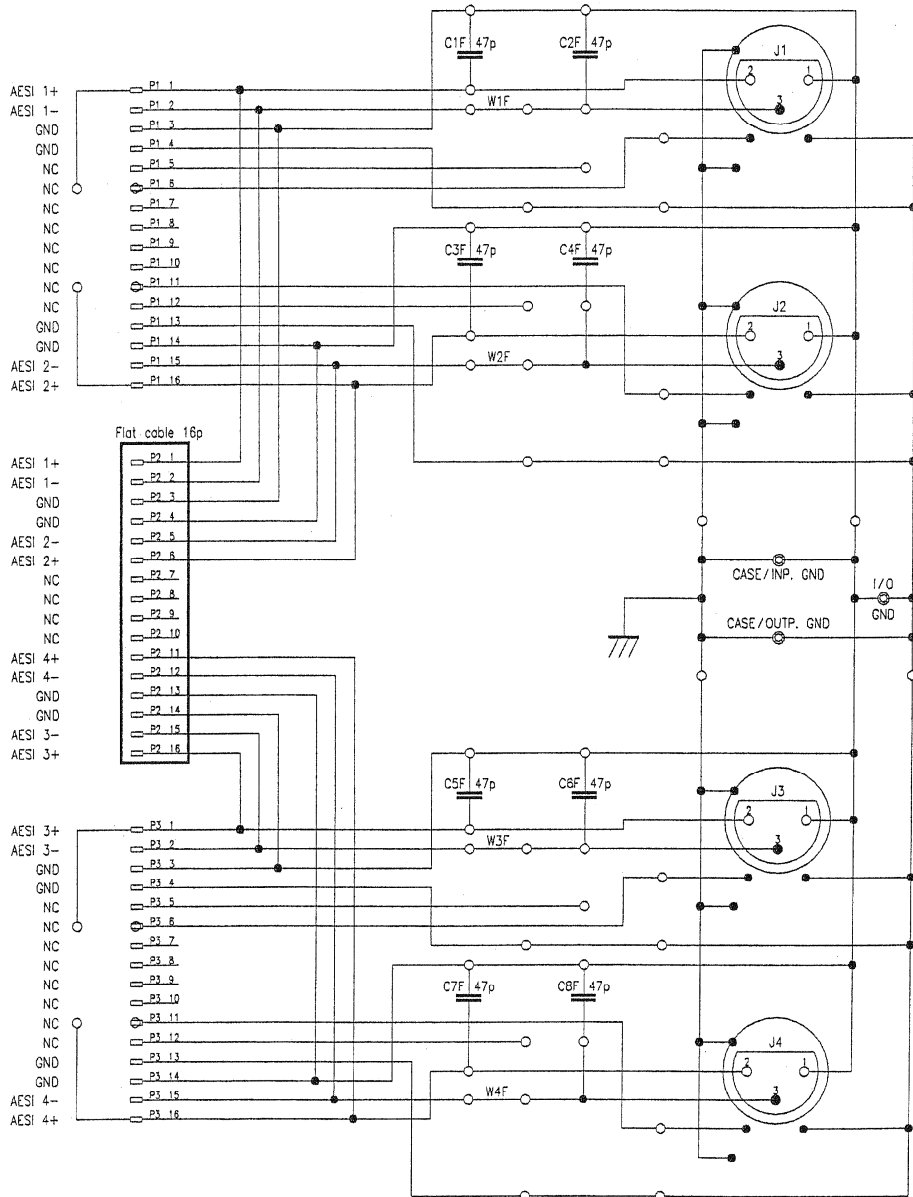
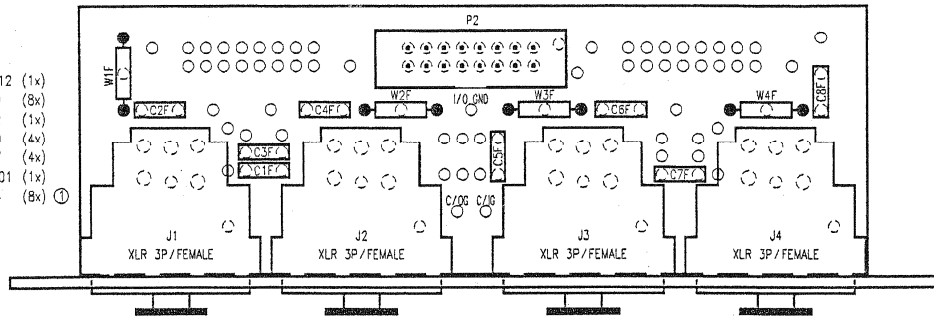
Modifikation					3
Anforderung					2
					1
Edi-tion	18.11.97	AF			0
Angabe					
Date					
Datum					
Visa					
Gez.					
Stadel					
Bspr.					
Seen					
Gez.					
Index					

Copy to:	
Kopie fuer:	

STUDER	REGENSDORF
Description:	CONNECTION BOARD 2X D-15M 8X AESO-CARD
Bezeichnung:	
Number:	1.940.636.00
Number:	

XLR Connection 4x AES/EBU Input 1.940.637.81

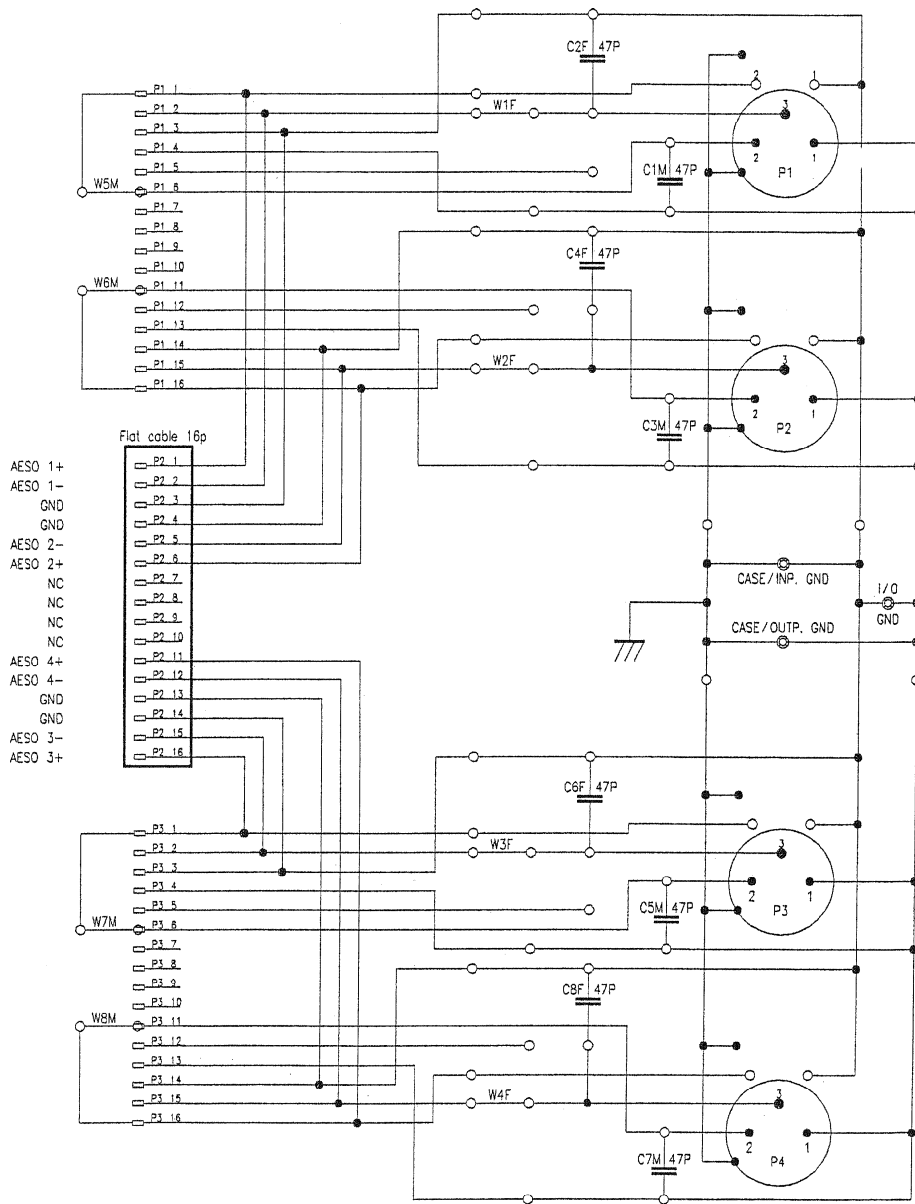
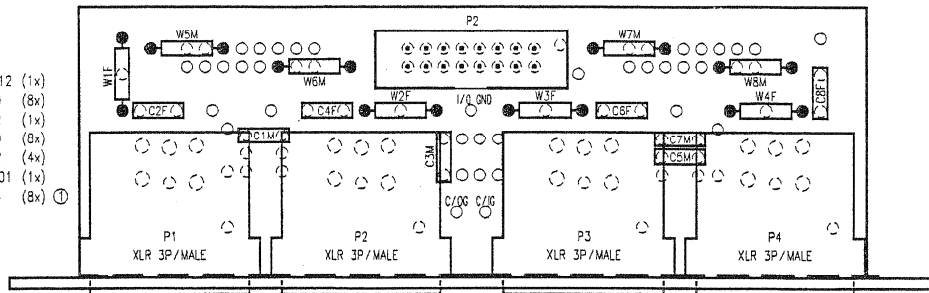
- PCB: 1.940.617.12 (1x)
- C 47pF: 59.34.2470 (8x)
- Px: 54.14.2002 (1x)
- Wxx: 57.11.3000 (4x)
- XLR 3P/F: 54.21.2207 (4x)
- FRONT: 1.940.617.01 (1x)
- SCREWS: 20.24.8754 (8x)



① 06.01.98/BK	① 03.02.99/BK	○	○	○
SC1940637-81			PAGE 1 OF 1	
STUDER REGENSDORF SWITZERLAND		XLR CONNECTION 4x AES/EBU INPUT		1.940.637.81

XLR Connection 4x AES/EBU Output 1.940.638.81

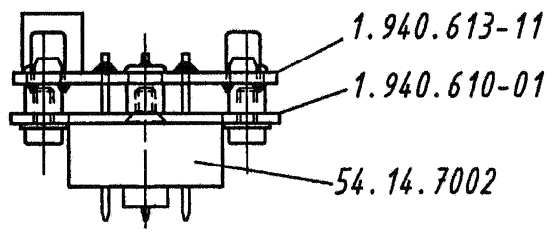
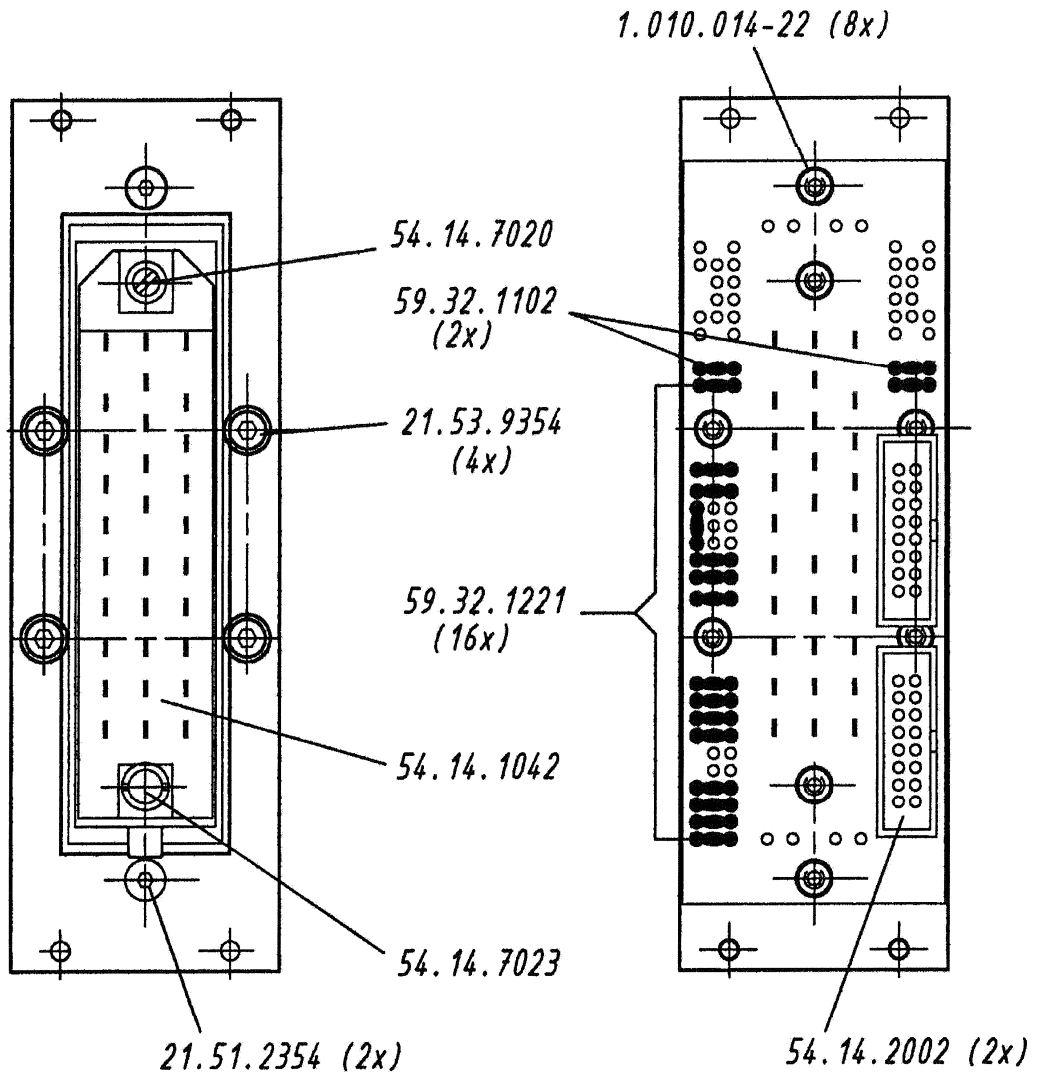
- PCB: 1.940.617.12 (1x)
- C 47pF: 59.34.2470 (8x)
- Px: 54.14.2002 (1x)
- Wxx: 57.11.3000 (8x)
- XLR 3P/M: 54.21.2202 (4x)
- FRONT: 1.940.617.01 (1x)
- SCREWS: 20.24.8754 (8x) ①



- AES0 1+
- AES0 1-
- GND
- AES0 2-
- AES0 2+
- NC
- NC
- NC
- NC
- AES0 4+
- AES0 4-
- GND
- AES0 3-
- AES0 3+

① 06.01.98/BK	① 03.02.99/BK		
SC1940638-81			PAGE 1 OF 1
 REGENSDORF SWITZERLAND	XLR CONNECTION 4x AES/EBU OUTPUT		1.940.638.81

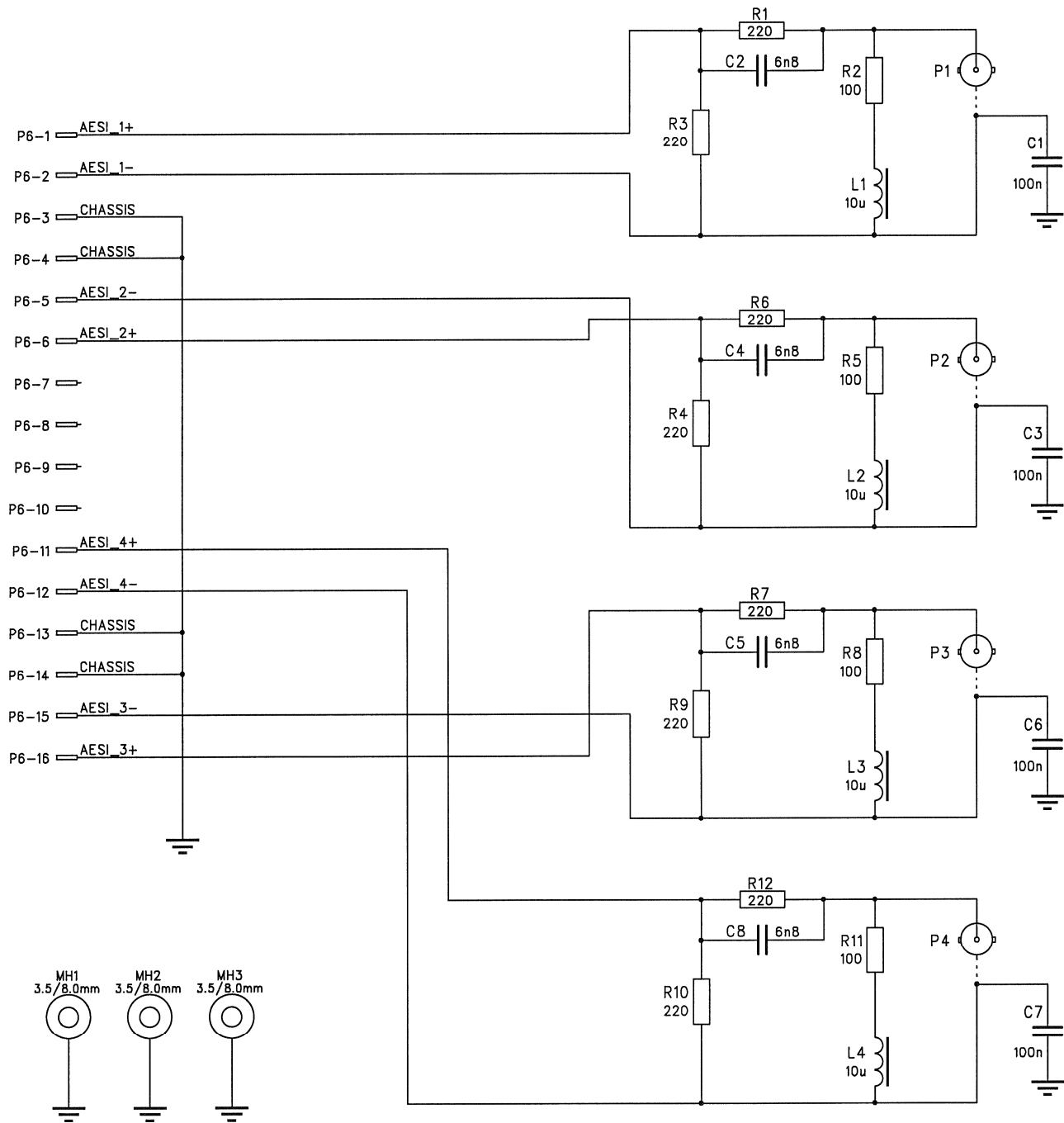
Connection Unit S30f/Gold Cont. (Analog Out) 1.940.640.00 (0)



Also contained:	
21.53.0279	4x
24.16.1025	4x
54.14.1052	1x
54.14.7012	1x
54.14.7020	1x
54.14.7023	1x
54.14.5021	4x
64.03.0214	1m

Accompanying documents: Zugehörige Unterlagen:		General tolerance: Freimasstoleranz:	Scale: Maßstab:	Edition Ausgabe	24.7.98	Ro	RO	HM	⓪
Substitute for: Ersatz für:		Replaced by: Ersetzt durch:	Copy to: Kopie für:	Date Datum	Visa Gez.	Checked Gepr.	Seen Ges.	Index	
STUDER REGENSDORF	Description: Benennung:	S30M Connection Unit 8TE Gold			Number: Nummer:	1.940.640-00			

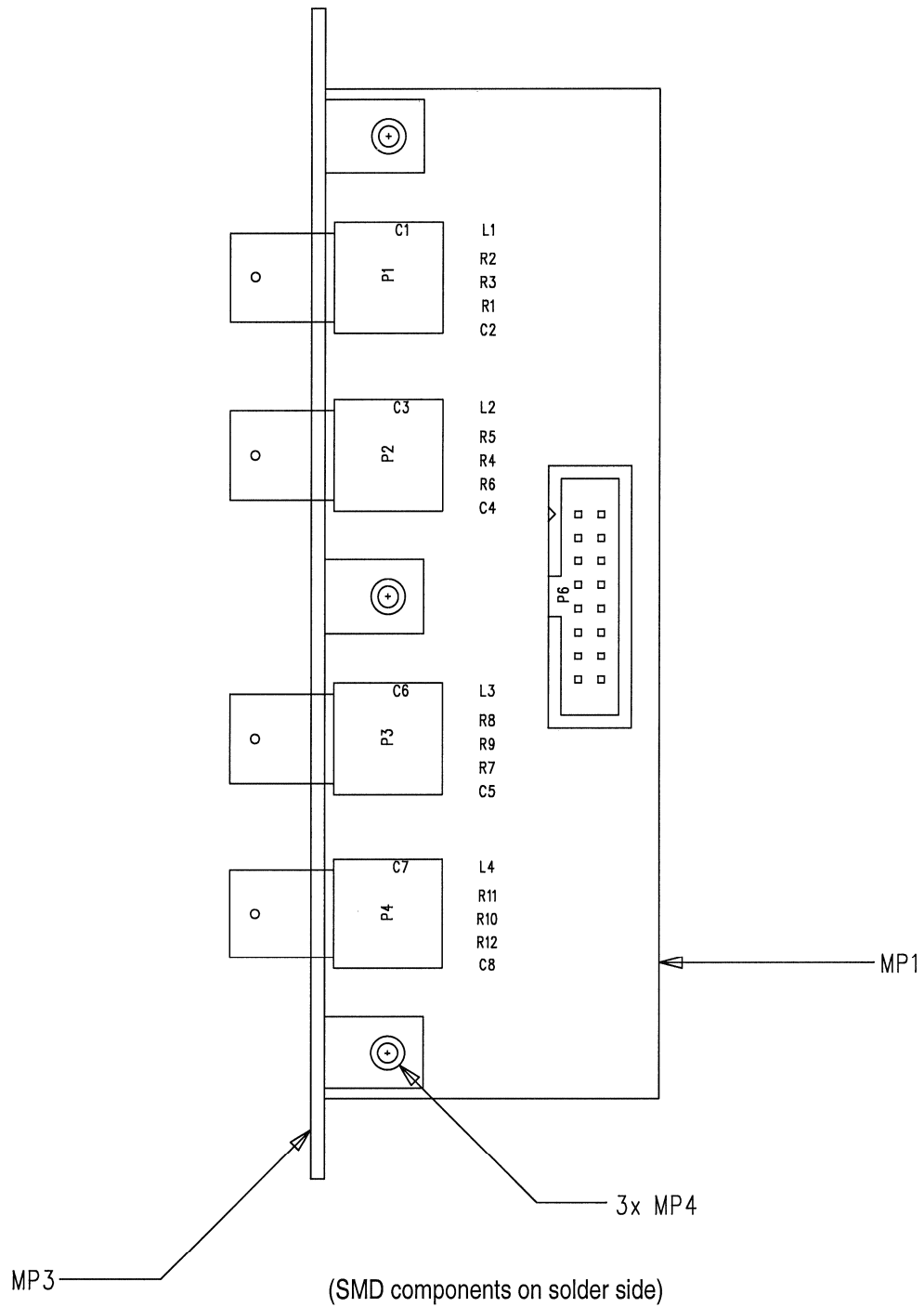
Connection Unit 4 × BNC (AES/EBU In) 1.940.641.00 (0)



17.10.2001		ZT	
Date:	Via:	Checked:	Seen:
Datum:	Gez.:	Gepr.:	Gez.:
Index:	0	Page:	1 / 1
Index:		Seite:	
Number:	1.940.641.00		
Number:			

STUDER Description: CONNECTION BNC AESI FOR CORE

Connection Unit 4 × BNC (AES/EBU In) 1.940.641.00 (0)



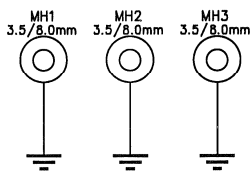
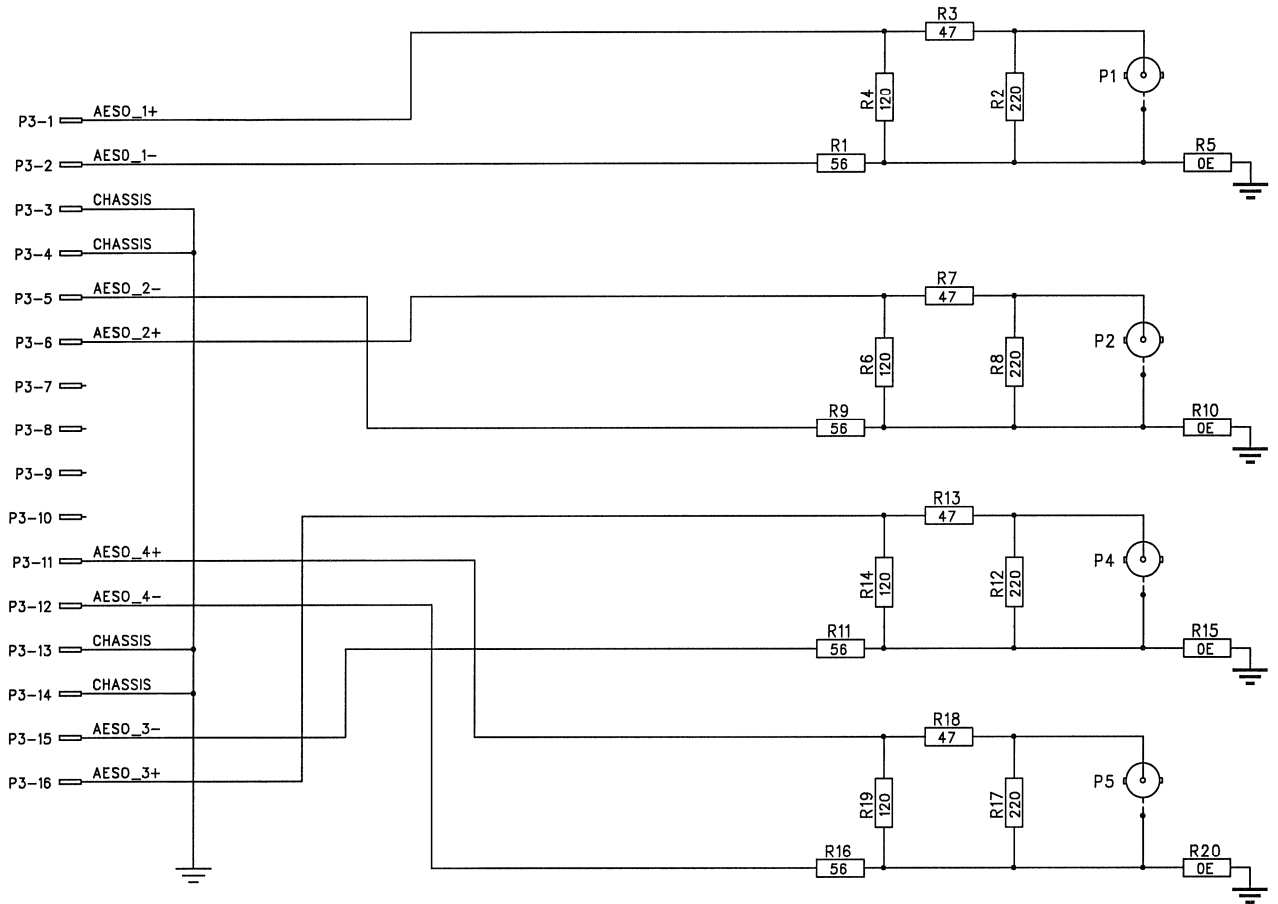
Accompanying documents: Zugehörige Unterlagen:		PL	General tolerance: Freimess toleranz:		.	Scale: Massstab:		17.10.2001 Date: Datum:	ZT Via: Gez.:	ML Checked: Gepr.:	HW Seen: Ges.:	
STUDER		CONNECTION BNC AESI FOR CORE				Index: Index:		0	Page: Seite:			1 / 1
Description: Bezeichnung:						Number: Nummer:		1.940.641.00				

Connection Unit 4 × BNC (AES/EBU In) 1.940.641.00 (0)

Idx. Pos.	Part No.	Qty.	Type/Val.	Description	Idx. Pos.	Part No.	Qty.	Type/Val.	Description
0	C 1	59.60.3337	1 pce	100n	CER 50V, 10%, X7R, 0805				
0	C 2	59.60.3323	1 pce	6n8	CER 50V, 10%, X7R, 0805				
0	C 3	59.60.3337	1 pce	100n	CER 50V, 10%, X7R, 0805				
0	C 4	59.60.3323	1 pce	6n8	CER 50V, 10%, X7R, 0805				
0	C 5	59.60.3323	1 pce	6n8	CER 50V, 10%, X7R, 0805				
0	C 6	59.60.3337	1 pce	100n	CER 50V, 10%, X7R, 0805				
0	C 7	59.60.3337	1 pce	100n	CER 50V, 10%, X7R, 0805				
0	C 8	59.60.3323	1 pce	6n8	CER 50V, 10%, X7R, 0805				
0	L 1	62.60.0113	1 pce	10uH	SMD 10% 1210				
0	L 2	62.60.0113	1 pce	10uH	SMD 10% 1210				
0	L 3	62.60.0113	1 pce	10uH	SMD 10% 1210				
0	L 4	62.60.0113	1 pce	10uH	SMD 10% 1210				
0	MP 1	1.940.641.11	1 pce		CONNECTION BNC AESI PCB				
0	MP 2	1.940.641.10	1 pce		NR.-ETIKETTE 5 * 20				
0	MP 3	1.940.611.01	1 pce		Rückwand BNC				
0	MP 4	28.31.0005	3 pcs		BLINDNIETE, D 3.2* 6.1				
0	P 1	54.21.2031	1 pce	BNC	J 1 POL PRINT/WINKEL BNC				
0	P 2	54.21.2031	1 pce	BNC	J 1 POL PRINT/WINKEL BNC				
0	P 3	54.21.2031	1 pce	BNC	J 1 POL PRINT/WINKEL BNC				
0	P 4	54.21.2031	1 pce	BNC	J 1 POL PRINT/WINKEL BNC				
0	P 6	54.14.2002	1 pce	16p	1/20" Au, gerade, ohne Verrieg				
0	R 1	57.60.1221	1 pce	220R	MF, 1%, 0204, E24				
0	R 2	57.60.1101	1 pce	100R	MF, 1%, 0204, E24				
0	R 3	57.60.1221	1 pce	220R	MF, 1%, 0204, E24				
0	R 4	57.60.1221	1 pce	220R	MF, 1%, 0204, E24				
0	R 5	57.60.1101	1 pce	100R	MF, 1%, 0204, E24				
0	R 6	57.60.1221	1 pce	220R	MF, 1%, 0204, E24				
0	R 7	57.60.1221	1 pce	220R	MF, 1%, 0204, E24				
0	R 8	57.60.1101	1 pce	100R	MF, 1%, 0204, E24				
0	R 9	57.60.1221	1 pce	220R	MF, 1%, 0204, E24				
0	R 10	57.60.1221	1 pce	220R	MF, 1%, 0204, E24				
0	R 11	57.60.1101	1 pce	100R	MF, 1%, 0204, E24				
0	R 12	57.60.1221	1 pce	220R	MF, 1%, 0204, E24				

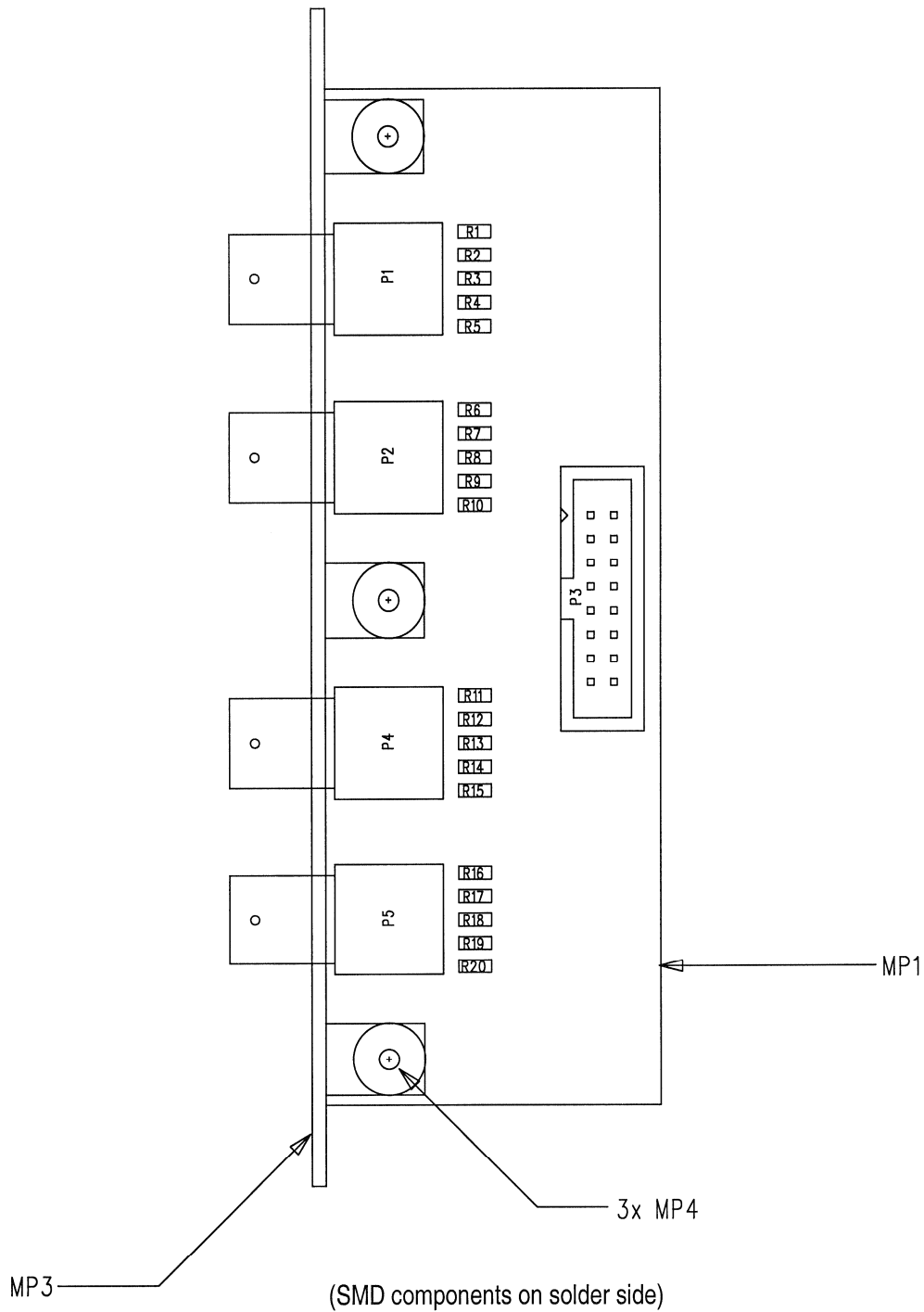
End of List

Connection Unit 4 × BNC (AES/EBU Out) 1.940.642.00 (0)



18.10.2001		RG	
Date:	Dotum:	Via:	Gez.:
Index:	0	Page:	1 / 1
Index:		Seite:	
Number:	SC 1.940.642.00		

Connection Unit 4 × BNC (AES/EBU Out) 1.940.642.00 (0)



Accompanying documents: Zugehörige Unterlagen:		PL	General tolerance: Freimastoleranz:	.	Scale: Maßstab:	18.10.2001 Date: Datum:	ZT Visa: Gez.:	ML Checked: Gepr.:	HW Seen: Geseh.:
						Index: Index:	0	Page: Seite:	1 / 1
STUDER		CONNECTION BNC AES0 FOR CORE				Number: Nummer:	1.940.642.00		

Connection Unit 4 × BNC (AES/EBU Out) 1.940.642.00 (0)

Idx. Pos.	Part No.	Qty.	Type/Val.	Description	Idx. Pos.	Part No.	Qty.	Type/Val.	Description
0	MP 1	1.940.642.11	1 pce	CONNECTION BNC AESO PCB					
0	MP 2	1.940.642.10	1 pce	NR-ETIKETTE 5 * 20					
0	MP 3	1.940.611.01	1 pce	Rückwand BNC					
0	MP 4	28.31.0005	3 pcs	BLINDNIETE, D 3.2* 6.1					
0	P 1	54.21.2031	1 pce	BNC J 1 POL PRINT/WINKEL BNC					
0	P 2	54.21.2031	1 pce	BNC J 1 POL PRINT/WINKEL BNC					
0	P 3	54.14.2002	1 pce	16p 1/20" Au, gerade, ohne Verrieg					
0	P 4	54.21.2031	1 pce	BNC J 1 POL PRINT/WINKEL BNC					
0	P 5	54.21.2031	1 pce	BNC J 1 POL PRINT/WINKEL BNC					
0	R 1	57.60.1560	1 pce	56R MF, 1%, 0204, E24					
0	R 2	57.60.1221	1 pce	220R MF, 1%, 0204, E24					
0	R 3	57.60.1470	1 pce	47R MF, 1%, 0204, E24					
0	R 4	57.60.1121	1 pce	120R MF, 1%, 0204, E24					
0	R 5	57.60.1000	1 pce	0R0 MF, 0204					
0	R 6	57.60.1121	1 pce	120R MF, 1%, 0204, E24					
0	R 7	57.60.1470	1 pce	47R MF, 1%, 0204, E24					
0	R 8	57.60.1221	1 pce	220R MF, 1%, 0204, E24					
0	R 9	57.60.1560	1 pce	56R MF, 1%, 0204, E24					
0	R 10	57.60.1000	1 pce	0R0 MF, 0204					
0	R 11	57.60.1560	1 pce	56R MF, 1%, 0204, E24					
0	R 12	57.60.1221	1 pce	220R MF, 1%, 0204, E24					
0	R 13	57.60.1470	1 pce	47R MF, 1%, 0204, E24					
0	R 14	57.60.1121	1 pce	120R MF, 1%, 0204, E24					
0	R 15	57.60.1000	1 pce	0R0 MF, 0204					
0	R 16	57.60.1560	1 pce	56R MF, 1%, 0204, E24					
0	R 17	57.60.1221	1 pce	220R MF, 1%, 0204, E24					
0	R 18	57.60.1470	1 pce	47R MF, 1%, 0204, E24					
0	R 19	57.60.1121	1 pce	120R MF, 1%, 0204, E24					
0	R 20	57.60.1000	1 pce	0R0 MF, 0204					

End of List